

[54] CONCRETE MIXER

[76] Inventor: Robert H. Ross, P.O. Box 70, Brownwood, Tex. 76804

[\*\*] Term: 14 Years

[21] Appl. No.: 440,753

[22] Filed: Nov. 24, 1989

[52] U.S. Cl. .... D15/19

[58] Field of Search ..... D15/10, 19; 366/44, 366/47, 54, 60, 62, 63

3,612,490 10/1971 Bopp et al. .... 366/18

OTHER PUBLICATIONS

Domus 602, Jan. 1980, p. 46, mixer in center.

Primary Examiner—Bernard Ansher

Assistant Examiner—Sandra Morris

[57] CLAIM

The ornamental design for a concrete mixer, as shown and described.

DESCRIPTION

FIG. 1 is a left side view of a concrete mixer, showing my new design, the right side being identical;

FIG. 2 is a top view;

FIG. 3 is a rear end view;

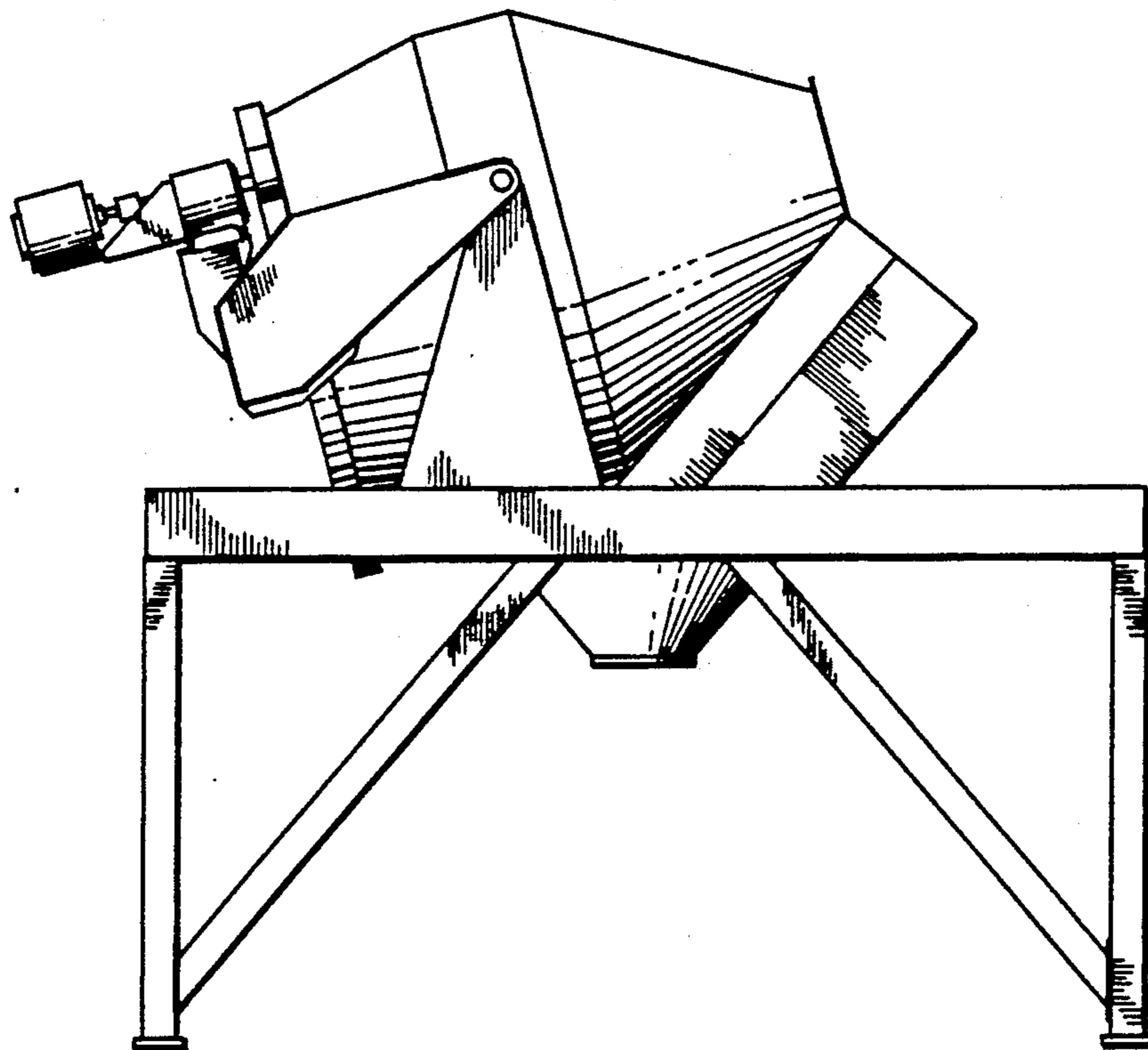
FIG. 4 is a front end view;

FIG. 5 is a left side view thereof, shown in a tilt position.

[56] References Cited

U.S. PATENT DOCUMENTS

D. 246,715	12/1977	Clement	.....	D15/4
D. 256,800	9/1980	Deen	.....	D15/4
D. 278,150	3/1985	Burenga	.....	D15/19
D. 299,722	2/1989	Mehr	.....	D15/19
2,805,053	9/1957	Smith	.....	366/44



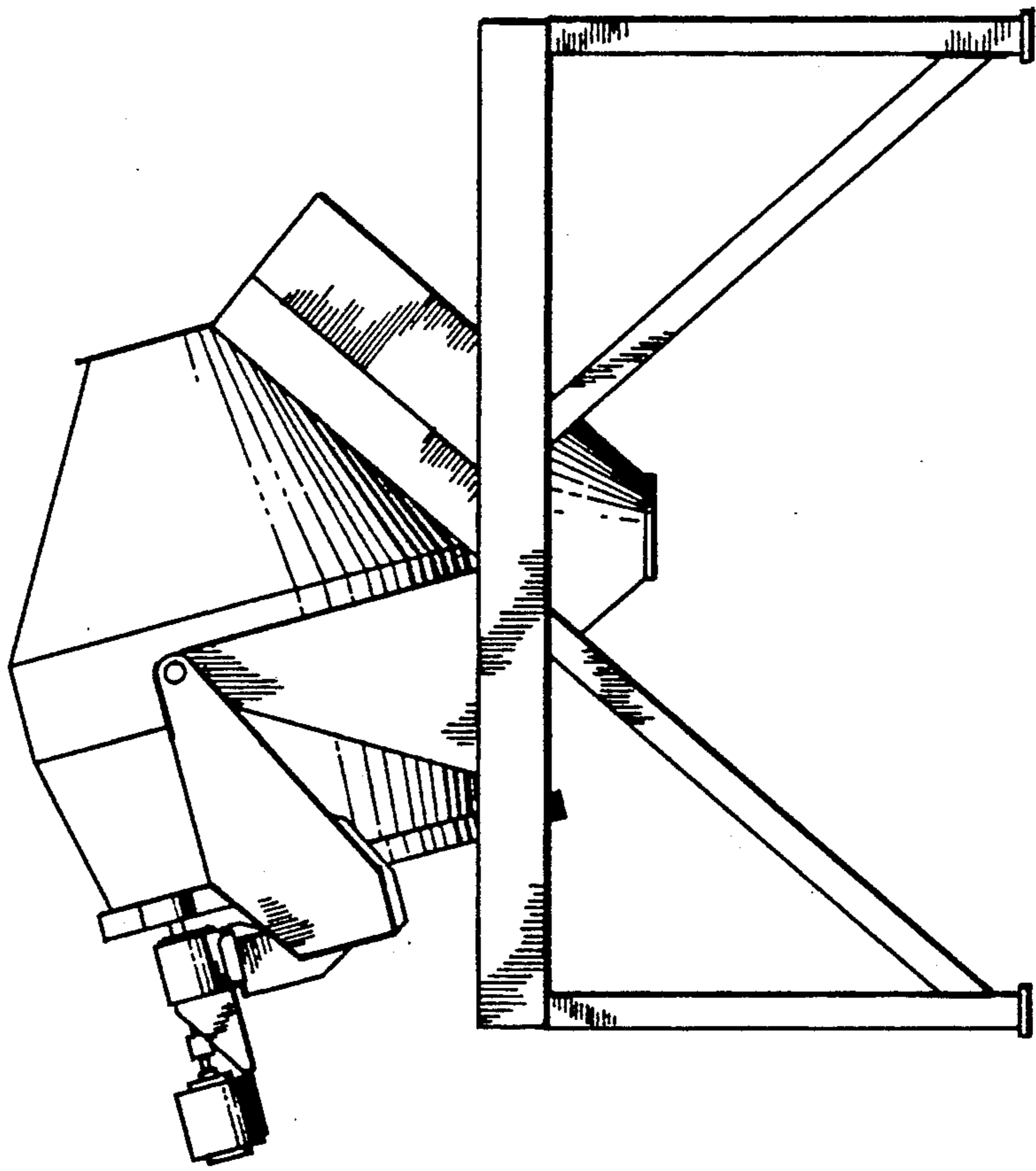


FIG. 1

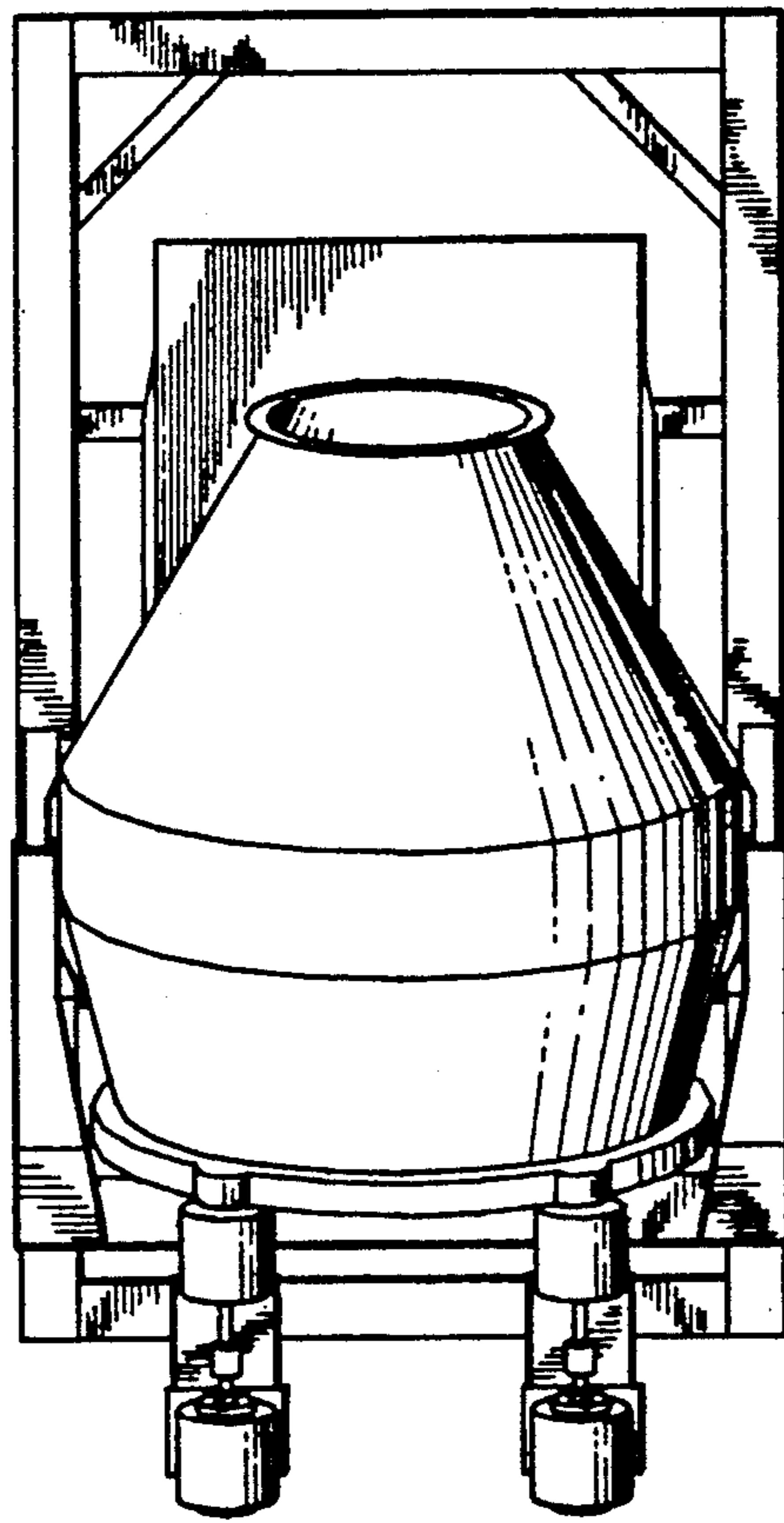


FIG. 2

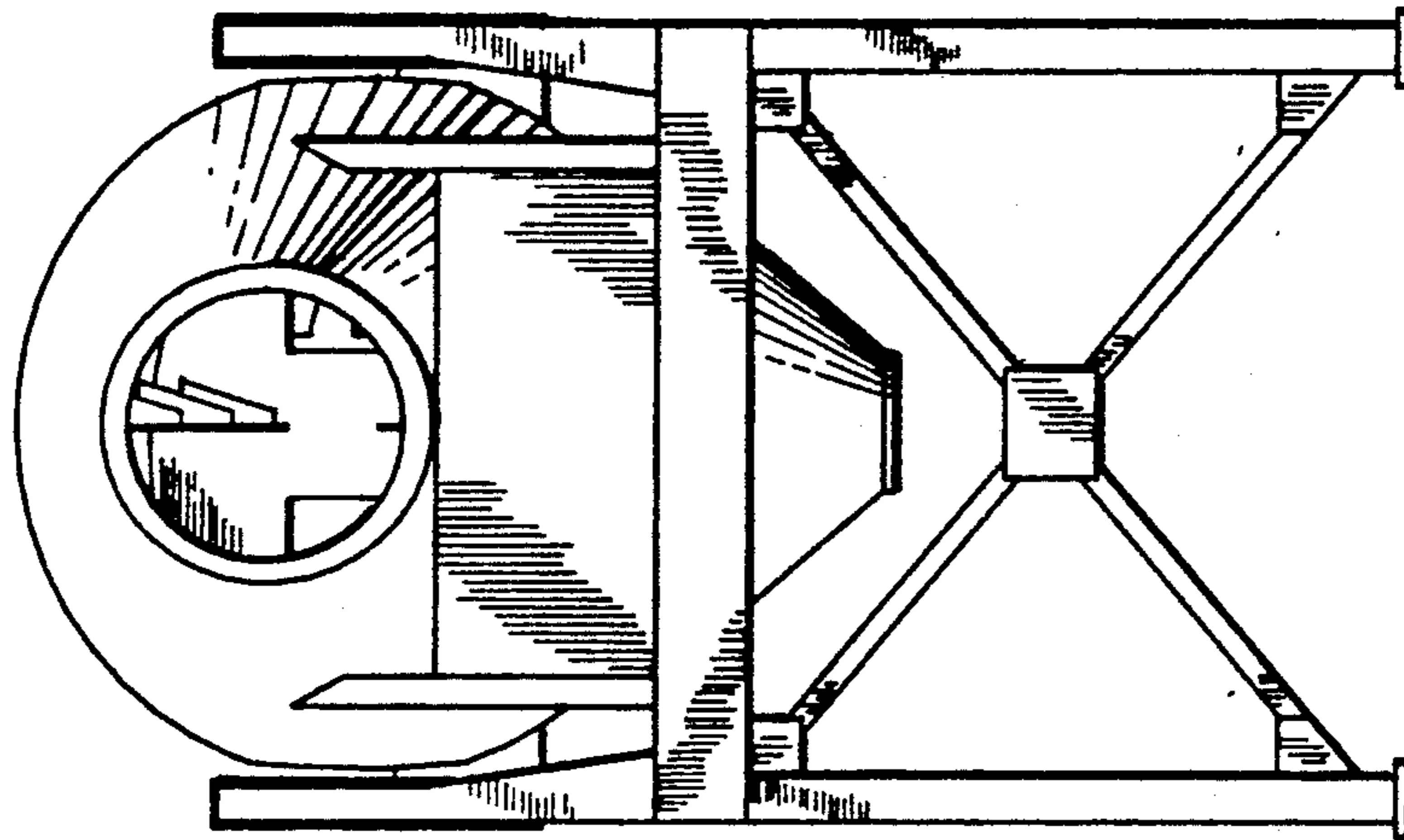


FIG. 3

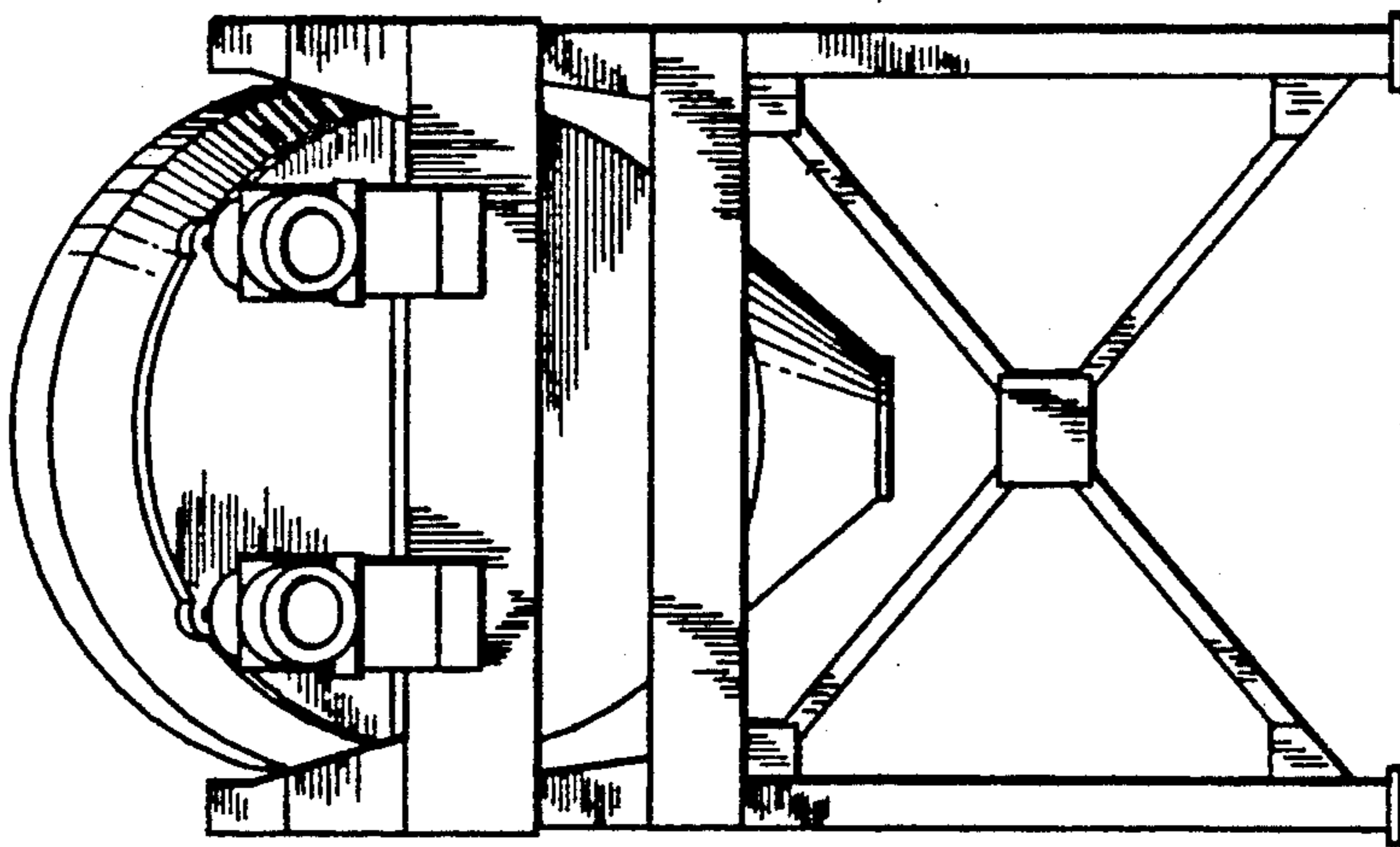


FIG. 4

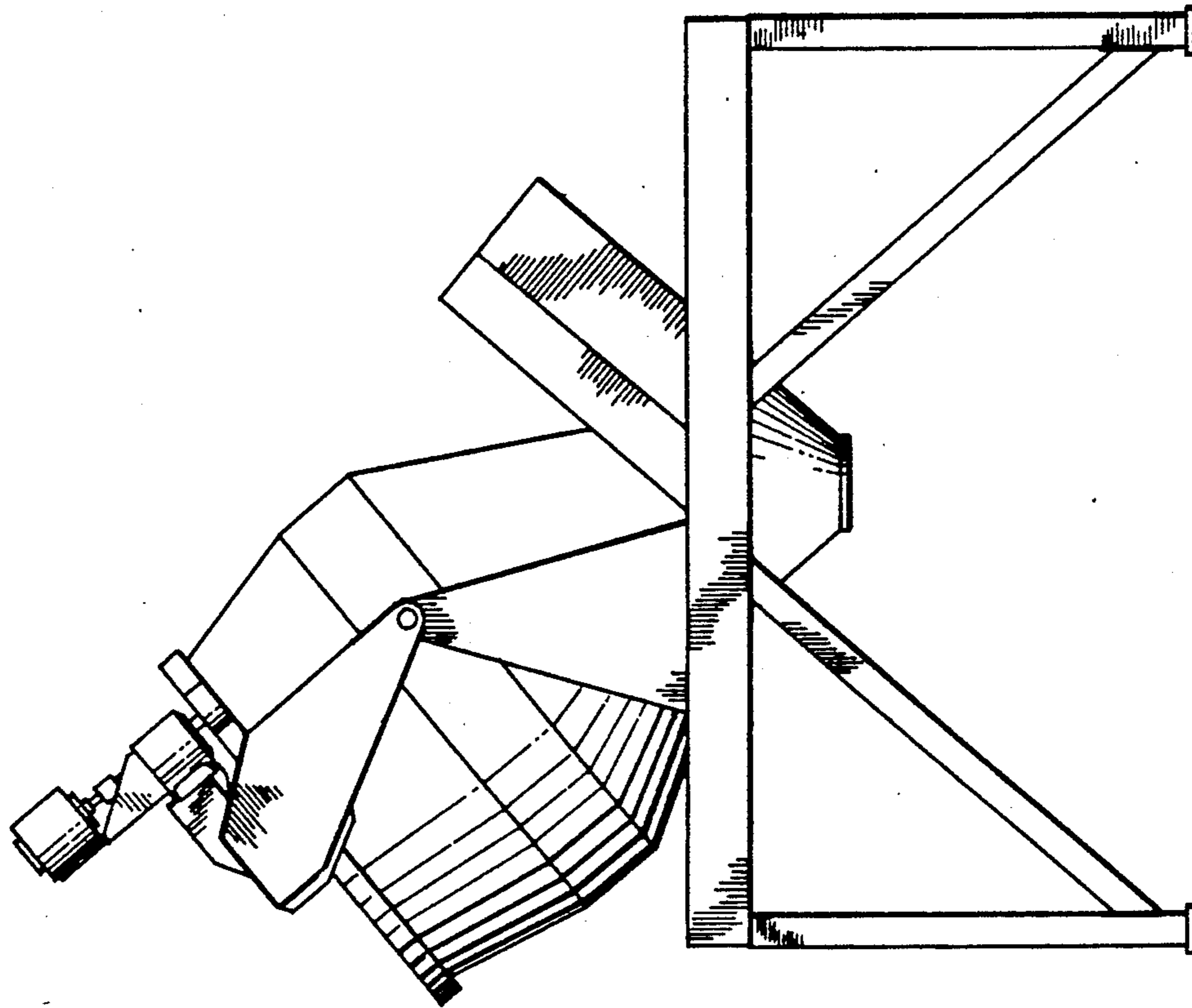


FIG. 5