

[54] TELEPHONE BASE

[76] Inventor: Hok L. Hung, Unit 13, 13/F.,  
Thriving Industrial Centre, 26-38  
Sha Tsui Road, Tsuen Wan,  
Kowloon, Hong Kong

[\*\*] Term: 14 Years

[21] Appl. No.: 625,976

[22] Filed: Dec. 11, 1990

[52] U.S. Cl. .... D14/142; D14/151

[58] Field of Search ..... D14/151, 140, 144;  
379/432, 436, 418, 419

[56] References Cited

U.S. PATENT DOCUMENTS

- |            |         |                       |         |
|------------|---------|-----------------------|---------|
| D. 286,876 | 11/1986 | Nogas et al. ....     | D14/151 |
| D. 287,489 | 12/1986 | Sekiguchi et al. .... | D14/151 |
| D. 291,308 | 8/1987  | Preussner et al. .... | D14/151 |

- |            |         |                       |         |
|------------|---------|-----------------------|---------|
| D. 293,571 | 1/1988  | Büchin .....          | D14/151 |
| D. 301,338 | 5/1989  | Sato et al. ....      | D14/151 |
| D. 303,115 | 5/1989  | Hart et al. ....      | D14/151 |
| D. 305,025 | 12/1989 | Iinu .....            | D14/151 |
| D. 306,726 | 3/1990  | Takatsuka et al. .... | D14/140 |
| D. 308,059 | 5/1990  | Desbarats .....       | D14/144 |

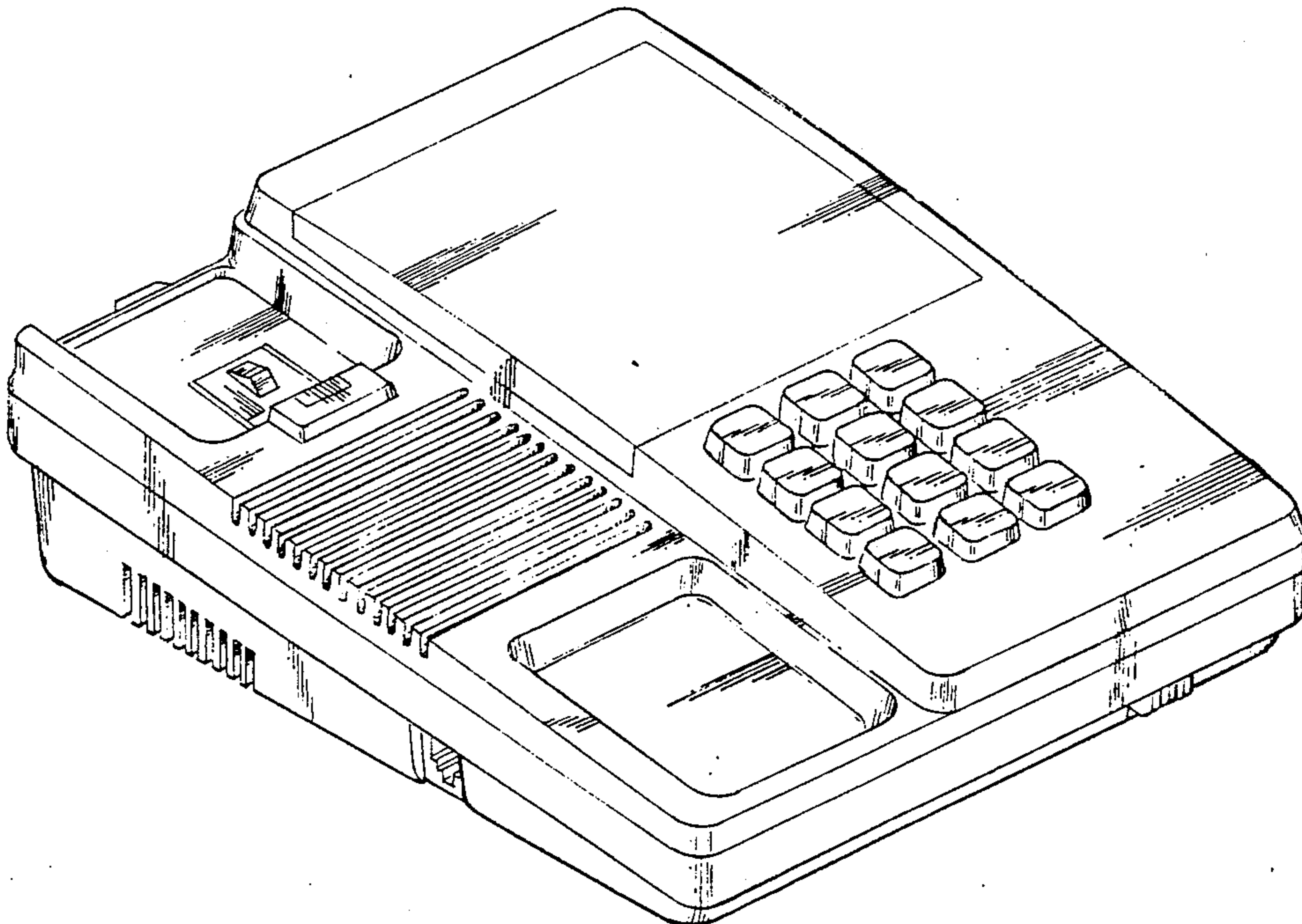
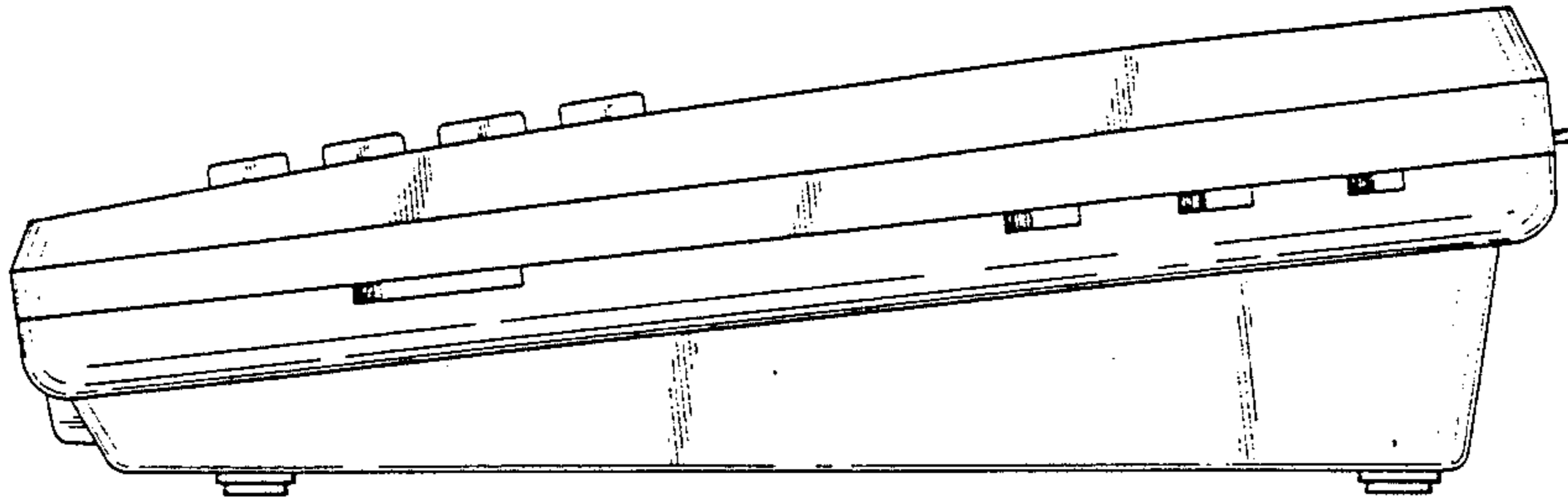
Primary Examiner—Horace B. Fay, Jr.  
Attorney, Agent, or Firm—Kalish & Gilster

[57] CLAIM

The ornamental design for a telephone base, as described and shown.

DESCRIPTION

FIGS. 1 and 2 are respectively top and bottom plan views of a telephone base showing my new design; FIGS. 3 and 4 are respectively left and right side elevational view thereof; FIGS. 5 and 6 are respectively front and rear elevational views thereof; and FIG. 7 is a left side and front perspective view thereof.



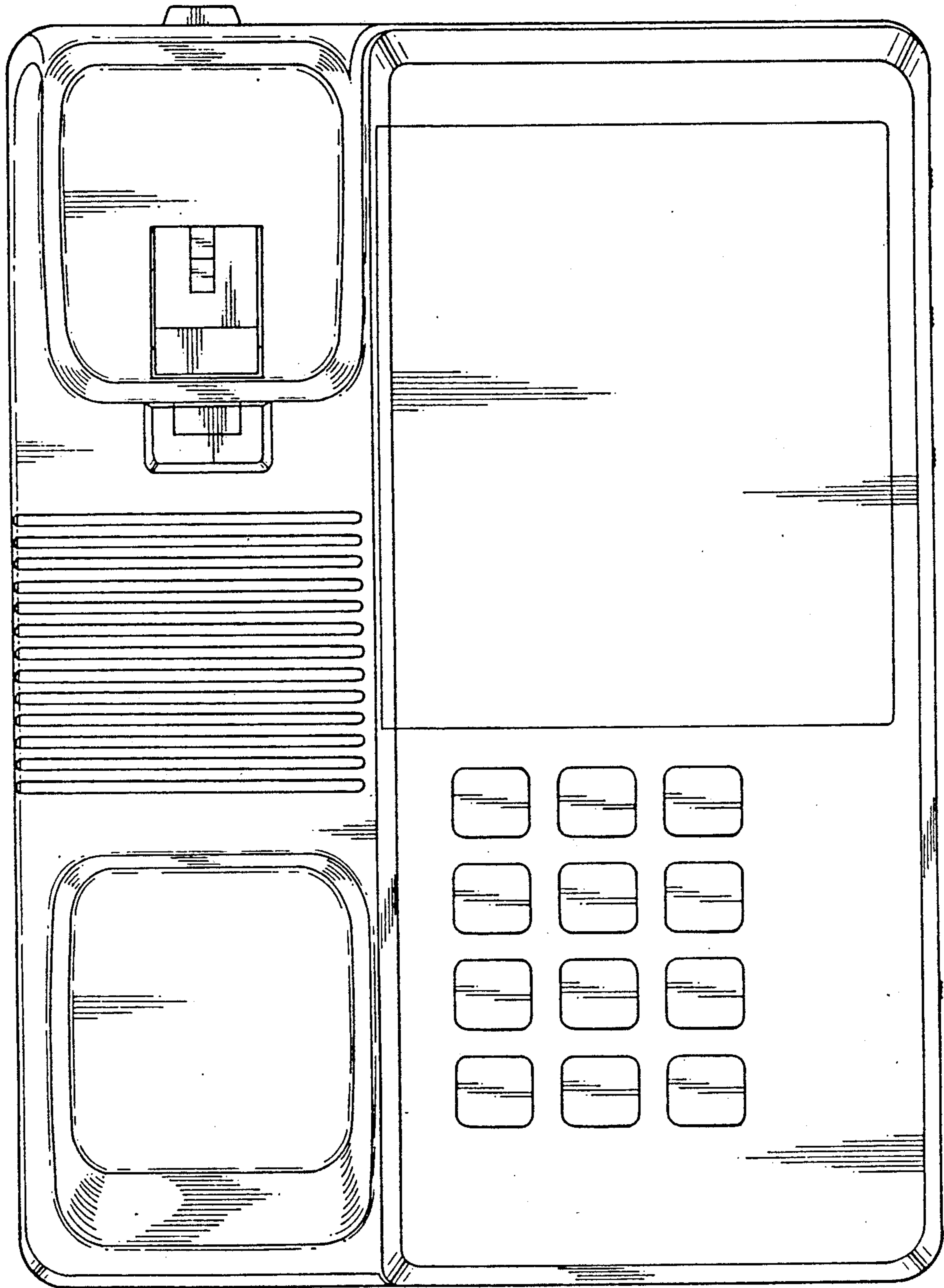


FIG. 1

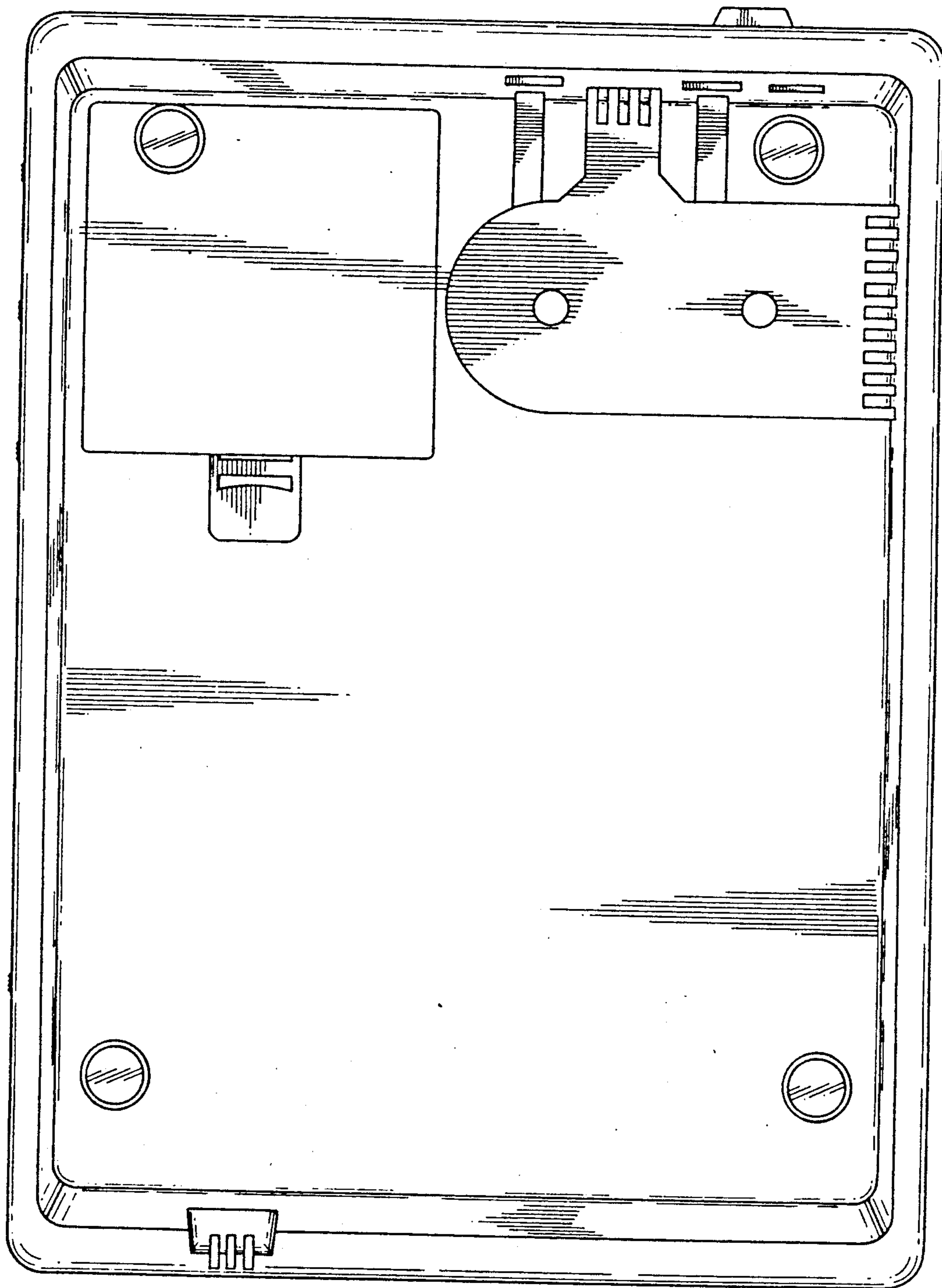


FIG. 2

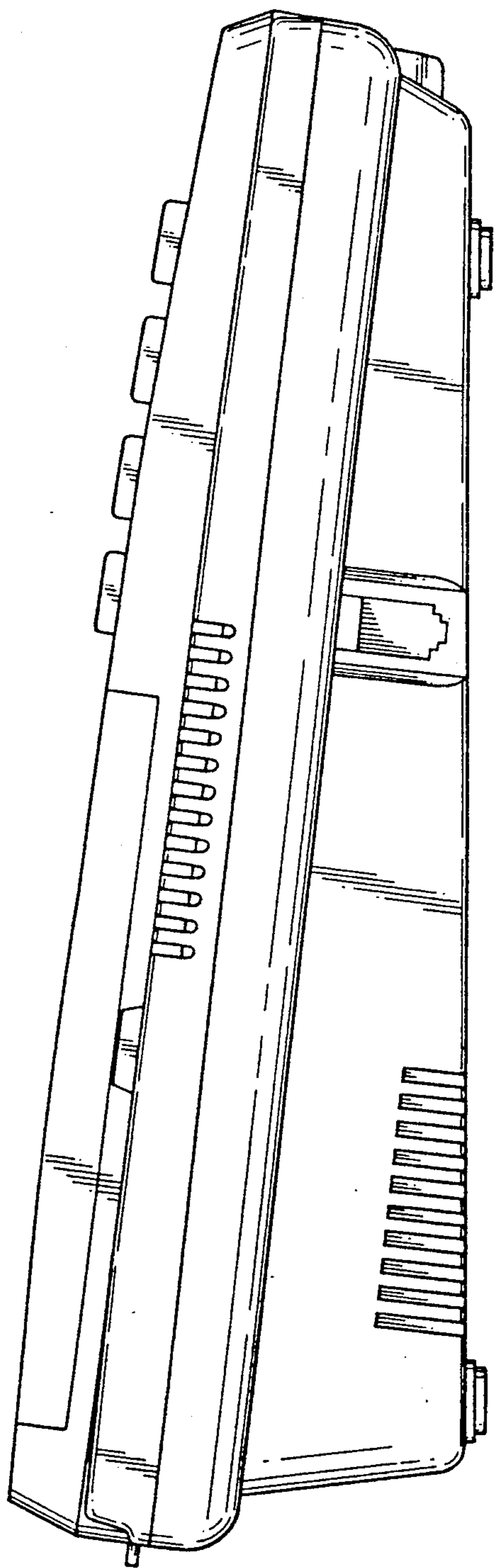


FIG. 3

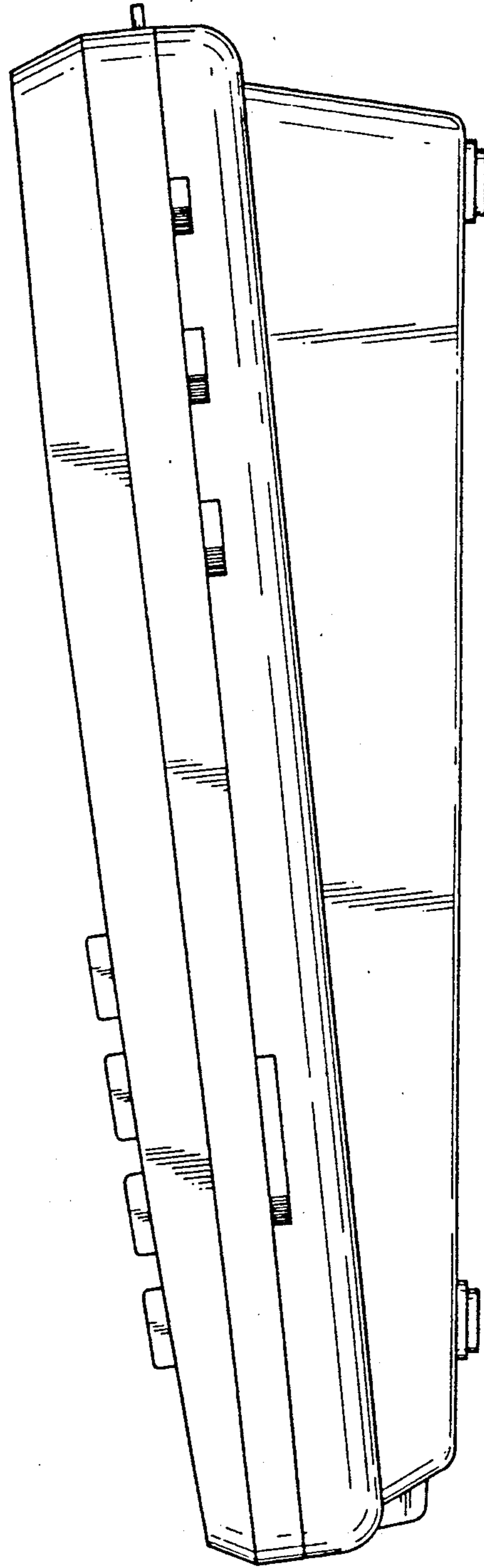


FIG. 4

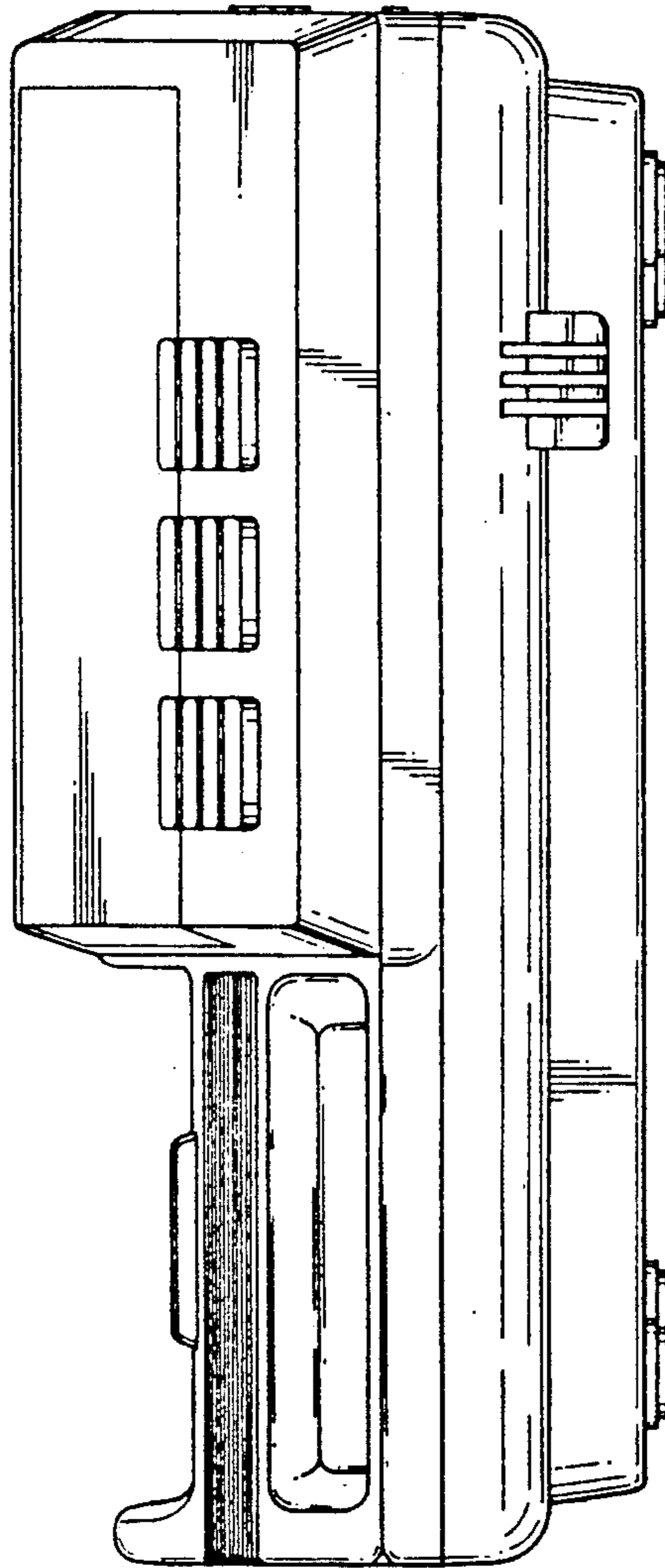


FIG. 5

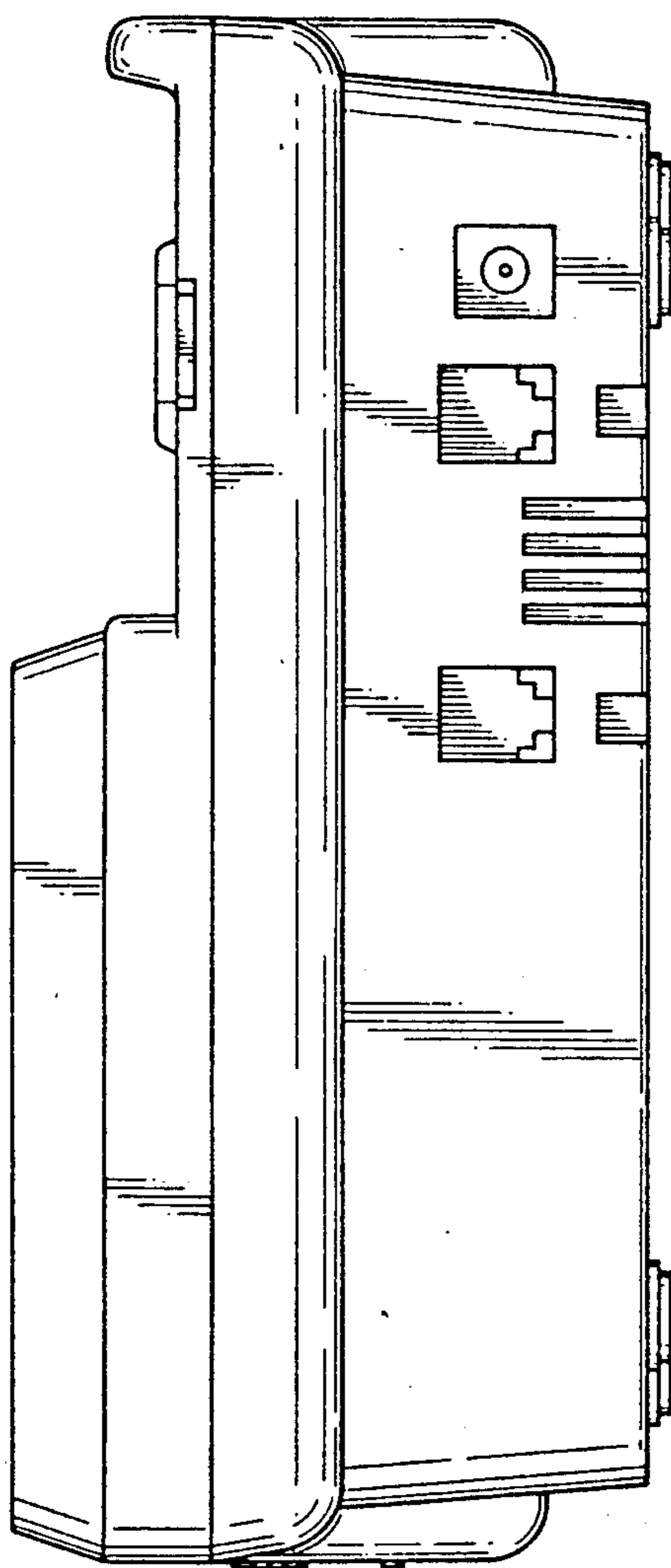


FIG. 6

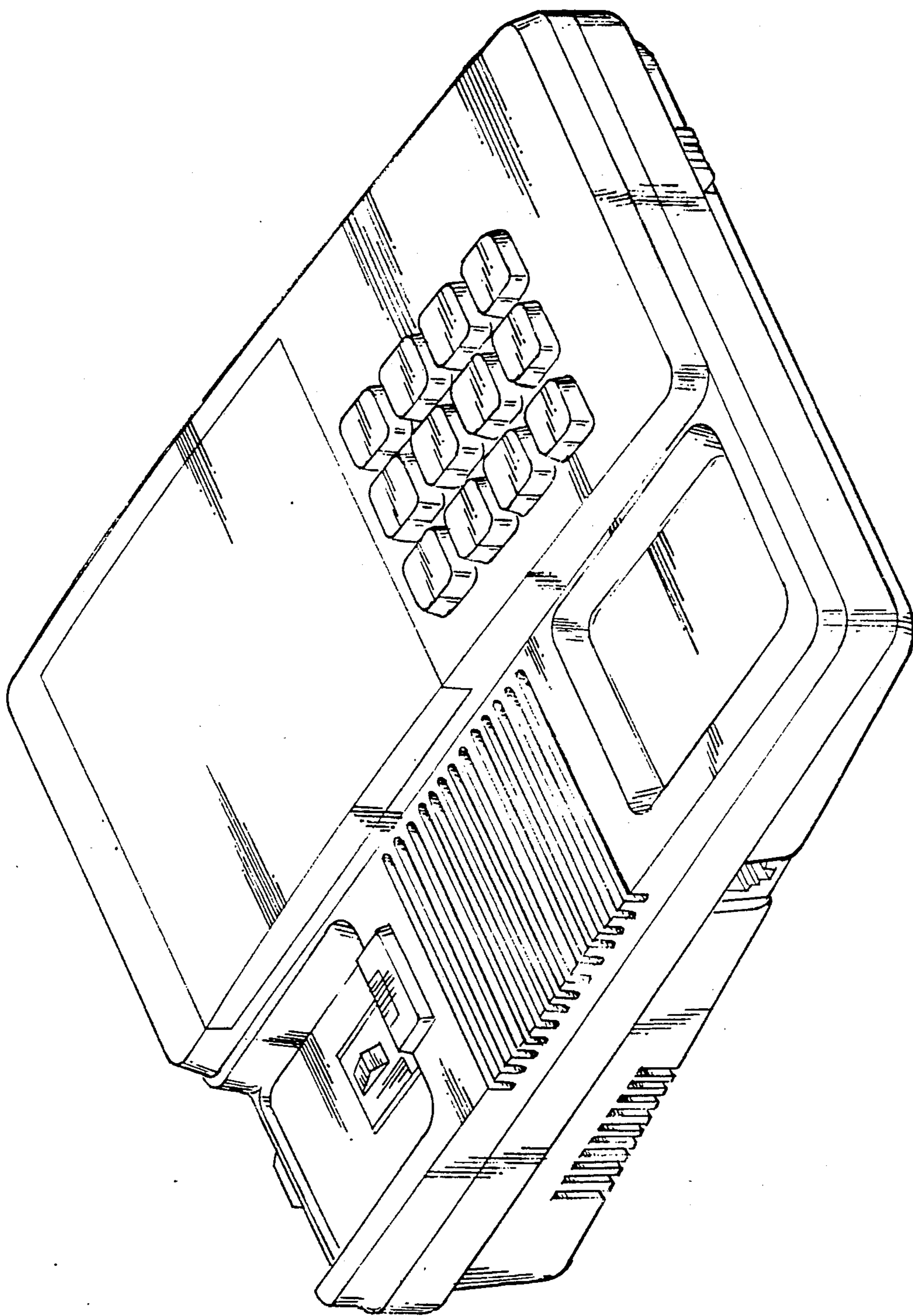


FIG. 7