

United States Patent [19]

Andrew

[11] Patent Number: **Des. 319,825**

[45] Date of Patent: **** Sep. 10, 1991**

[54] **CREDIT CARD READER**

[75] Inventor: **Rodger J. Andrew, Winborne, England**

[73] Assignee: **Landis & Gyr Communications (U.K.) Ltd., England**

[**] Term: **14 Years**

[21] Appl. No.: **334,014**

[22] Filed: **Apr. 6, 1989**

[30] **Foreign Application Priority Data**

Oct. 7, 1988 [GB] United Kingdom 1054123

[52] U.S. Cl. **D14/116**

[58] Field of Search D14/100, 105, 107, 114, D14/116; D8/99; 235/380, 441, 454, 455, 463, 462, 479, 381, 470-475, 482, 487; 250/203.1, 239, 566, 568, 569; 358/407, 408, 473, 474, 479; 354/80-82; 355/231, 233; 382/58, 59, 62, 63, 65; D26/45

[56] **References Cited**

U.S. PATENT DOCUMENTS

D. 201,913 8/1965 Raymond D26/45 X
D. 207,552 5/1967 Perkins et al. D26/45 X

D. 251,560 4/1979 Smith et al. D14/116
D. 276,850 12/1984 McCollum D26/45 X
D. 298,630 11/1988 Sellars, Jr. et al. D14/116
D. 305,885 2/1990 Barkan et al. D14/116
3,673,416 6/1972 Berler 235/454 X
4,210,802 7/1980 Sakai 235/462 X
4,841,129 6/1989 Tawara et al. 235/454 X
4,845,350 7/1989 Shepard et al. 250/566 X
4,896,026 1/1990 Krichever et al. 235/455 X

Primary Examiner—Susan J. Lucas
Assistant Examiner—Freda S. Nunn
Attorney, Agent, or Firm—Sughrue, Mion, Zinn, Macpeak & Seas

[57] **CLAIM**

The ornamental design for a credit card reader, as shown and described.

DESCRIPTION

FIG. 1 is a top, front, right side perspective view of a credit card reader showing my new design;
FIG. 2 is an enlarged right side elevational view thereof;
FIG. 3 is an enlarged top plan view thereof;
FIG. 4 is an enlarged rear elevational view thereof.
The opposite side elevational view and the bottom plan view are flat and unornamented.

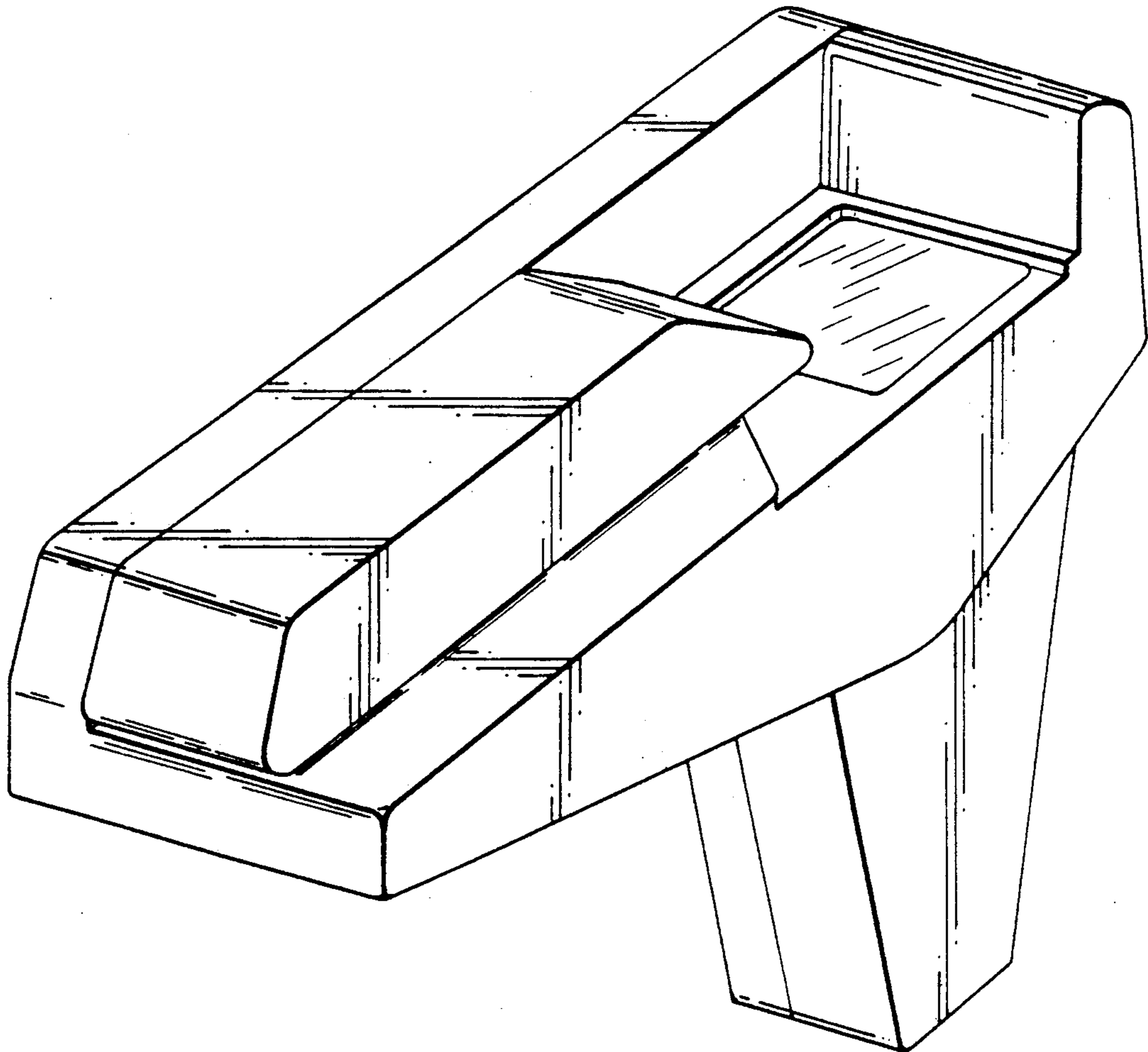
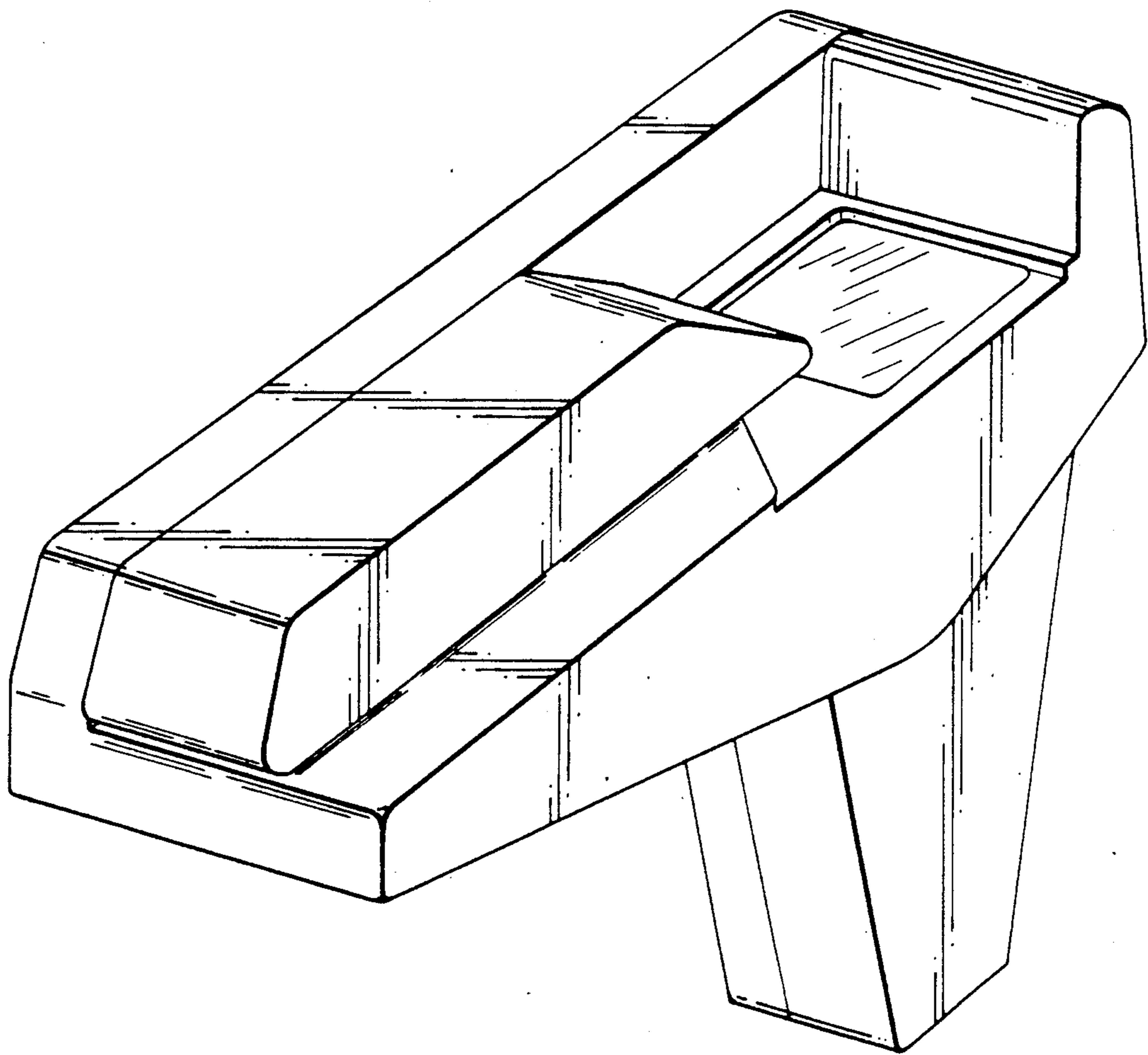


FIG. 1



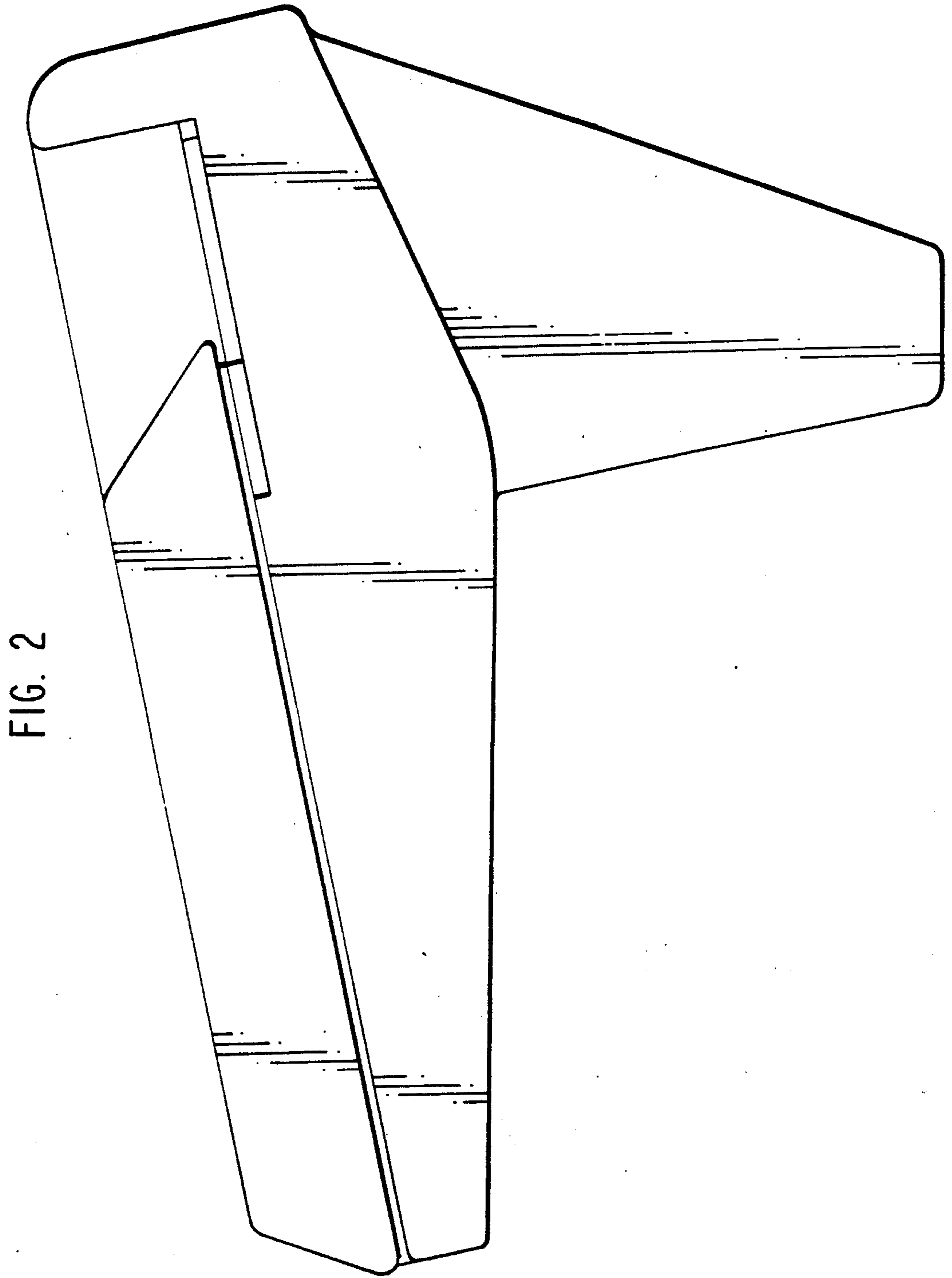


FIG. 2

FIG. 3

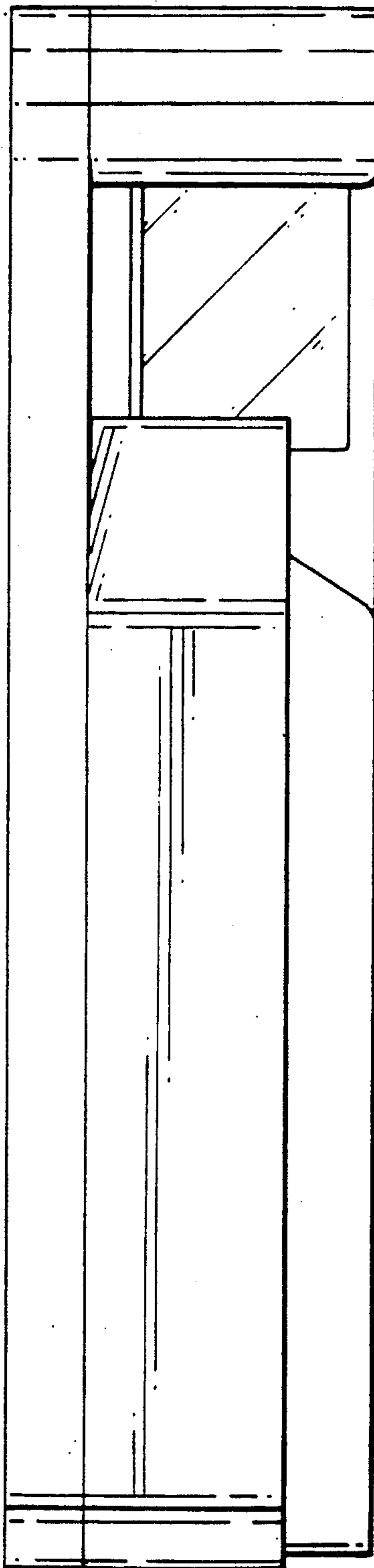


FIG. 4

