

[54] CARTRIDGE FOR HAND-HELD ELECTRONIC GAME

[75] Inventor: Shin Kojo, Kyoto, Japan

[73] Assignee: Nintendo Co., Ltd., Japan

[**] Term: 14 Years

[21] Appl. No.: 376,283

[22] Filed: Jul. 5, 1989

[30] Foreign Application Priority Data

Jan. 6, 1989 [JP] Japan 1-200

[52] U.S. Cl. D14/114

[58] Field of Search D14/100, 114, 121, 99; 206/323, 244; 360/97-99, 132, 133; 273/148 B, 1 GC, 1 E, DIG. 28, 138 A, 237

[56] References Cited

U.S. PATENT DOCUMENTS

D. 248,470	7/1978	Talesfore	D14/114
D. 269,087	5/1983	Nishi	D14/114
D. 272,342	1/1984	Cheng	D14/114
D. 280,413	9/1985	Grimes	D14/114
D. 281,504	11/1985	Davis et al.	D14/114
D. 294,020	2/1988	Yukawa	D14/114
4,149,027	4/1979	Asher et al.	D14/114 X
4,865,321	9/1989	Nakagawa et al.	273/148 B X

Primary Examiner—Wallace R. Burke

Assistant Examiner—Freda S. Numm

Attorney, Agent, or Firm—Nixon & Vanderhye

[57] CLAIM

The ornamental design for a cartridge for a hand-held electronic game, as shown and described.

DESCRIPTION

FIG. 1 is a top, front right side perspective view of a cartridge for hand held electronic game showing my new design;

FIG. 2 is a bottom, rear, left side perspective view thereof;

FIG. 3 is a top plan view thereof;

FIG. 4 is a bottom plan view thereof;

FIG. 5 is a rear elevational view thereof;

FIG. 6 is a front elevational view thereof;

FIG. 7 is a left side elevational view thereof;

FIG. 8 is a right side elevational view thereof;

FIG. 9 is a top, front, right side perspective view of a second embodiment of my design;

FIG. 10 is a bottom, rear, left side perspective view thereof;

FIG. 11 is a top, front, right side perspective view of a third embodiment of my design;

FIG. 12 is a bottom rear, left side perspective view thereof;

FIG. 13 is a top, front, right side perspective view of a fourth embodiment of my design;

FIG. 14 is a bottom, rear, left side perspective view thereof;

FIG. 15 is a top, front, right side perspective view of a fifth embodiment of my design;

FIG. 16 is a top, front, right side perspective view of a sixth embodiment of my design;

FIG. 17 is a top, front, right side perspective view of a seventh embodiment of my design;

FIG. 18 is a top, front, right side perspective view of an eighth embodiment of my design;

FIG. 19 is a top, front, right side perspective view of a ninth embodiment of my design;

FIG. 20 is a bottom, rear, left side perspective view thereof;

FIG. 21 is a top, front, right side perspective view of a tenth embodiment of my design;

FIG. 22 is a bottom, rear, left side perspective view thereof;

FIG. 23 is a top, front, right side perspective view of an eleventh embodiment of my design;

FIG. 24 is a bottom, rear, left side perspective view thereof;

FIG. 25 is a top, front, right side perspective view of a twelfth embodiment of my design;

The undisclosed end, side and bottom of FIGS. 15-18 and 25 are identical to that shown in FIG. 24 of the eleventh embodiment.

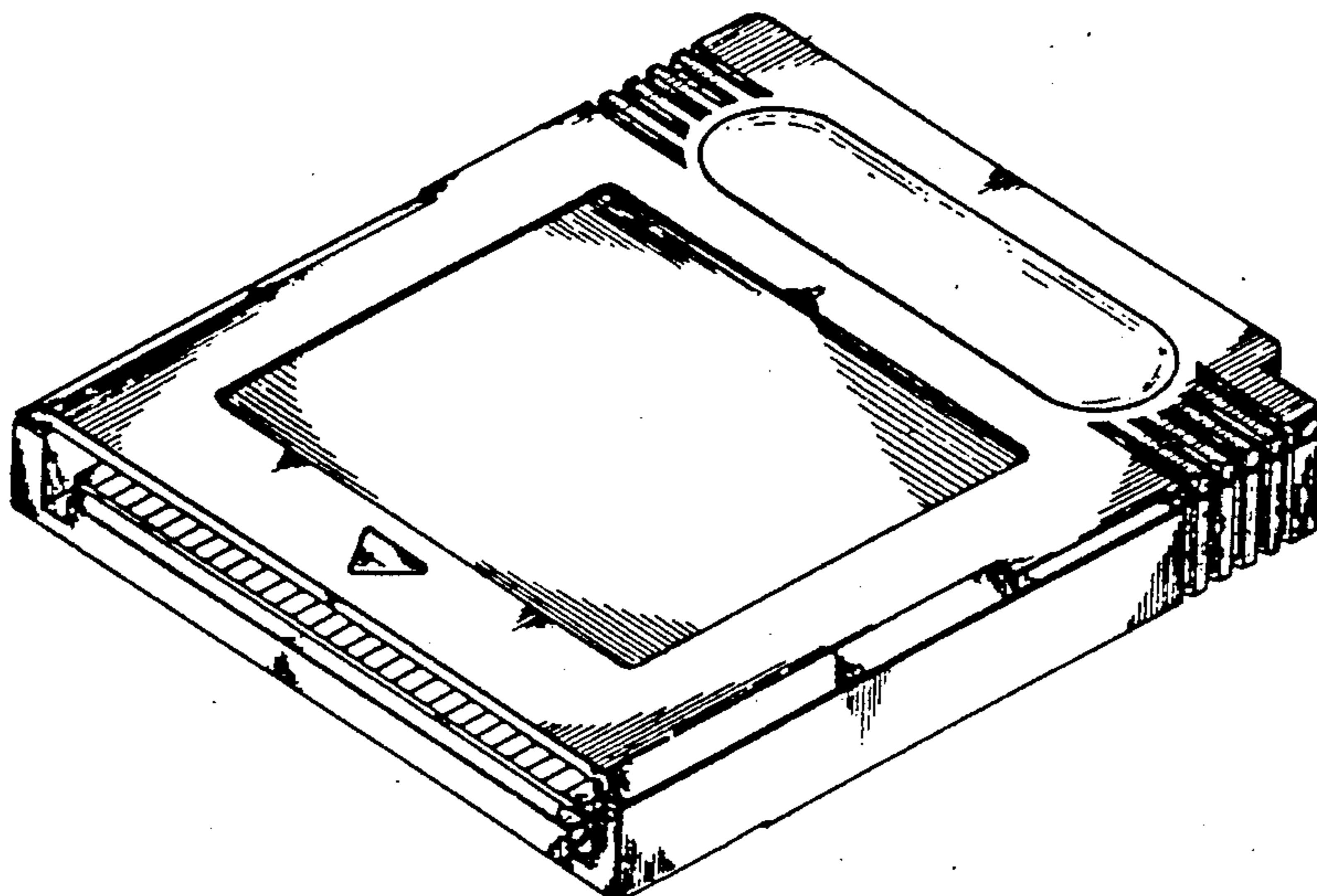


Fig. 1

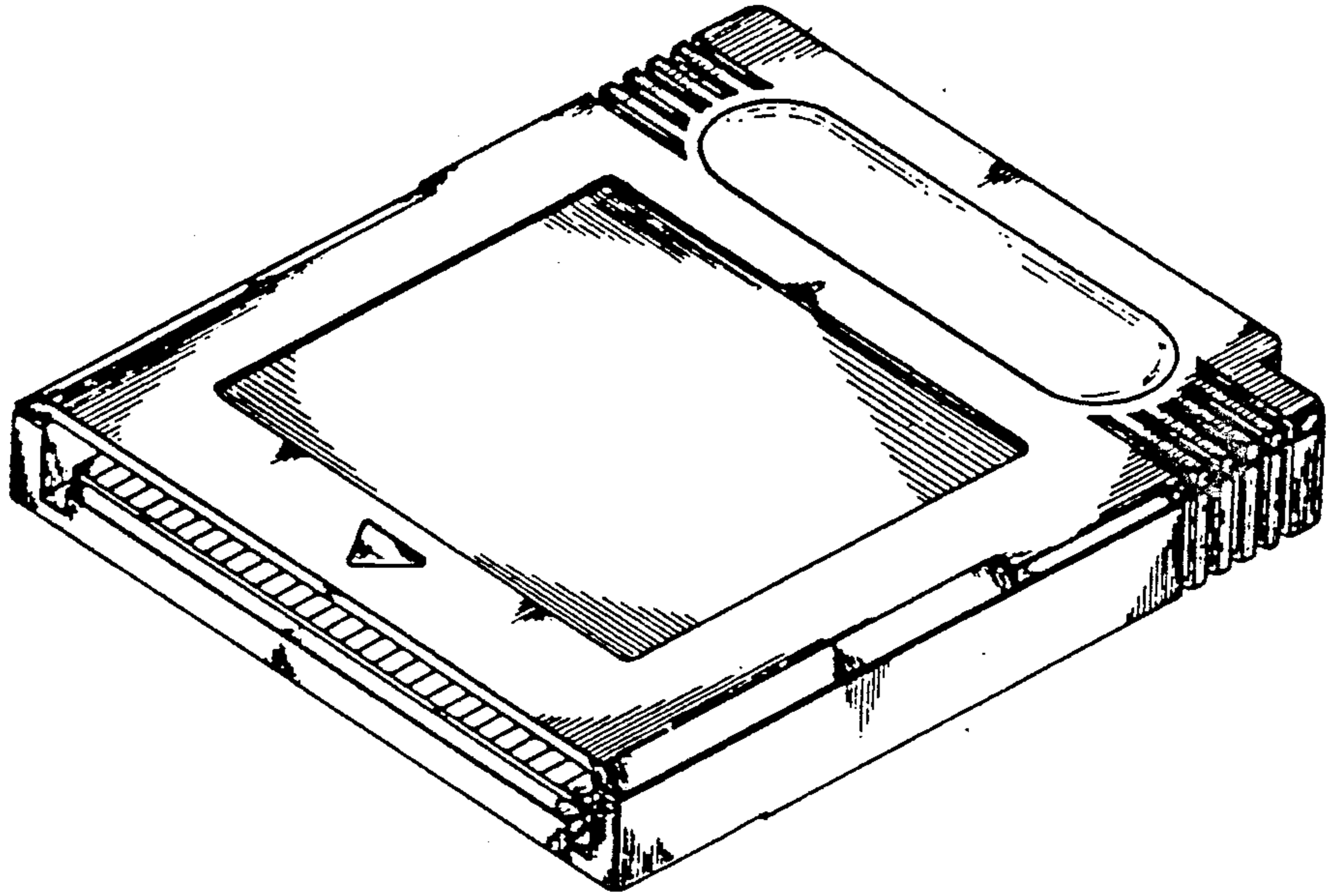


Fig. 2

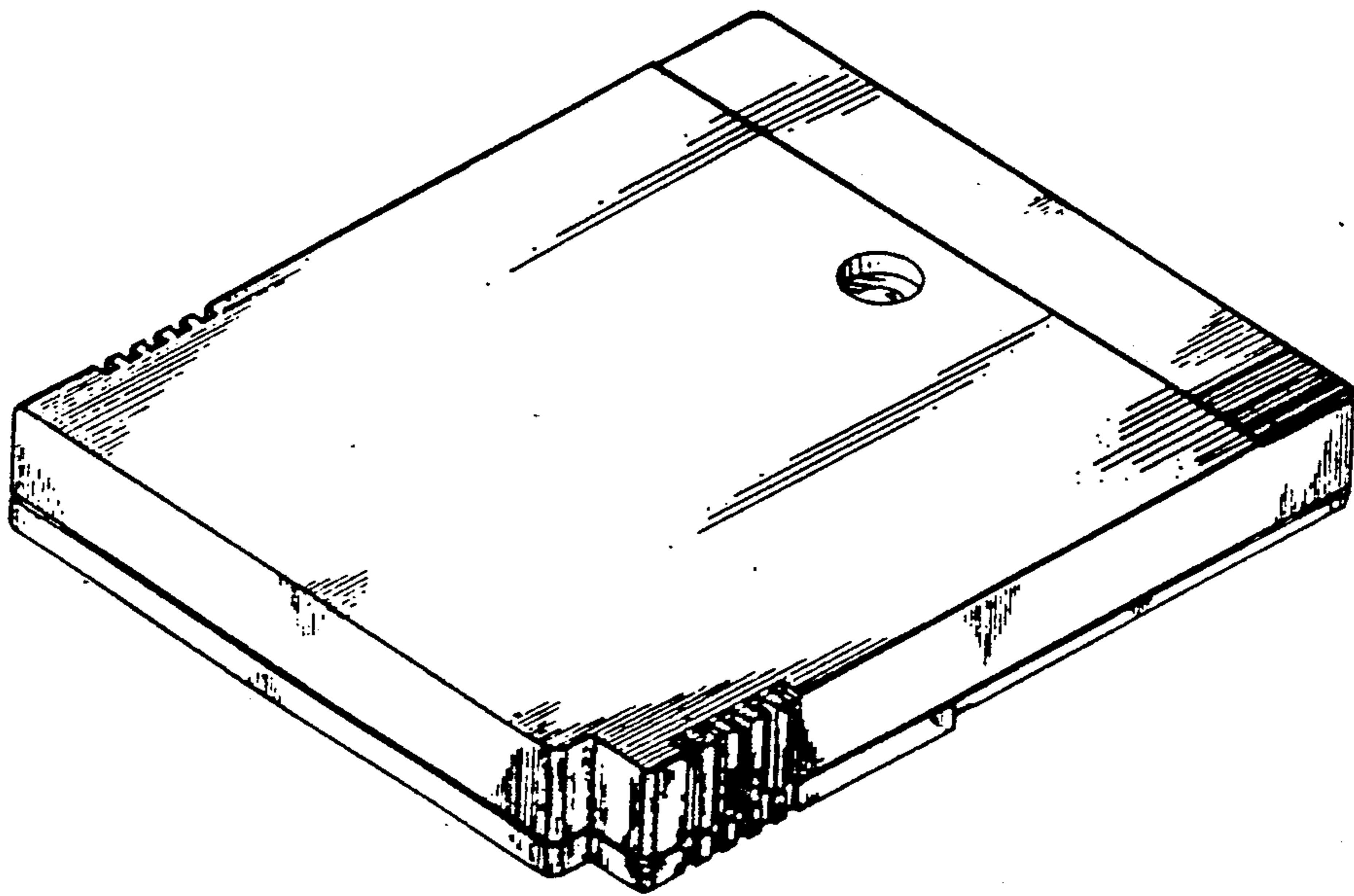


Fig. 3

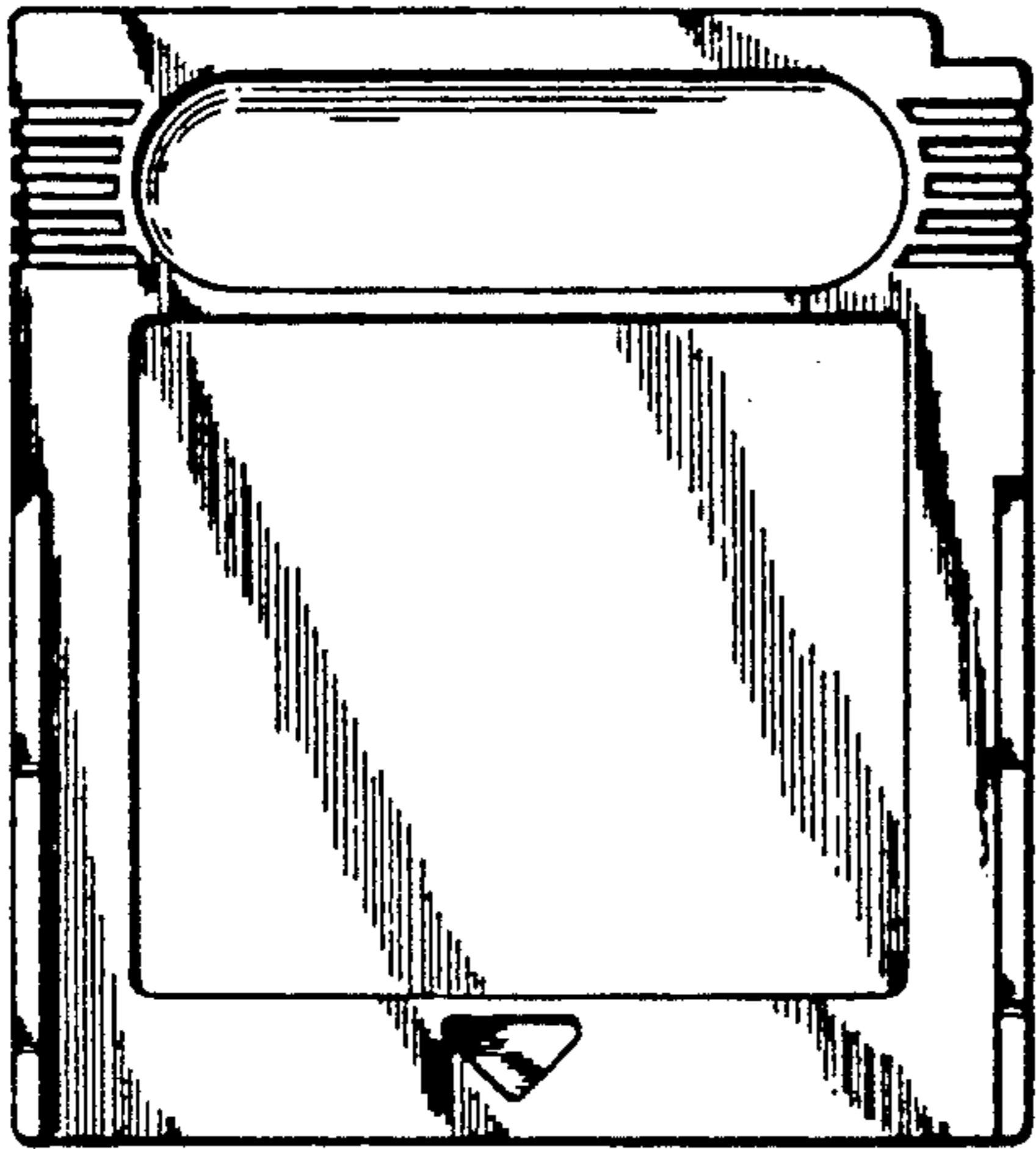


Fig. 4

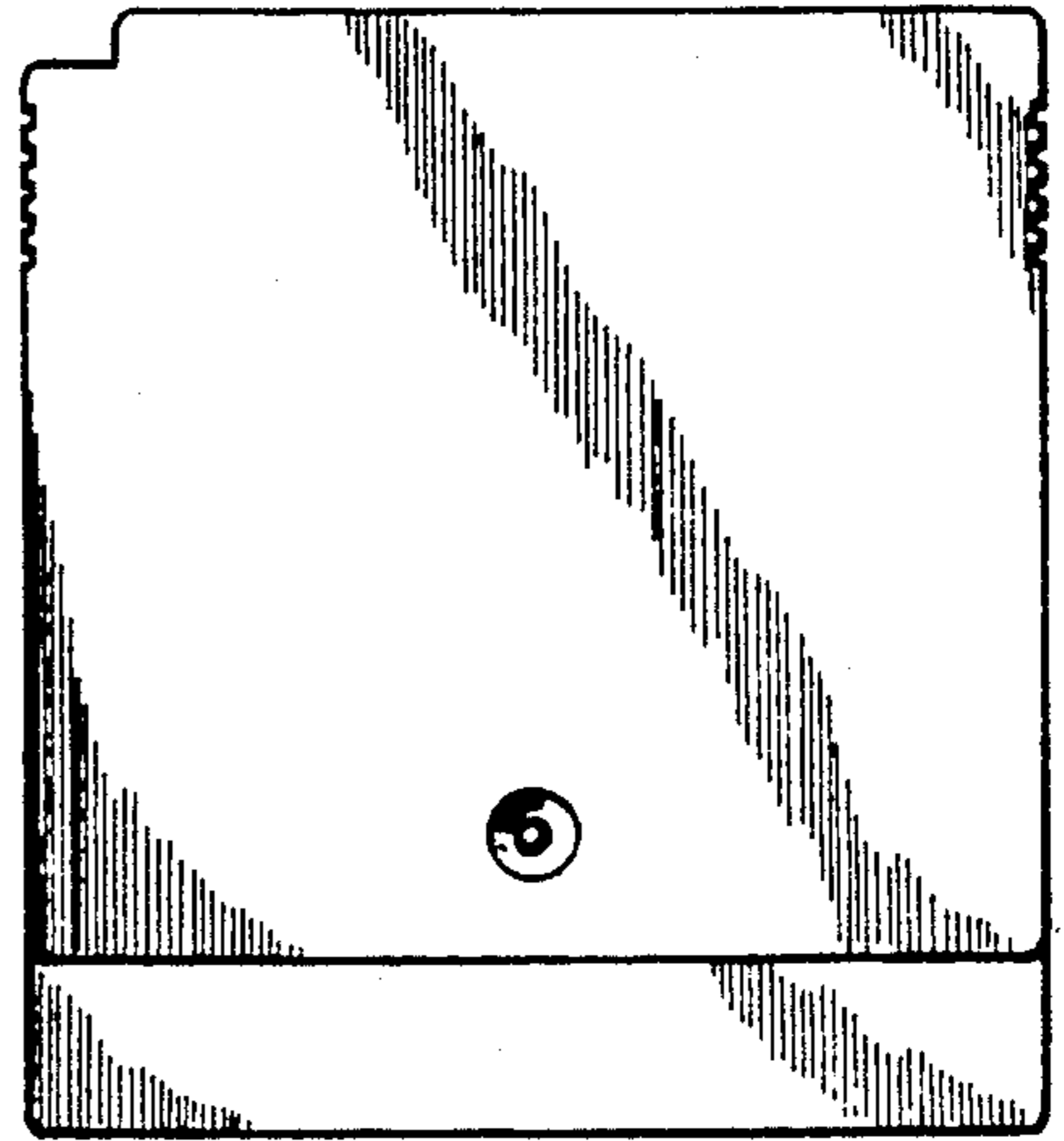


Fig. 7



Fig. 5



Fig. 8



Fig. 6



Fig. 9

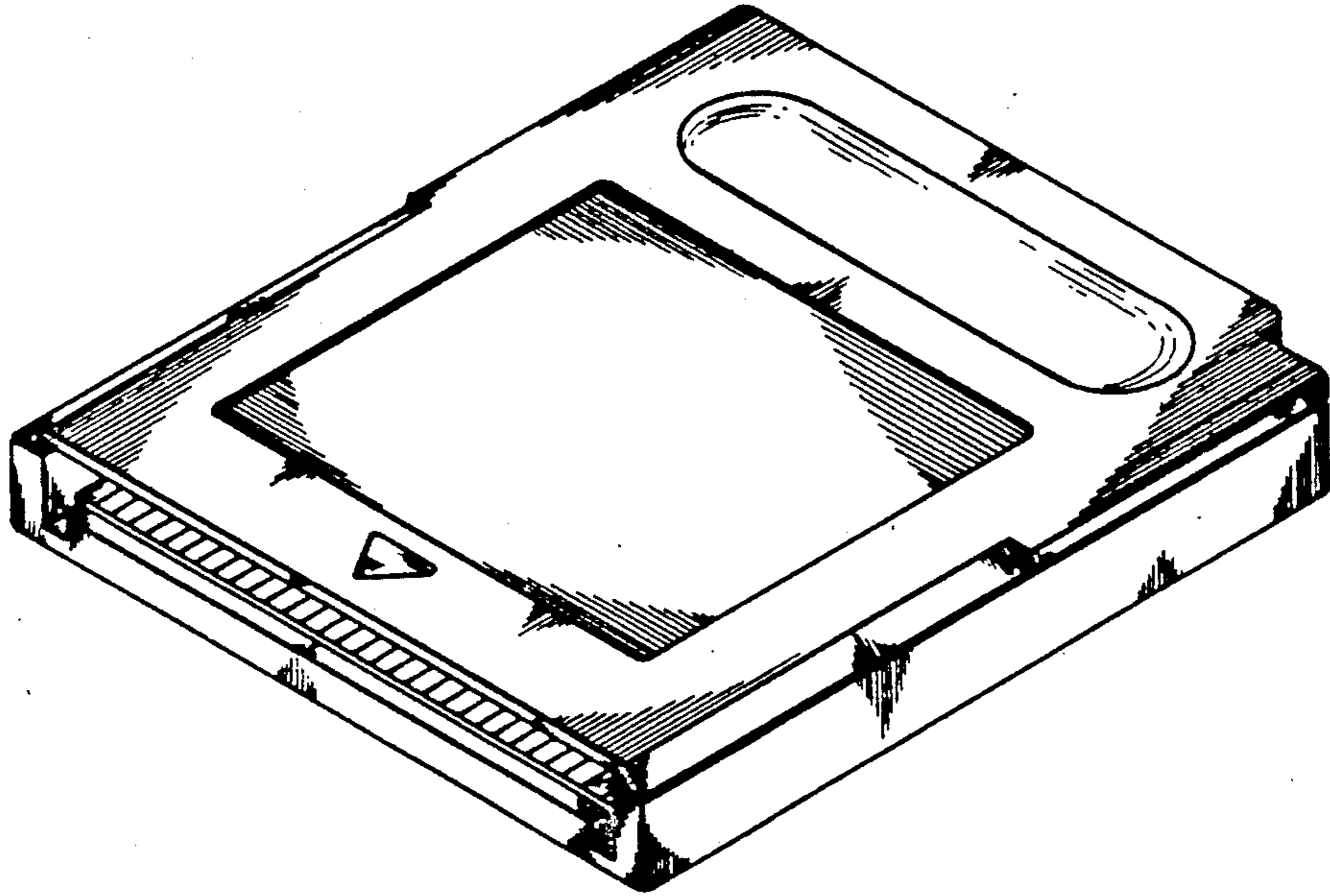


Fig. 10

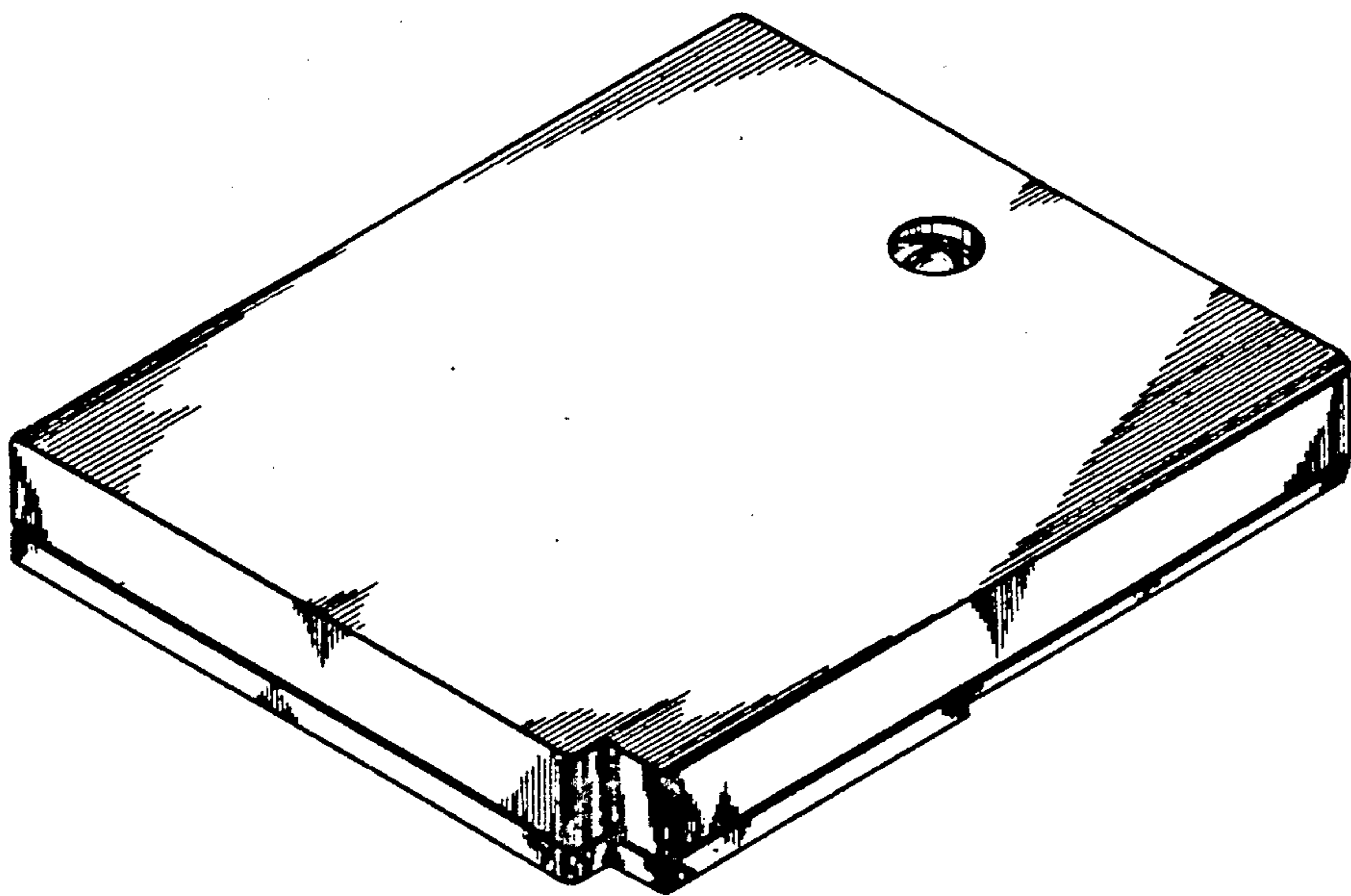


Fig. 11

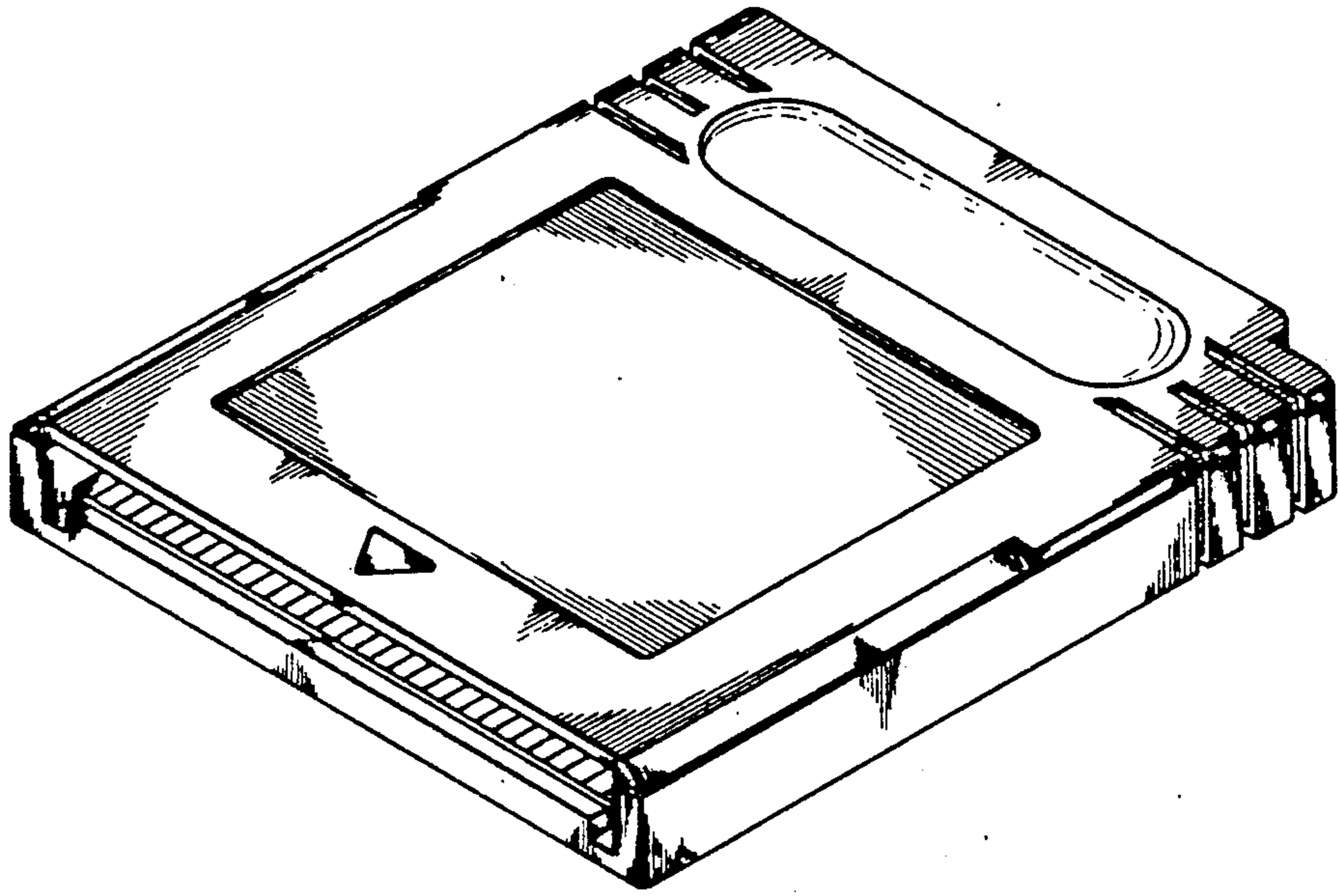


Fig. 12

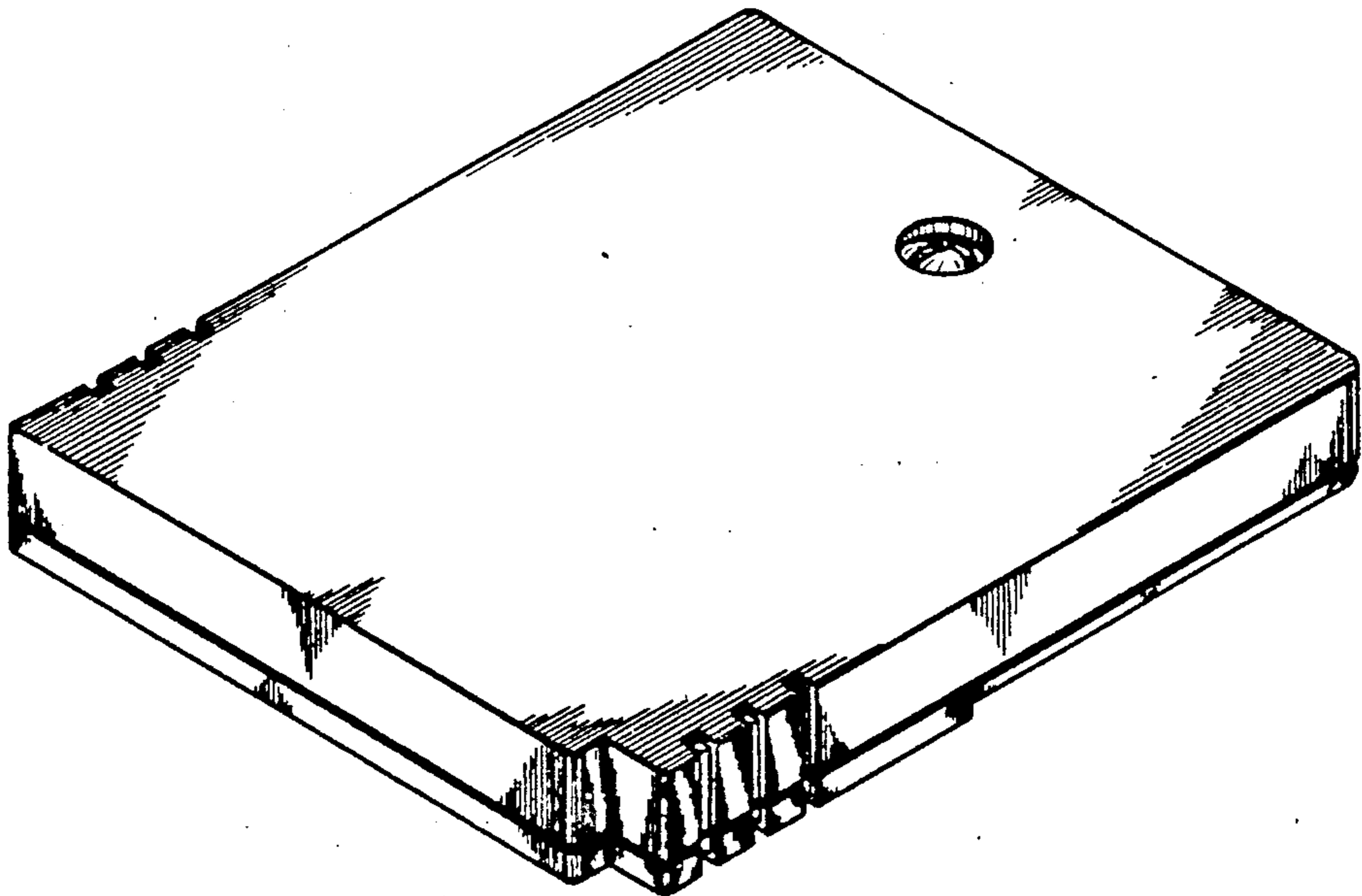


Fig. 13

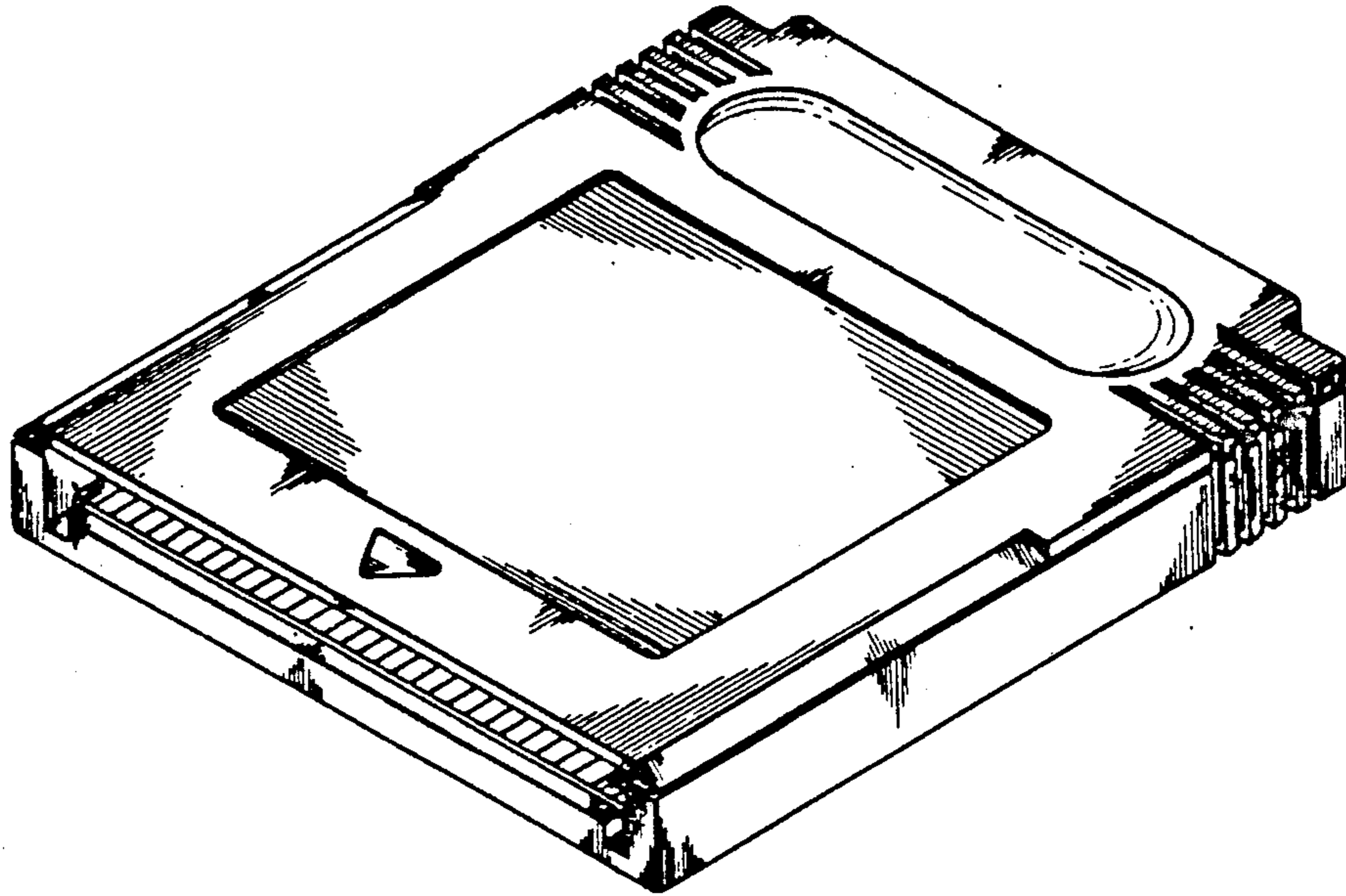


Fig. 14

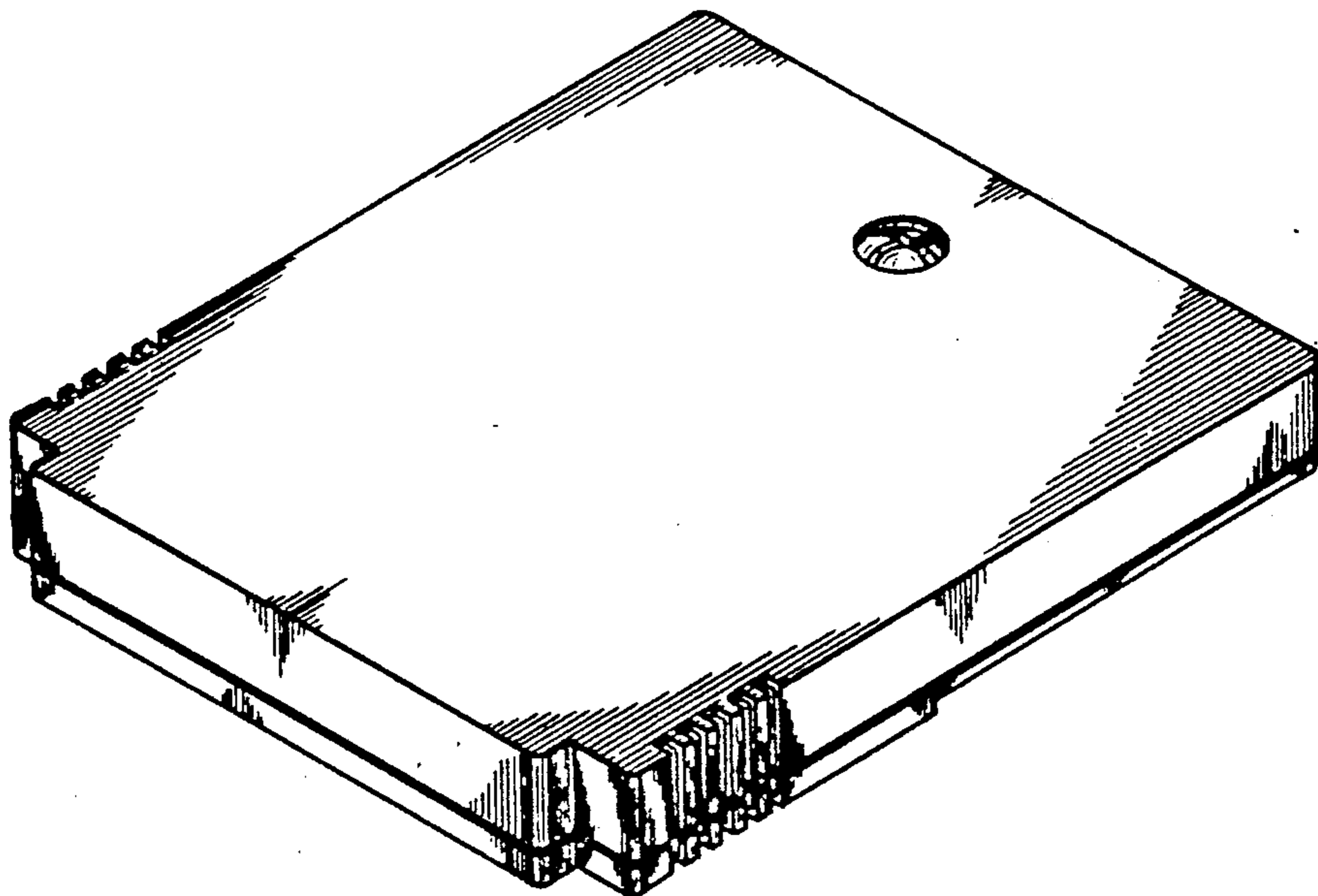


Fig. 15

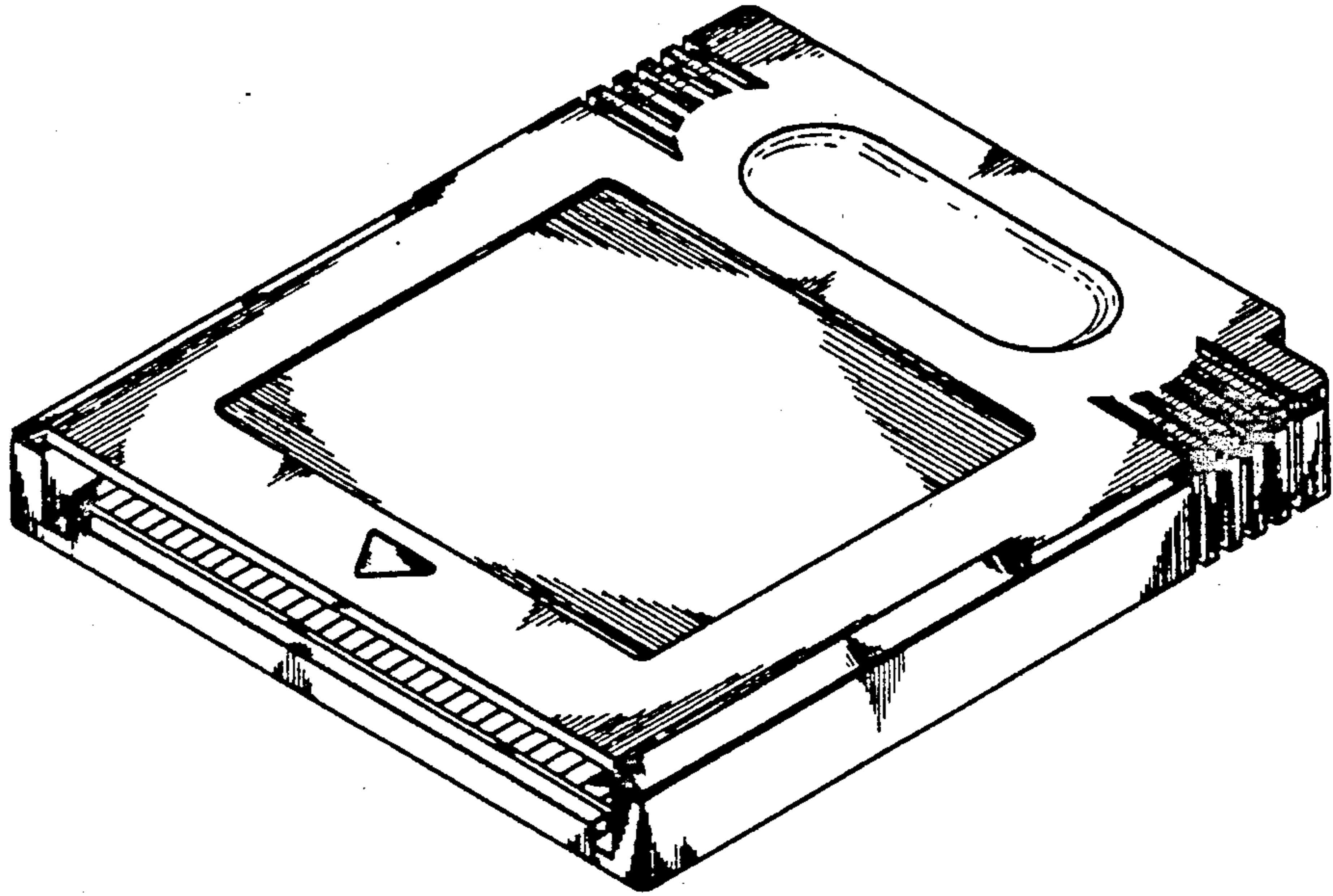


Fig. 16

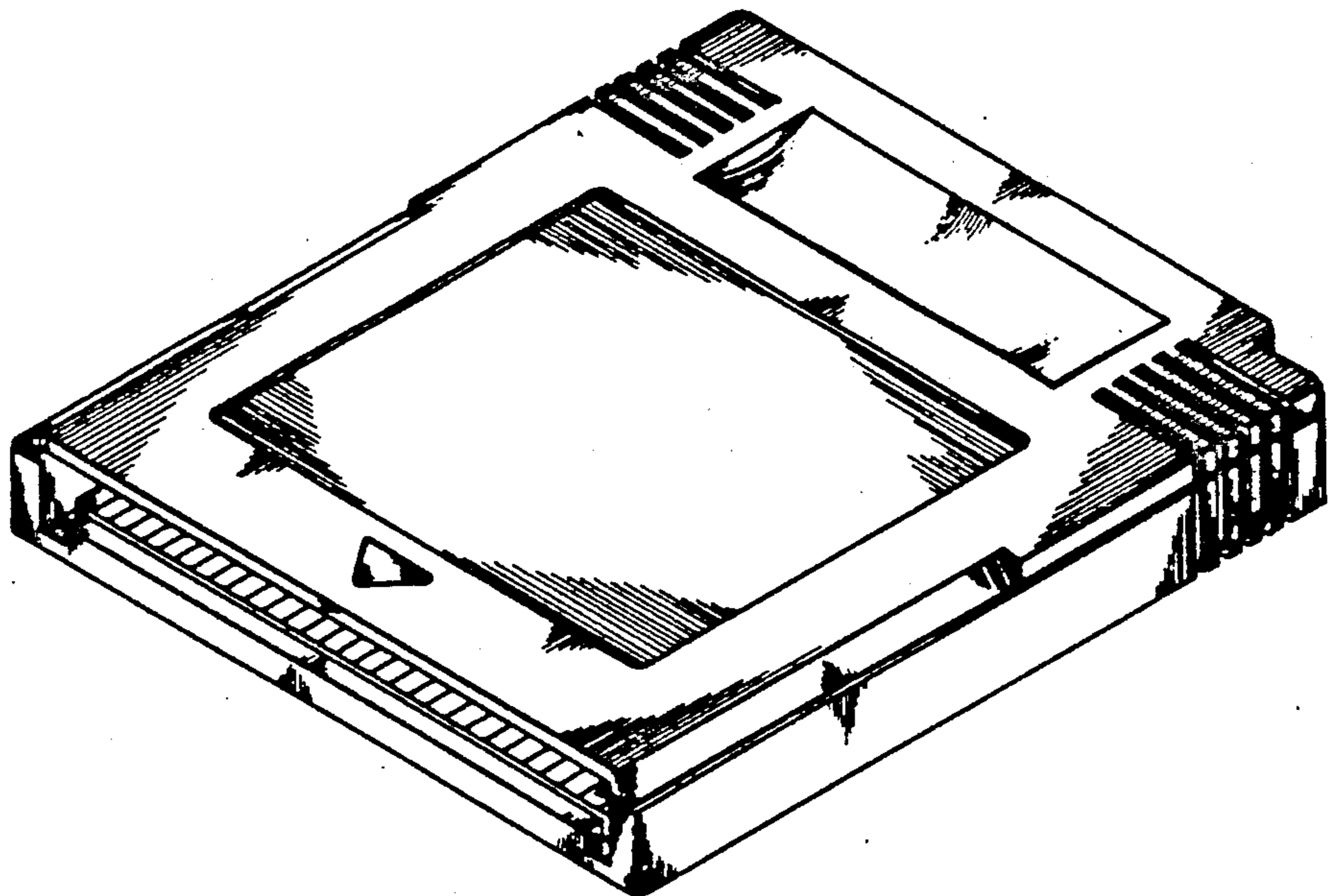


Fig. 17

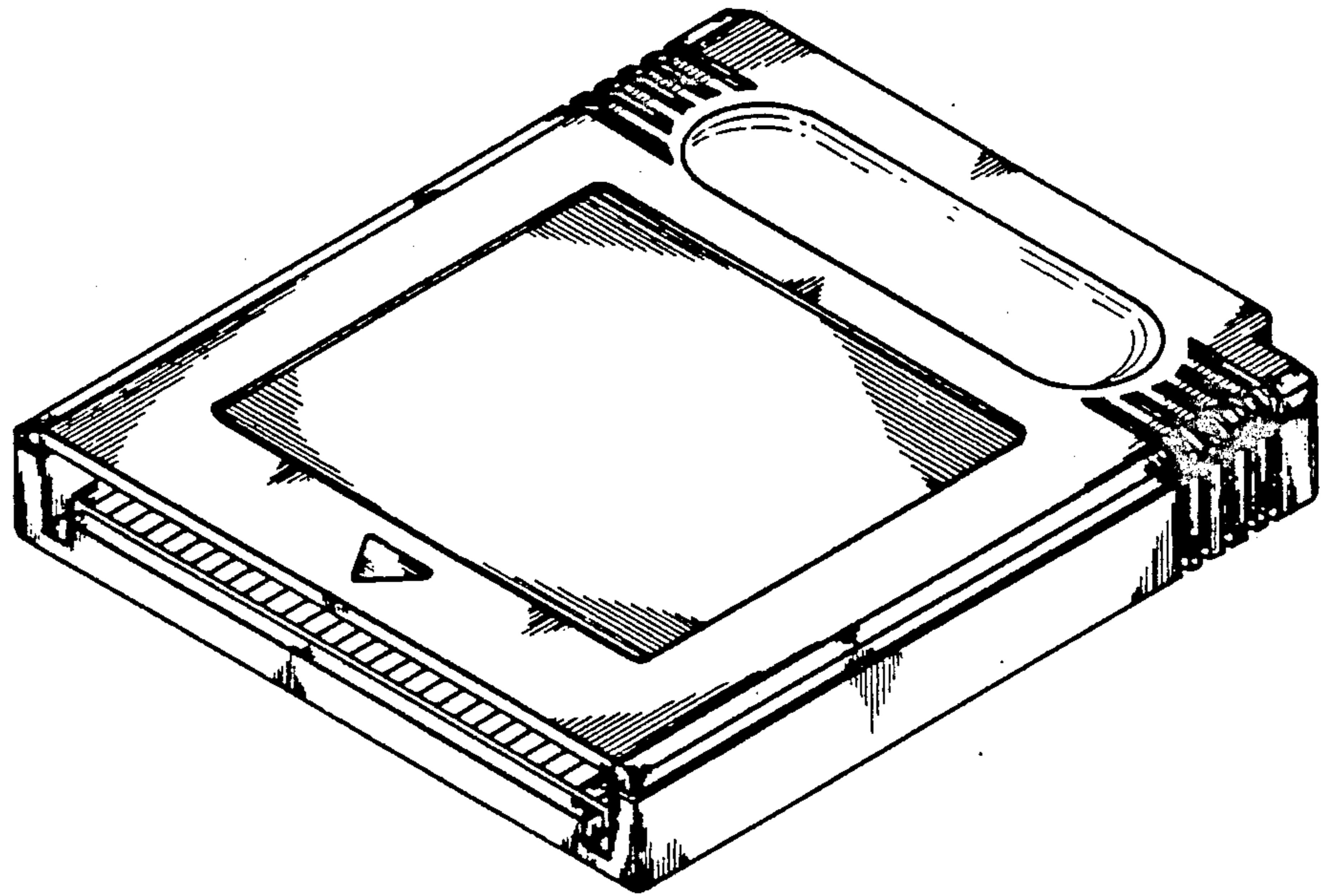


Fig. 18

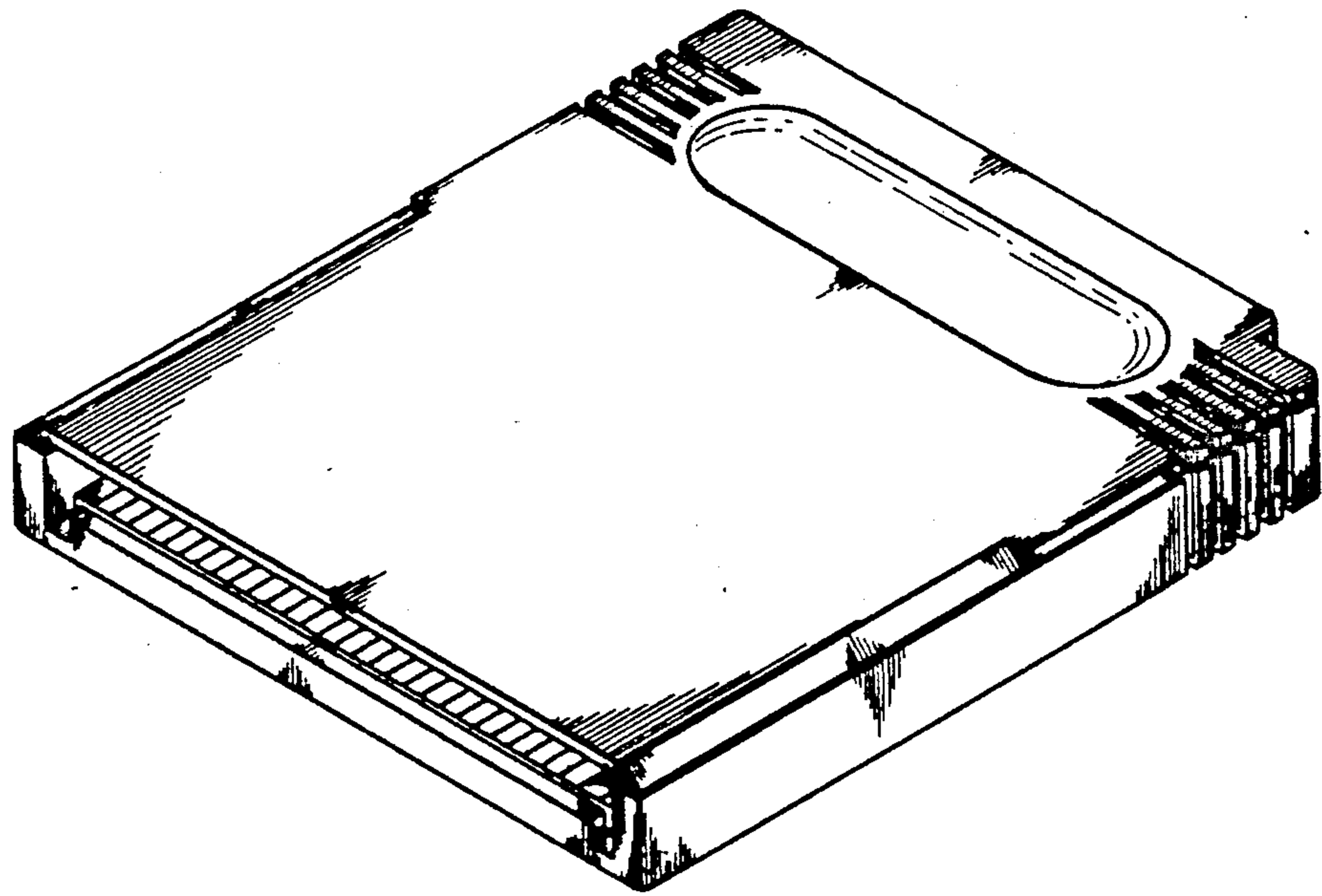


Fig. 19

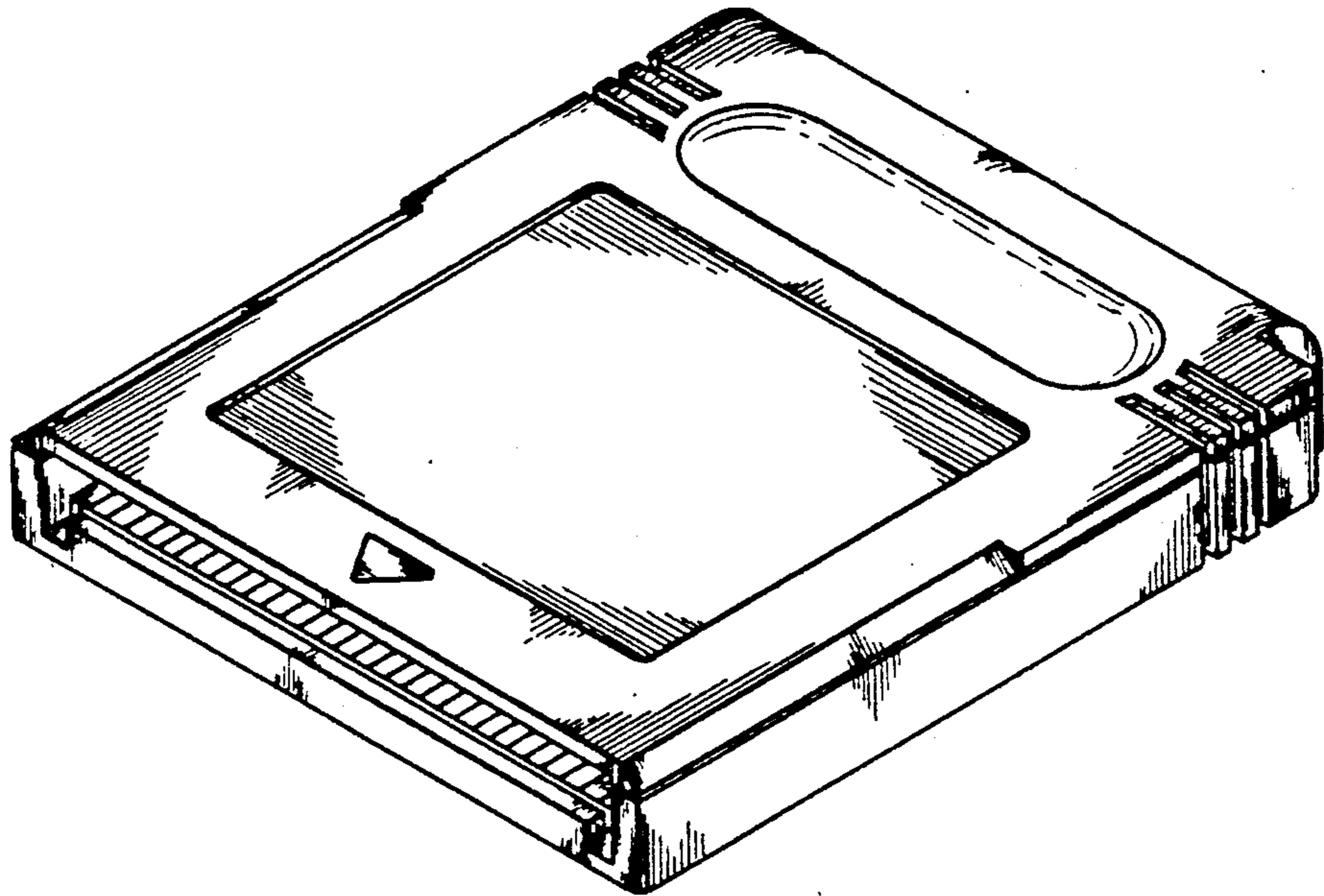


Fig. 21

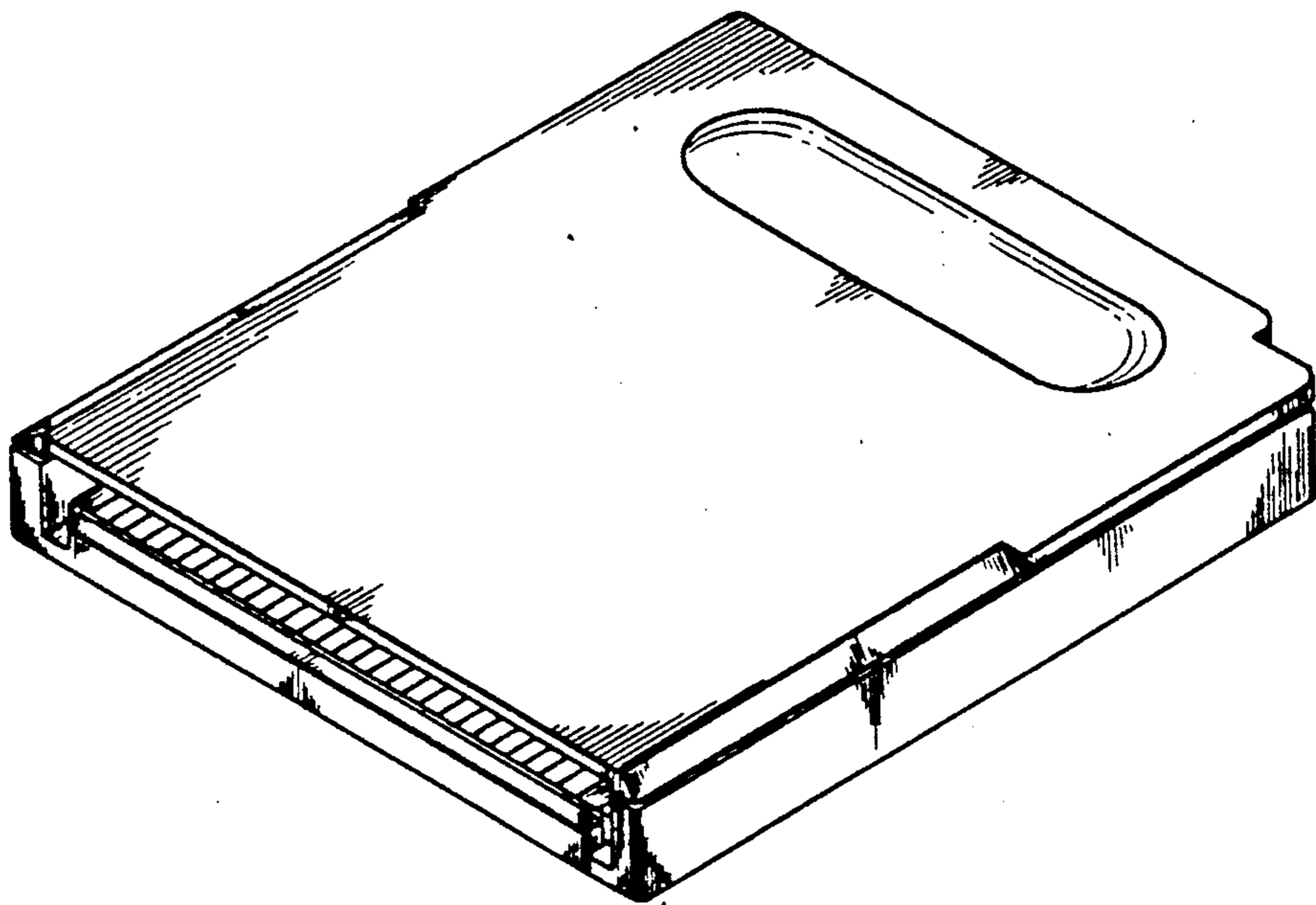


Fig. 20

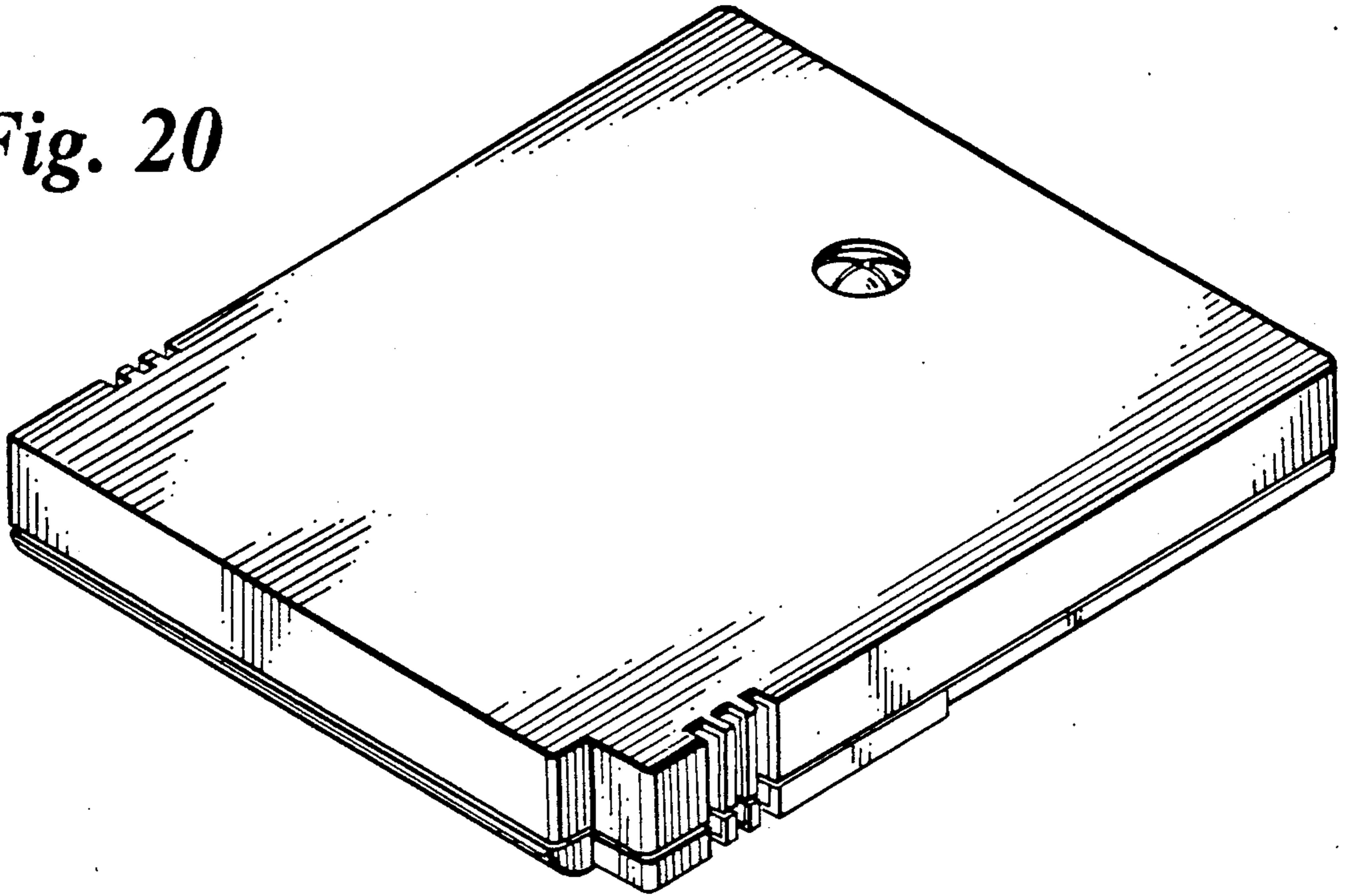


Fig. 22

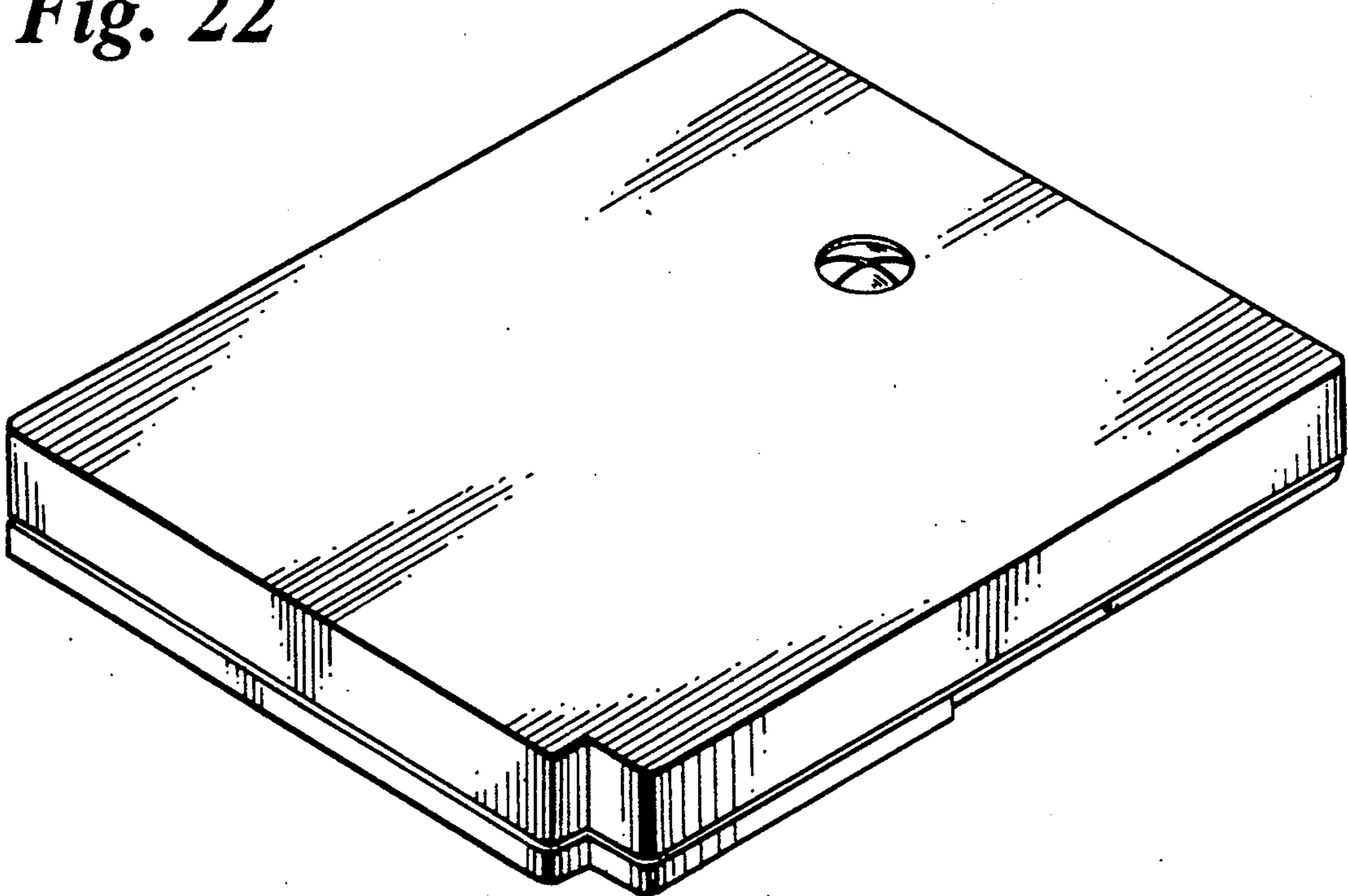


Fig. 24

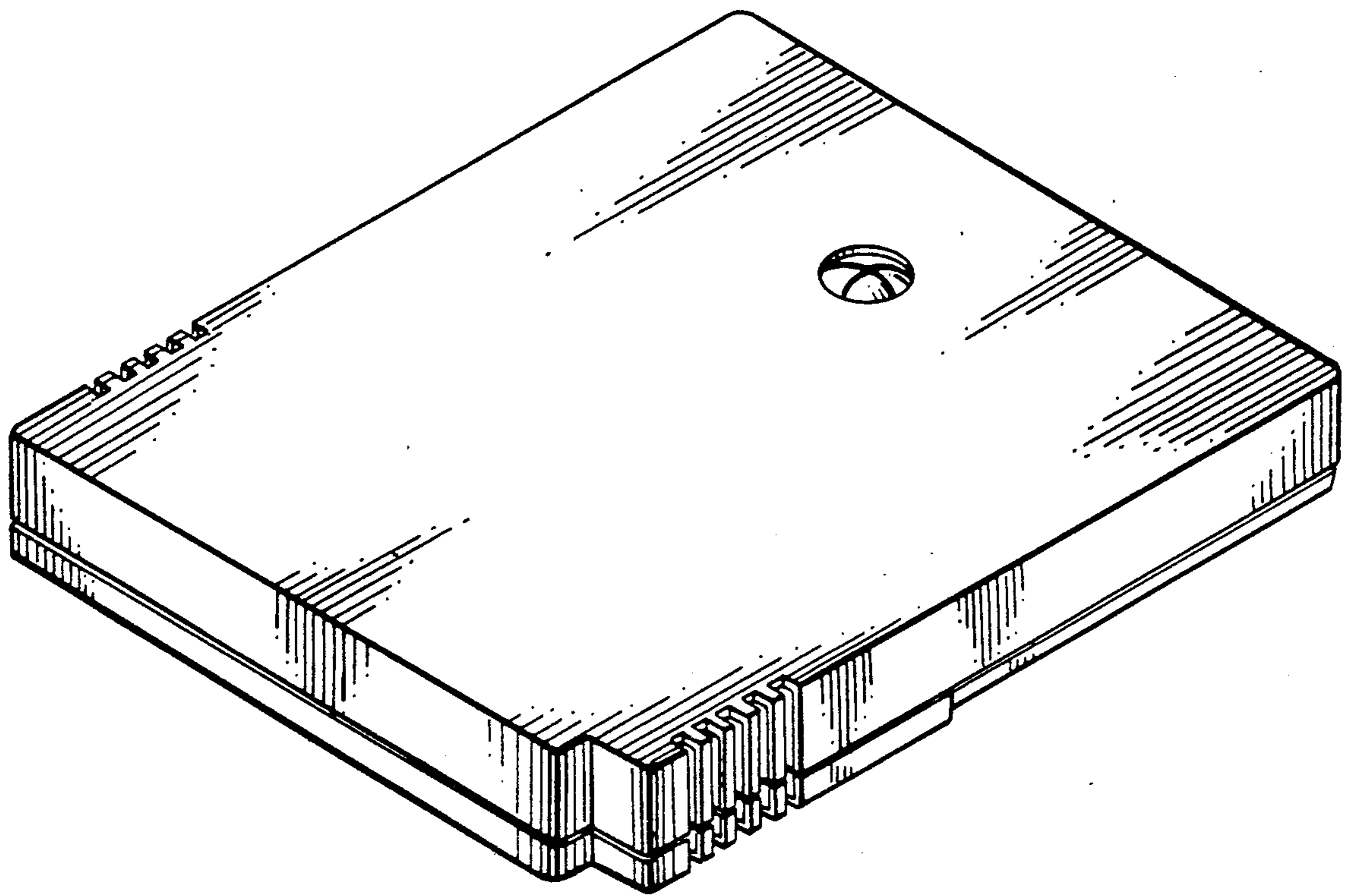


Fig. 23

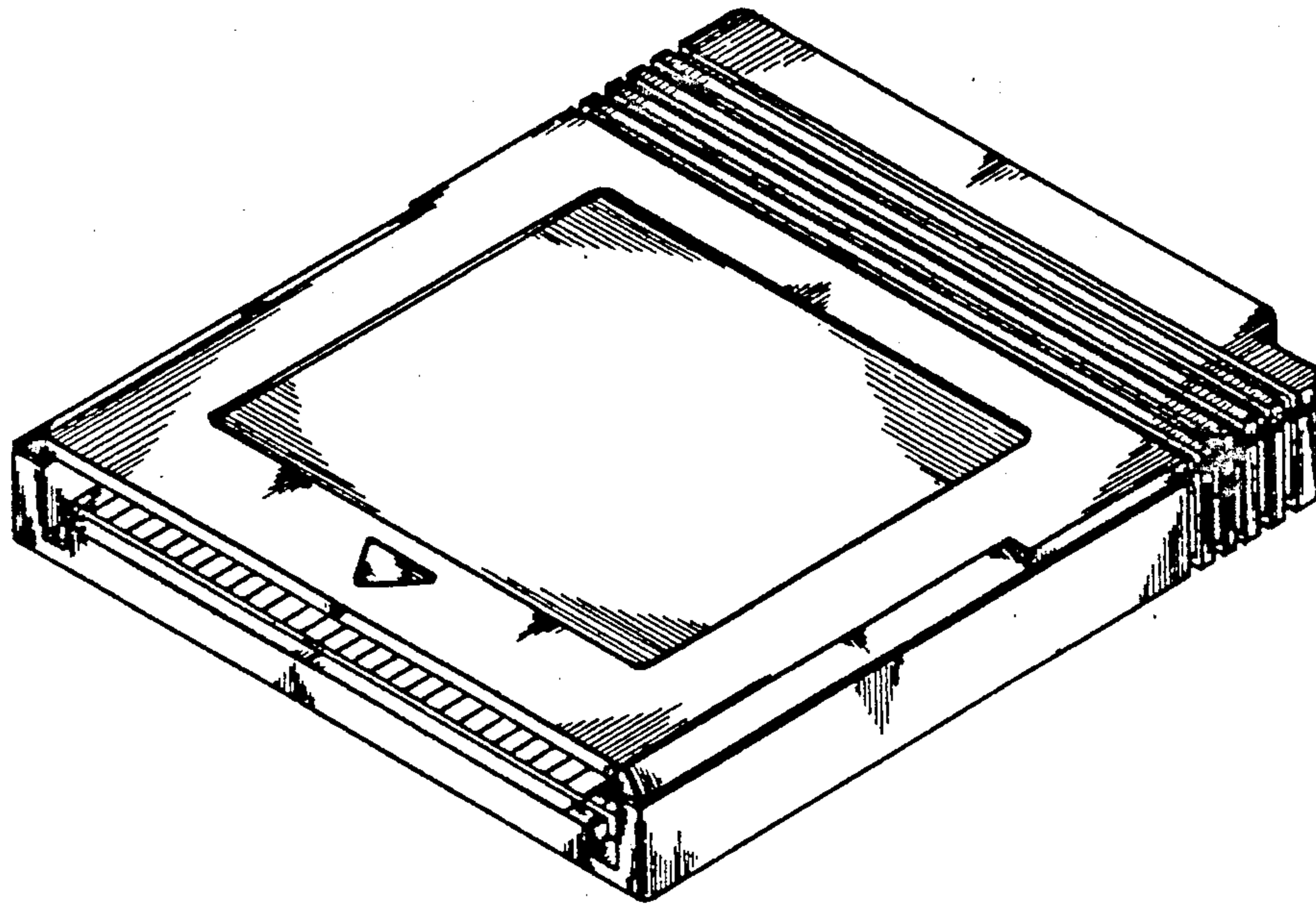


Fig. 25

