

[54] COMPUTER DISPLAY
[75] Inventor: Mitsuro Kawaguchi, Nagano, Japan
[73] Assignee: Seiko Epson Corporation, Tokyo, Japan
[**] Term: 14 Years
[21] Appl. No.: 438,364
[22] Filed: Nov. 16, 1989

[30] Foreign Application Priority Data
May 16, 1989 [JP] Japan 1-17659
[52] U.S. Cl. D14/113
[58] Field of Search D14/100, 101, 106, 113,
D14/115, 124-126; D18/1, 12, 4; 340/700, 706,
711, 712; 341/22, 23, 26; 358/248, 249,
252 \geq 255; 364/706-710.14; 312/208

[56] References Cited
U.S. PATENT DOCUMENTS
D. 300,929 5/1989 Satherley D14/113

D. 302,152 7/1989 Alfonso et al. D14/113
D. 304,719 11/1989 Leung D14/113
D. 305,755 1/1990 Suyama et al. D14/113
D. 311,180 10/1990 Schaum D14/113
D. 312,453 11/1990 Oh D14/113
D. 313,406 1/1991 Kao D14/113

Primary Examiner—Wallace R. Burke
Assistant Examiner—Freda S. Nunn
Attorney, Agent, or Firm—Blum & Kaplan

[57] CLAIM

The ornamental design for a computer display, as shown and described.

DESCRIPTION

FIG. 1 is a top plan view of a computer display showing my new design;
FIG. 2 is a front elevational view thereof;
FIG. 3 is a right side elevational view thereof;
FIG. 4 is a left side elevational view thereof;
FIG. 5 is a rear elevational view thereof;
FIG. 6 is a bottom plan view thereof; and
FIG. 7 is an enlarged perspective view thereof.

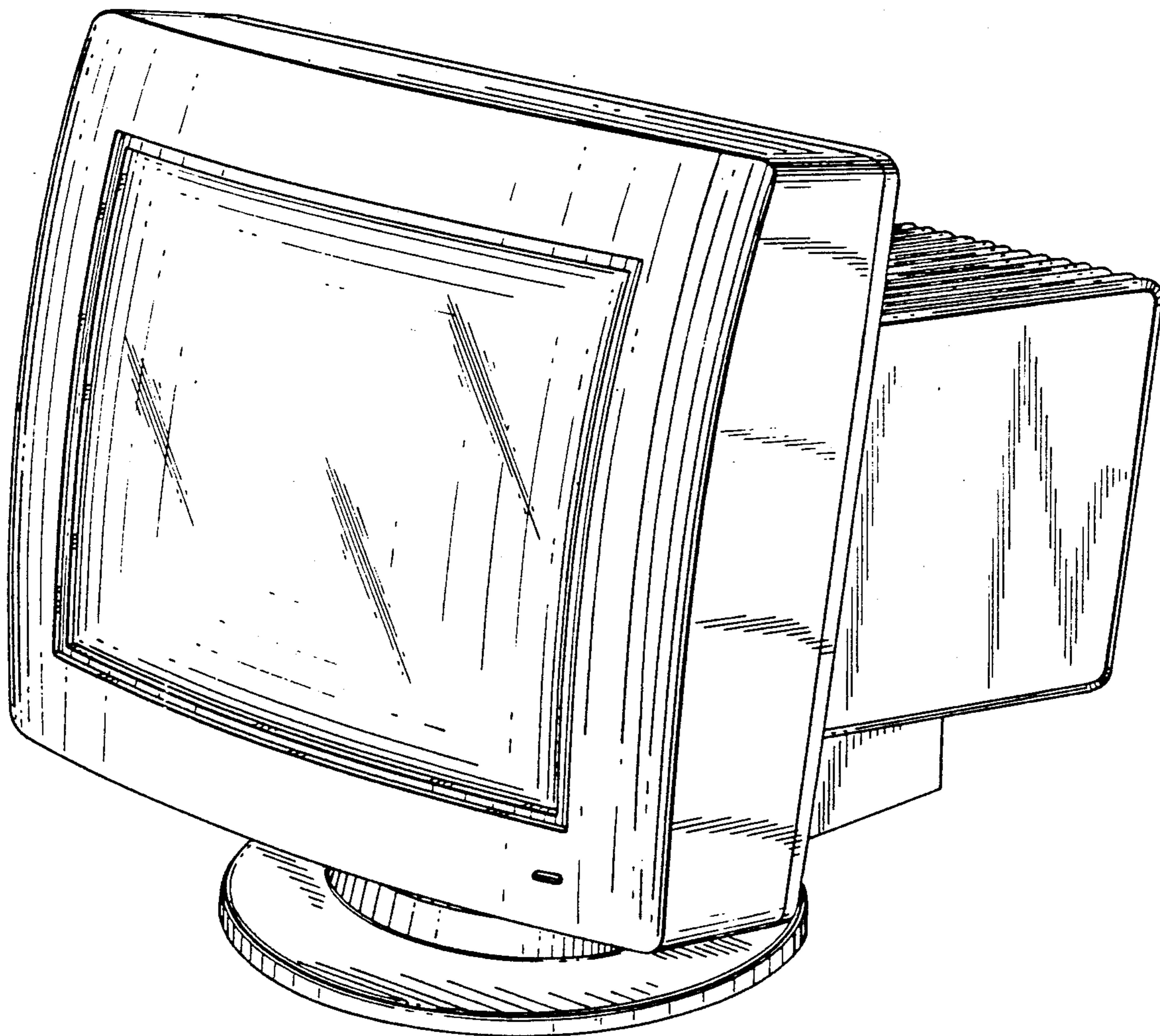


FIG. 1

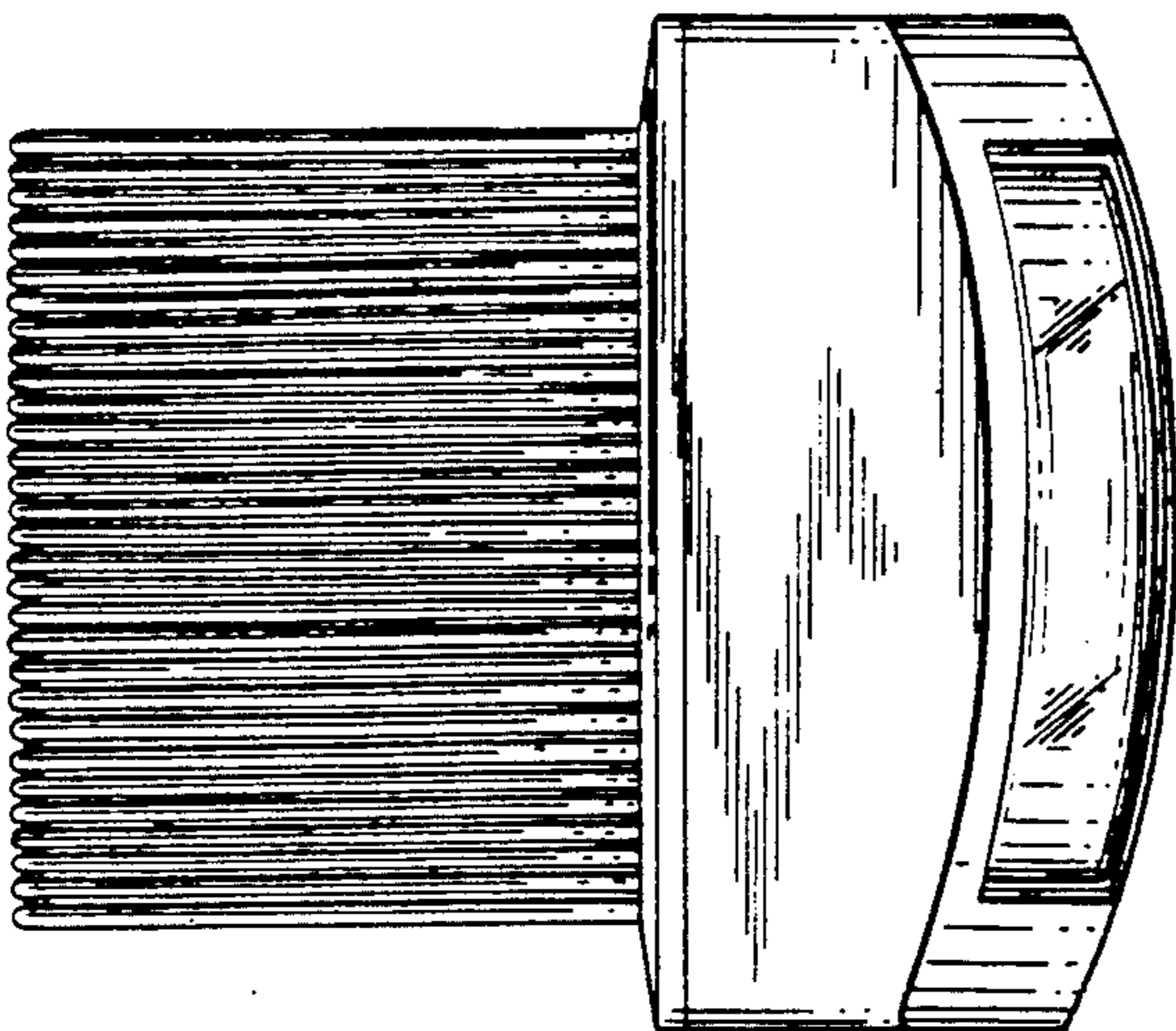


FIG. 3

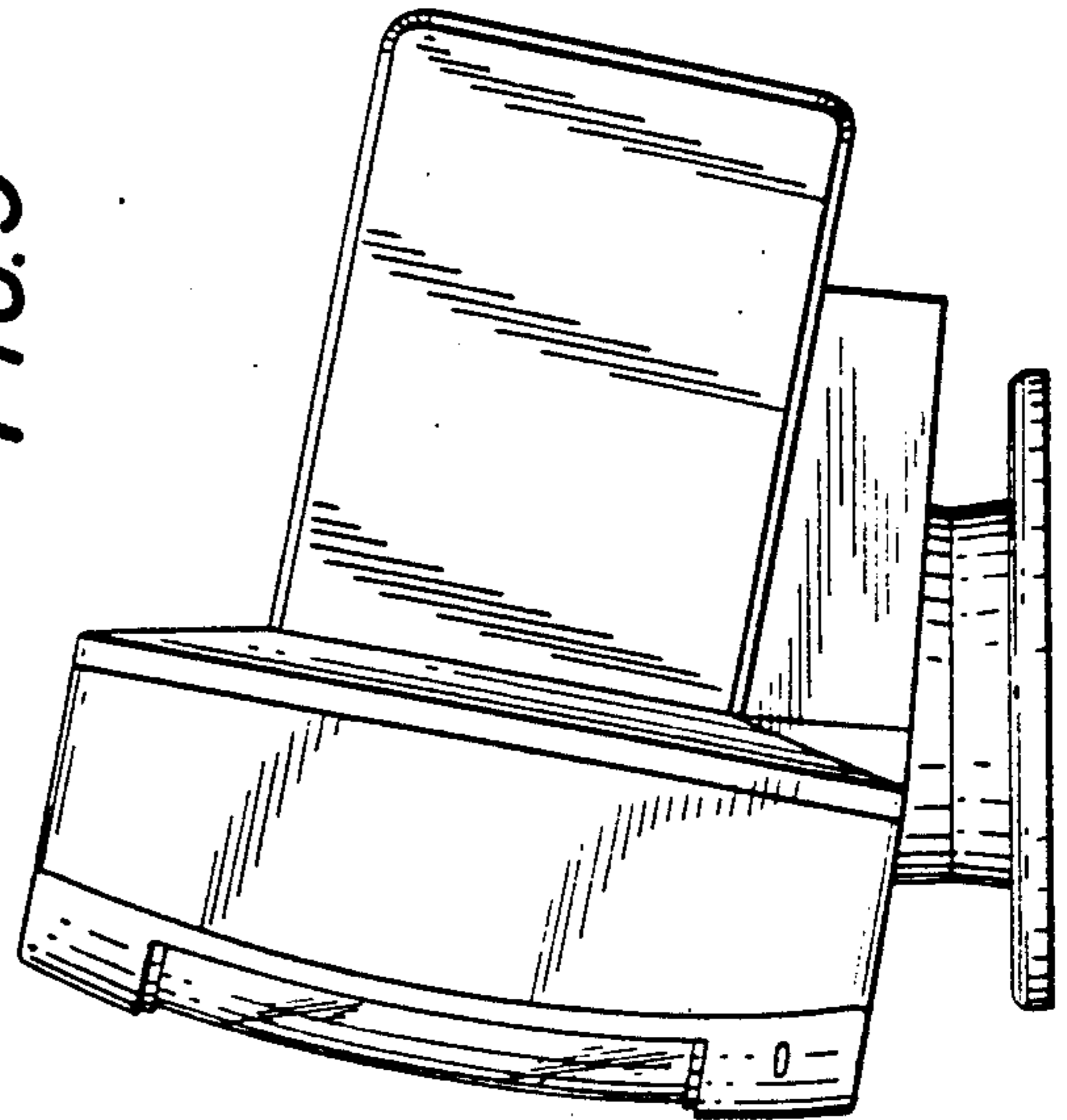
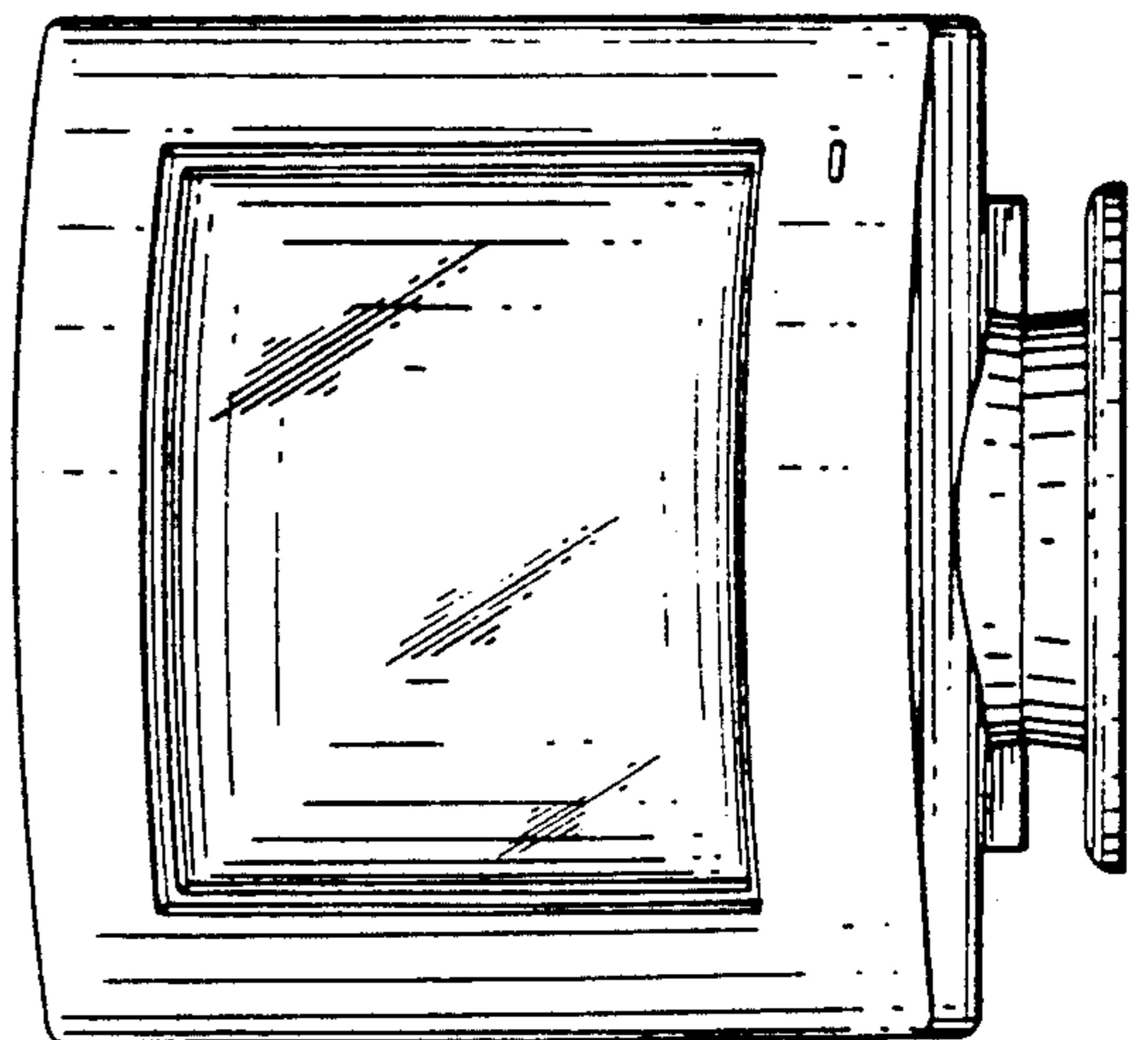


FIG. 2



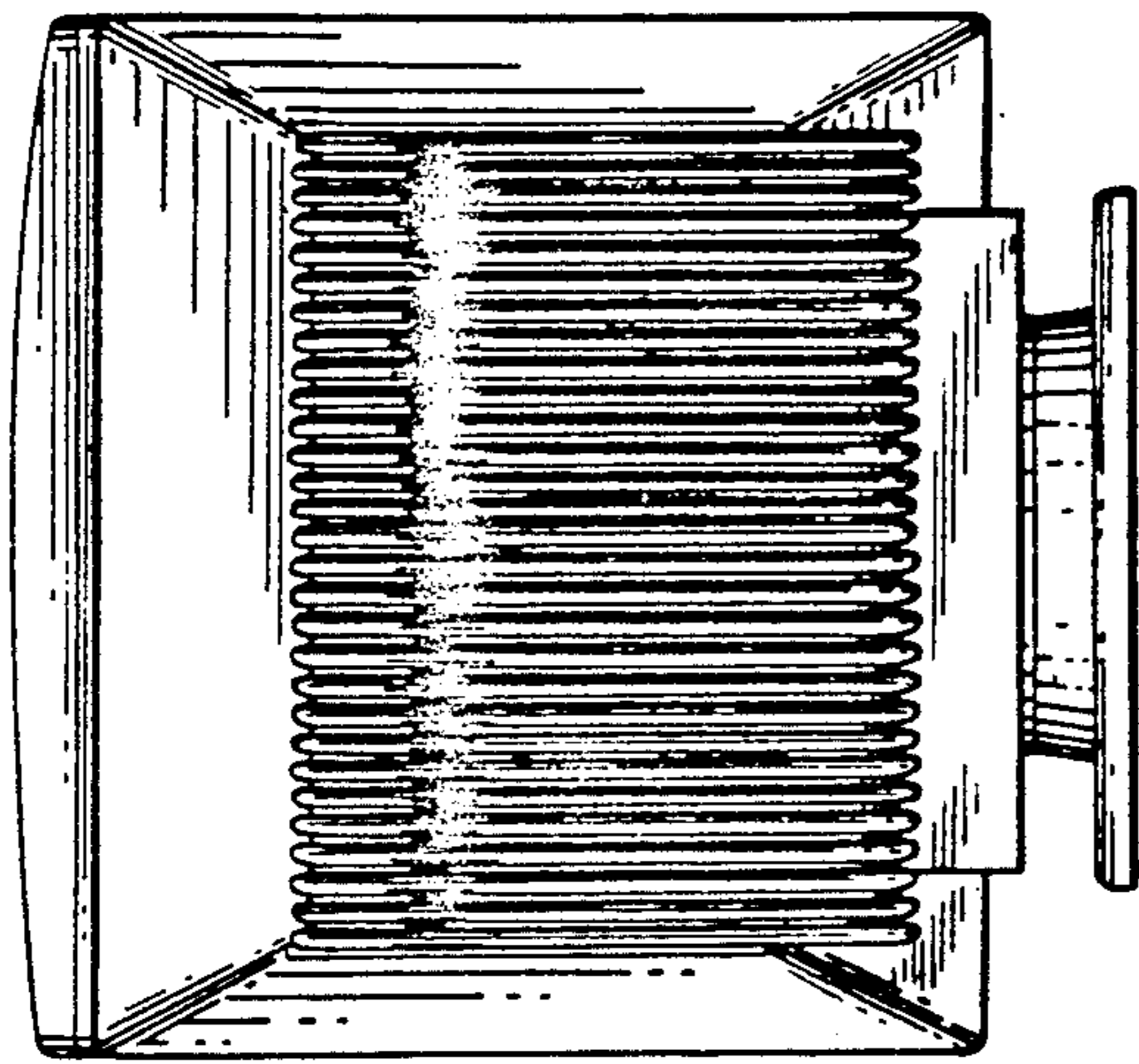


FIG. 5

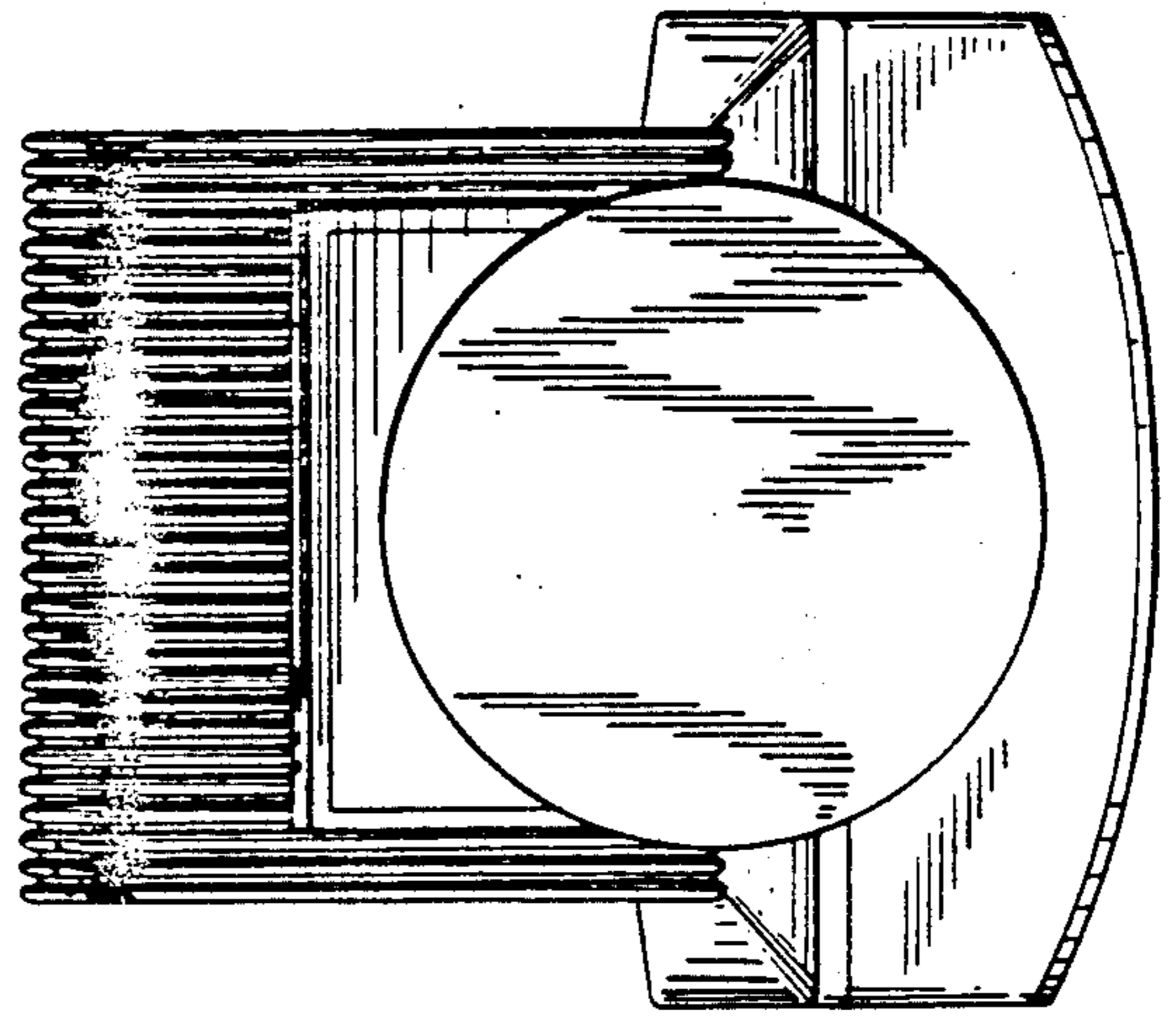


FIG. 6

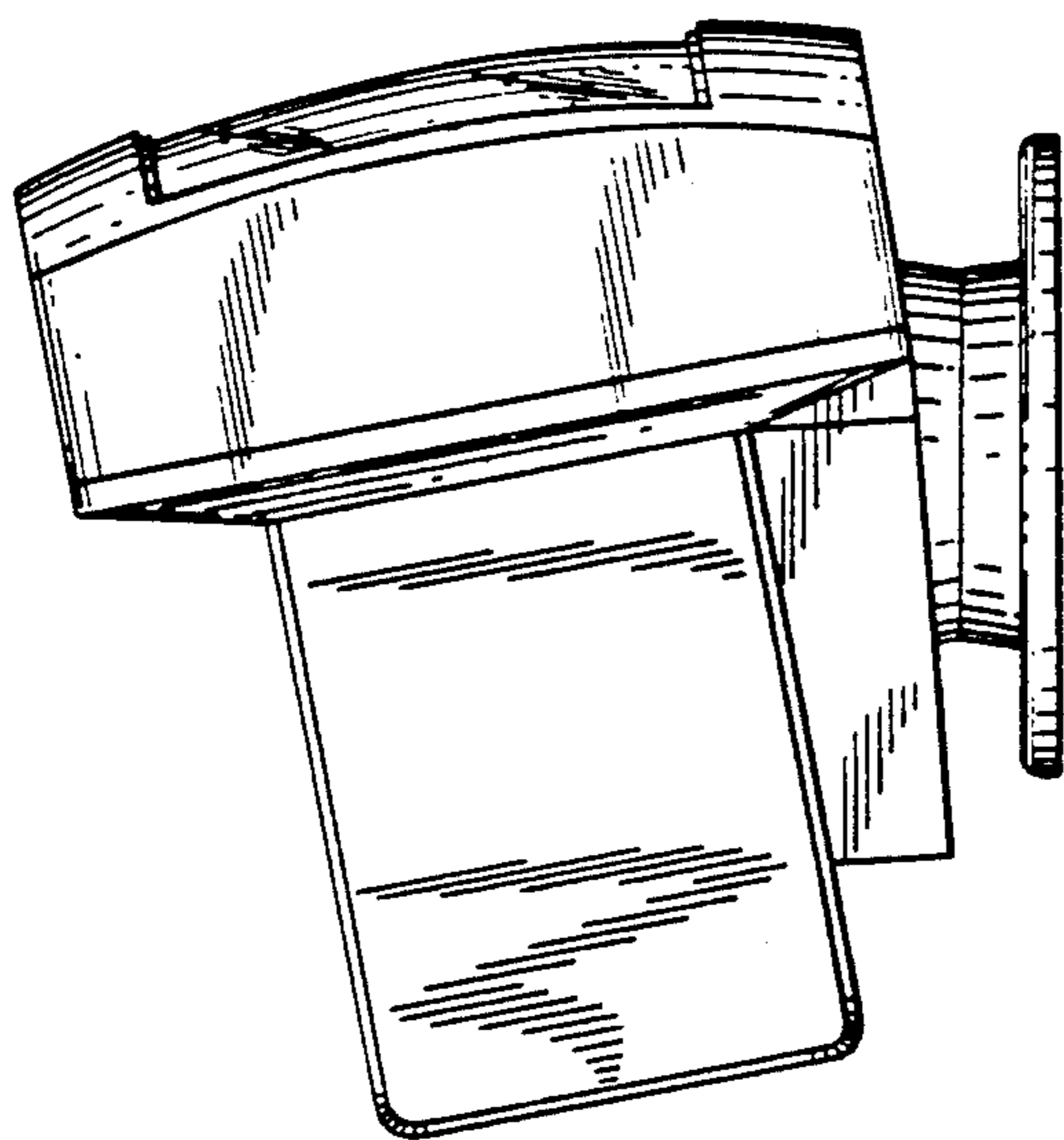


FIG. 4

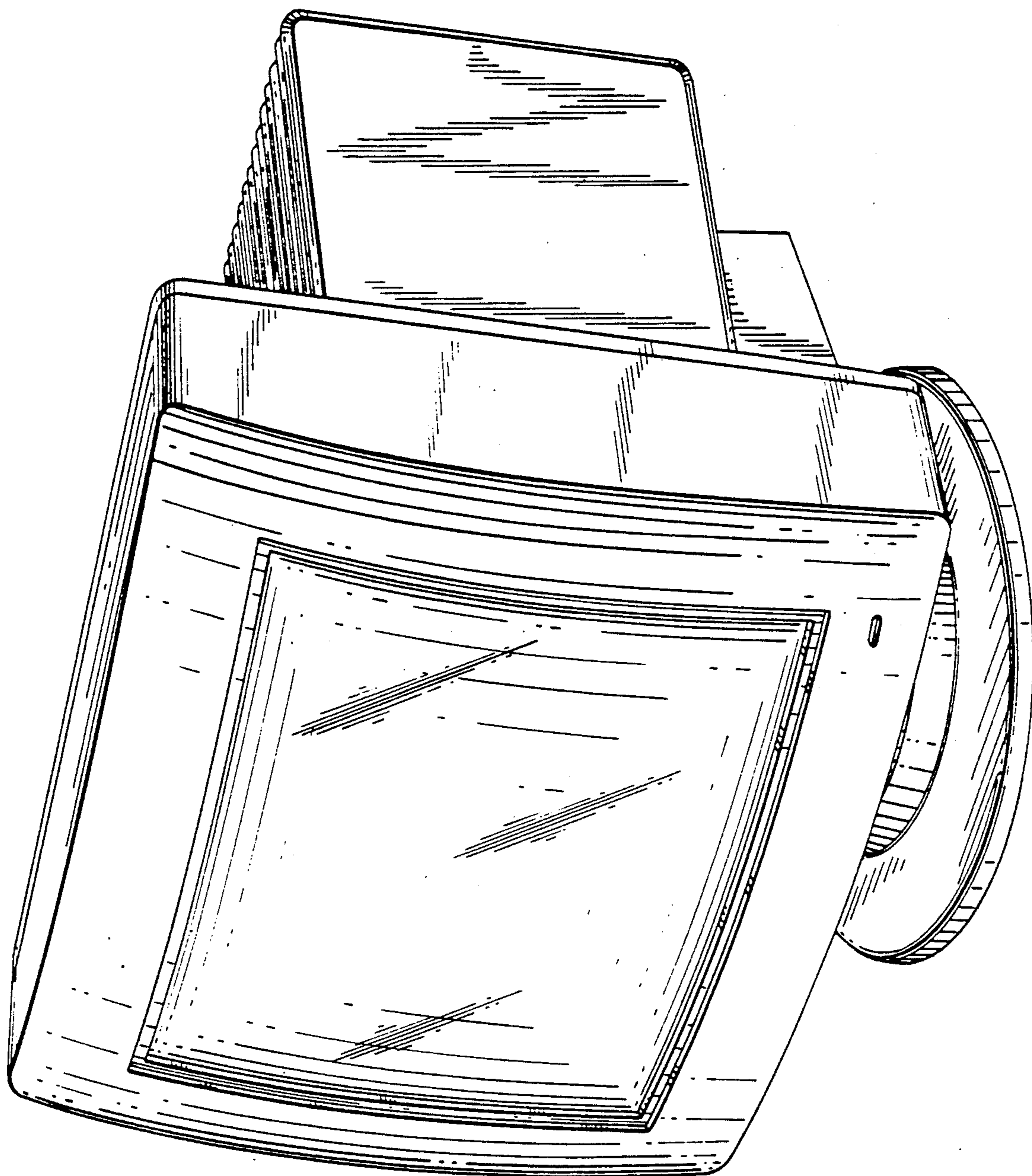


FIG. 7