

[54] COMPUTER DISPLAY

[75] Inventors: Noritaka Uchibori; Mitsuru Kawaguchi, both of Nagano; Mitsuru Iseki, Aichi, all of Japan

[73] Assignee: Seiko Epson Corporation, Tokyo, Japan

[**] Term: 14 Years

[21] Appl. No.: 438,363

[22] Filed: Nov. 16, 1989

[30] Foreign Application Priority Data

May 16, 1989 [JP] Japan 1-17661
[52] U.S. Cl. D14/113
[58] Field of Search D14/100, 101, 106, 113, D14/115, 124-126; D18/1, 4, 11, 12; 235/145 A, 145 R; 340/700, 712; 341/22, 23, 26; 358/248, 249, 254; 364/706-710.14; 312/208

[56] References Cited

U.S. PATENT DOCUMENTS

D. 300,929	5/1989	Satherley	D14/113
D. 304,719	11/1989	Leung	D14/113
D. 305,755	1/1990	Suyama et al.	D14/113
D. 311,180	10/1990	Schaum	D14/113
D. 312,453	11/1990	Oh	D14/113
D. 313,406	1/1991	Kao	D14/113

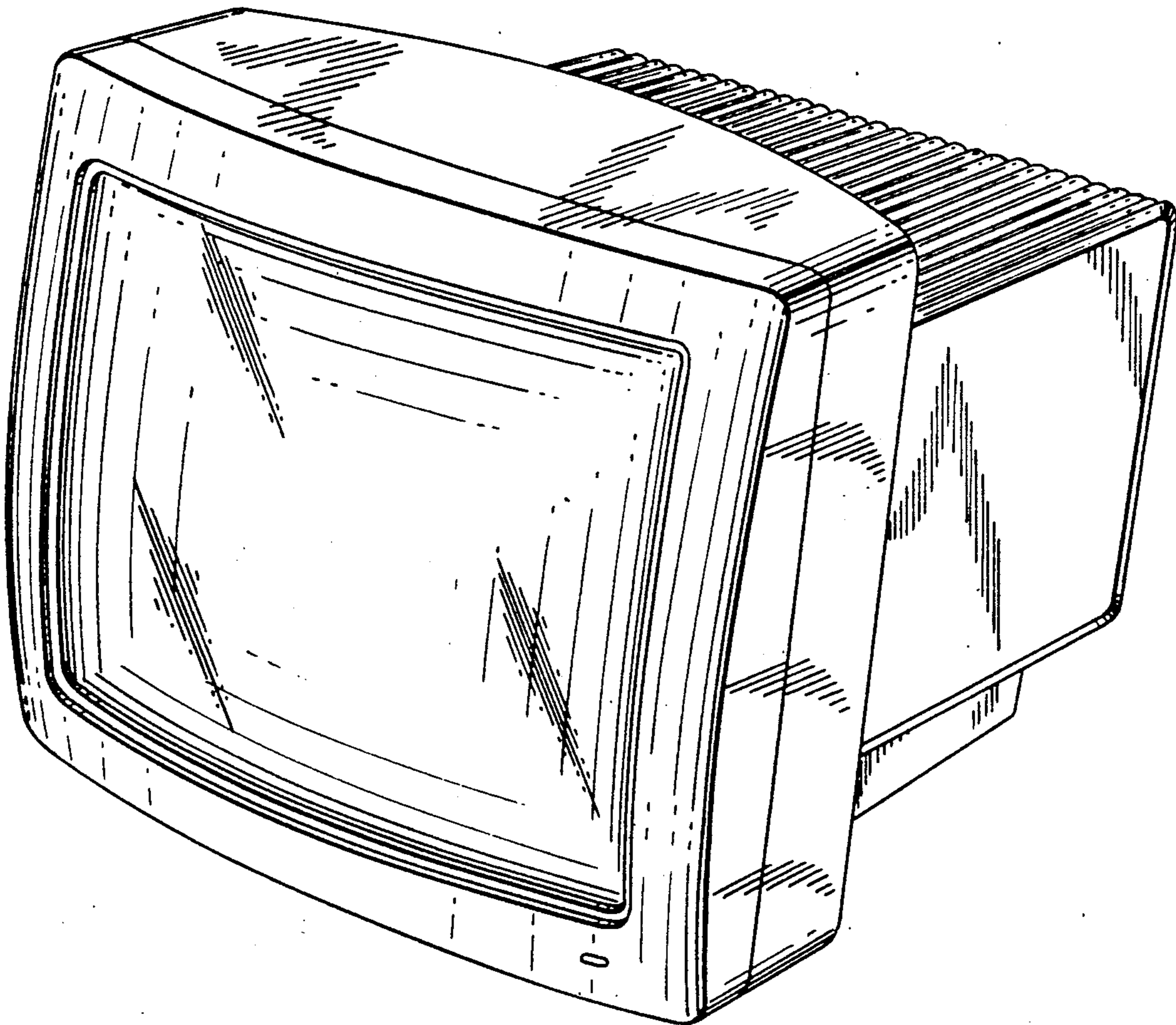
Primary Examiner—Wallace R. Burke
Assistant Examiner—Freda S. Nunn
Attorney, Agent, or Firm—Blum & Kaplan

[57] CLAIM

The ornamental design for a computer display, as shown and described.

DESCRIPTION

FIG. 1 is a top plan view of a computer display showing our new design;
FIG. 2 is a front elevational view thereof;
FIG. 3 is a right side elevational view thereof;
FIG. 4 is a left side elevational view thereof;
FIG. 5 is a rear elevational view thereof;
FIG. 6 is a bottom plan view thereof; and
FIG. 7 is an enlarged top, front, right side perspective view thereof.



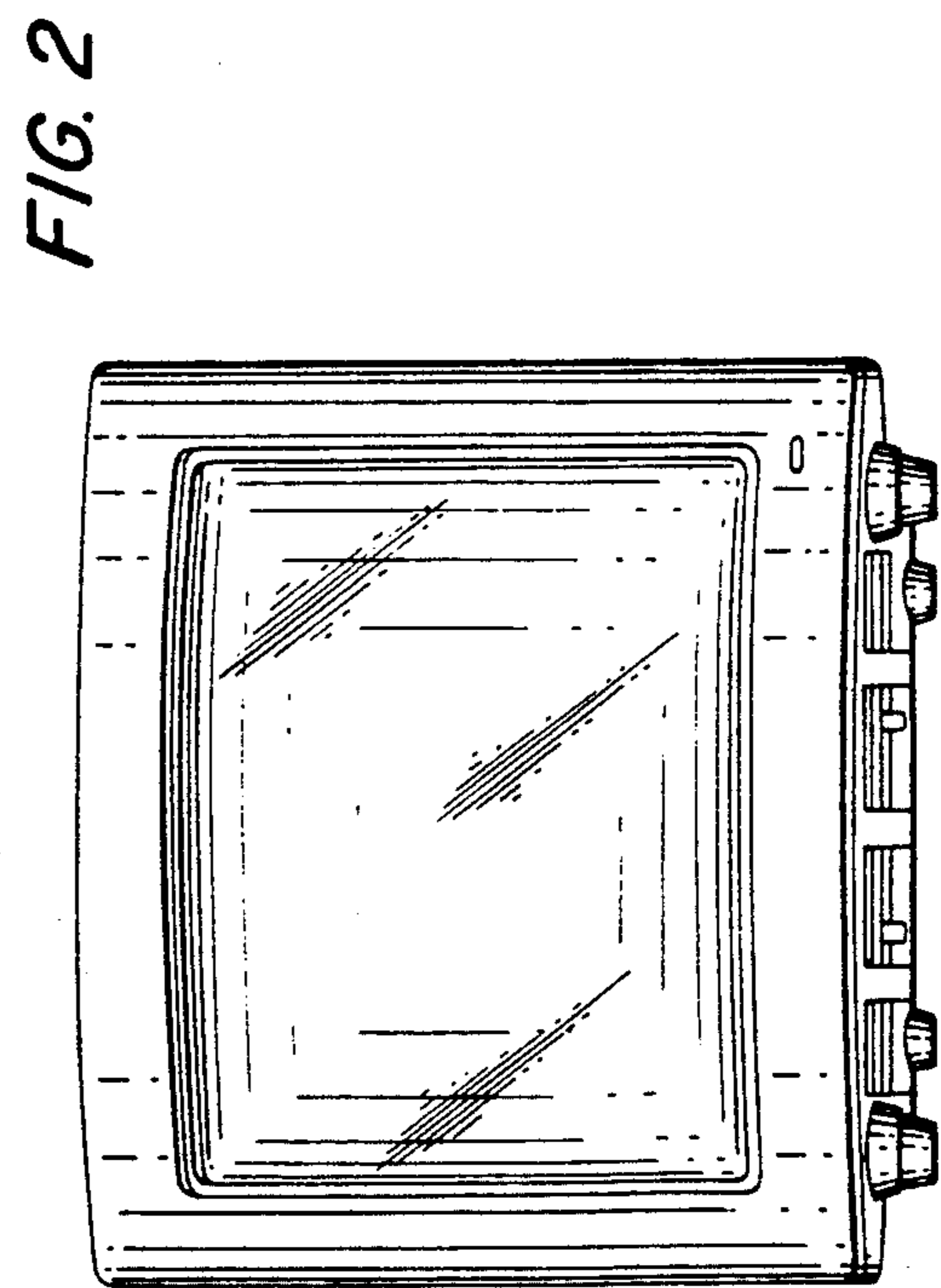
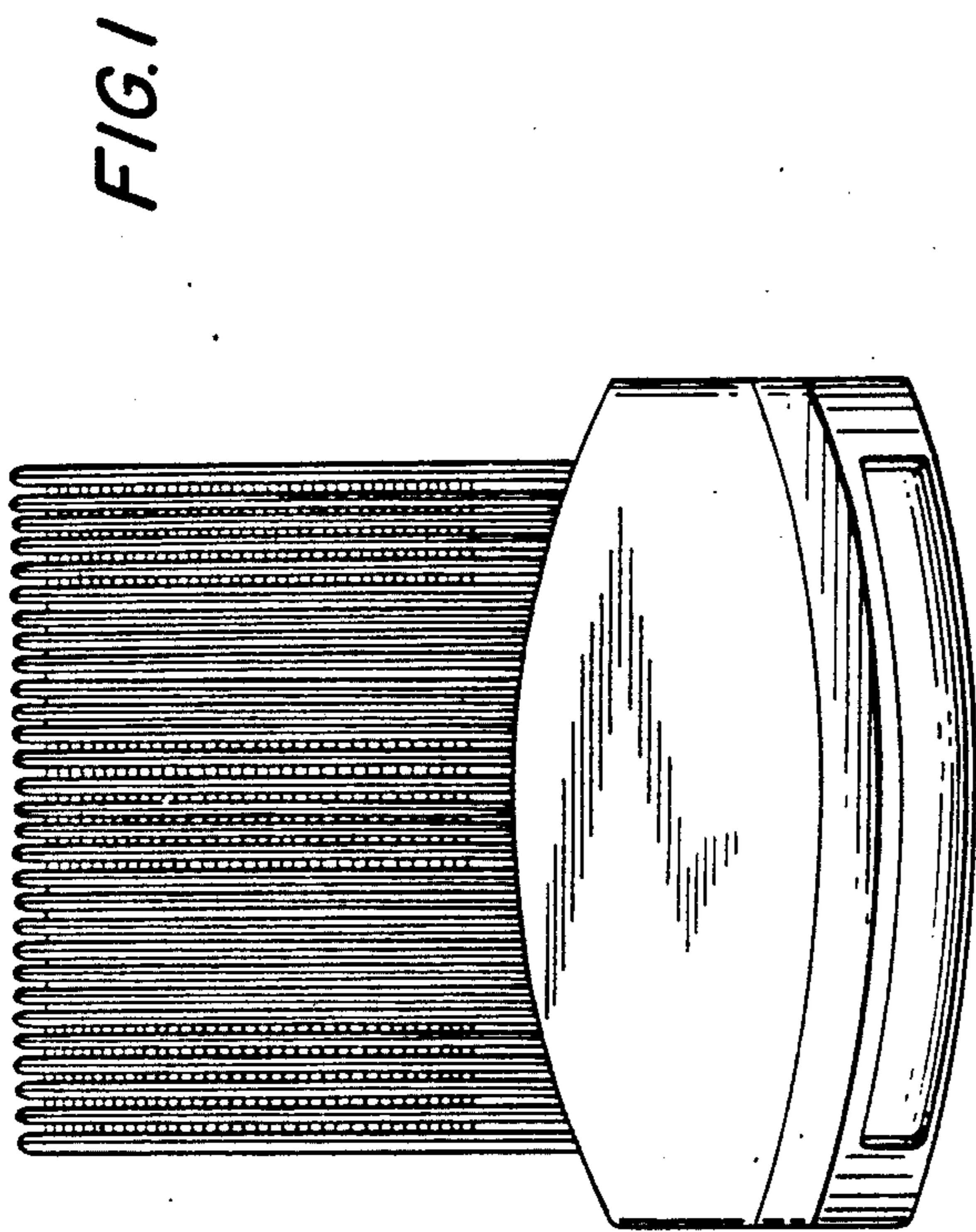
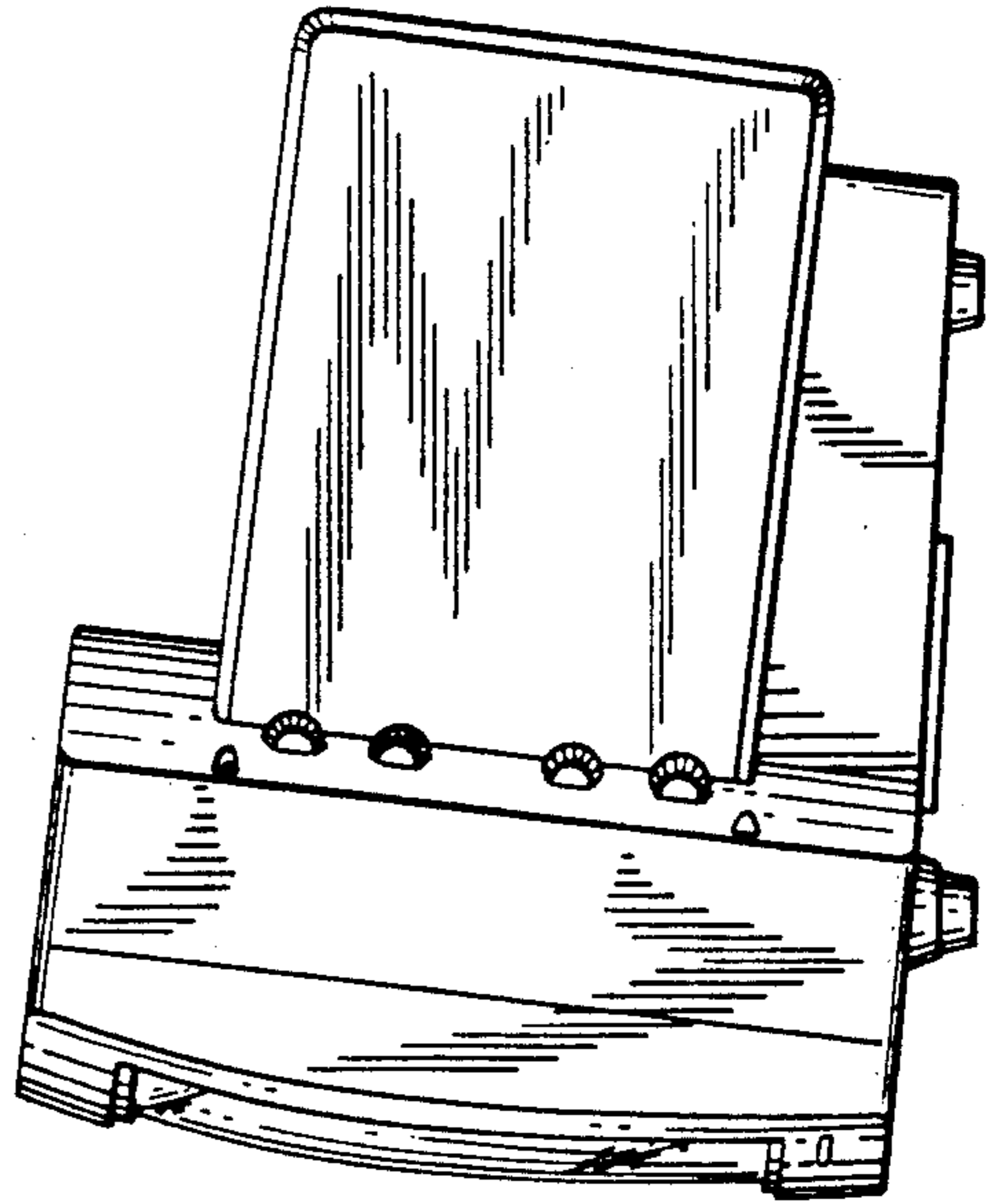


FIG. 3



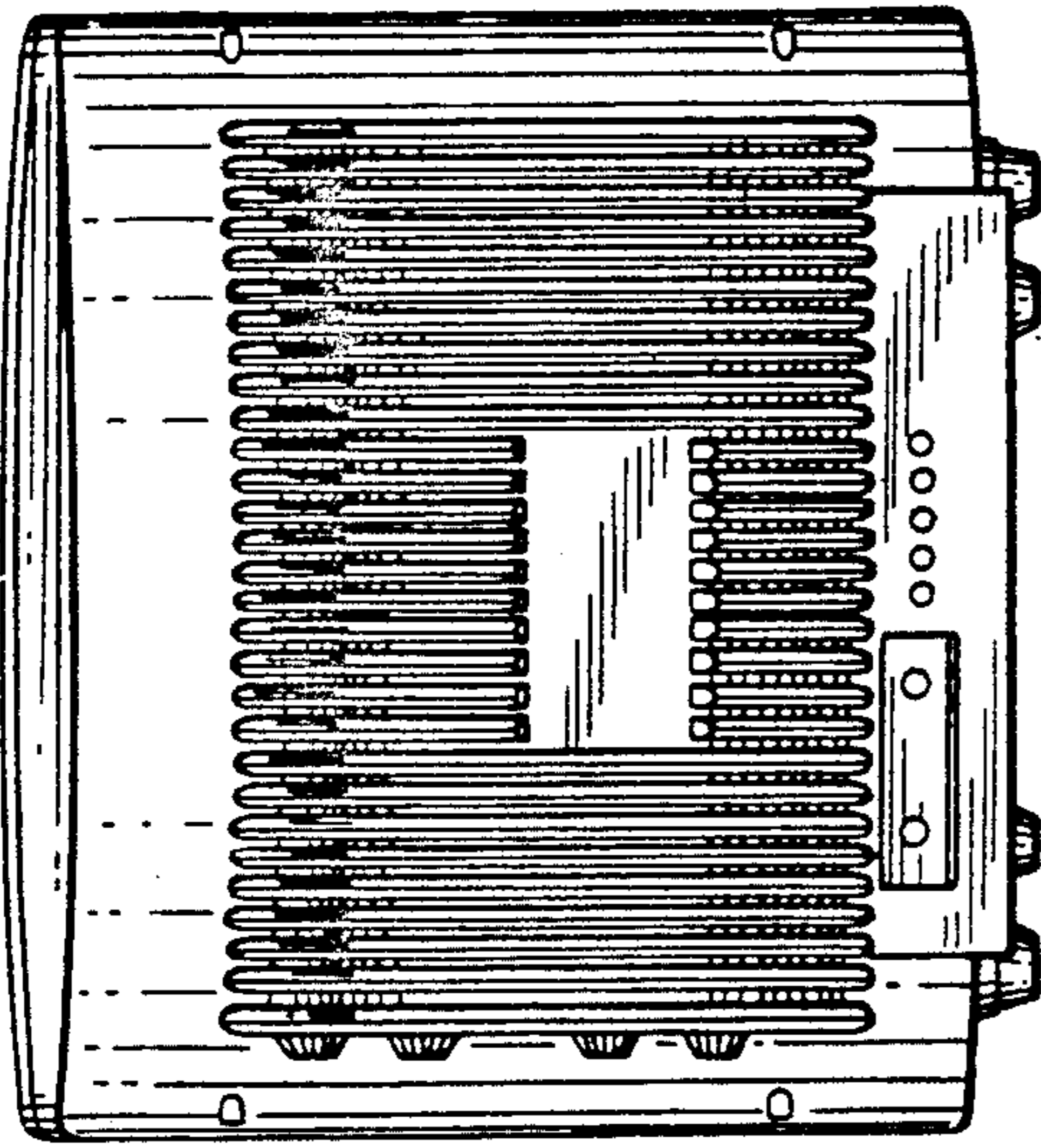


FIG. 5

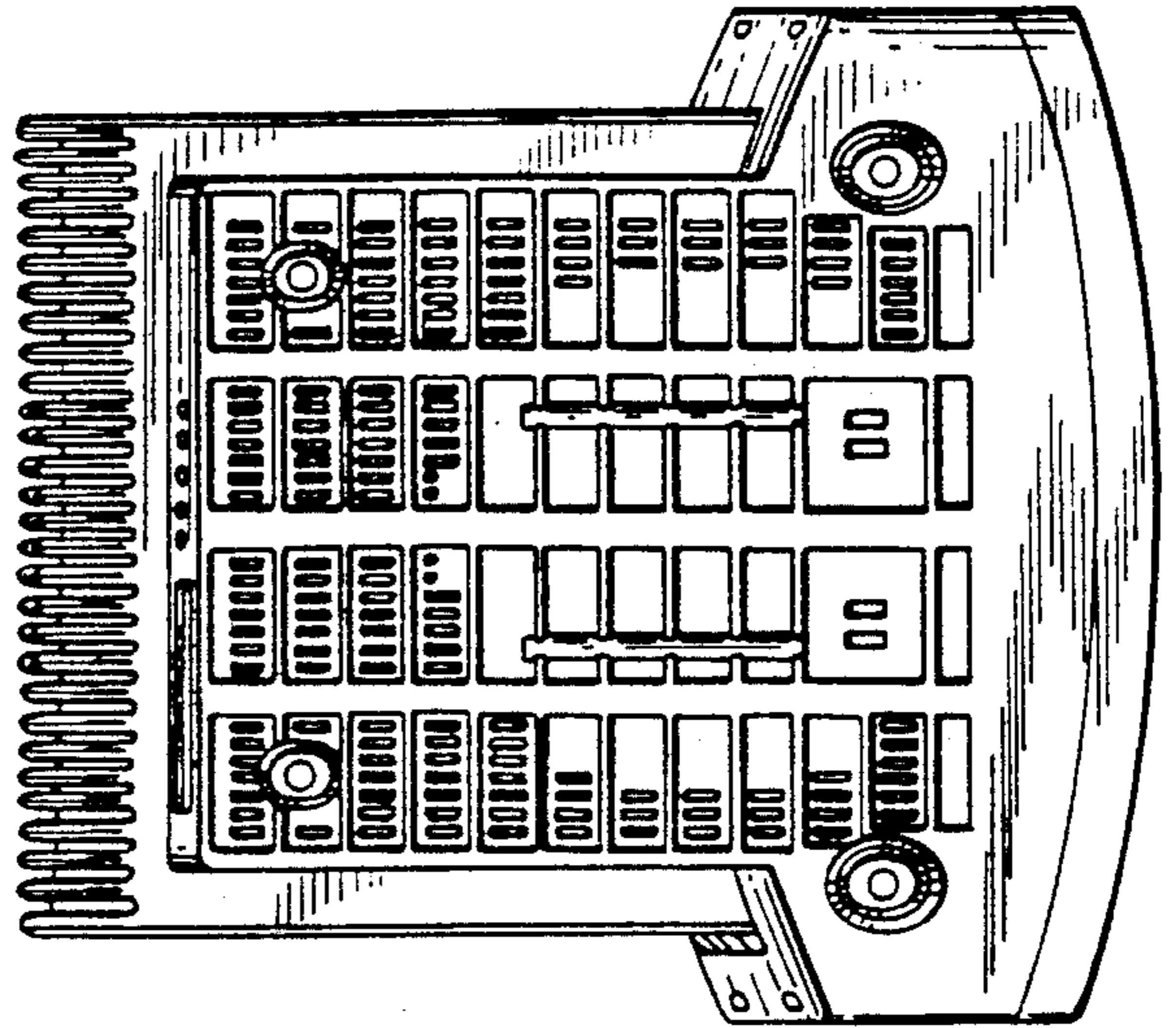


FIG. 6

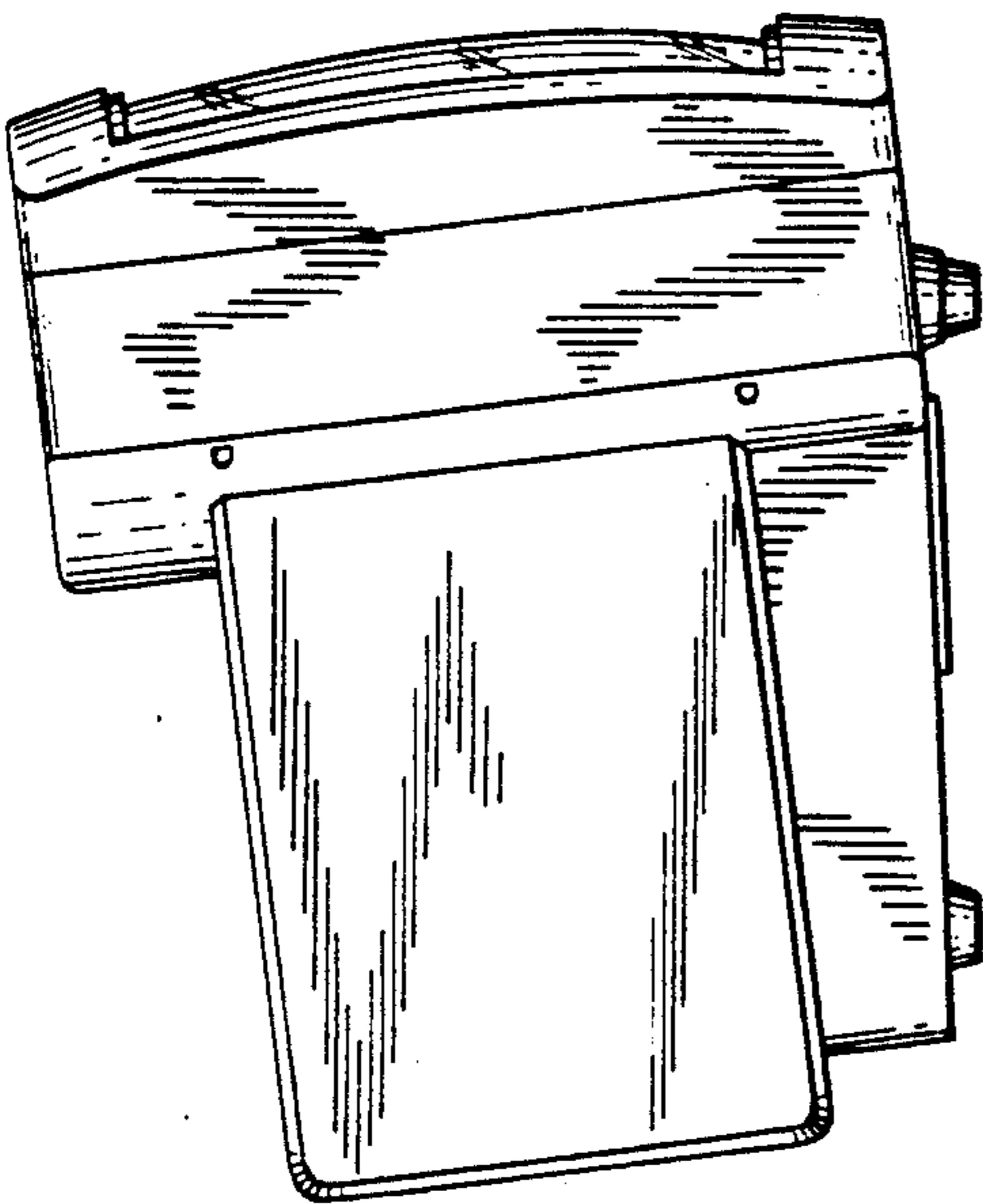


FIG. 4

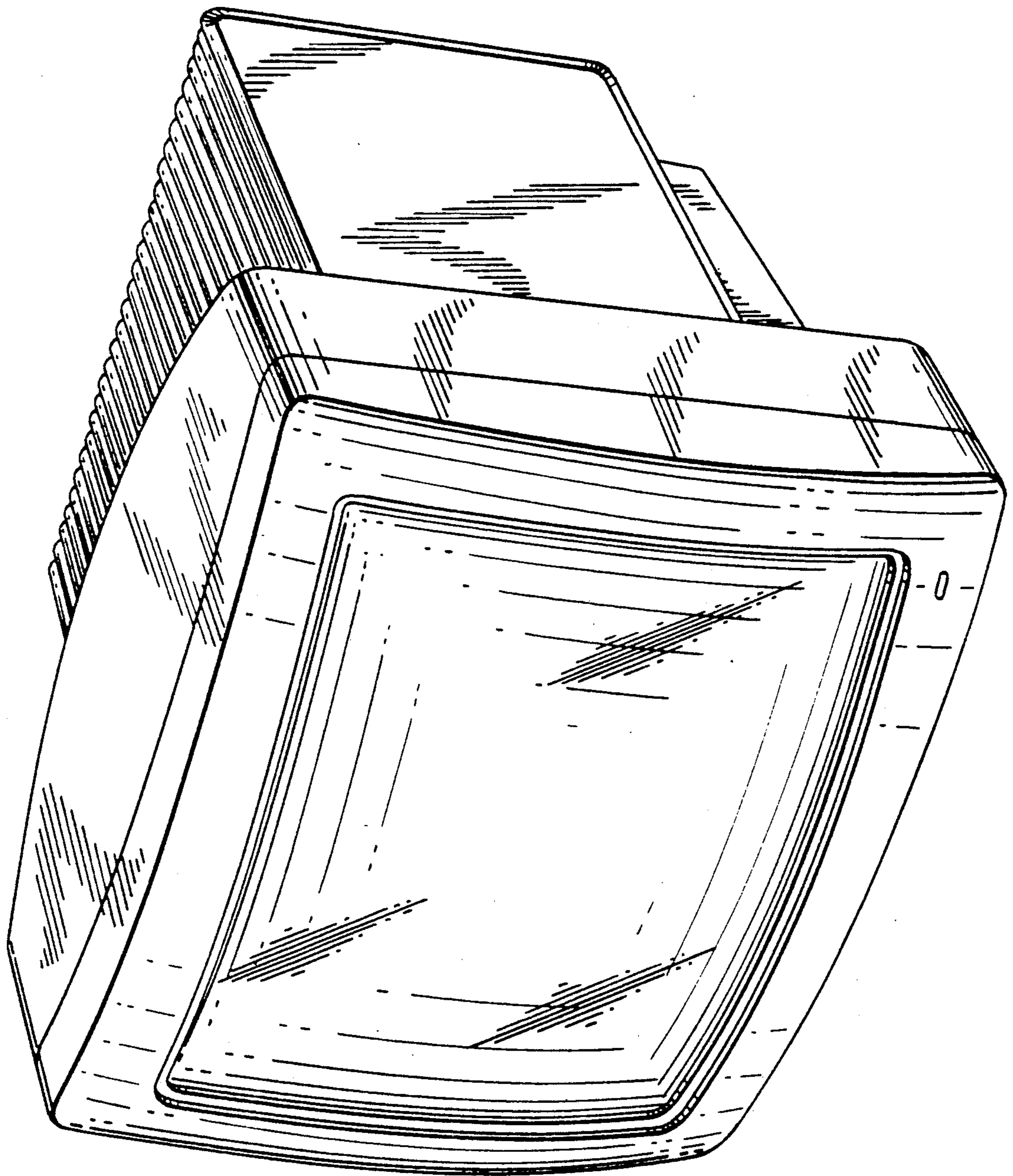


FIG. 7