

[54] HOUSING FOR AN ELECTRICAL CONNECTOR

[75] Inventor: Seiji Kozono, Shizuoka, Japan

[73] Assignee: Yazaki Corporation, Tokyo, Japan

[\*\*] Term: 14 Years

[21] Appl. No.: 388,555

[22] Filed: Aug. 2, 1989

[30] Foreign Application Priority Data

Feb. 8, 1989 [JP] Japan ..... 1-4141

[52] U.S. Cl. .... D13/133

[58] Field of Search ..... D13/146, 147; 439/147, 439/246, 247, 282, 292, 293, 345, 350, 352, 353, 357, 358, 577, 586, 587, 595, 598, 600, 680, 686, 695, 701, 724

[56] References Cited

U.S. PATENT DOCUMENTS

- D. 306,426 3/1990 Endo et al. .... D13/133
- D. 308,512 6/1990 Endo et al. .... D13/133
- D. 308,513 6/1990 Endo et al. .... D13/147
- D. 309,289 7/1990 Endo et al. .... D13/147
- 4,797,116 1/1989 Isohata et al. .... 439/595 X

4,826,452 5/1989 Sian et al. .... 439/595

Primary Examiner—Susan J. Lucas  
Assistant Examiner—J. Sincavage  
Attorney, Agent, or Firm—Sughrue, Mion, Zinn, Macpeak & Seas

[57] CLAIM

The ornamental design for a housing for an electrical connector, as shown and described.

DESCRIPTION

FIG. 1 is a front, top and right side perspective view of a housing for an electrical connector showing my new design;  
FIG. 2 is a front elevational view thereof;  
FIG. 3 is a rear elevational view thereof;  
FIG. 4 is a right side elevational view thereof, the opposite side being a mirror image thereof;  
FIG. 5 is a top plan view thereof;  
FIG. 6 is a bottom plan view thereof; and  
FIG. 7 is a front top and right perspective view thereof shown on a reduced scale with other components in exploded relationship. The broken line showing of the other components is included for the purpose of illustrating environmental elements only and forms no part of the claimed design.

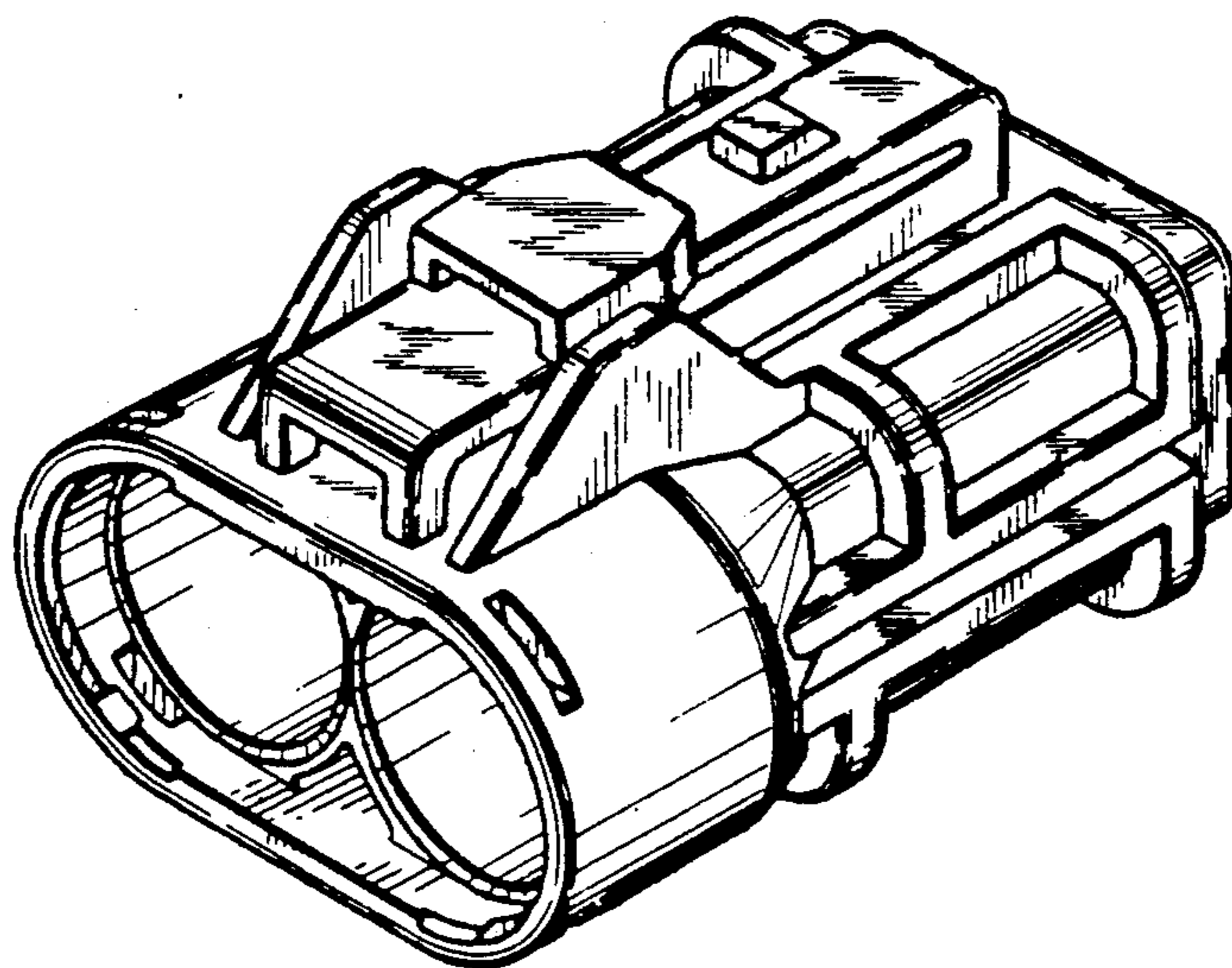


FIG. 1

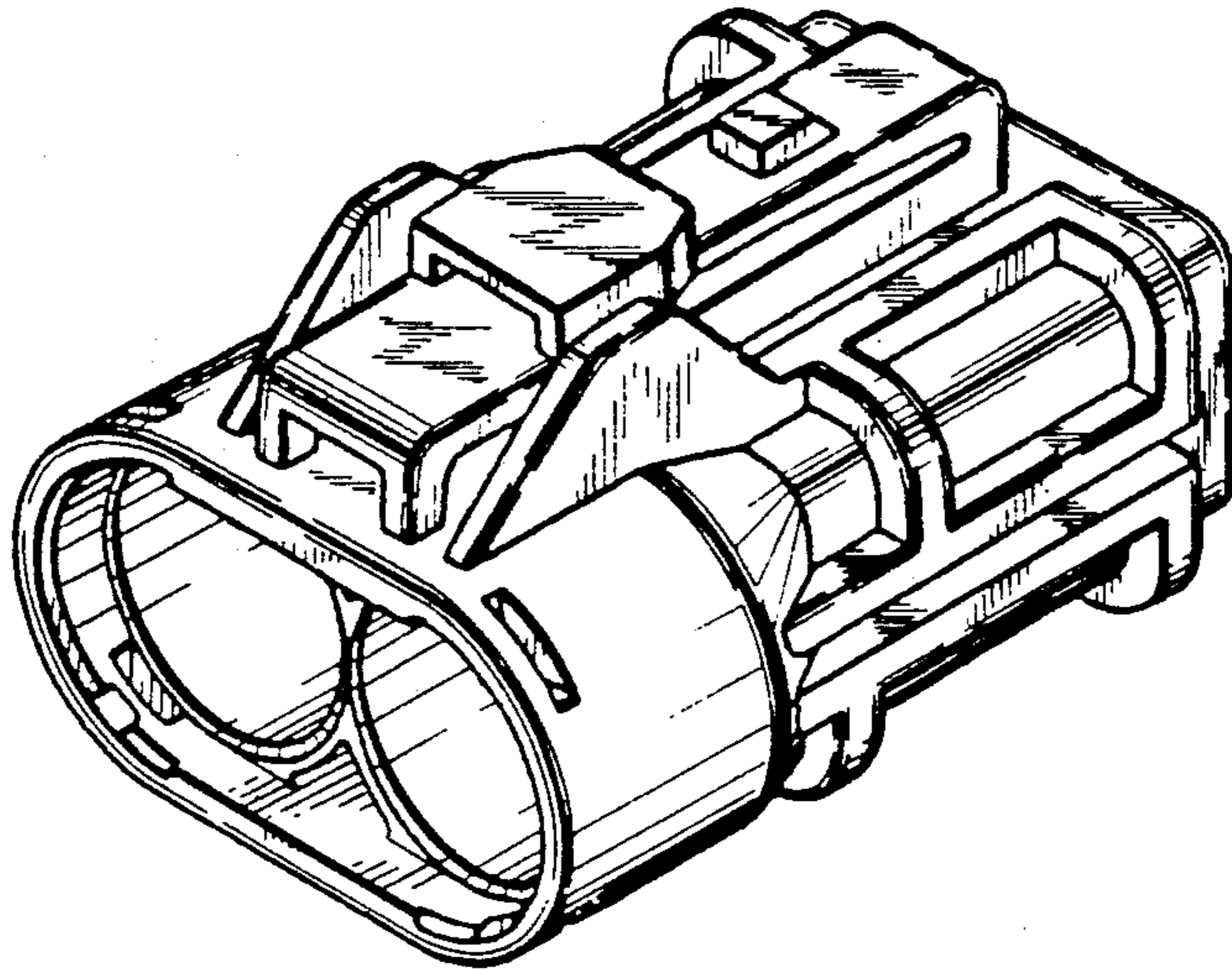


FIG. 2

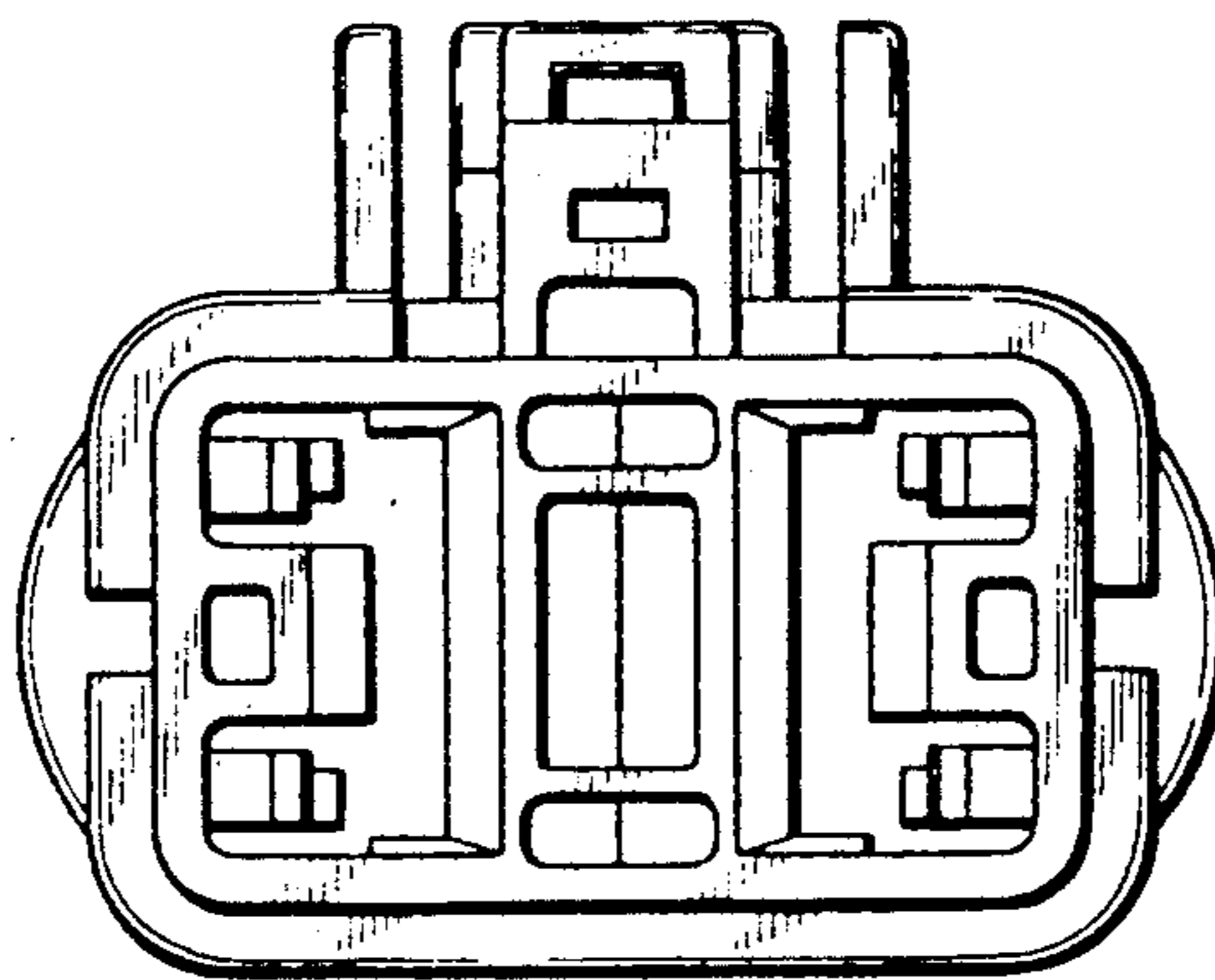


FIG. 3

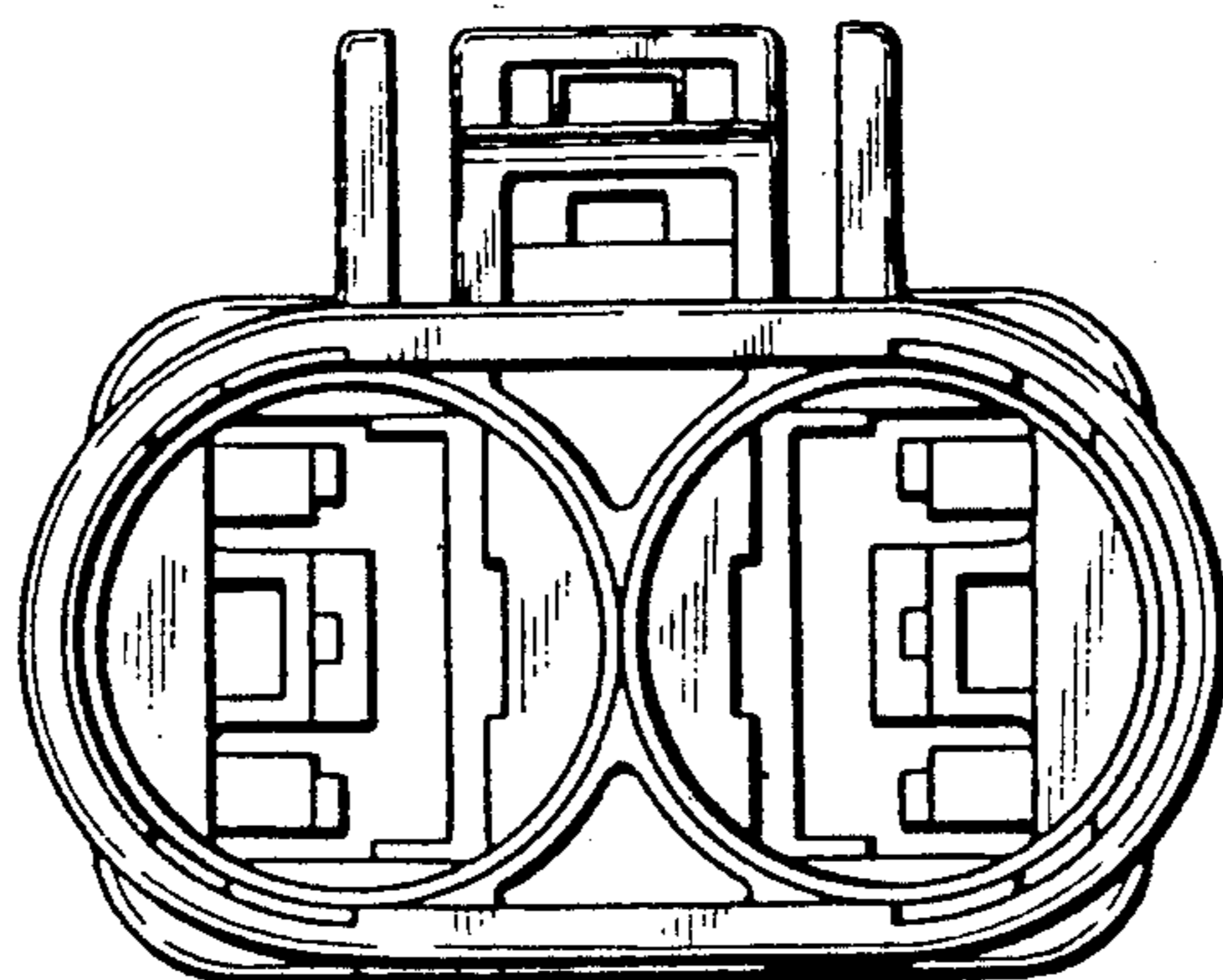


FIG. 4

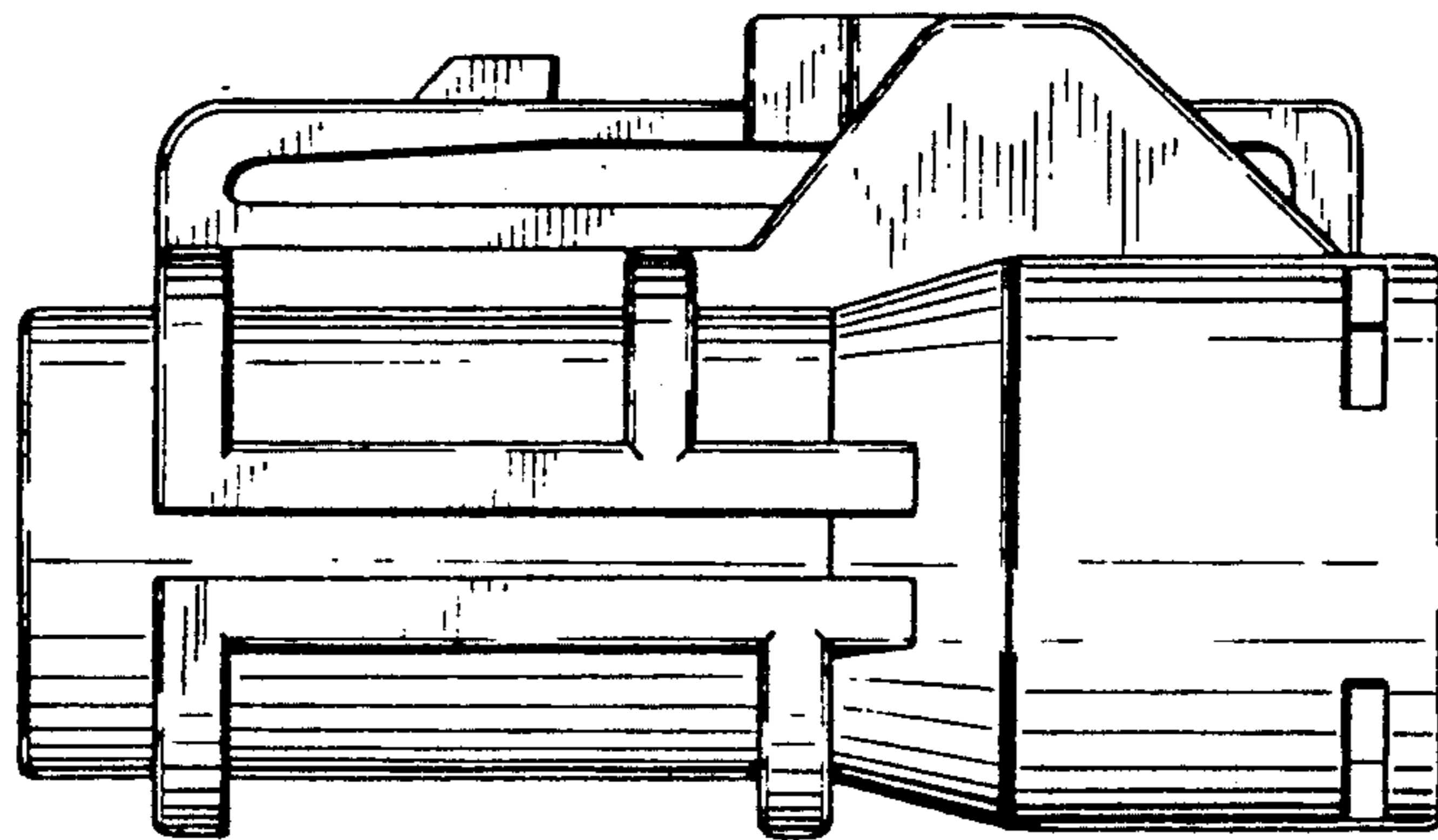


FIG. 5

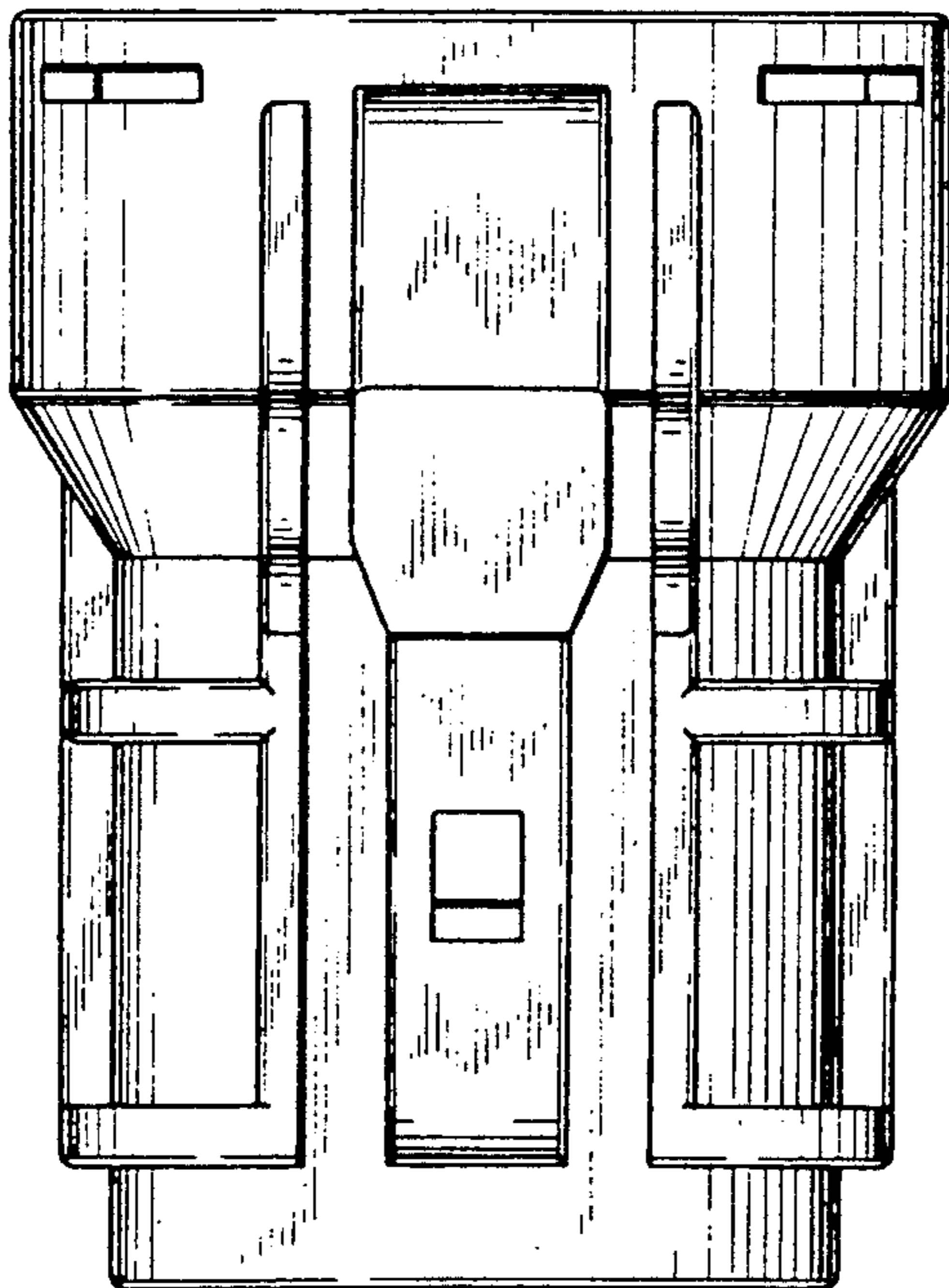
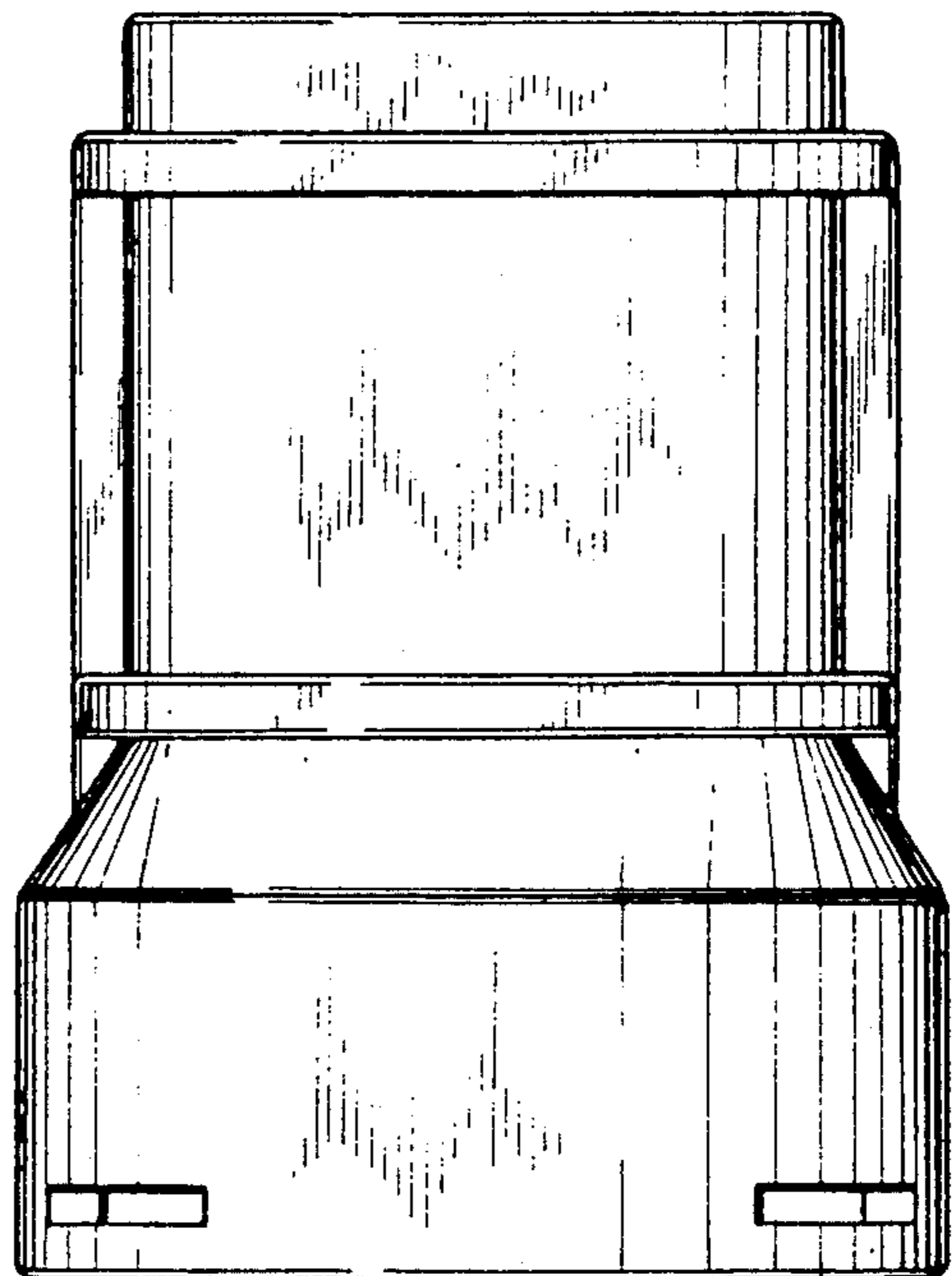


FIG. 6



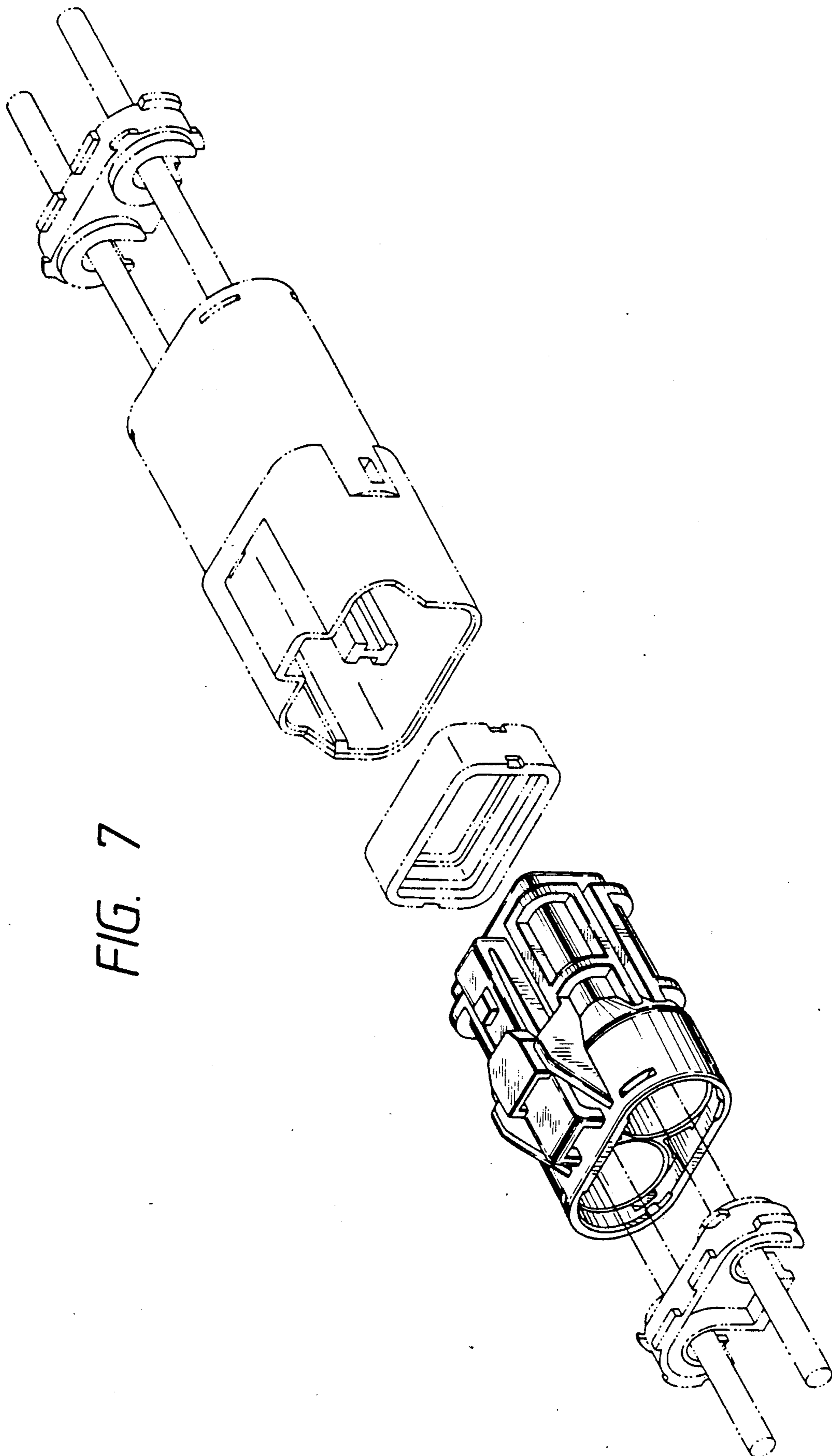


FIG. 7