

[54] SNOW SLED

[75] Inventor: August Schmid, Schwerzenbach, Switzerland

[73] Assignee: A. G. Schmid AG, Schwerzenbach, Switzerland

[**] Term: 14 Years

[21] Appl. No.: 431,860

[22] Filed: Nov. 3, 1989

[52] U.S. Cl. D12/11

[58] Field of Search D12/11, 6; 280/12.1, 280/18, 19

FOREIGN PATENT DOCUMENTS

1964299 6/1971 Fed. Rep. of Germany 280/18
1345215 10/1963 France 280/18
1216067 3/1986 U.S.S.R. 280/18

OTHER PUBLICATIONS

Coleco Corp. Flyer, Oct. 1969, Steering Thunderbolt Toboggan.
Ampell Playtime Products, Inc., Flyer, Mar. 1969, Trail-Blazer Kid-Dee Toboggans.

Primary Examiner—James M. Gandy
Assistant Examiner—Melody Brown
Attorney, Agent, or Firm—W. G. Fasse; D. H. Kane, Jr.

[56] References Cited

U.S. PATENT DOCUMENTS

D. 208,362	8/1967	Bowes et al.	D12/11
D. 216,530	2/1970	Ziff	D12/11
D. 226,937	5/1973	Heniges	D12/11
D. 236,963	9/1975	Sovia	D12/11
D. 280,308	8/1985	Cashmere	D12/11
D. 290,151	6/1987	Cashmere	D12/11
3,512,195	5/1970	Porsche	280/18
3,522,952	8/1970	Uttenthaler	280/18
3,794,341	2/1974	Torok	280/18
3,948,536	4/1976	Konrad	280/18

[57] CLAIM

The ornamental design for a snow sled, as shown.

DESCRIPTION

FIG. 1 is a perspective view of a snow sled showing my new design;
FIG. 2 is a top plan view thereof;
FIG. 3 is a bottom plan view thereof;
FIG. 4 is a left side elevation view thereof;
FIG. 5 is a rear elevation view thereof;
FIG. 6 is a front elevation view thereof;
FIG. 7 is a right side elevation view thereof.

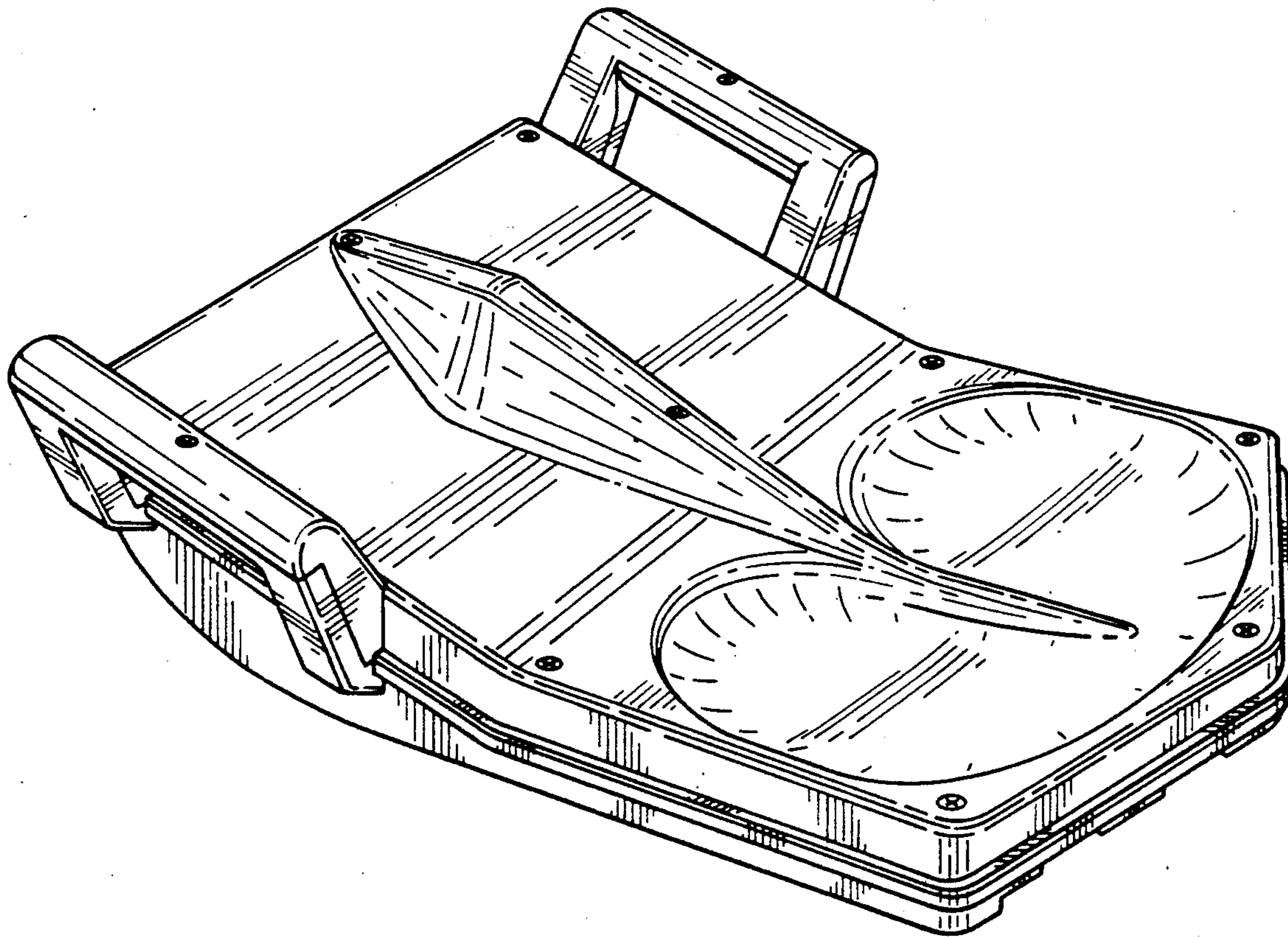


FIG. 1

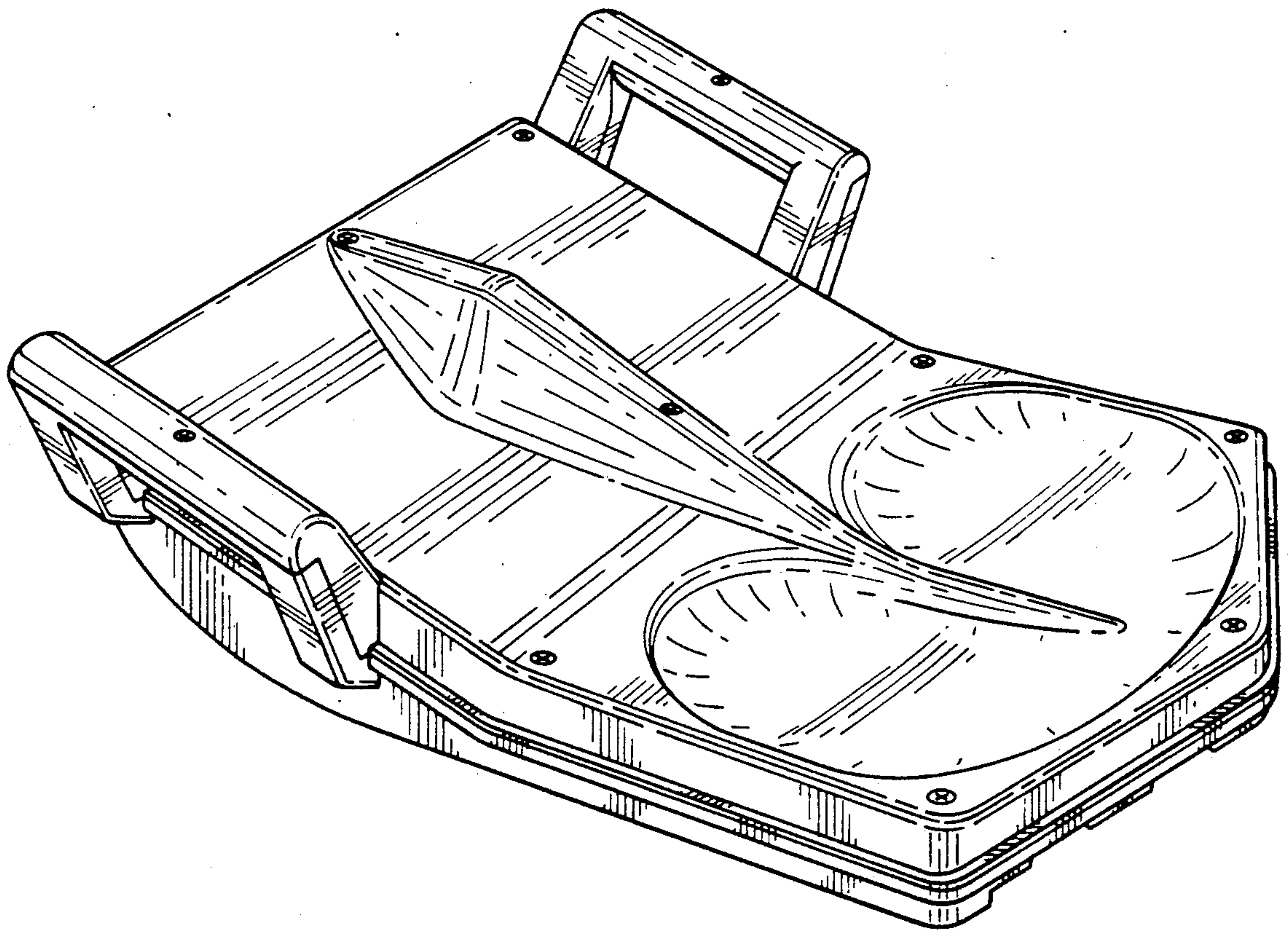


FIG. 2

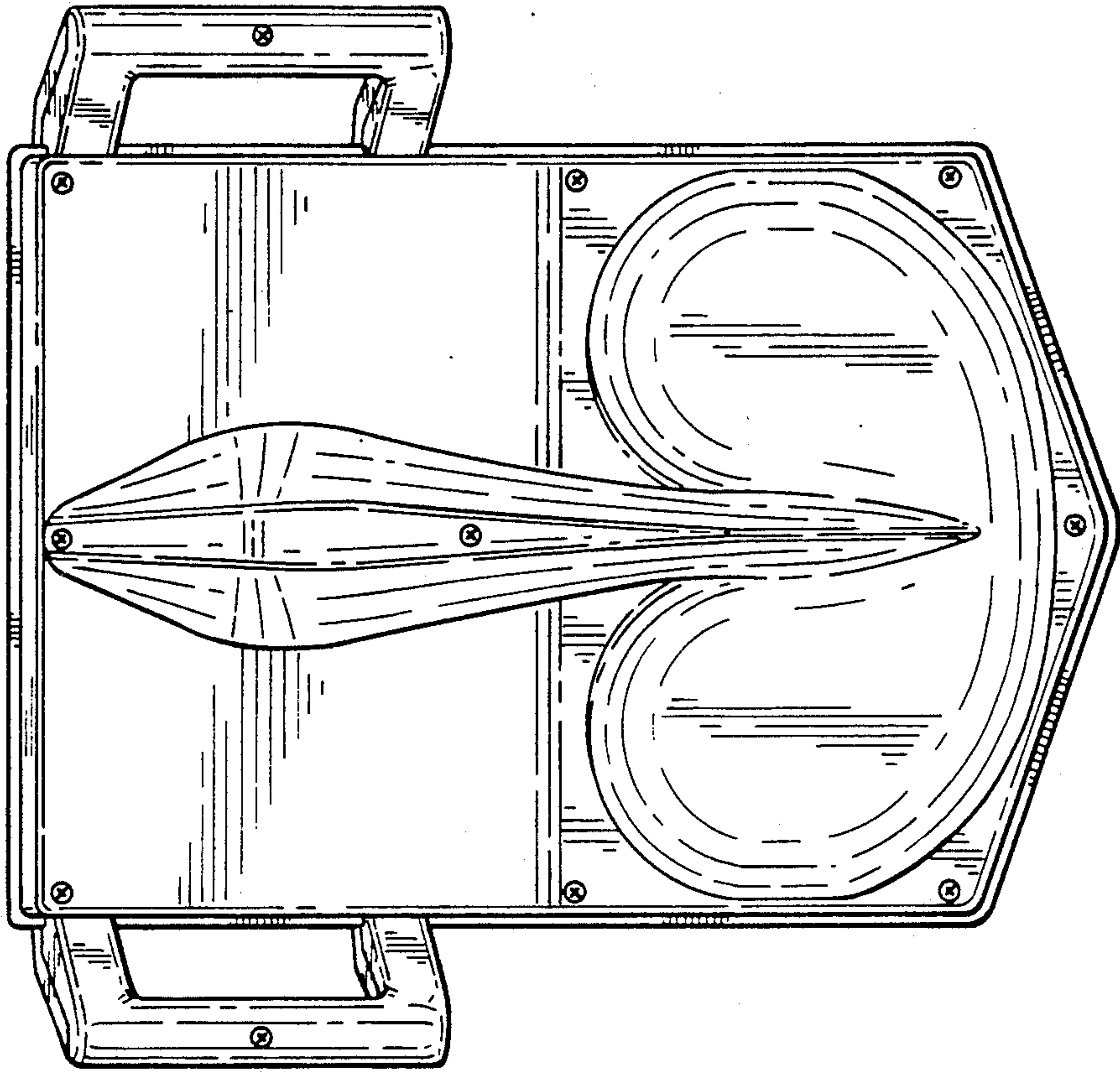
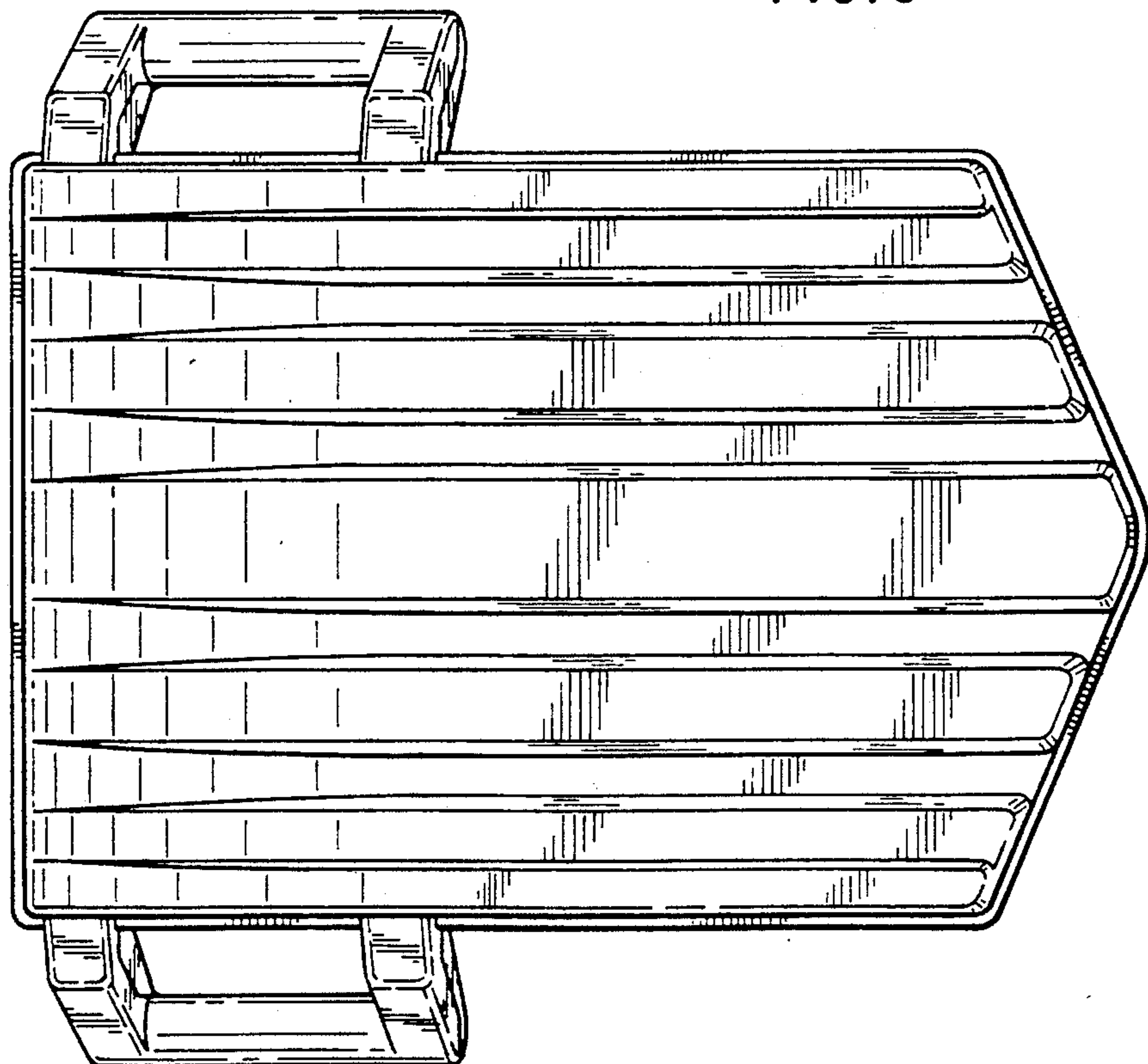


FIG. 3



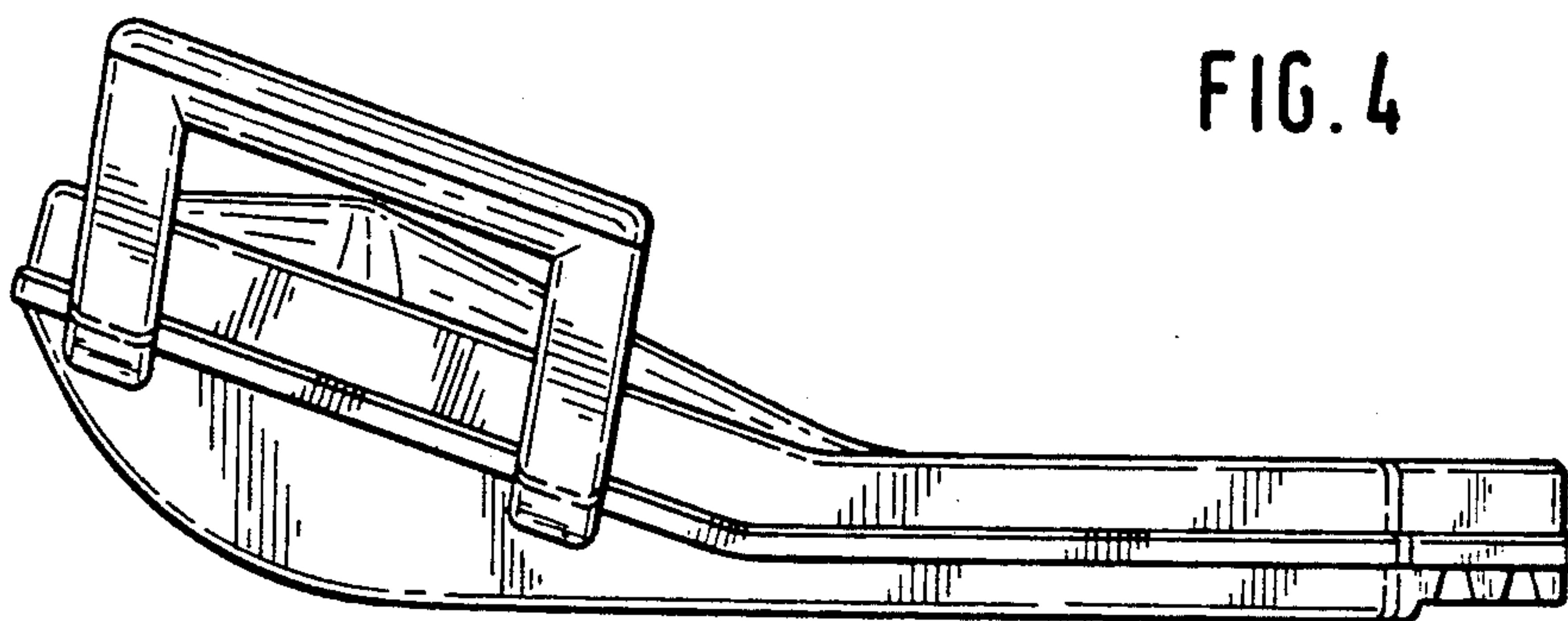


FIG. 4

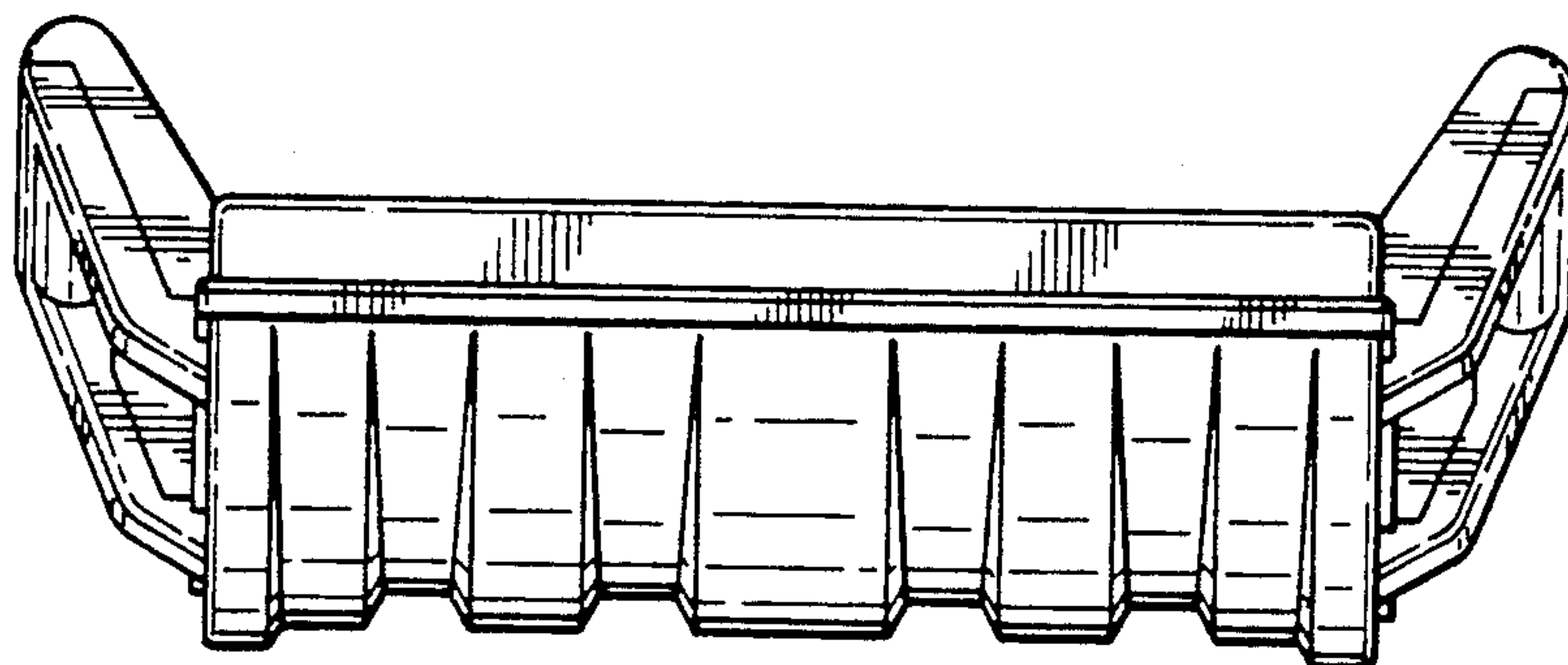


FIG. 5

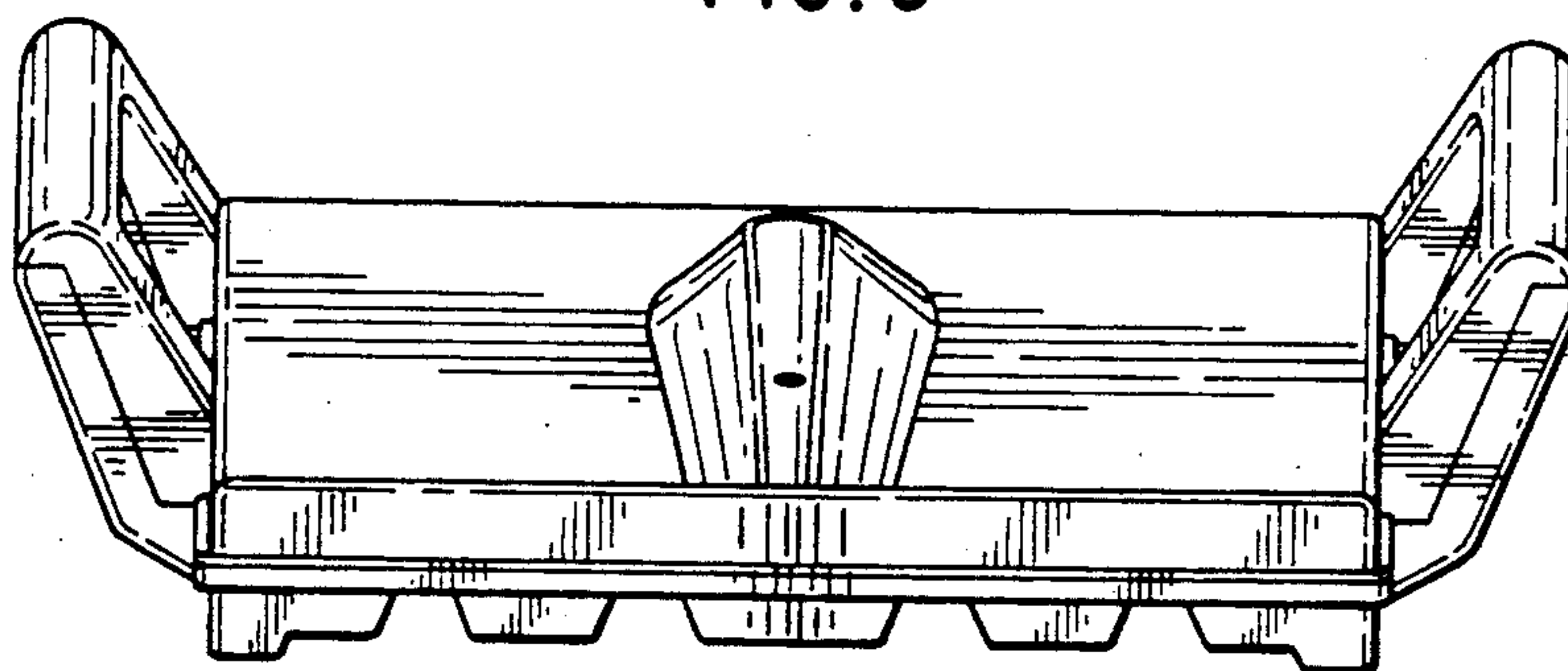


FIG. 6

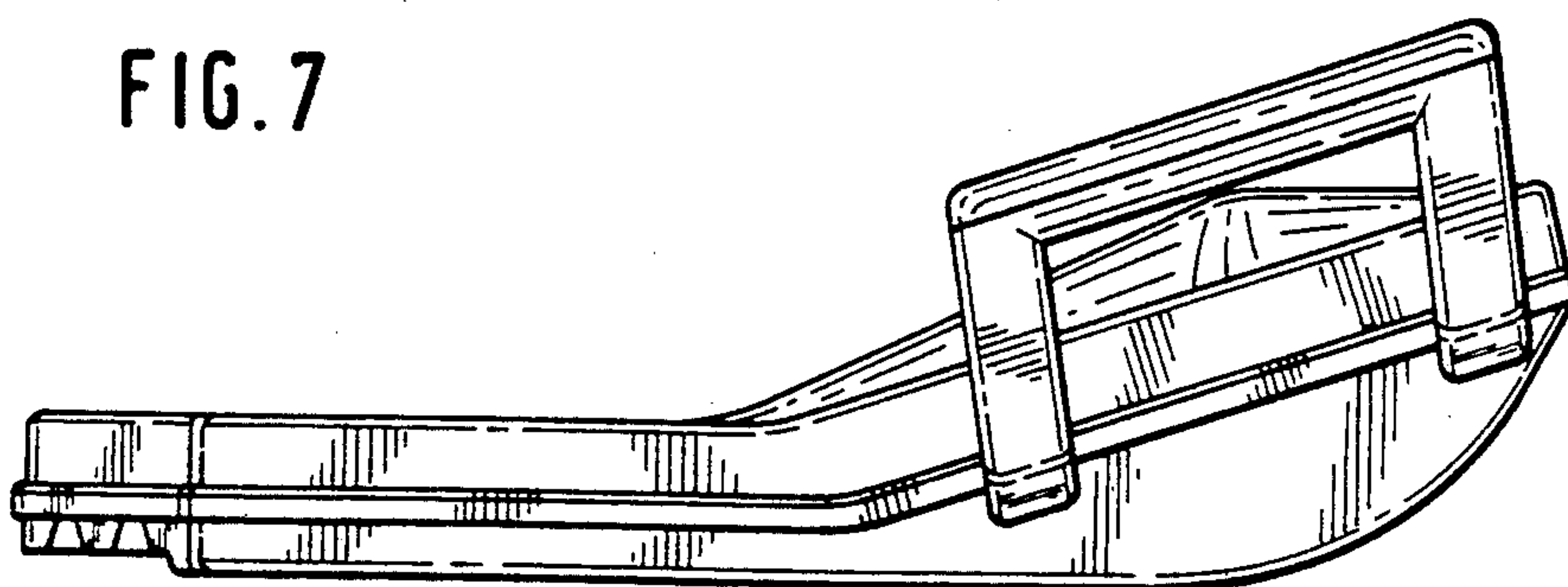


FIG. 7