

[54] TRANSMITTER BUOY

[75] Inventors: Thomas R. Krishan, Newtown Square; Peter W. Bressler; Eric A. Schneider, both of Philadelphia; Fernando M. Guidone, Exton; Albert C. Paulovitz, Kennett Square; William M. Gorman, Springfield, all of Pa.

[73] Assignee: Litton Systems, Inc., Springfield, Pa.

[**] Term: 14 Years

[21] Appl. No.: 390,336

[22] Filed: Aug. 7, 1989

[52] U.S. Cl. D10/107

[58] Field of Search D10/104, 107, 109; 116/107; 441/1, 6, 11, 13, 12, 20

[56] References Cited

U.S. PATENT DOCUMENTS

D. 310,792 9/1990 Dalbec D10/107
2,397,844 4/1946 Dewhurst D10/107

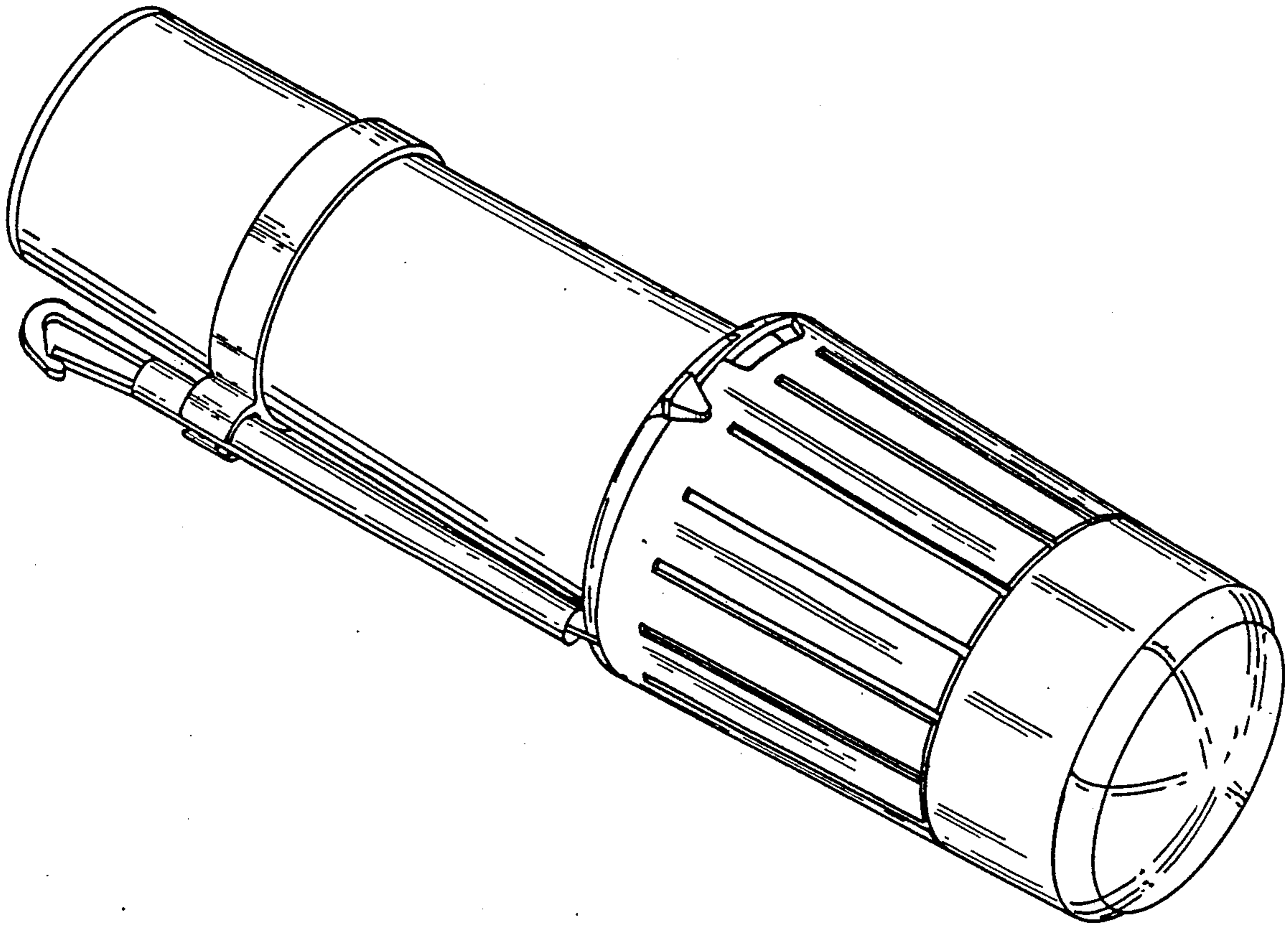
Primary Examiner—Wallace R. Burke
Assistant Examiner—Marcus Jackson
Attorney, Agent, or Firm—Brian L. Ribando

[57] CLAIM

The ornamental design for the transmitter buoy, as shown and described.

DESCRIPTION

FIG. 1 is a front elevational view of a transmitter buoy showing my new design;
FIG. 2 is a rear elevational view thereof;
FIG. 3 is a top plan view thereof, with the bottom being flat and unornamented;
FIG. 4 is a perspective view thereof.



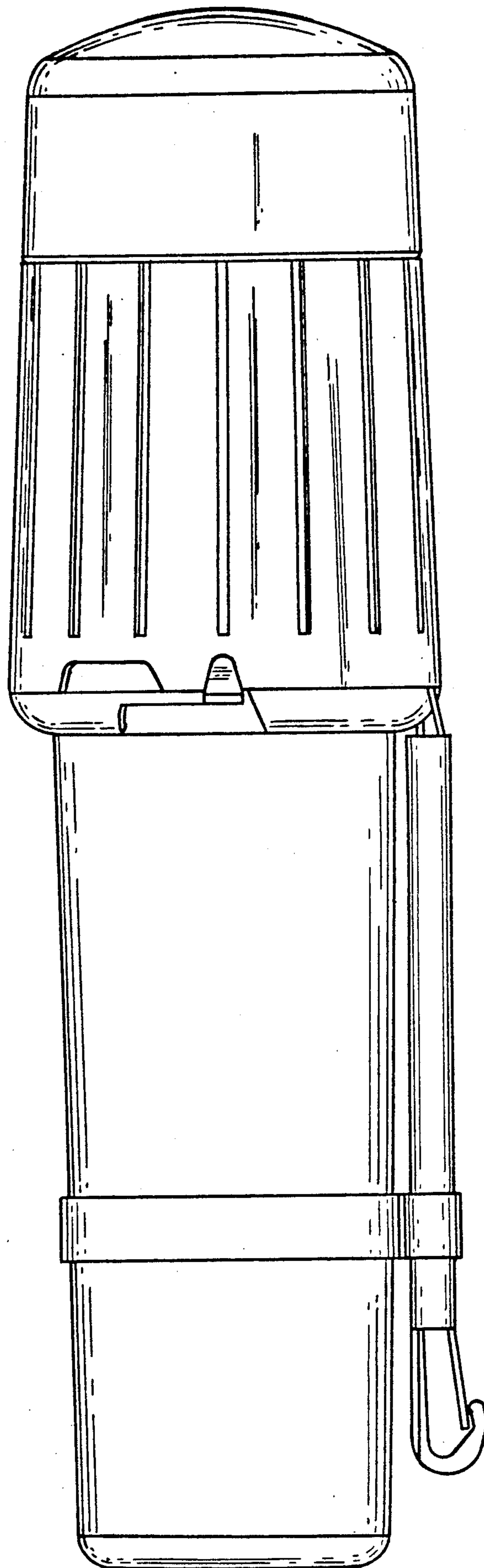


Fig-1

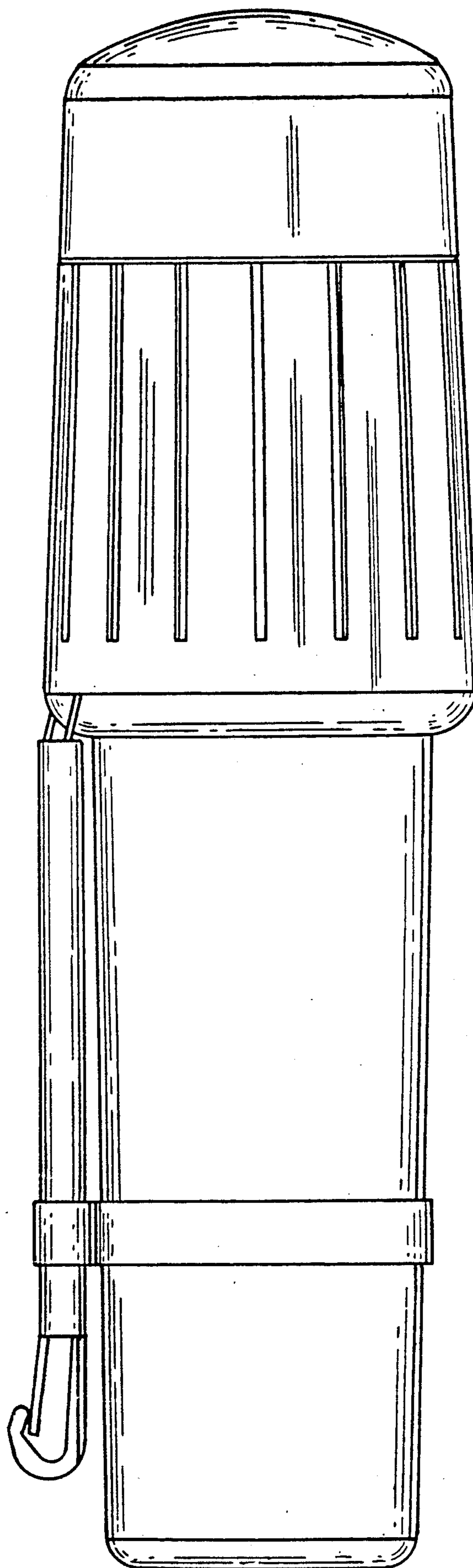


Fig-2

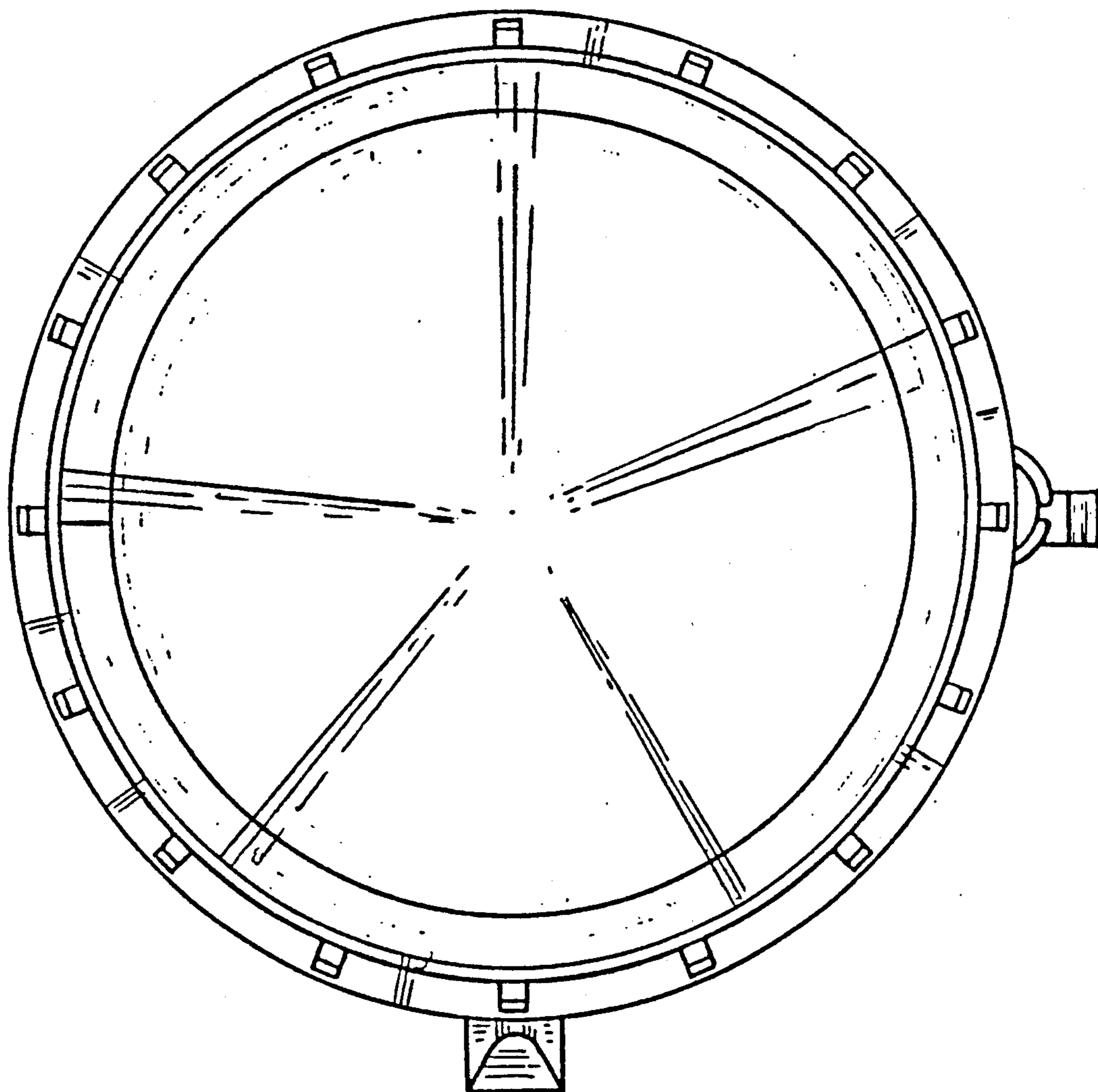


Fig-3

Fig.-4

