

[54] **FIRE DETECTOR**

[75] **Inventor: Hisashi Hatano, Tokyo, Japan**

[73] **Assignee: Nittan Company Limited, Tokyo, Japan**

[**] **Term: 14 Years**

[21] **Appl. No.: 203,029**

[22] **Filed: Jun. 6, 1988**

[52] **U.S. Cl. D10/106**

[58] **Field of Search D10/104, 106; 340/693, 340/628, 629, 630, 631, 593, 540; 250/574**

[56] **References Cited**

U.S. PATENT DOCUMENTS

D. 277,836 3/1985 Hattori D10/106
4,124,298 11/1978 Steele 250/574

4,730,182 3/1988 Jsubouchi 340/593
4,764,762 8/1988 Almour 340/540

Primary Examiner—James M. Gandy
Assistant Examiner—Marcus Jackson

[57] **CLAIM**

The ornamental design for a fire detector, as shown and described.

DESCRIPTION

FIG. 1 is a perspective view of a fire detector showing my new design;
FIG. 2 is a front elevational view thereof;
FIG. 3 is a rear elevational view thereof;
FIG. 4 is a top plan view thereof;
FIG. 5 is a bottom plan view thereof;
FIG. 6 is a side elevational view, with the opposite side being a mirror image thereof.

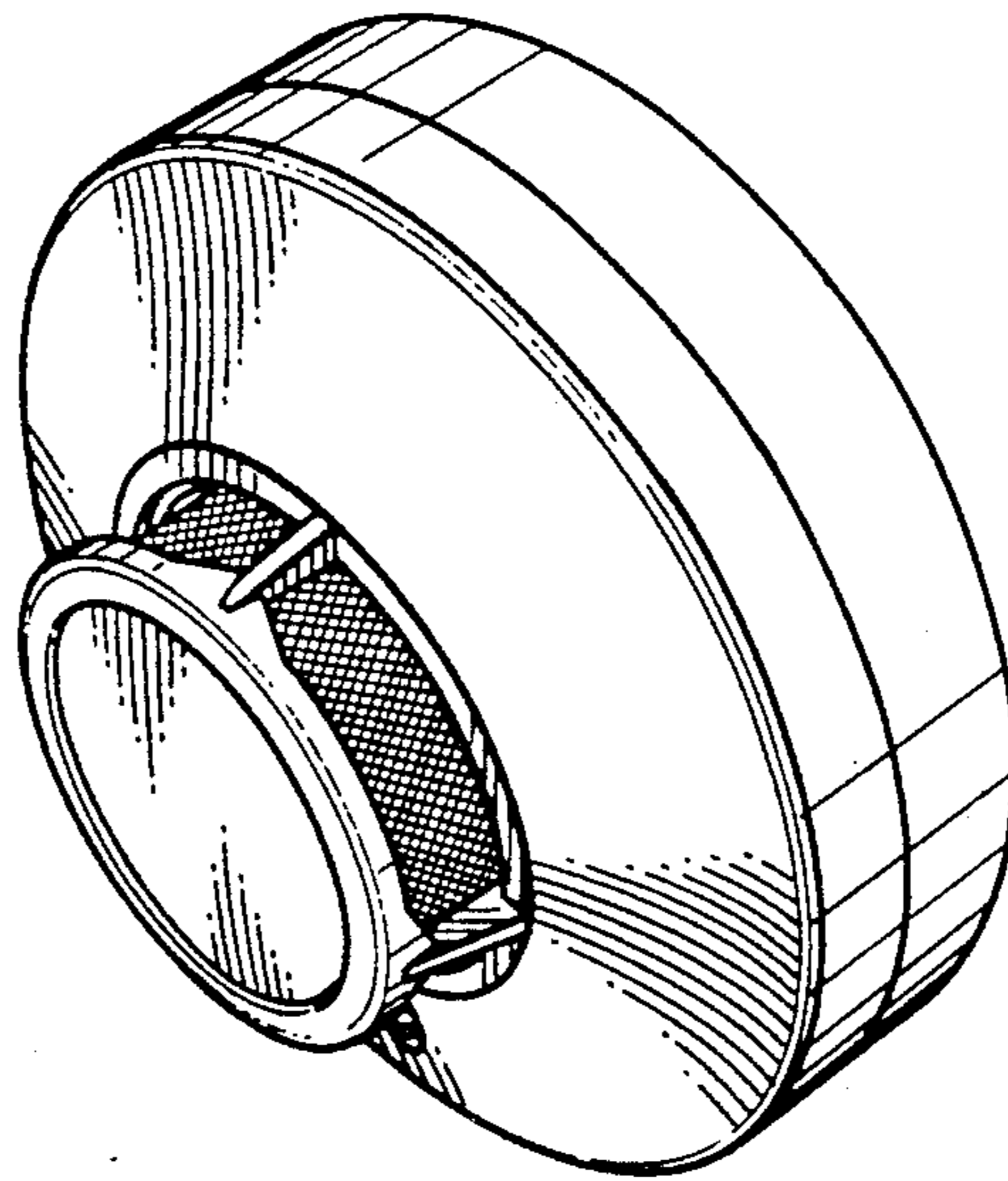


Fig. 1

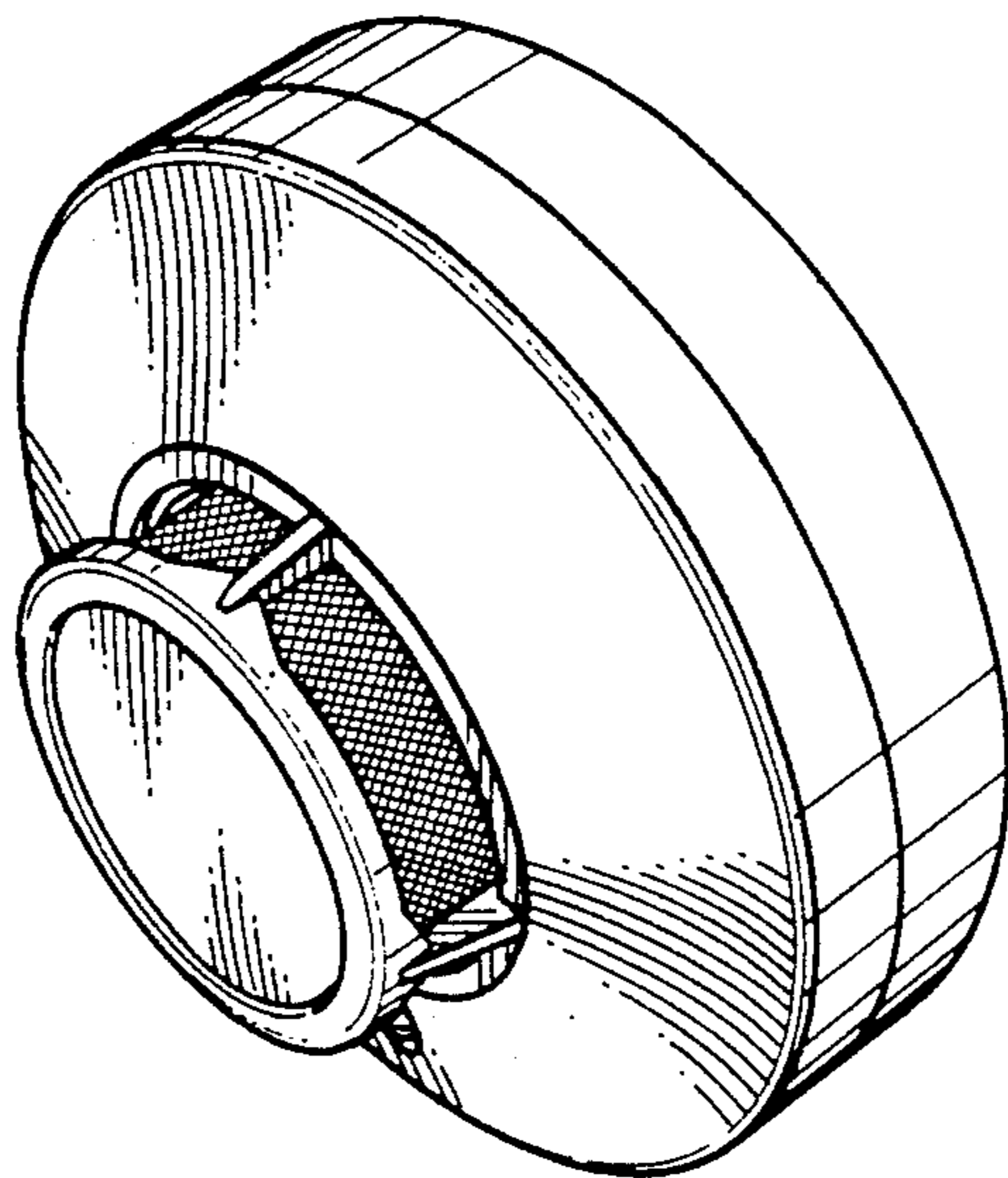


Fig. 2

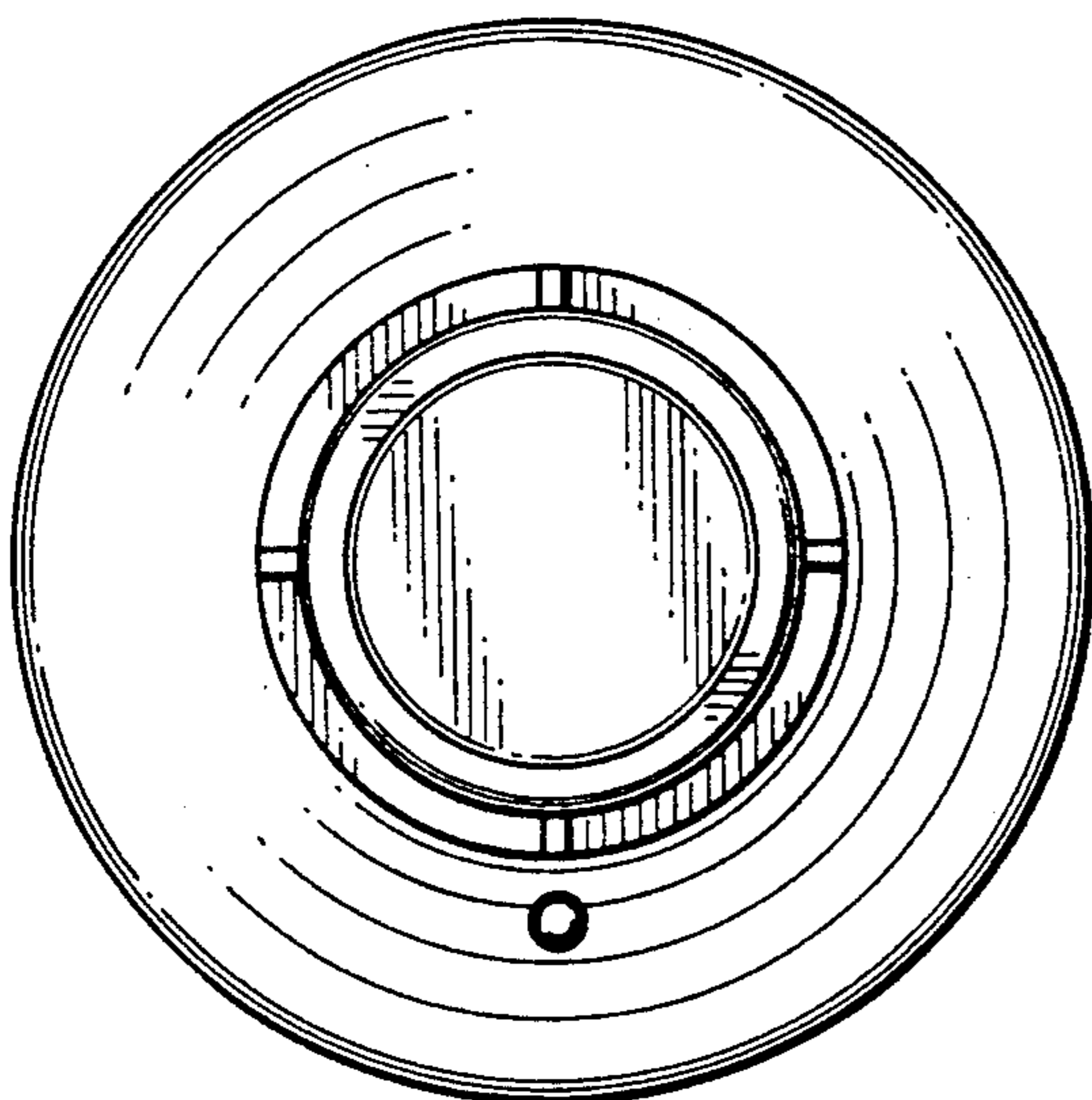


Fig. 3



Fig. 4

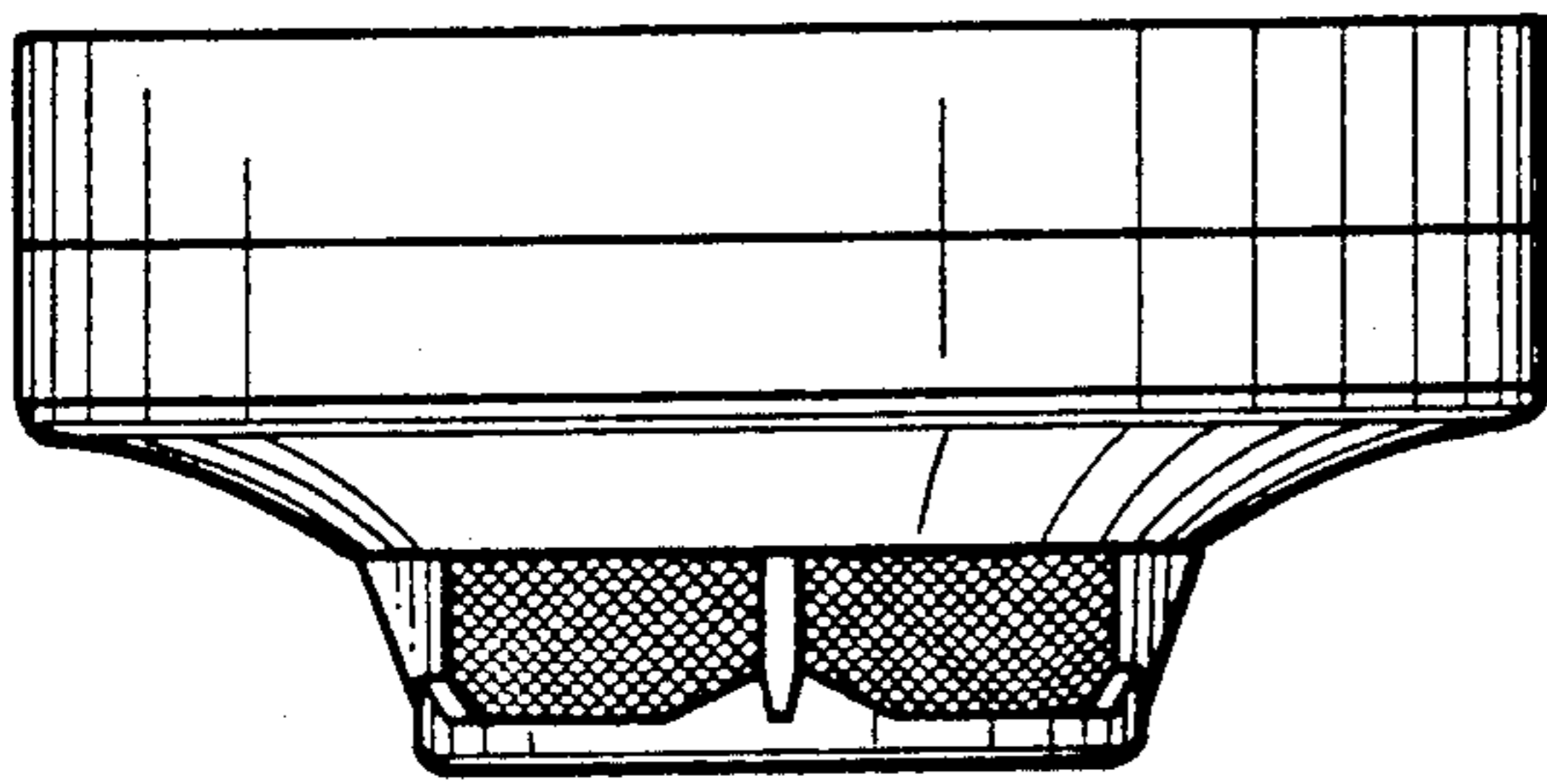


Fig. 5

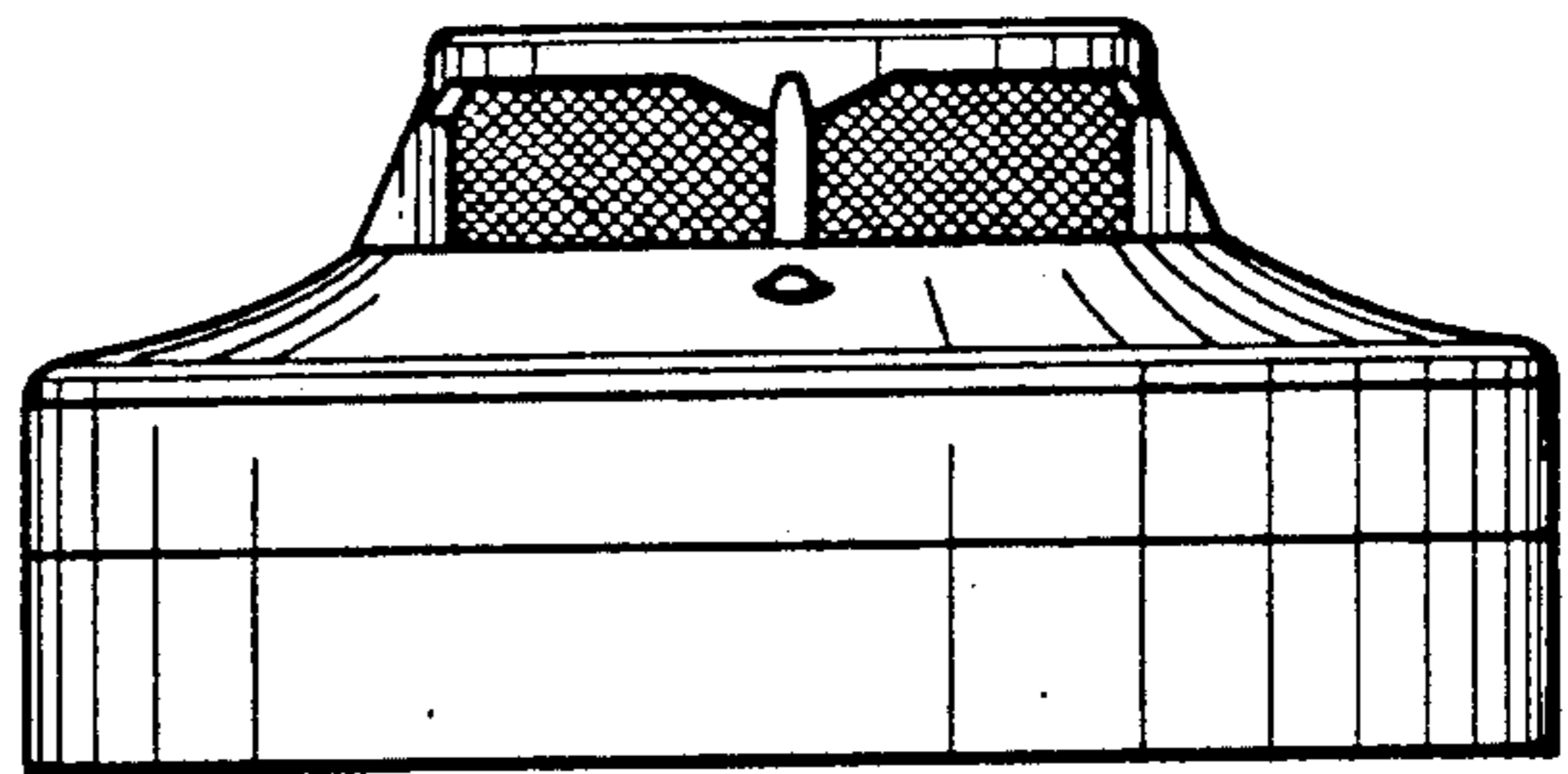


Fig. 6

