

[54] **BOX BASE**

- [75] **Inventor:** John D. Kilmartin, III, Providence, R.I.
 [73] **Assignee:** International Packaging Corporation, Pawtucket, R.I.
 [**] **Term:** 14 Years
 [21] **Appl. No.:** 326,528
 [22] **Filed:** Mar. 20, 1989
 [52] **U.S. Cl.** D9/423; D9/432
 [58] **Field of Search** D9/425, 423, 420, 432, D9/414; 206/470; 220/334, 338, 340, 641, 657; 229/163, 117.25

[56]

References Cited

U.S. PATENT DOCUMENTS

Re. 24,495	7/1958	Pace	229/117.25
D. 126,124	3/1941	Clemens	D9/423
D. 191,419	9/1961	Langer	D9/421
1,650,039	11/1927	Price	206/45.31
4,540,090	9/1985	Gelardi et al.	220/338 X
4,706,813	11/1987	Schneider et al.	220/338 X

OTHER PUBLICATIONS

Modern Packaging, 12-1979, p. 40, book style box, bottom second right of page.
 Packaging Catalog, 1940, p. 44, top right of page.
Primary Examiner—Bernard Ansher
Assistant Examiner—Prabhakar Deshmukh
Attorney, Agent, or Firm—Salter & Michaelson

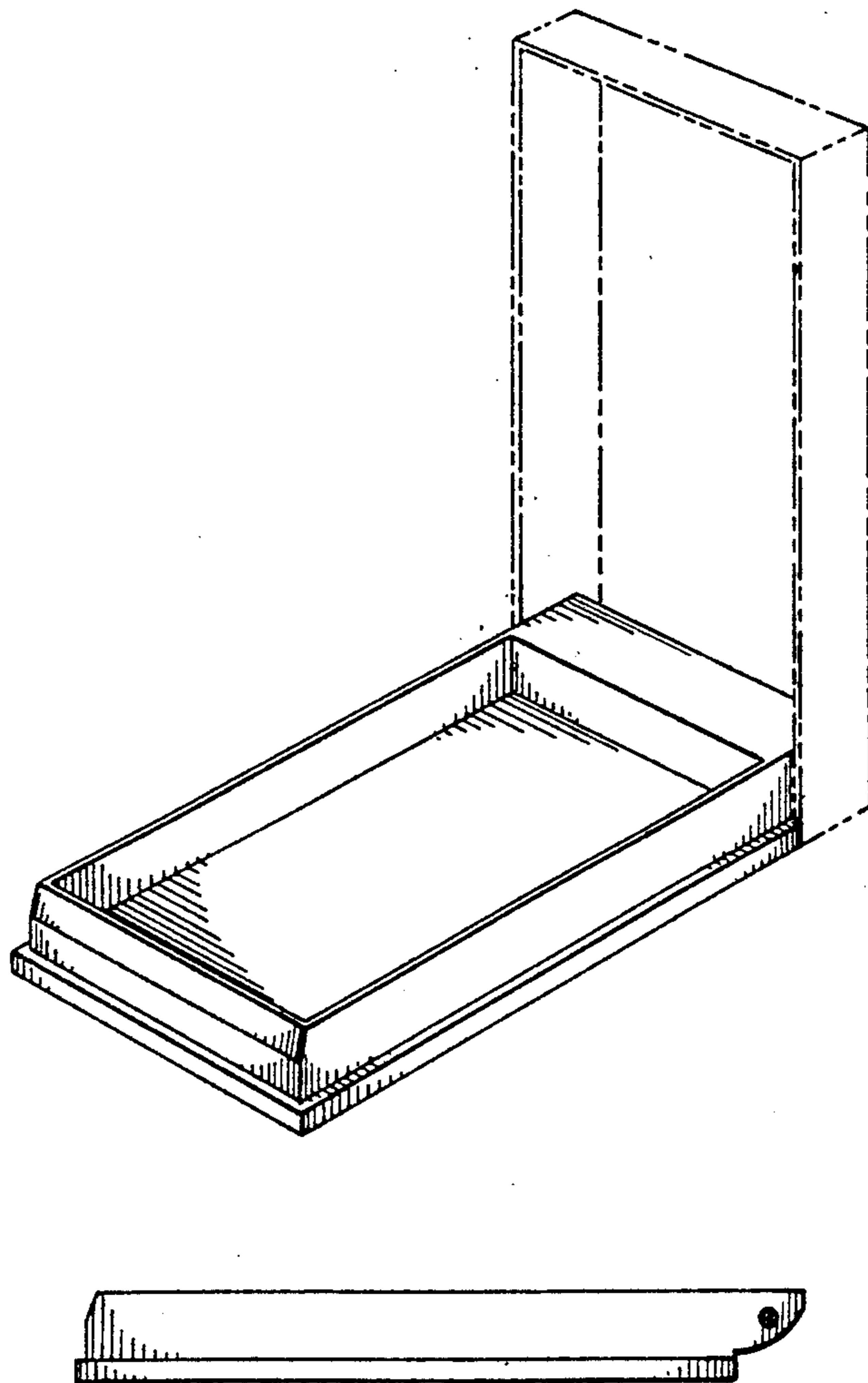
[57]

CLAIM

The ornamental design for a box base, as shown and described.

DESCRIPTION

FIG. 1 is a perspective view of a box base showing my new design;
 FIG. 2 is a right side elevation thereof; the left side elevation being a mirror image thereof;
 FIG. 3 is a top plan view thereof;
 FIG. 4 is a bottom plan view thereof;
 FIG. 5 is a front elevation thereof; and
 FIG. 6 is a rear elevational thereof.
 The broken lines showing of a box cover is for illustrative purpose only and forms no part of the claim.



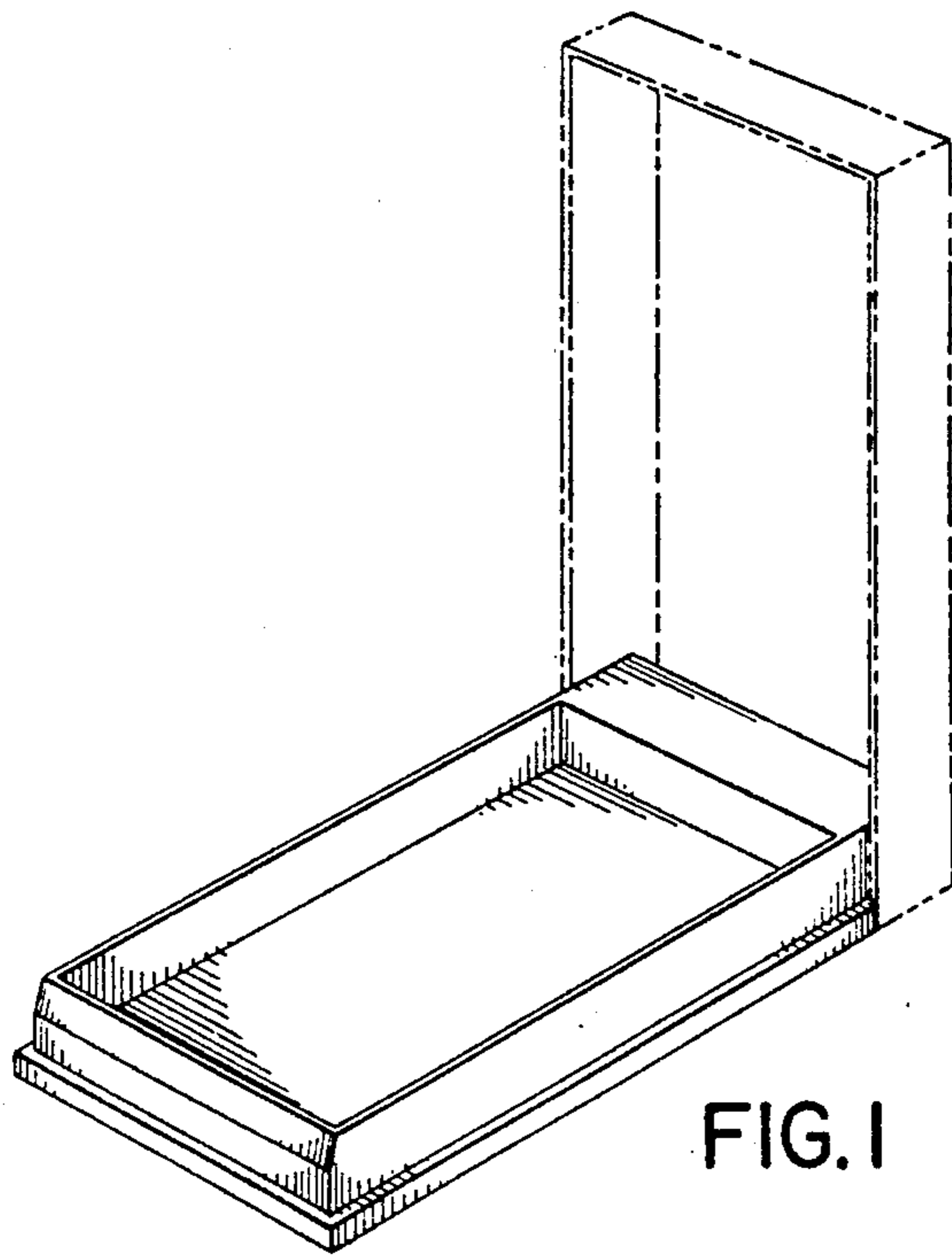


FIG. 1

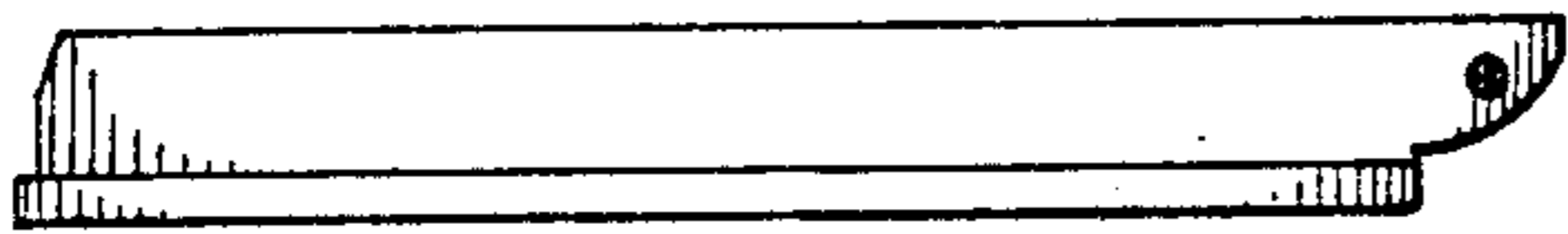


FIG. 2

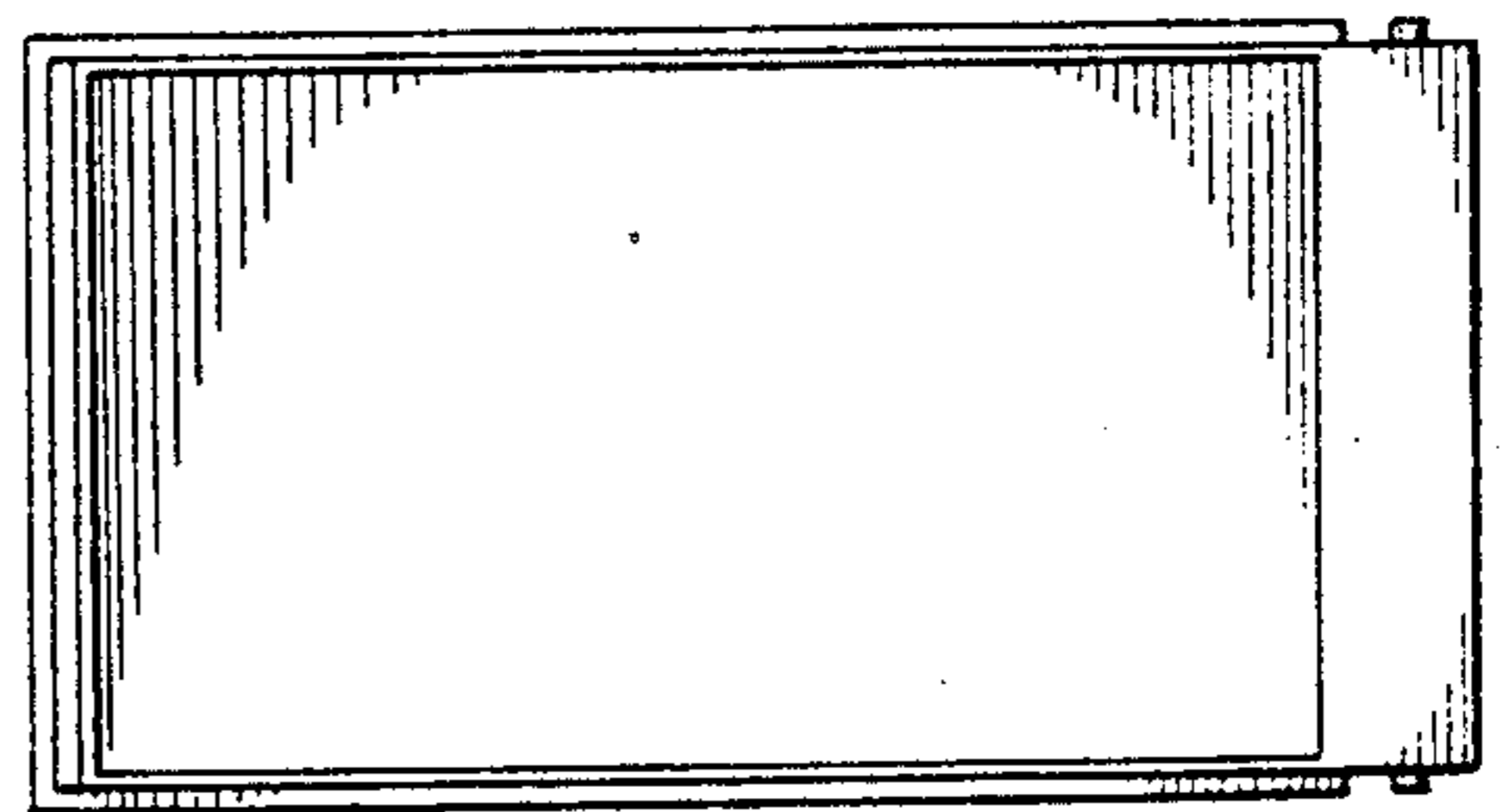


FIG. 3

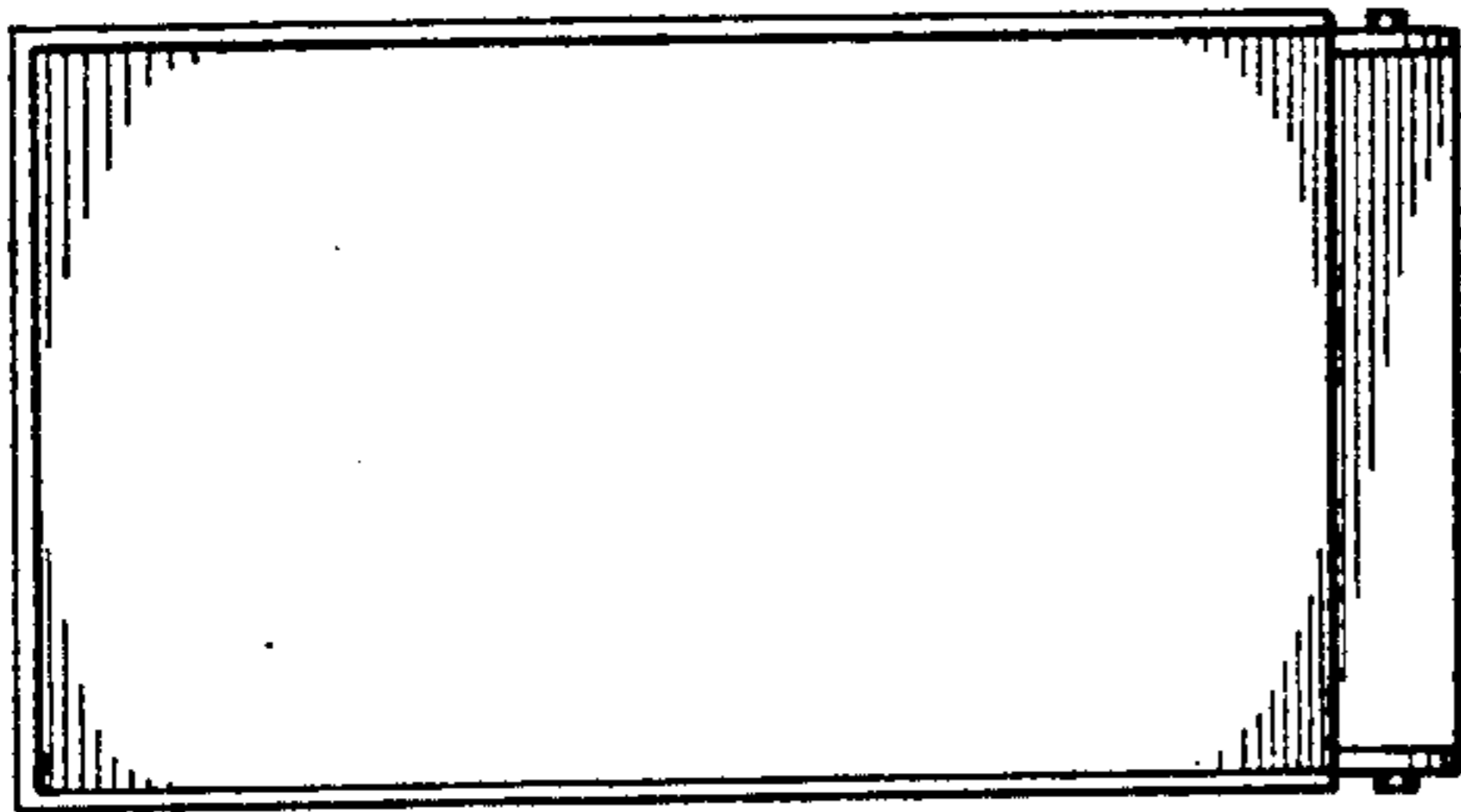


FIG. 4

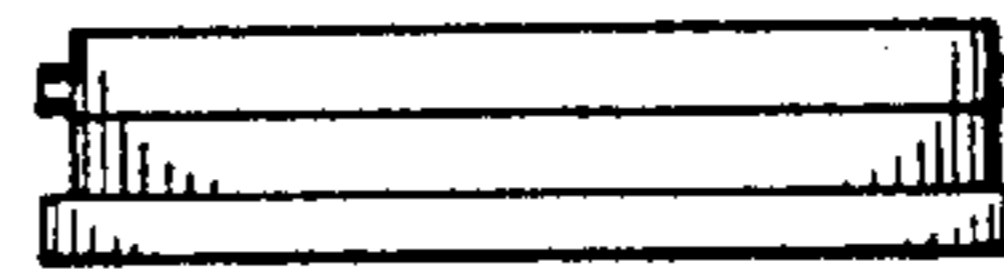


FIG. 5

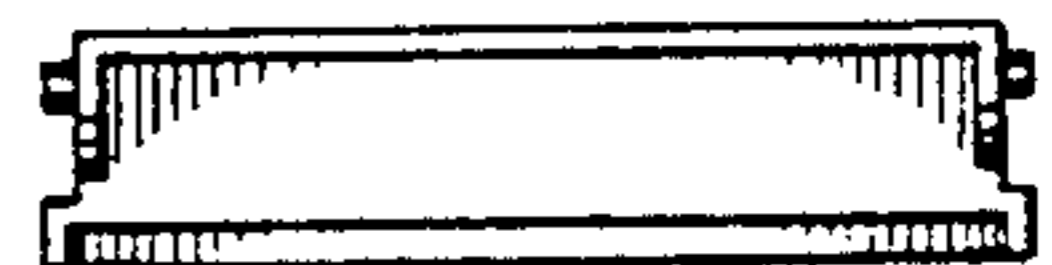


FIG. 6