

[54] **PACKAGING CONTAINER**

[75] **Inventor: Per Nylander, Jönköping, Sweden**

[73] **Assignee: Roby Teknik AB, Lund, Sweden**

[**] **Term: 14 Years**

[21] **Appl. No.: 618,098**

[22] **Filed: Nov. 26, 1990**

Related U.S. Application Data

[62] **Division of Ser. No. 143,614, Jan. 13, 1988.**

[30] **Foreign Application Priority Data**

Jul. 13, 1987 [SE]	Sweden	871584
Jul. 13, 1987 [SE]	Sweden	871585
Jul. 13, 1987 [SE]	Sweden	871586
Jul. 13, 1987 [SE]	Sweden	871587
Jul. 13, 1987 [SE]	Sweden	871588
Jul. 13, 1987 [SE]	Sweden	871590
Jul. 13, 1987 [SE]	Sweden	871591
Jul. 13, 1987 [SE]	Sweden	871592
Jul. 13, 1987 [SE]	Sweden	871593
Jul. 15, 1989 [SE]	Sweden	871589

[52] **U.S. Cl. D9/417; D7/319; D9/376**

[58] **Field of Search D9/417, 414, 416, 376, D9/378, 374, 380-383, 401, 430-433; D7/316-322, 622; 229/117.23, DIG. 6, 125.11, 125.09, 106; 215/100 A; 220/94 R; 222/465.1, 210**

[56] **References Cited**

U.S. PATENT DOCUMENTS

D. 167,214	7/1952	Lapin	D7/622
D. 173,198	10/1954	Glauber	D7/622
D. 182,215	2/1958	Wilson	D7/622
D. 195,685	7/1963	Cornelius	D7/317
D. 199,814	12/1964	Mojonnier	D9/376
2,784,892	3/1957	Feher	229/125.09
2,979,225	4/1961	Noffsinger	229/DIG. 6 X
4,718,598	1/1988	Pupp et al.	229/117.23
4,804,134	2/1989	Reil	229/125.11 X

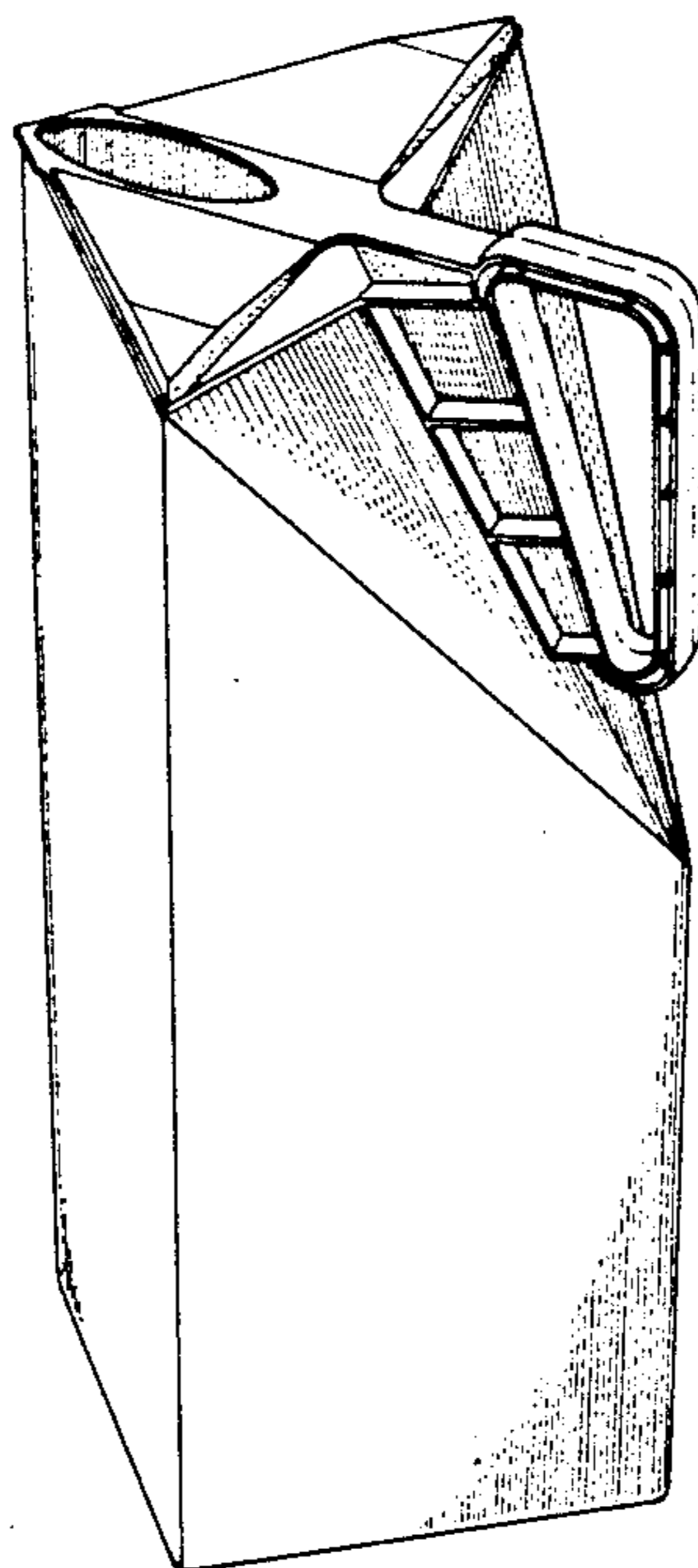
Primary Examiner—Melvin B. Feifer
Assistant Examiner—Lucy Lieberman
Attorney, Agent, or Firm—Burns, Doane, Swecker & Mathis

[57] **CLAIM**

The ornamental design for a packaging container, as shown and described.

DESCRIPTION

FIG. 1 is a right side view of a packaging container showing my new design, the left side is a mirror image thereof;
 FIG. 2 is a top, right side perspective view thereof;
 FIG. 3 is a top plan view thereof;
 FIG. 4 is a bottom front perspective view thereof;
 FIG. 5 is a bottom rear perspective view thereof;
 FIG. 6 is a right side view of a second embodiment of the packaging container, the left side is a mirror image thereto;
 FIG. 7 is a top right side perspective view of the second embodiment;
 FIG. 8 is a top plan view of the second embodiment;
 FIG. 9 is a bottom front perspective view of the second embodiment; and
 FIG. 10 is a bottom perspective view of the second embodiment.



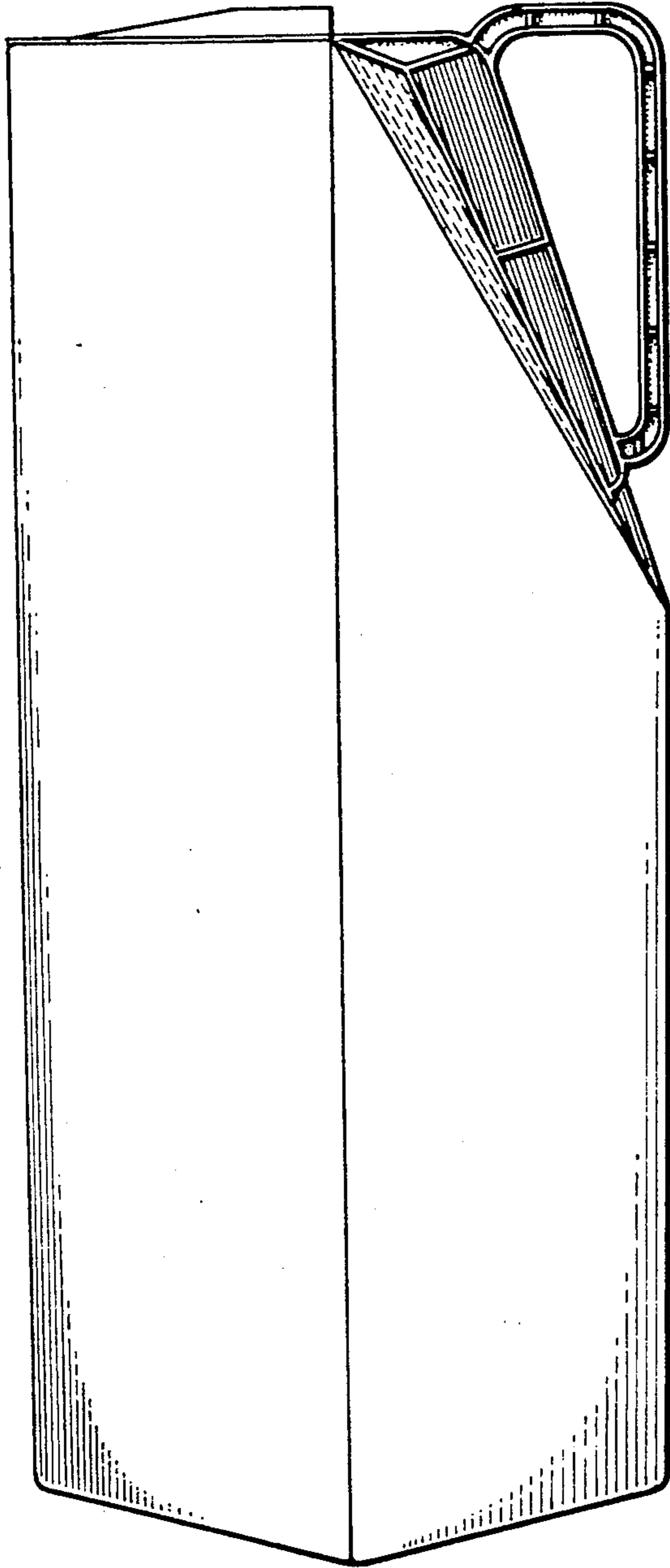


FIG. 1

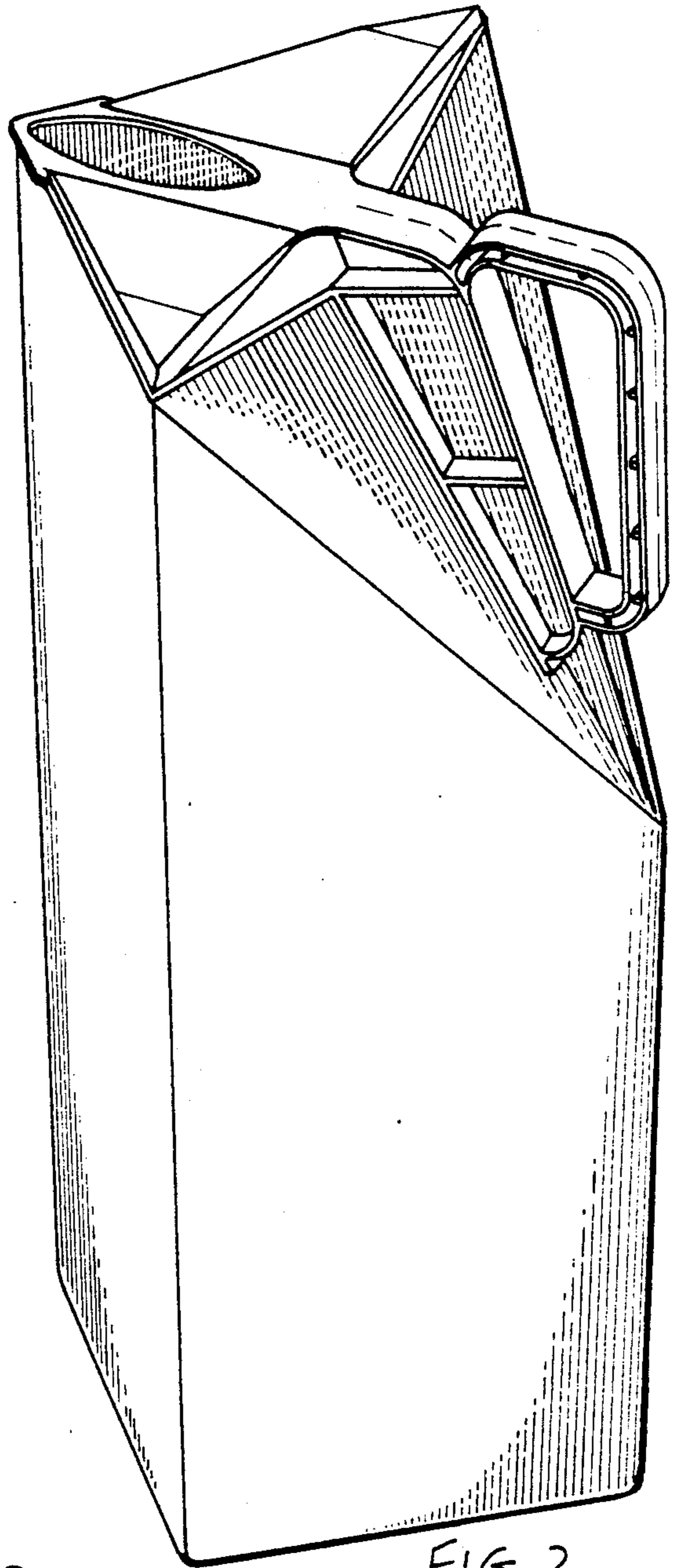


FIG. 2

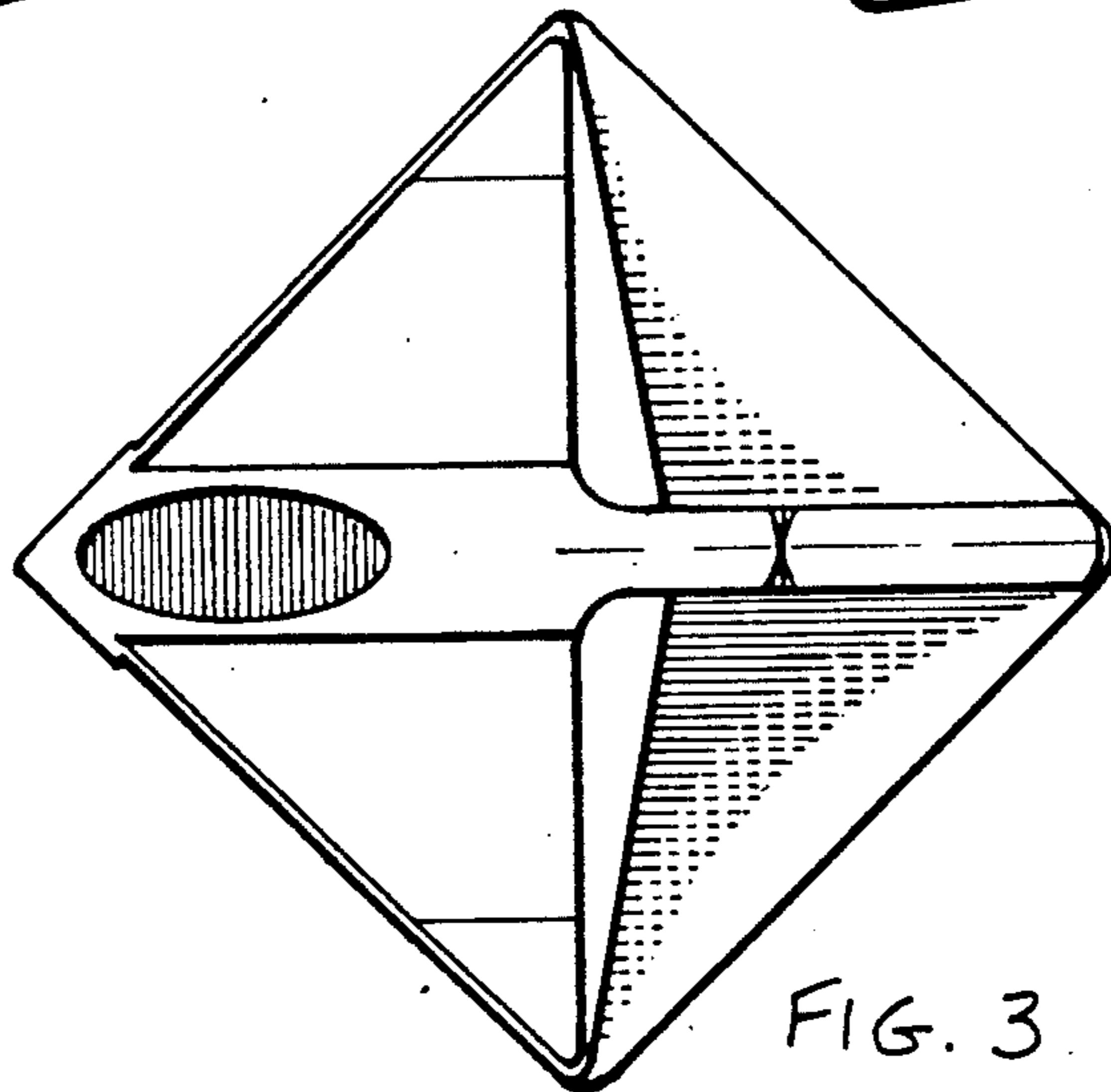


FIG. 3

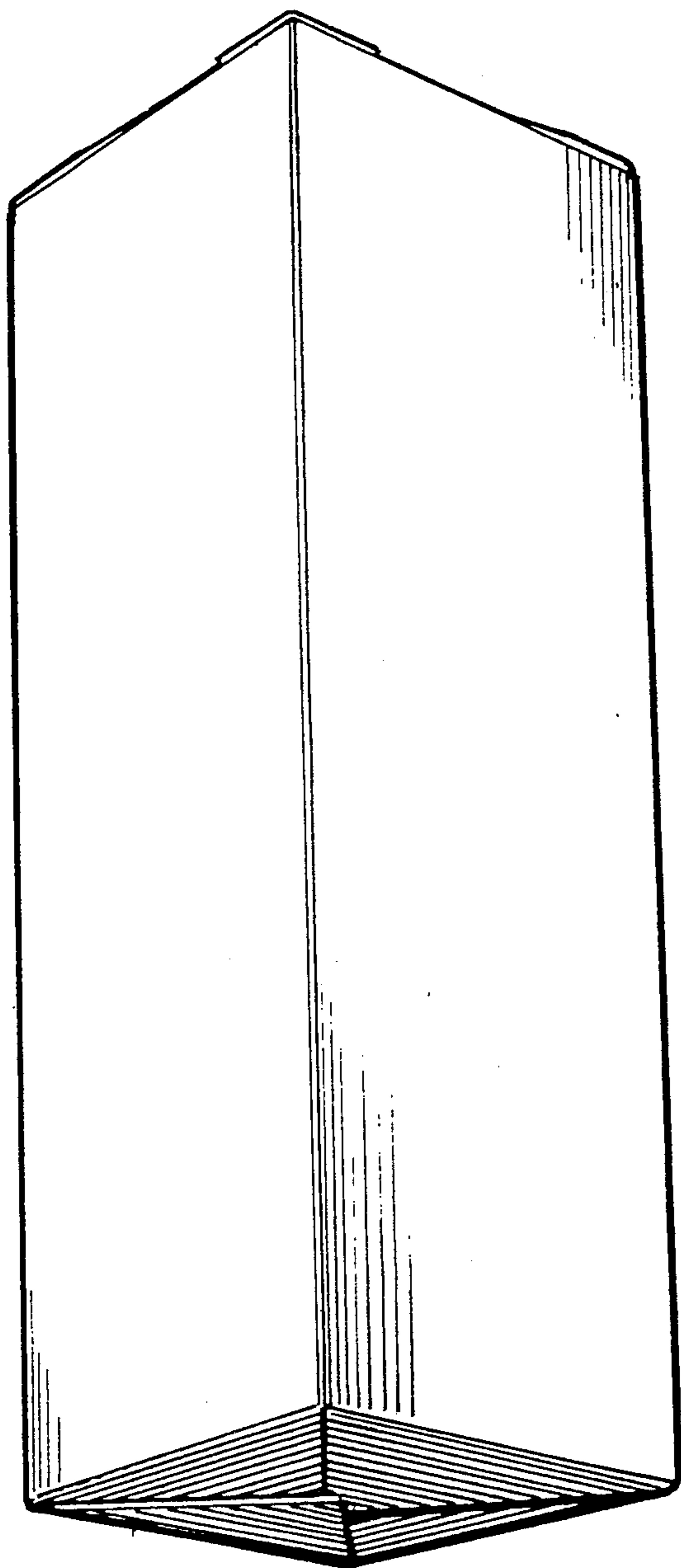


FIG. 4

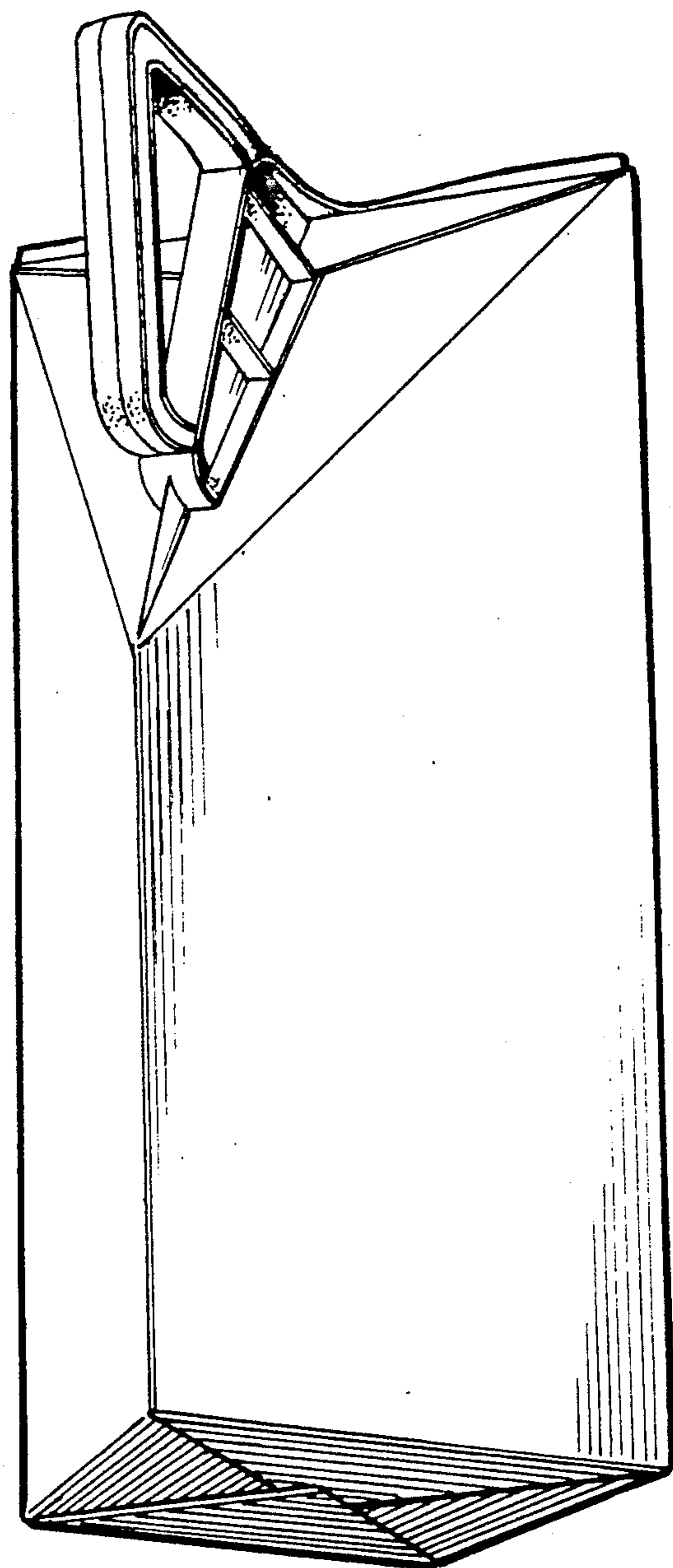


FIG. 5

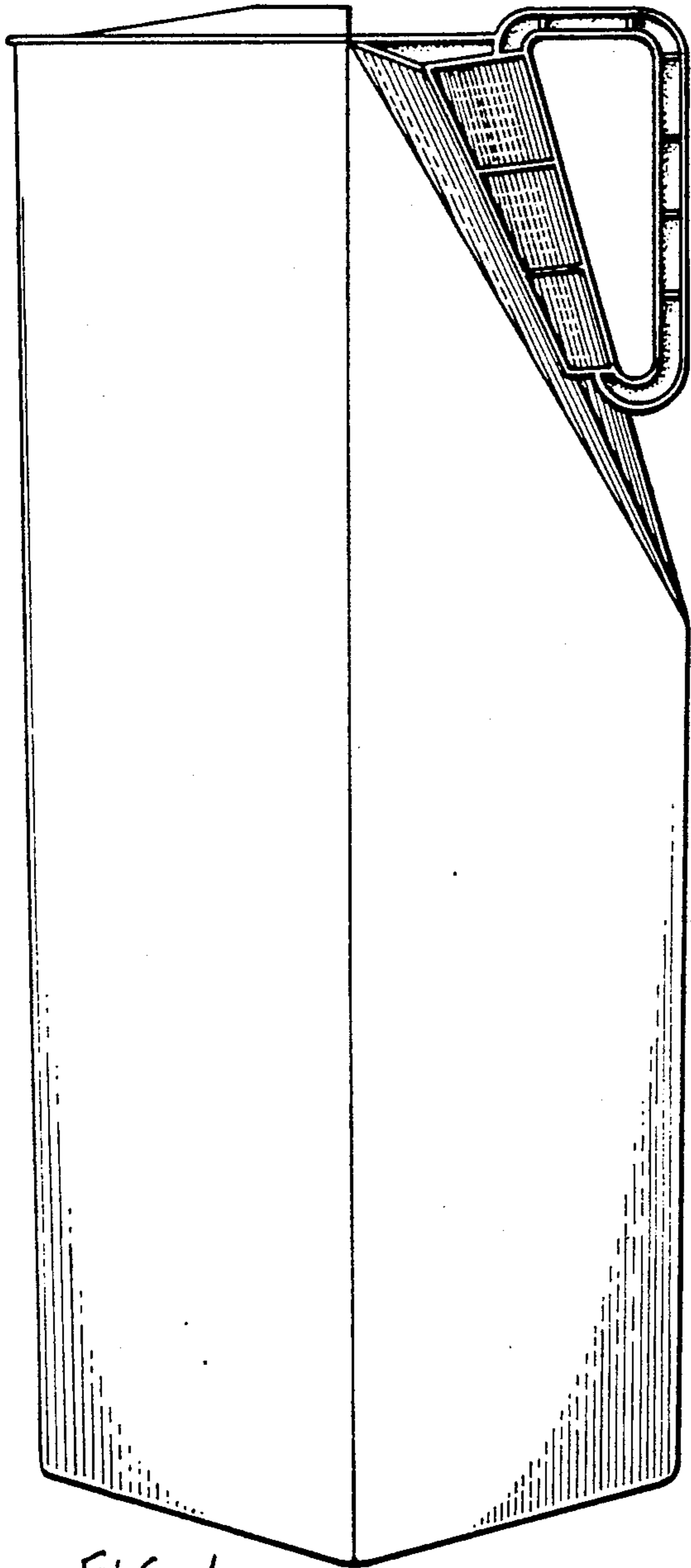


FIG. 6

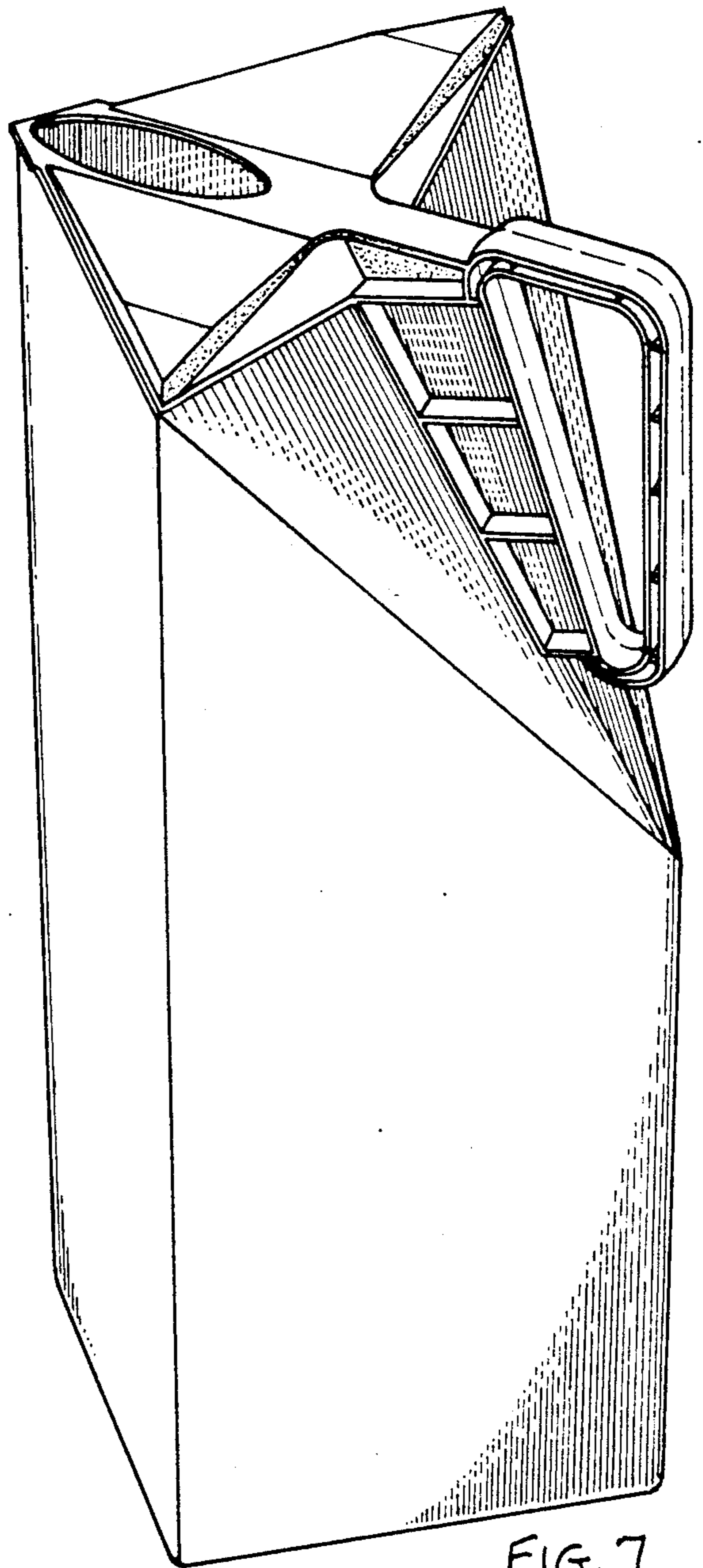


FIG. 7

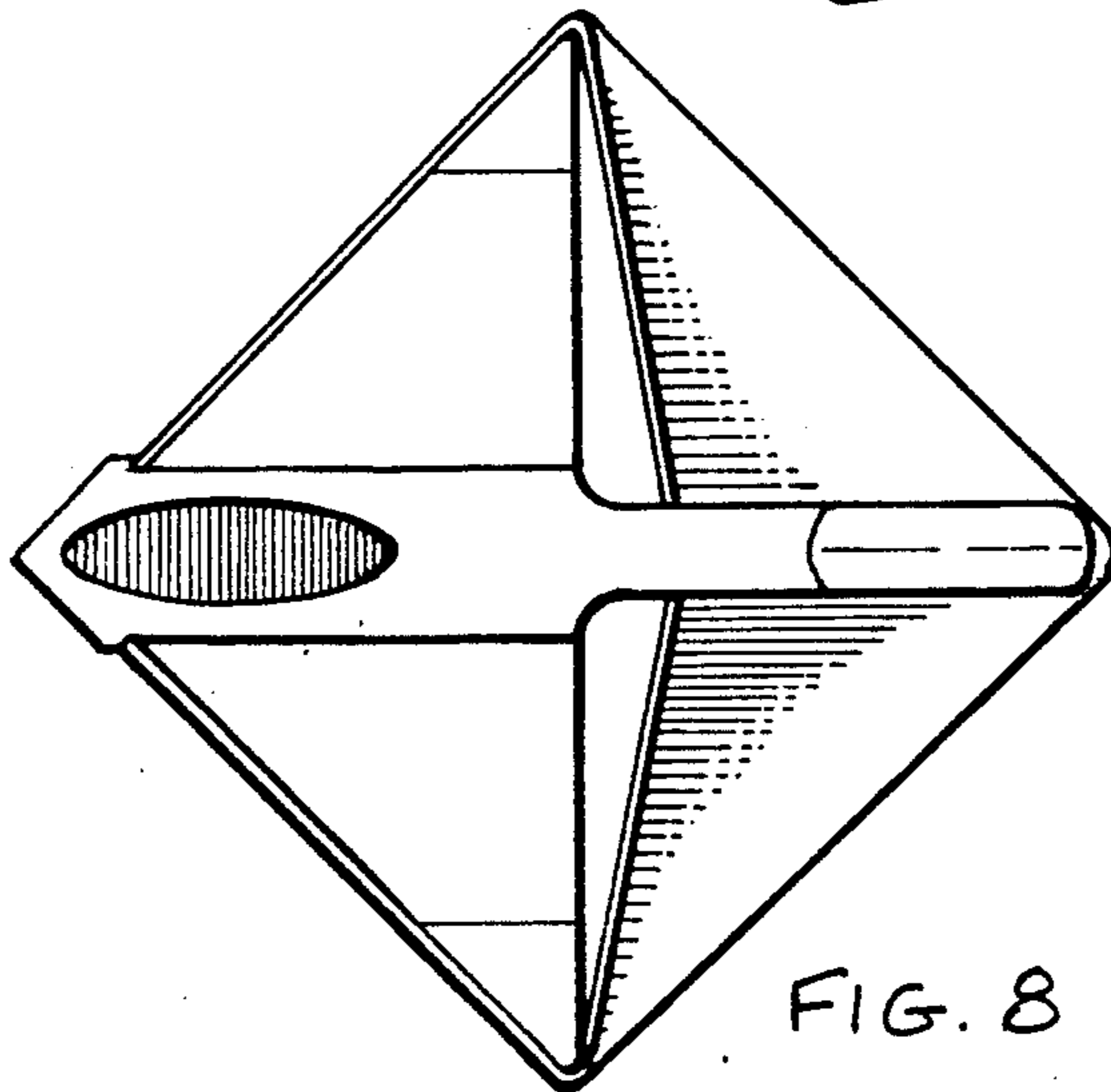


FIG. 8

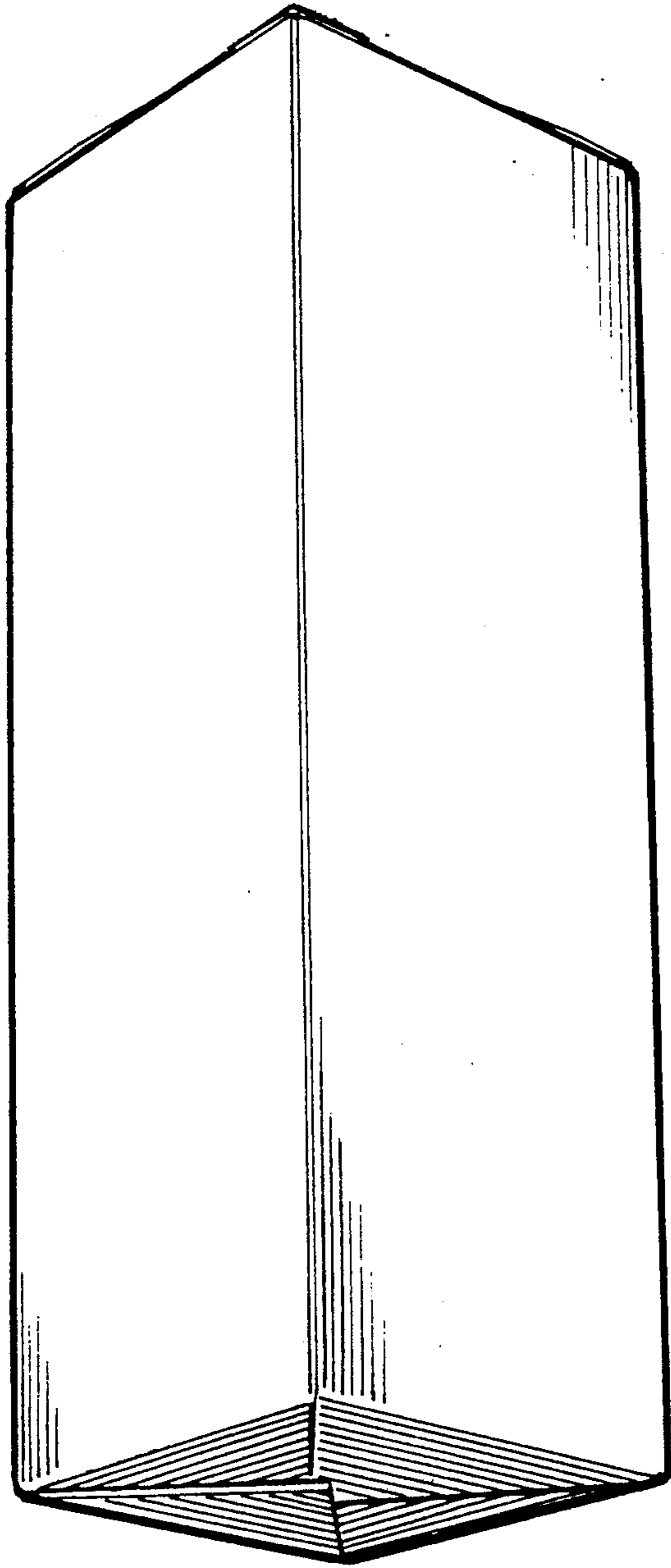


FIG. 9

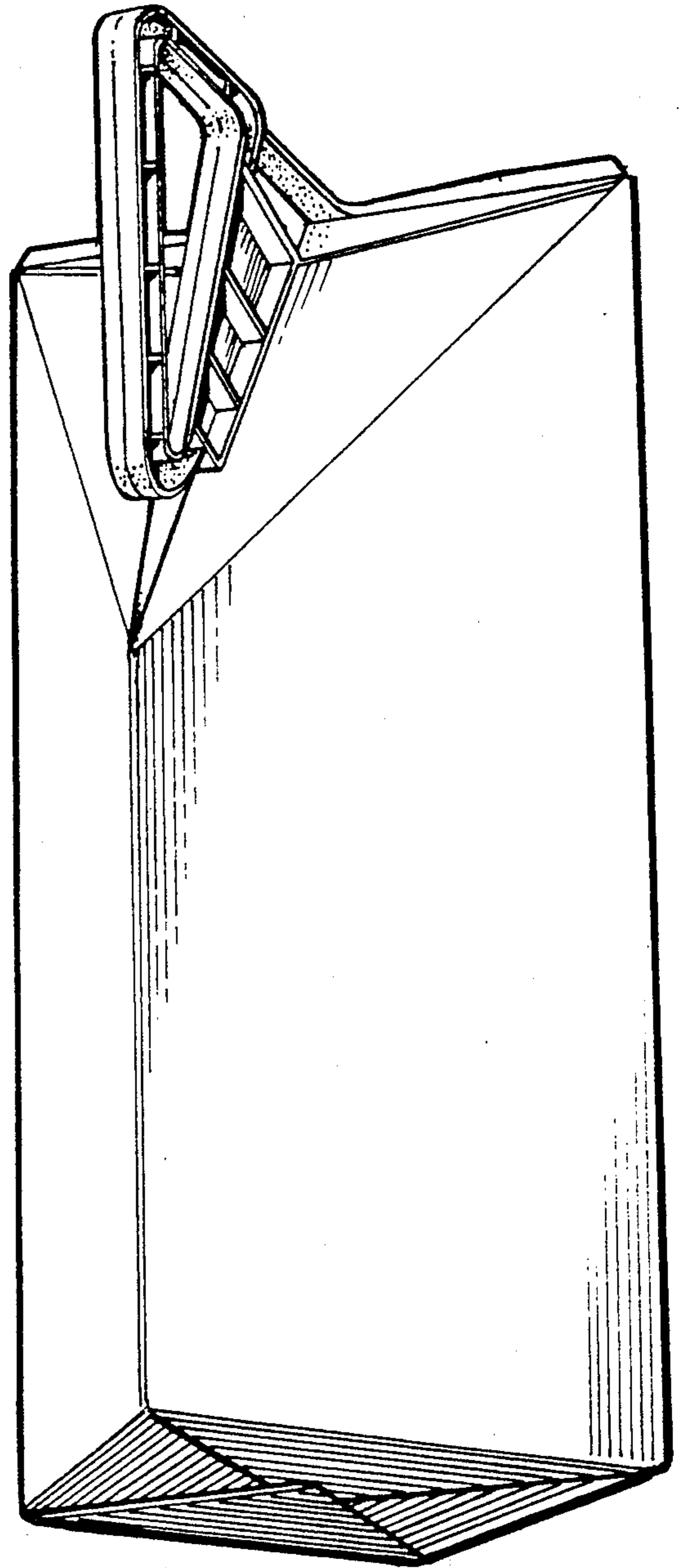


FIG. 10