

United States Patent [19]

Granger

[11] Patent Number: Des. 319,777

[45] Date of Patent: ** Sep. 10, 1991

[54] ANCHOR HOLDER

[76] Inventor: Gerald M. Granger, 3203 Hermosa Dr., Youngstown, Ohio 44511

[**] Term: 14 Years

[21] Appl. No.: 200,184

[22] Filed: May 31, 1988

[52] U.S. Cl. D8/373; D12/215

[58] Field of Search D12/215; D6/553, 512; D8/373, 354; 248/316.5, 309.1

[56] References Cited

U.S. PATENT DOCUMENTS

D. 196,291 9/1963 McCarthy D8/373

D. 242,511 11/1976 Enckler D8/373
D. 254,595 4/1980 Hart D8/354
D. 261,698 11/1981 Humble D6/553
4,285,486 8/1981 Von Osten et al. 248/316.5

Primary Examiner—Kay H. Chin

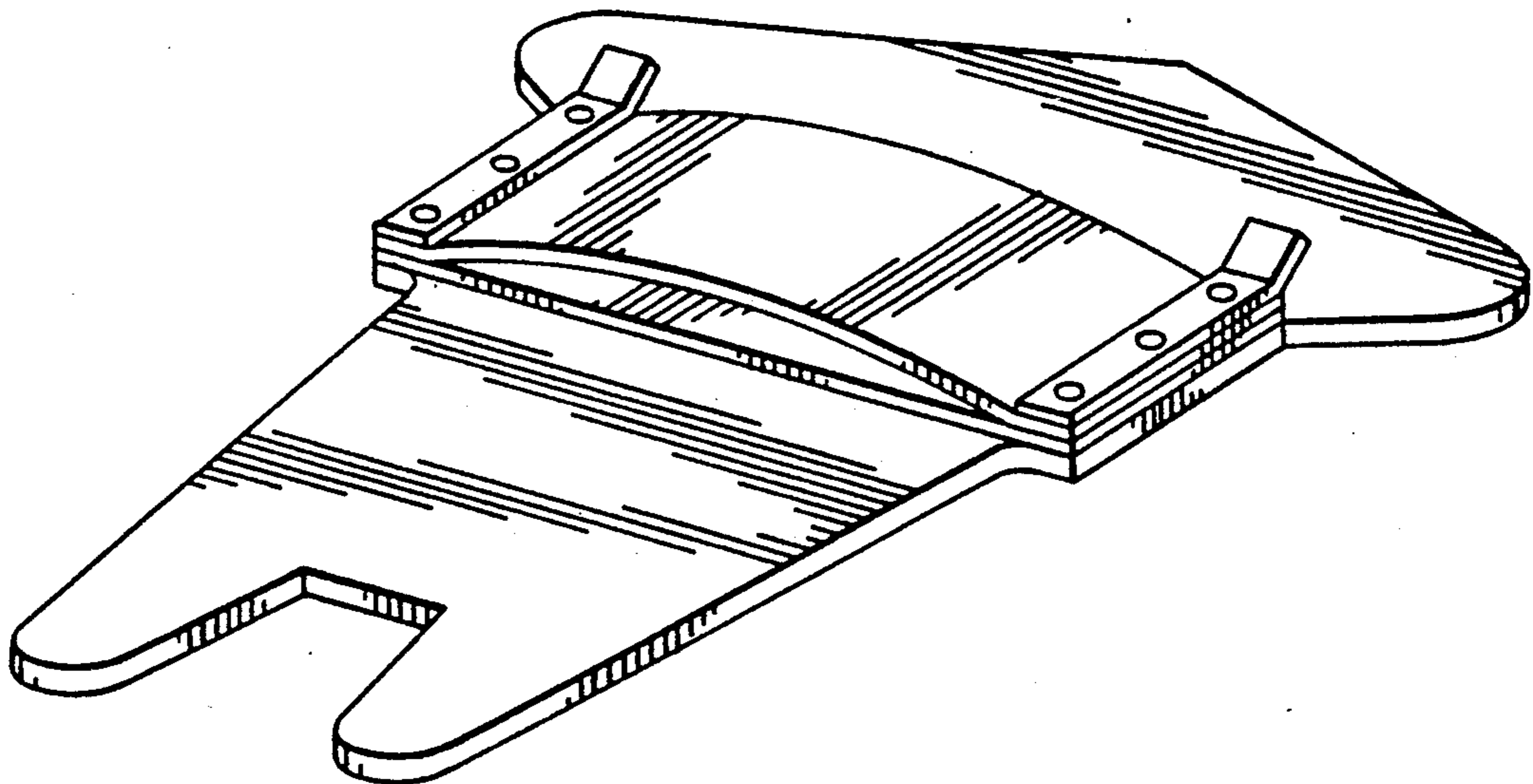
Attorney, Agent, or Firm—Harpman & Harpman

[57] CLAIM

The ornamental design for an anchor holder, as shown and described.

DESCRIPTION

FIG. 1 is a front and bottom perspective view of an anchor holder showing my new design; FIG. 2 is a top plan view thereof; and FIG. 3 is a bottom plan view thereof.



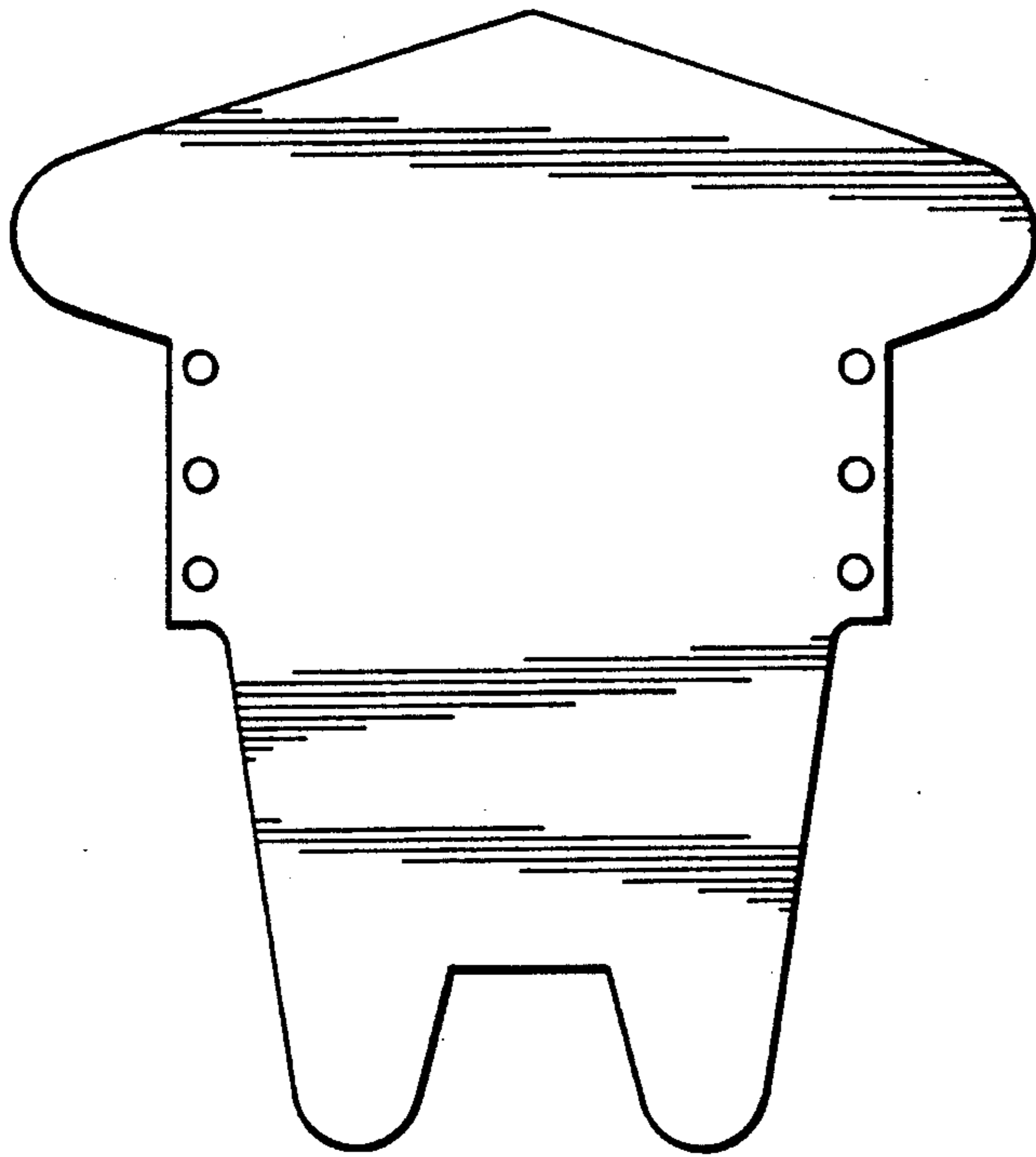


FIG. 3

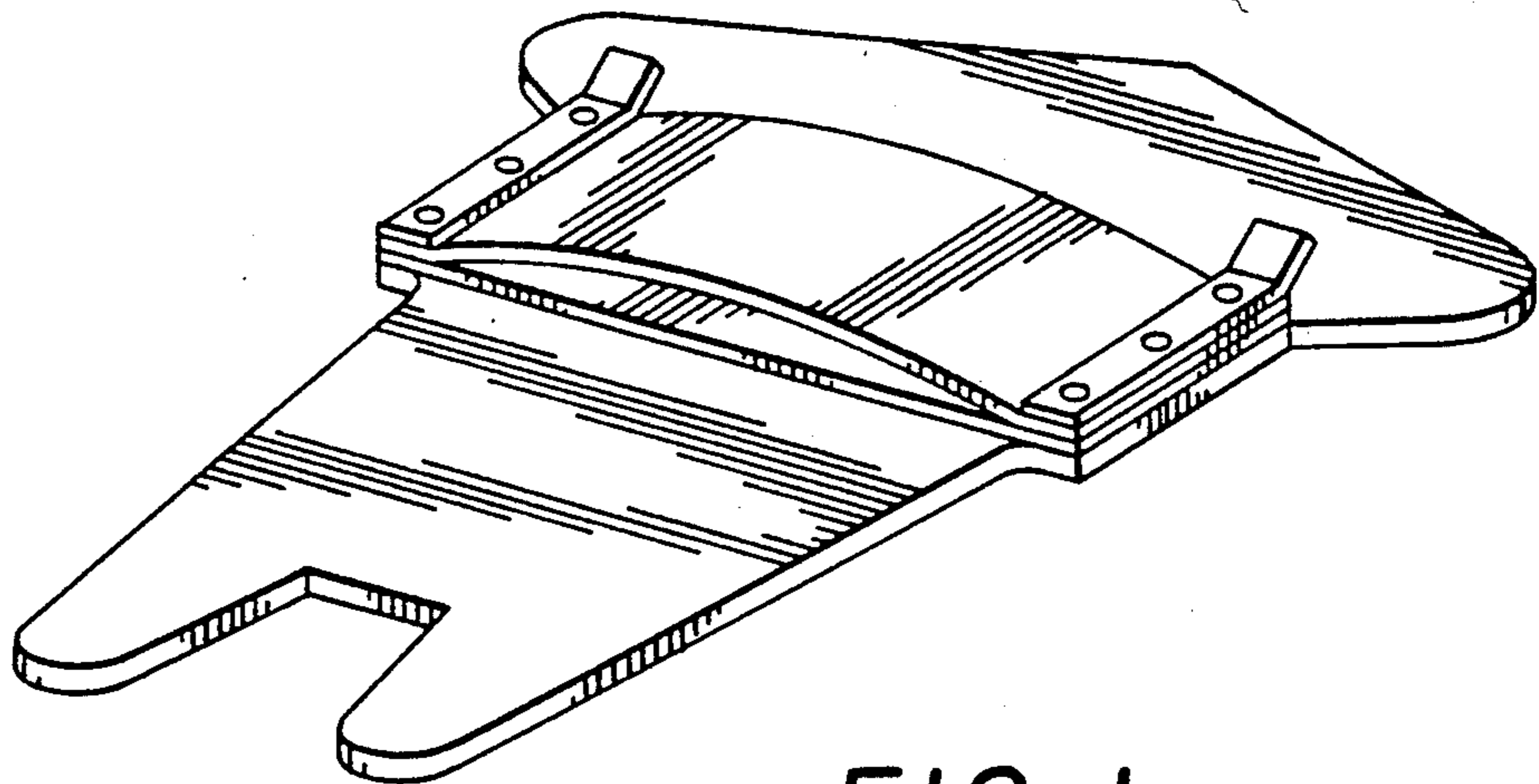


FIG. 1

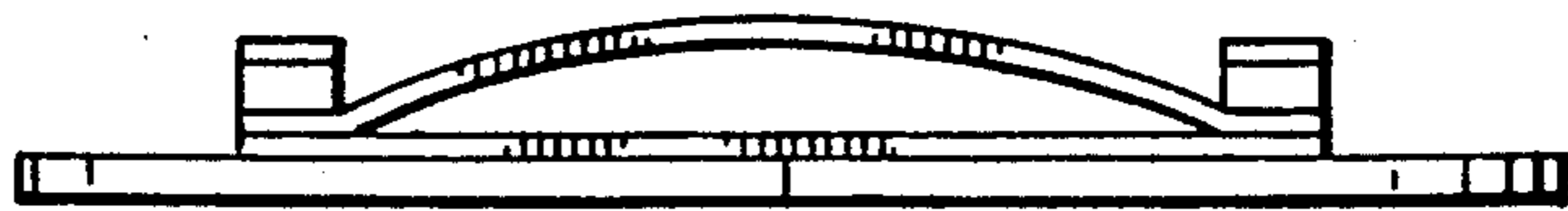


FIG. 2