

[54] DOOR LOCK

[76] Inventors: Lindy R. Barrett, 304 SW. 20th St.;
Van A. Jacobs, Rte. 2, Box 270A,
both of Bentonville, Ark. 72712

[**] Term: 14 Years

[21] Appl. No.: 419,838

[22] Filed: Oct. 11, 1989

[52] U.S. Cl. D8/340; D8/342

[58] Field of Search D8/330-331,
D8/339-342; 292/1-2, 137, 162, 288-289, 292,
300, 57; 70/405

[56] References Cited

U.S. PATENT DOCUMENTS

D. 263,278	3/1982	Toohil et al.	D8/331
1,580,611	4/1926	Kirkpatrick	70/405 X
1,763,914	6/1930	Vitals	292/57
2,080,187	5/1937	Sanda	292/57
2,804,332	8/1957	Franklin	D8/340 X
3,695,657	10/1972	Rosen	292/57
4,844,519	7/1989	Dagon	292/57

OTHER PUBLICATIONS

Home Security (©1979) p. 39-Locking Pin.

Primary Examiner—Wallace R. Burke

Assistant Examiner—Brian N. Vinson

Attorney, Agent, or Firm—N. J. Aquilino

[57] CLAIM

The ornamental design for a door lock, as shown and described.

DESCRIPTION

FIG. 1 is a front elevational view of a door fastener showing our new design;

FIG. 2 is a top plan view thereof;

FIG. 3 is a rear elevational view thereof;

FIG. 4 is a right side elevational view thereof;

FIG. 5 is a left side elevational view thereof;

FIG. 6 is a front elevational view thereof, with the pin shown in an alternative position.

The broken-line depiction of portions of a door and frame are for illustrative purposes only and form no part of the claimed design.

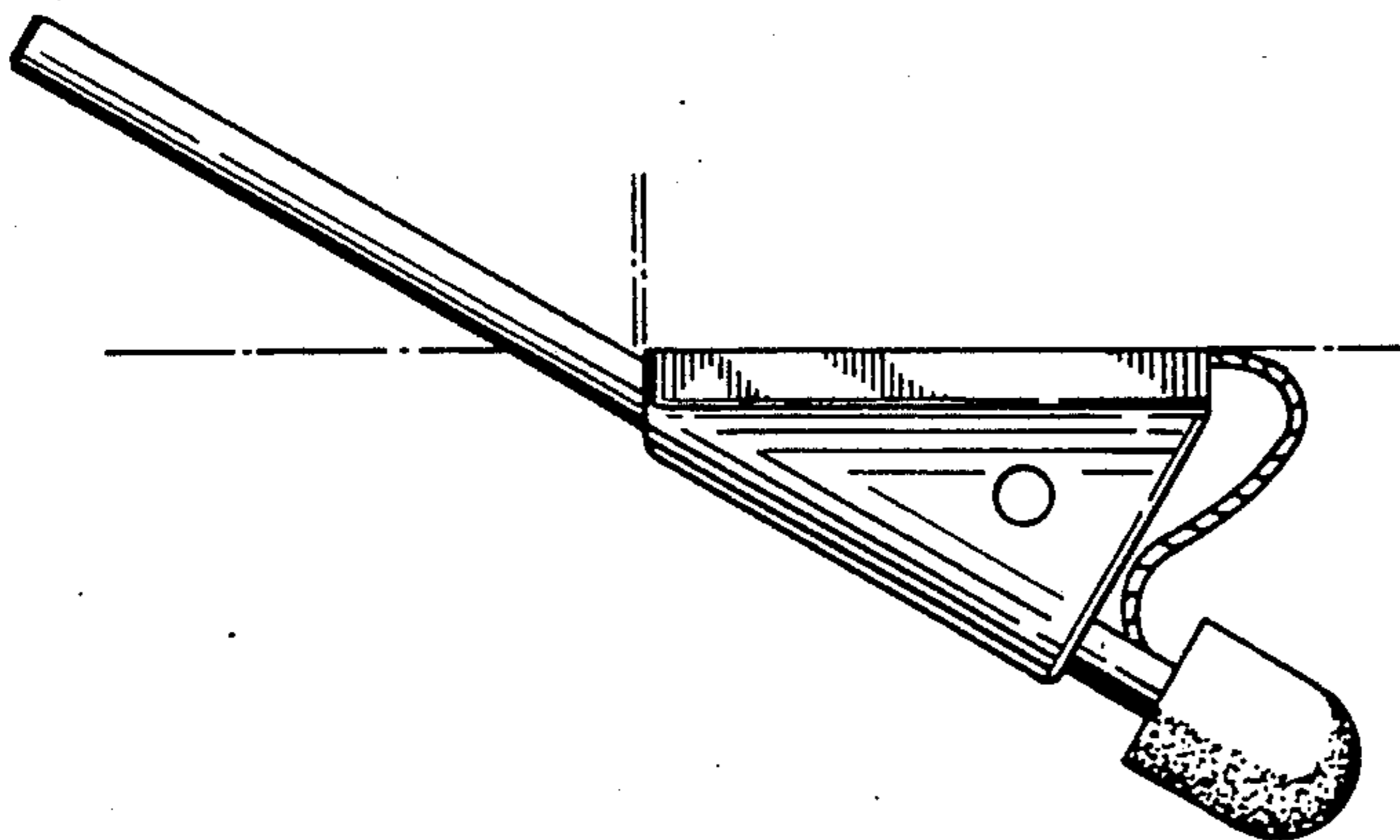
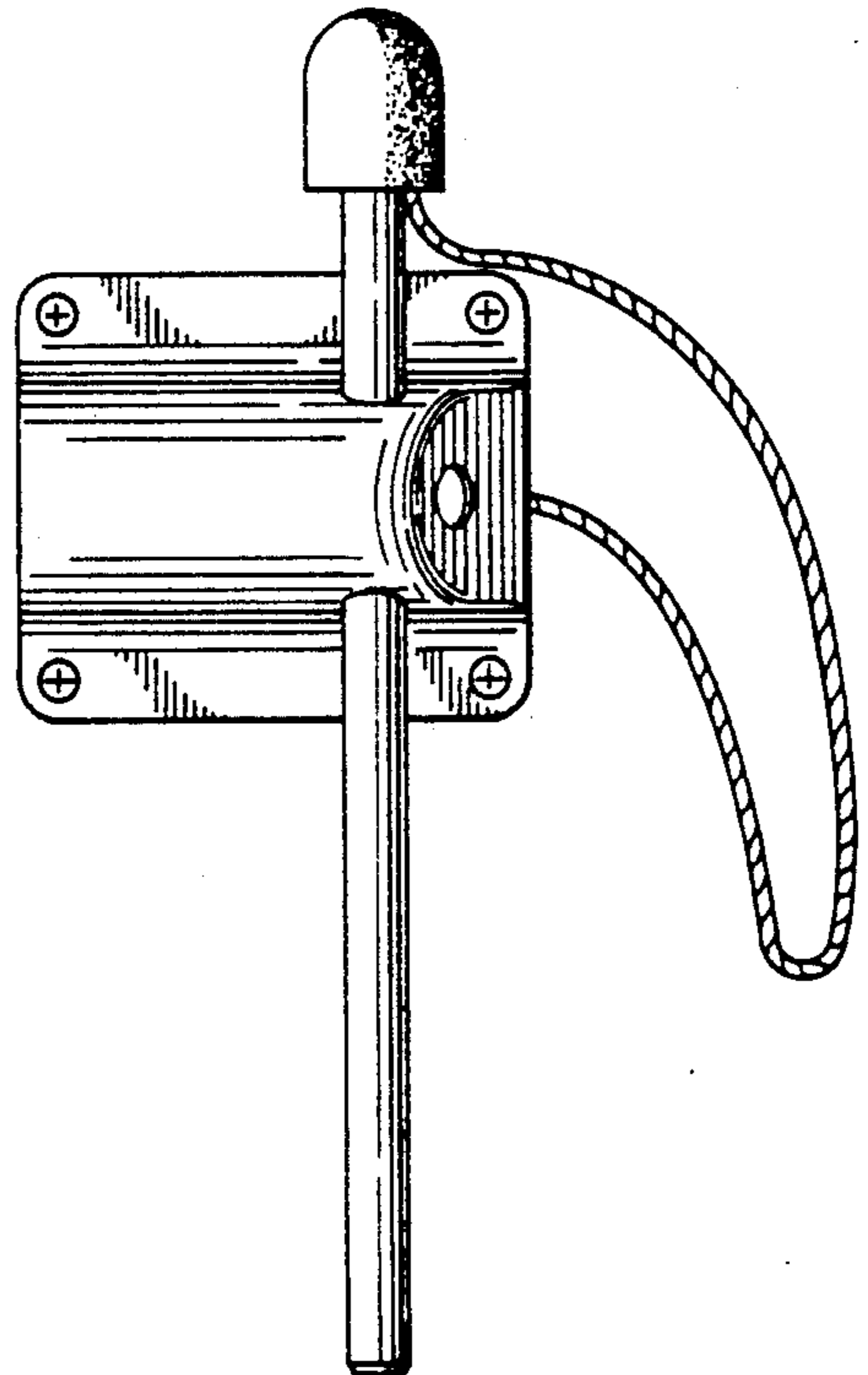
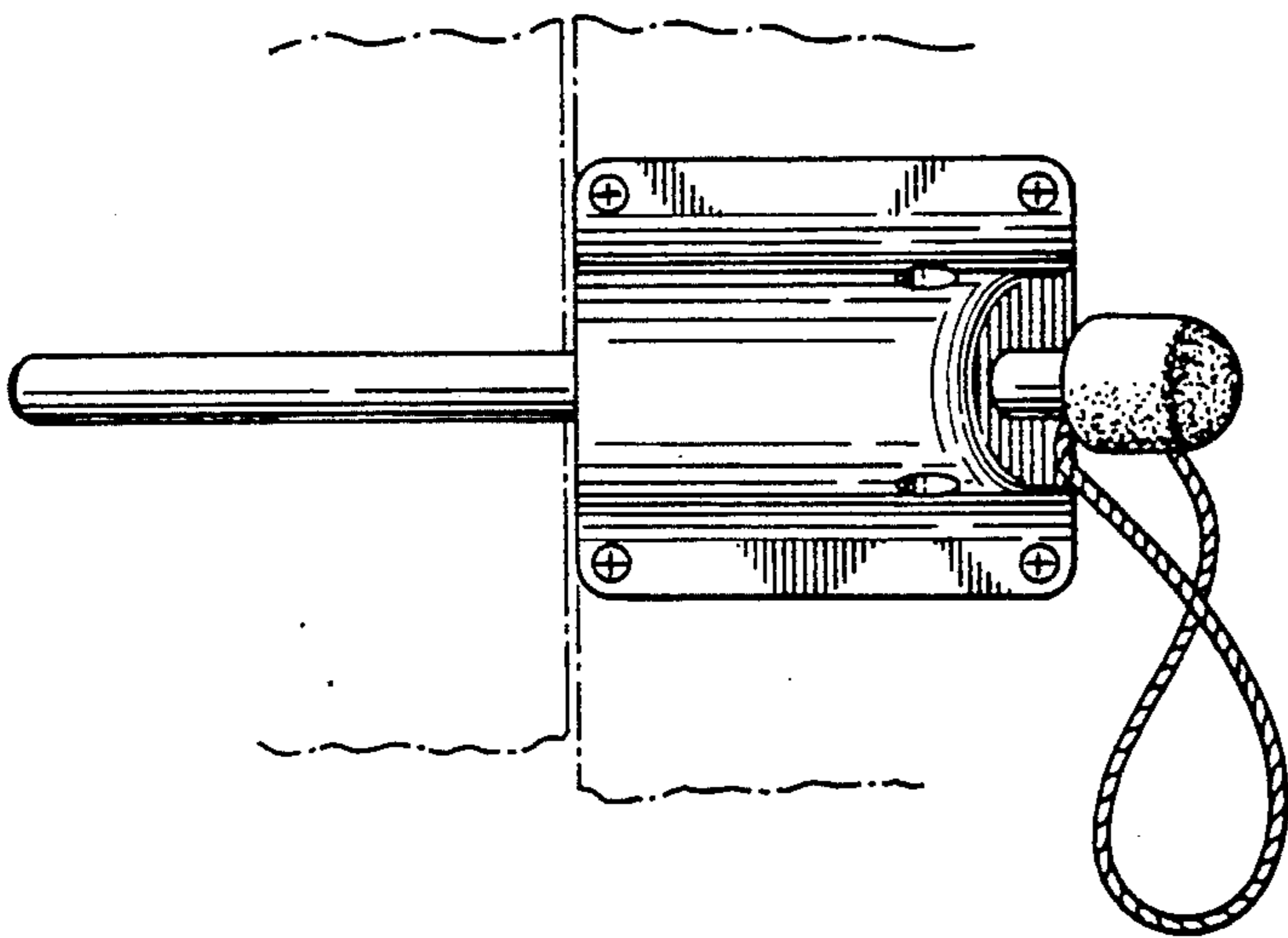


FIG. 1

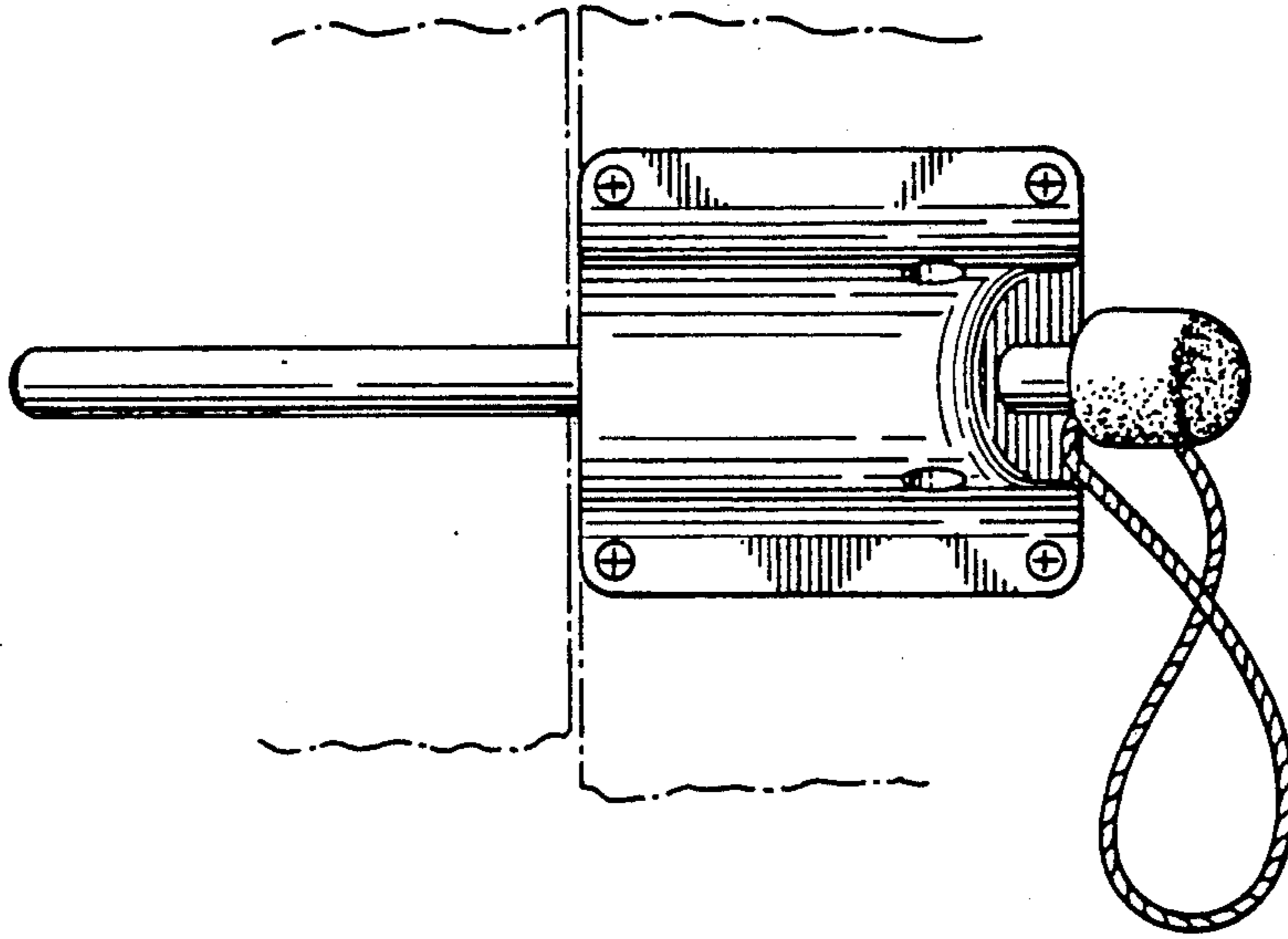


FIG. 2

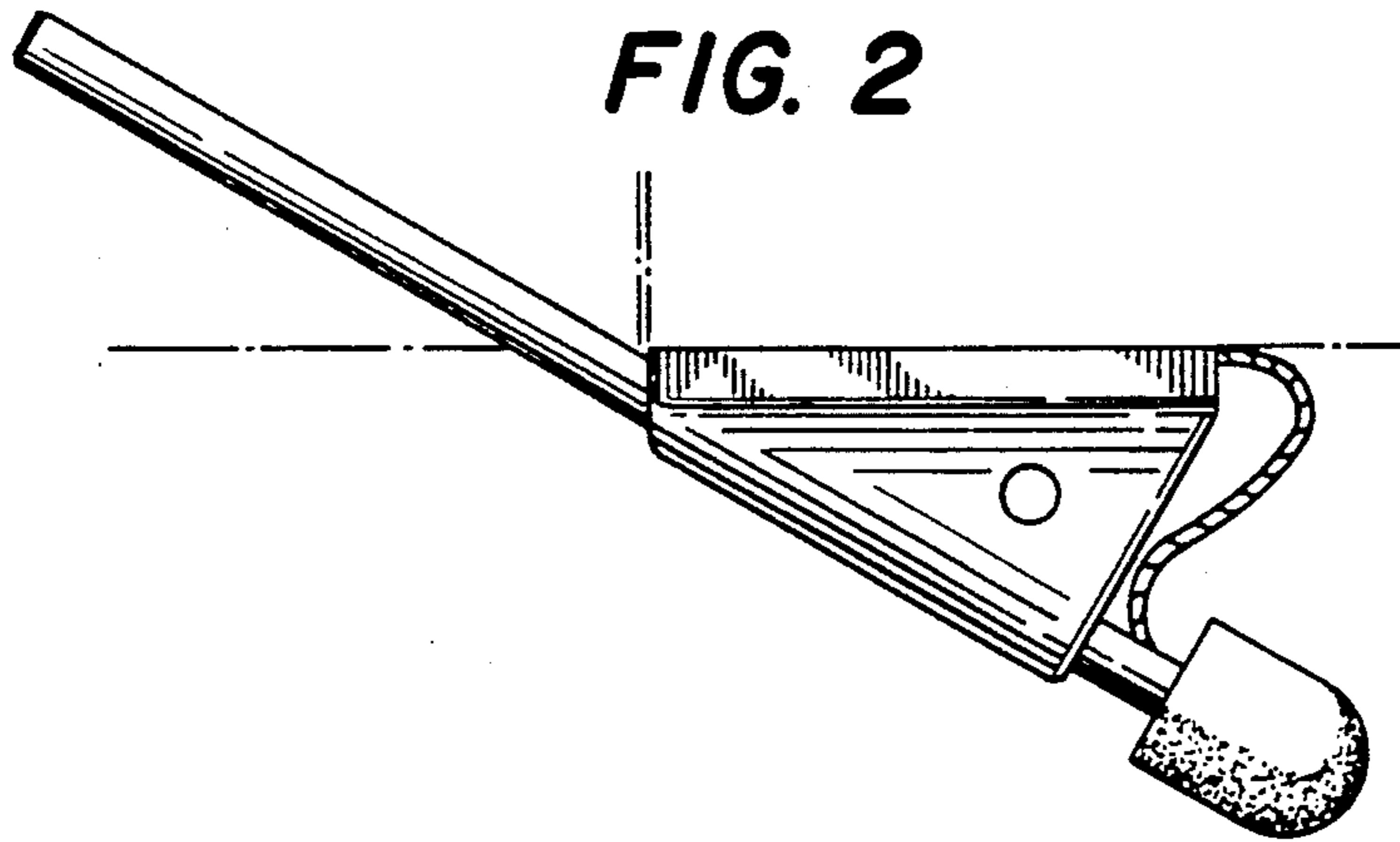


FIG. 3

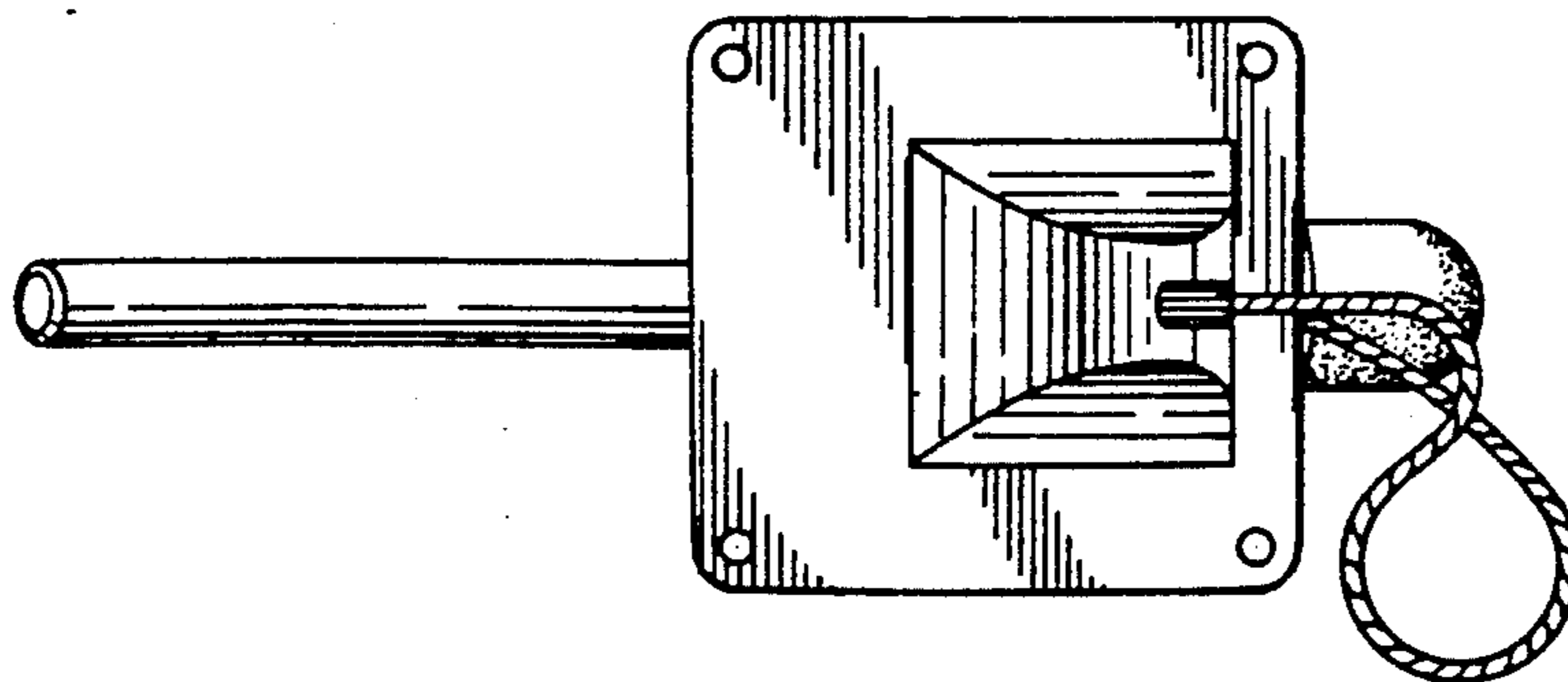


FIG. 4

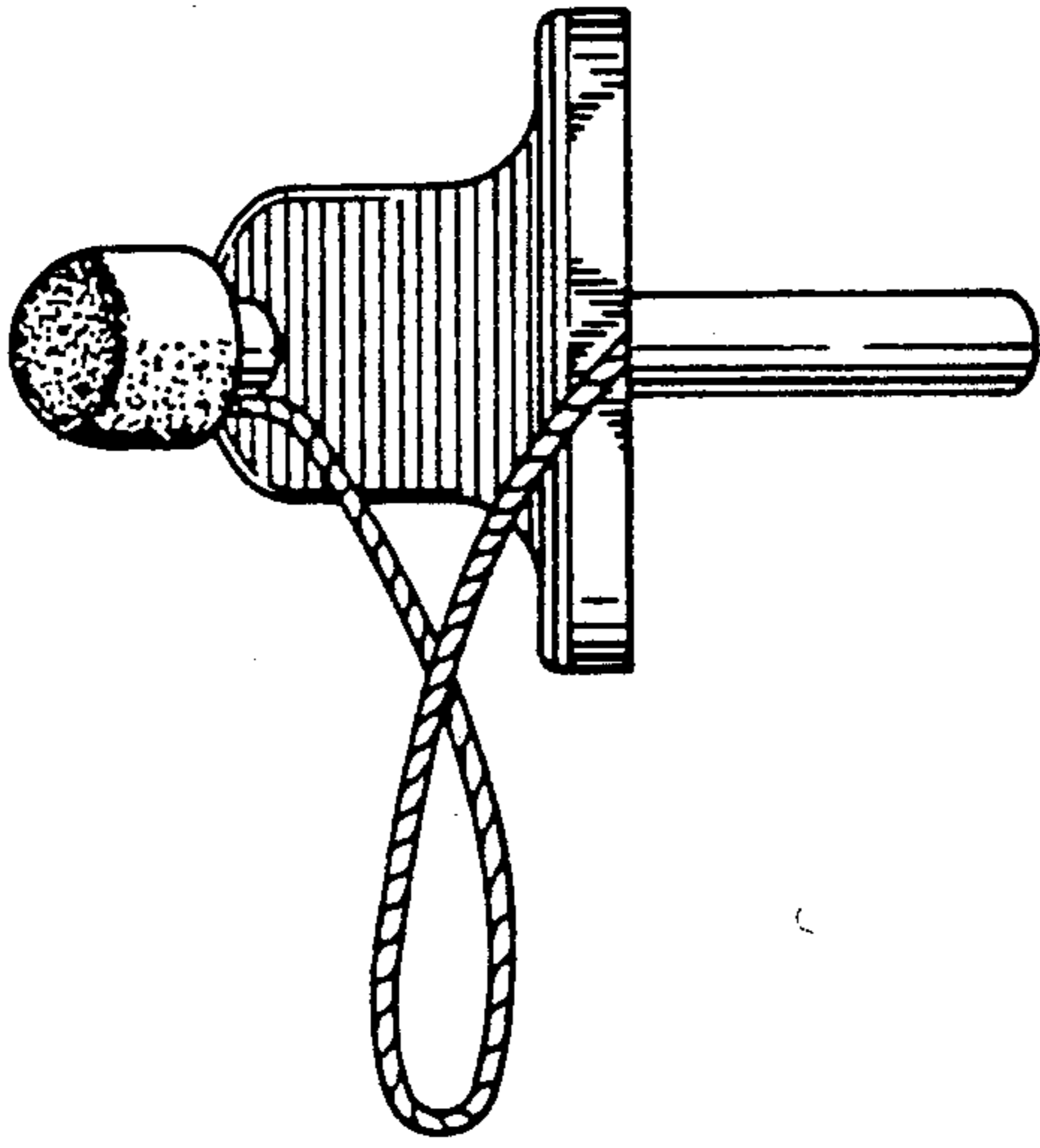


FIG. 5

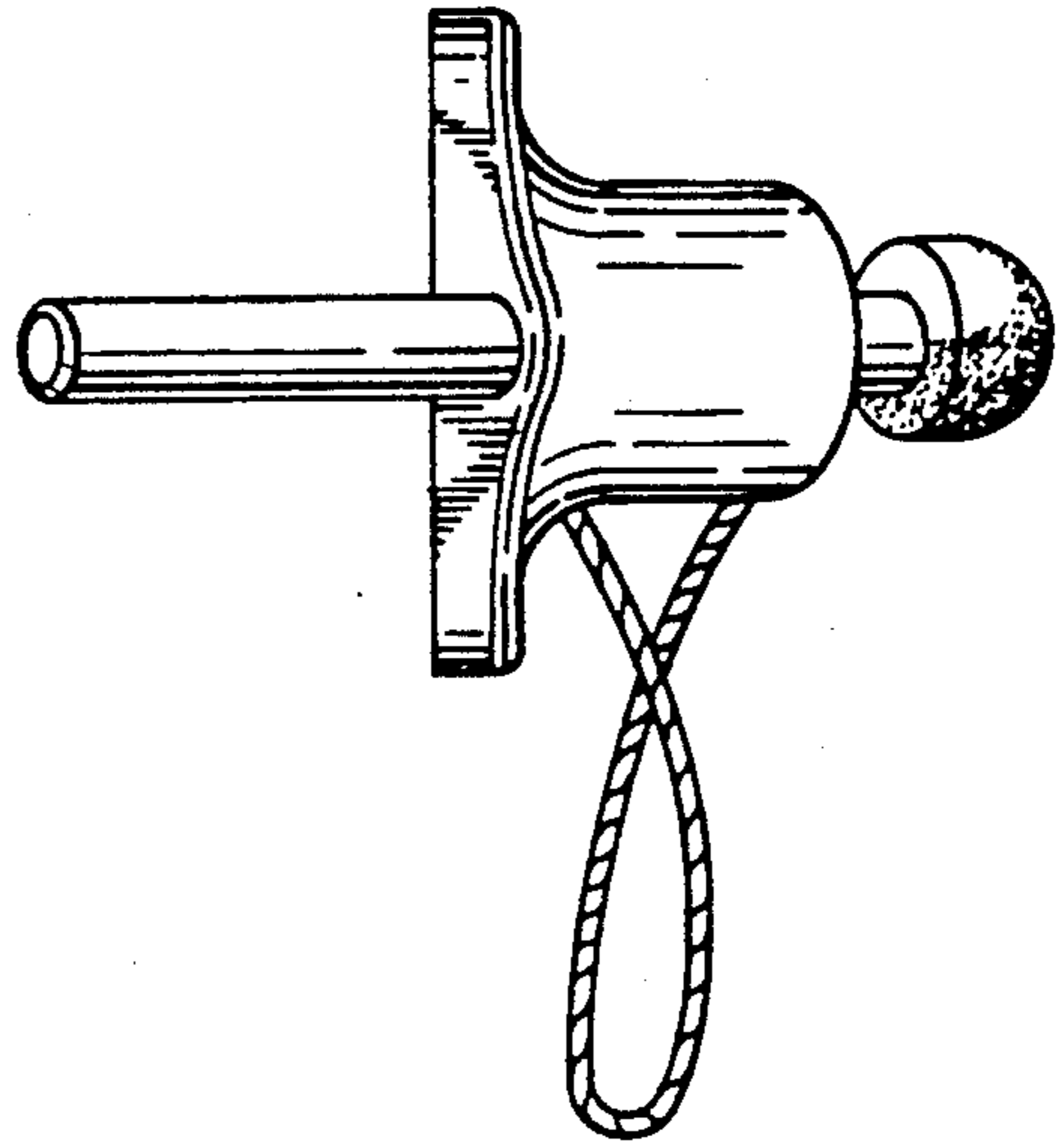


FIG. 6

