

[54] **DOOR GUARD**

[75] **Inventor: Walter J. MacFarlane, Kensington, Conn.**

[73] **Assignee: The Stanley Works, New Britain, Conn.**

[*] **Notice: The portion of the term of this patent subsequent to Sep. 10, 2005 has been disclaimed.**

[**] **Term: 14 Years**

[21] **Appl. No.: 381,013**

[22] **Filed: Jul. 17, 1989**

[52] **U.S. Cl. D8/331**

[58] **Field of Search D8/330-331, D8/336, 338, 344-345; 292/262, 268, 269, 270**

[56] **References Cited**

U.S. PATENT DOCUMENTS

4,408,789 10/1983 Miller 292/268
4,900,075 2/1990 Smith 292/268 X

FOREIGN PATENT DOCUMENTS

2091340 7/1982 United Kingdom 292/270

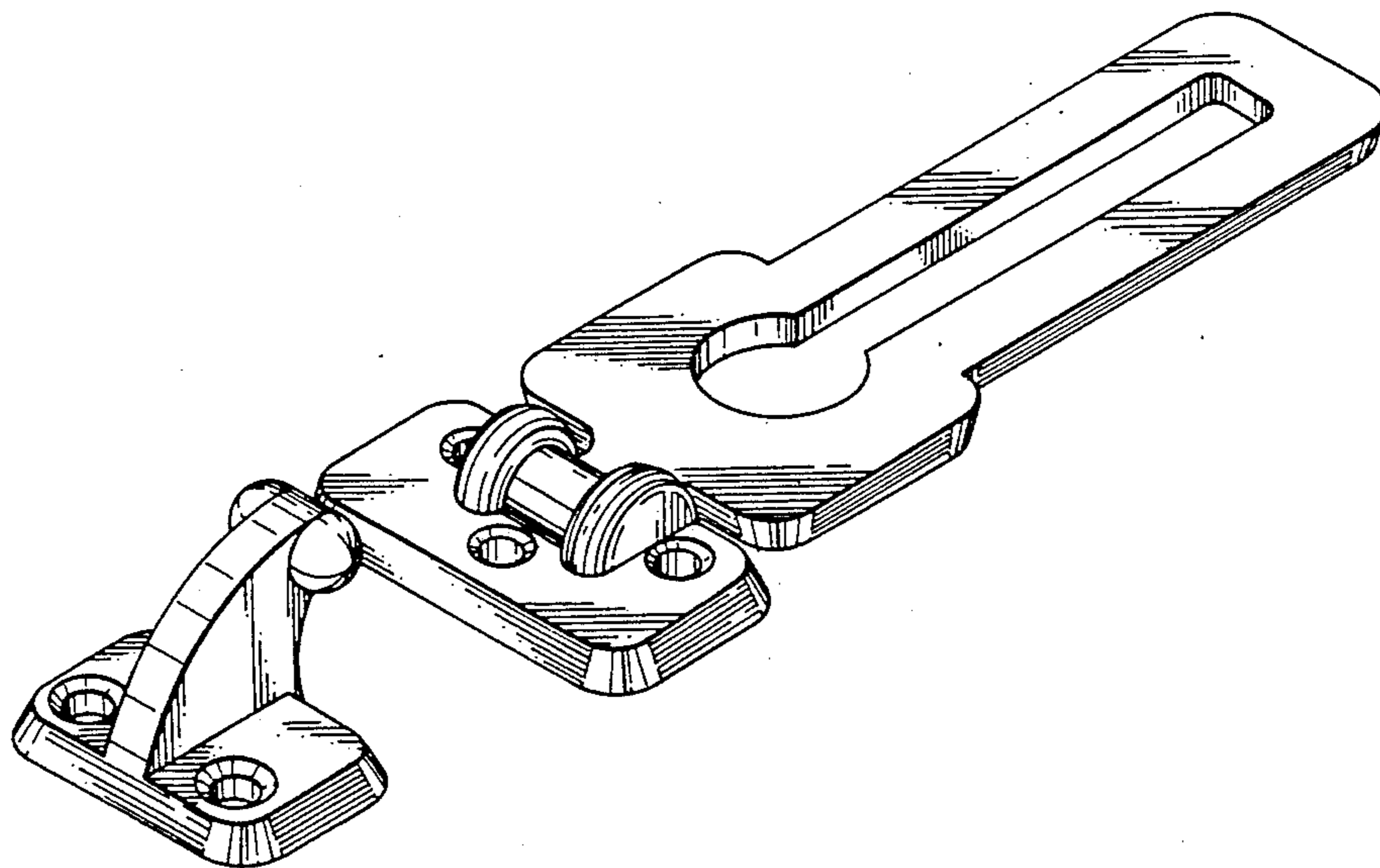
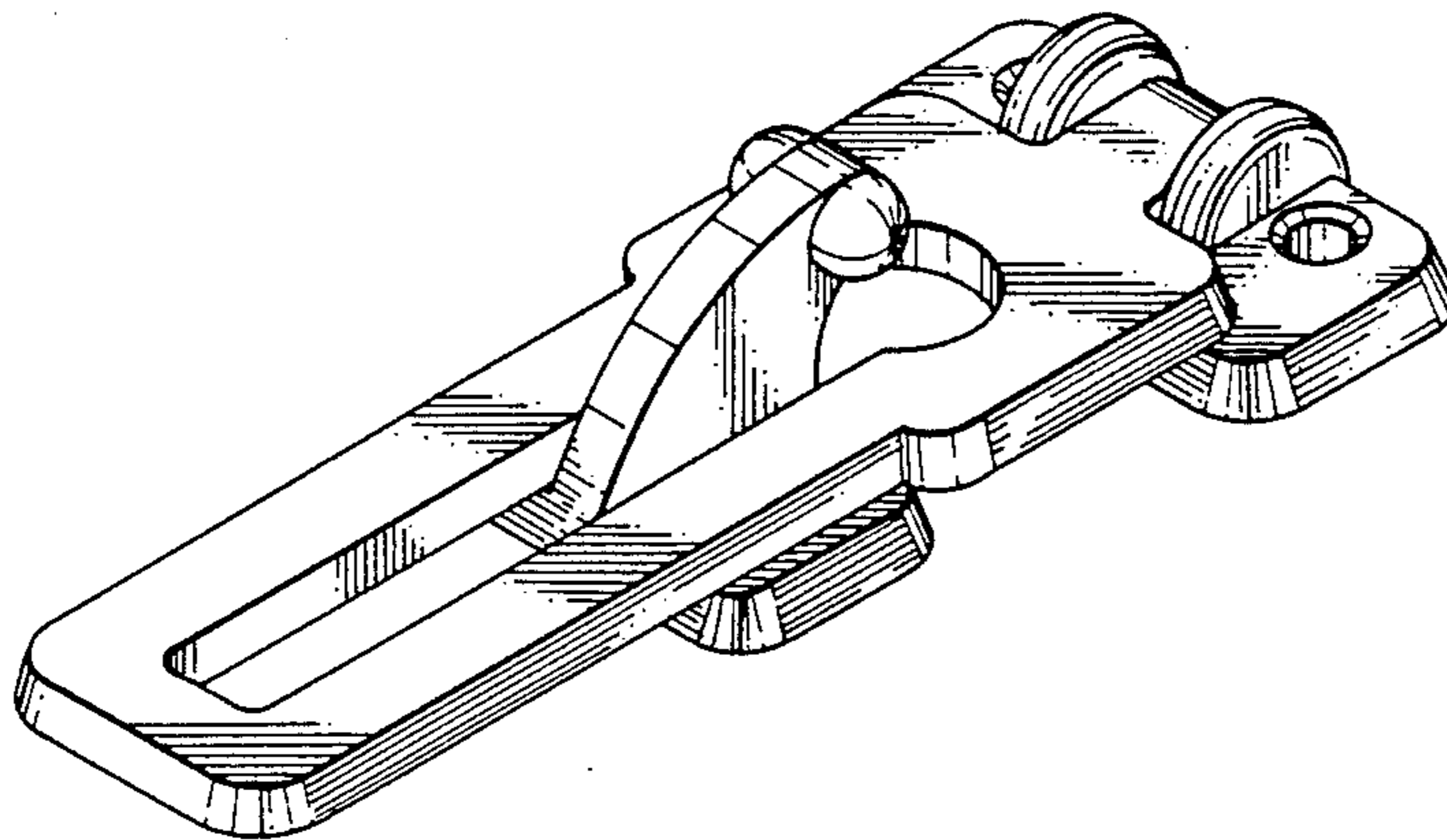
Primary Examiner—Brian N. Vinson

[57] **CLAIM**

The ornamental design for a door guard, as shown and described.

DESCRIPTION

FIG. 1 is a bottom, front, and left side perspective view of a door guard showing my new design;
FIG. 2 is a bottom, front, and left side perspective view thereof with the arm portion rotated to a disengaged position;
FIG. 3 is a front elevational view thereof;
FIG. 4 is a bottom plan view thereof, the top being a mirror image of that shown;
FIG. 5 is a left side elevational view; and
FIG. 6 is a right side elevational view thereof.



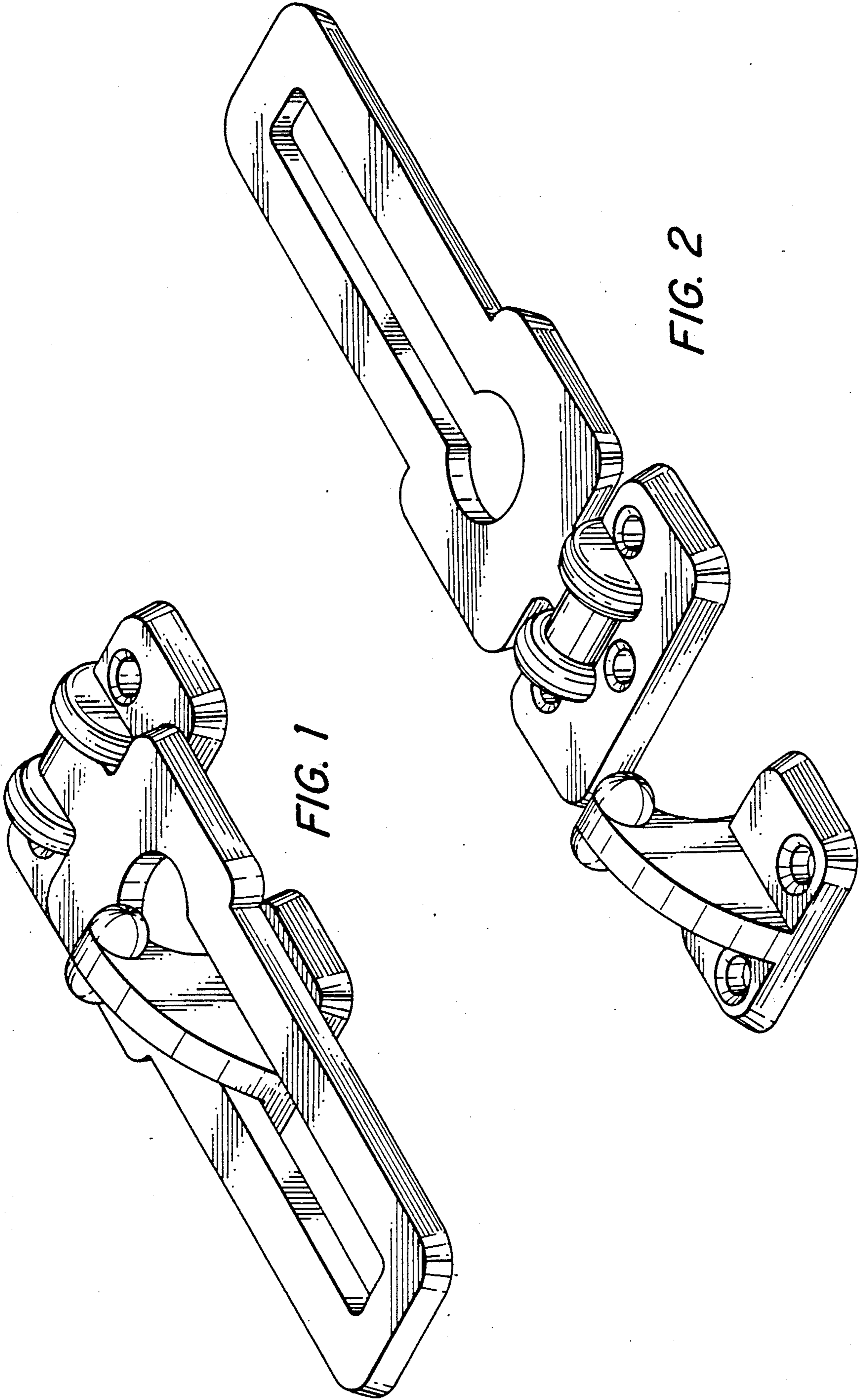


FIG. 1

FIG. 2

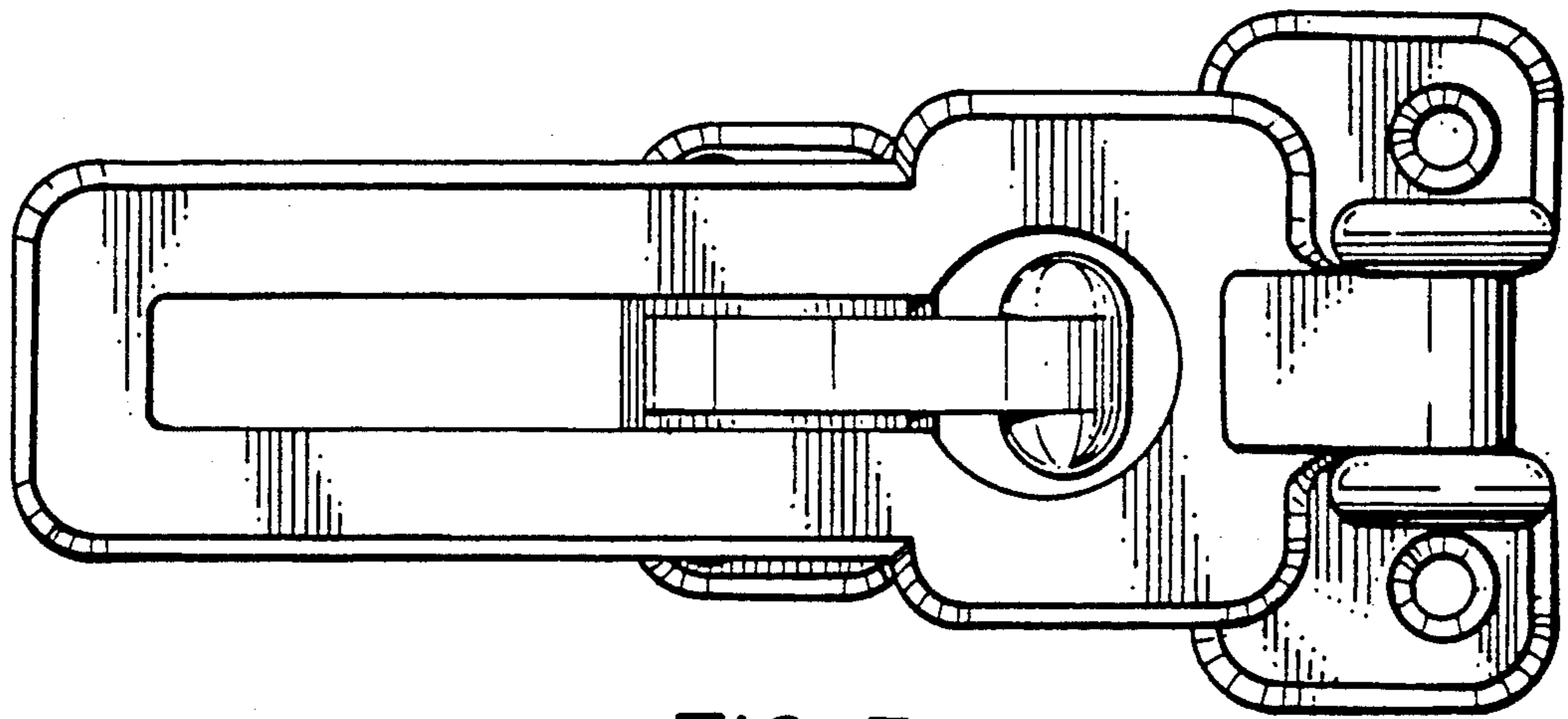


FIG. 3

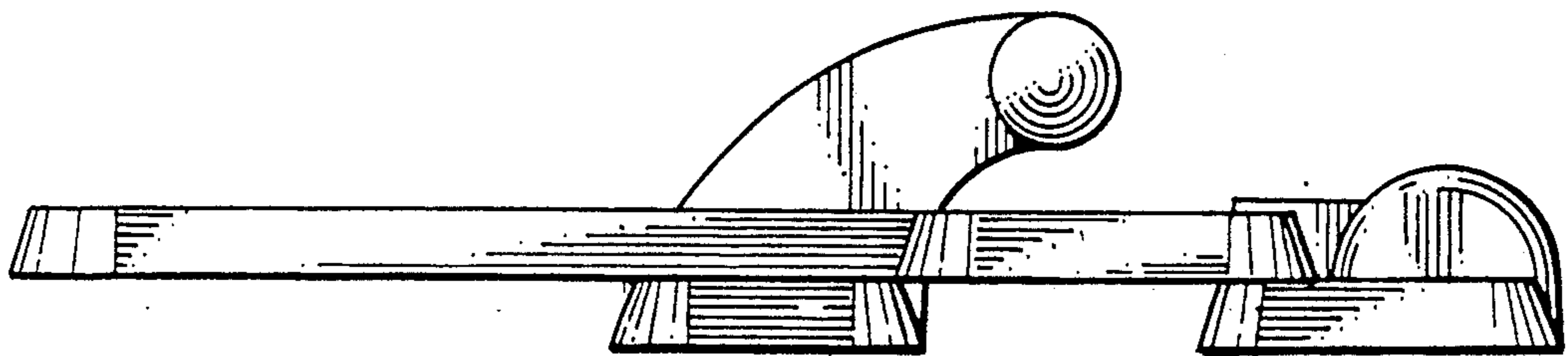


FIG. 4

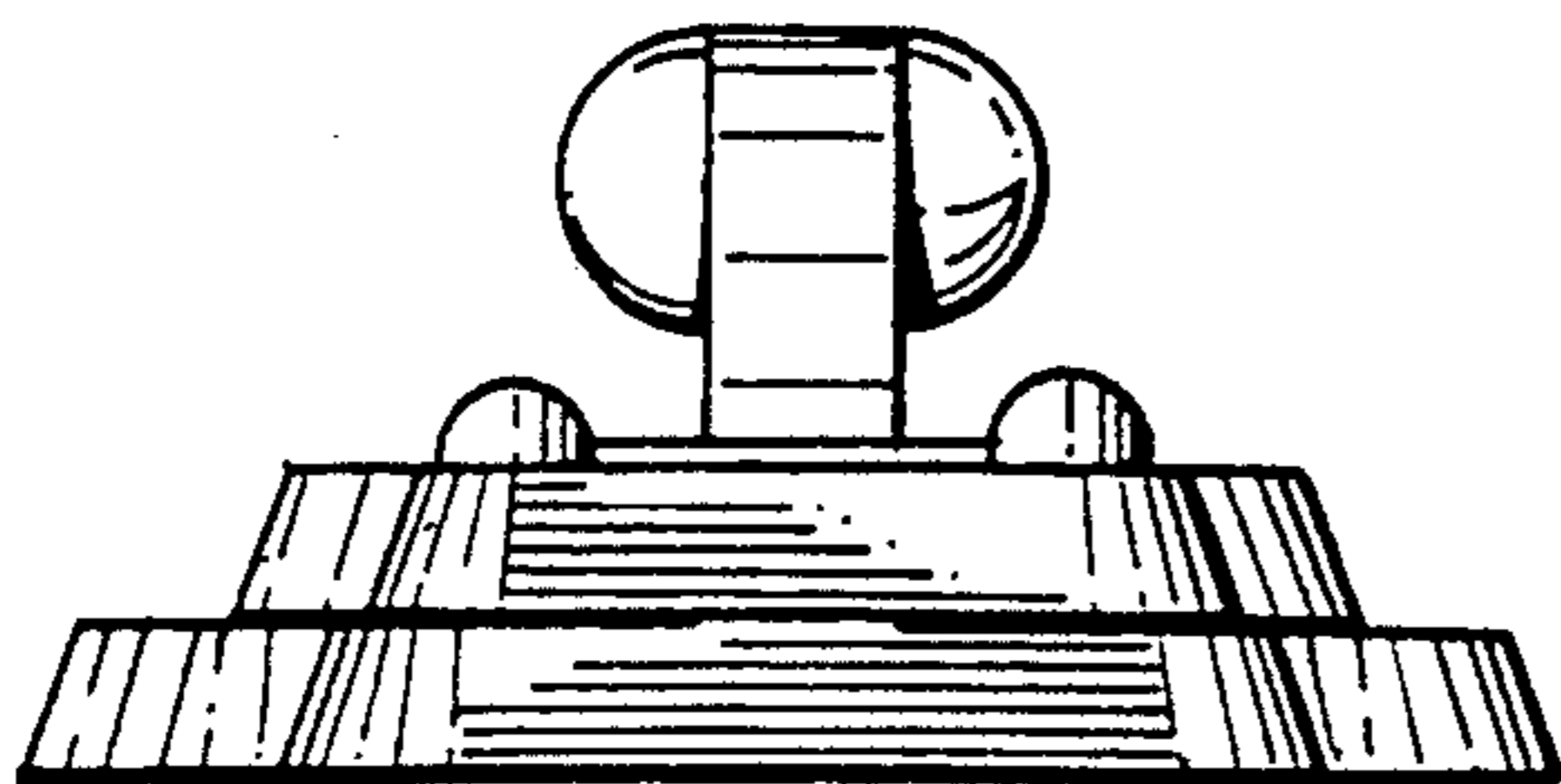


FIG. 5

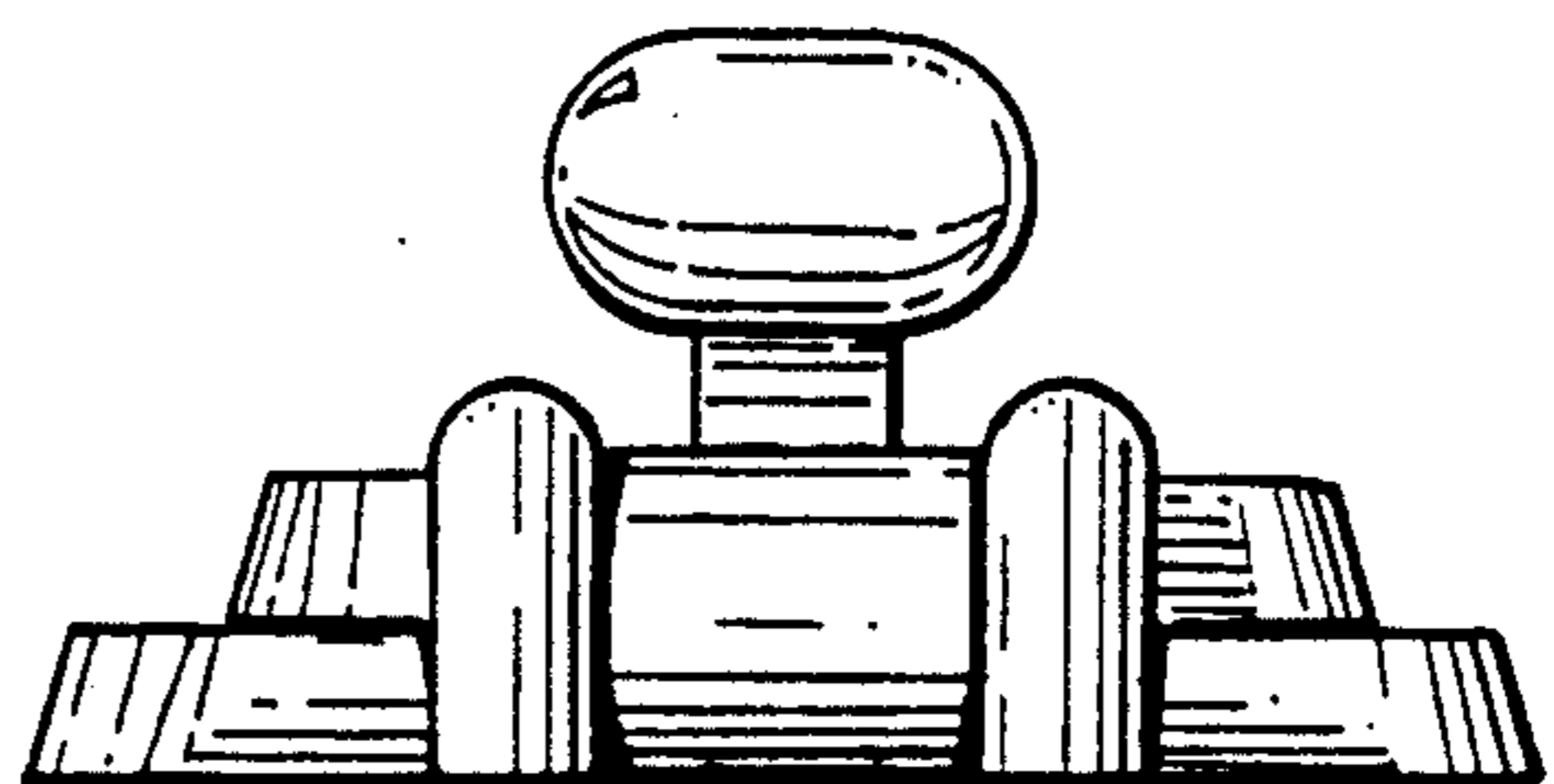


FIG. 6