

[54] DOOR GUARD

[75] Inventor: Walter J. MacFarlane, Kensington, Conn.

[73] Assignee: The Stanley Works, New Britain, Conn.

[\*] Notice: The portion of the term of this patent subsequent to Sep. 10, 2005 has been disclaimed.

[\*\*] Term: 14 Years

[21] Appl. No.: 345,714

[22] Filed: Apr. 28, 1989

[52] U.S. Cl. .... D8/331

[58] Field of Search ..... D8/330-331, D8/336, 338, 344-345; 292/262, 268-269, 270

[56] References Cited

U.S. PATENT DOCUMENTS

- 144,222 11/1873 Perkins .
- 179,308 6/1876 Hill .
- 372,326 11/1887 Palmenberg .
- 465,185 12/1891 Mason .
- 768,528 8/1904 Kalb et al. .
- 773,579 11/1904 De Mayo .
- 937,094 10/1909 Rosenberg .

- 1,154,862 9/1915 Hoagland .
- 1,286,774 12/1918 Rehe .
- 1,497,500 11/1922 Gorowitz .
- 2,102,729 8/1936 McDonald .
- 4,062,578 12/1977 Chen .
- 4,229,030 10/1980 Tarragona Corbella .
- 4,408,789 10/1983 Miller ..... 292/268
- 4,684,159 8/1987 Hutter .
- 4,900,075 2/1990 Smith ..... 292/268 X

FOREIGN PATENT DOCUMENTS

- 2091340 7/1982 United Kingdom ..... 292/270

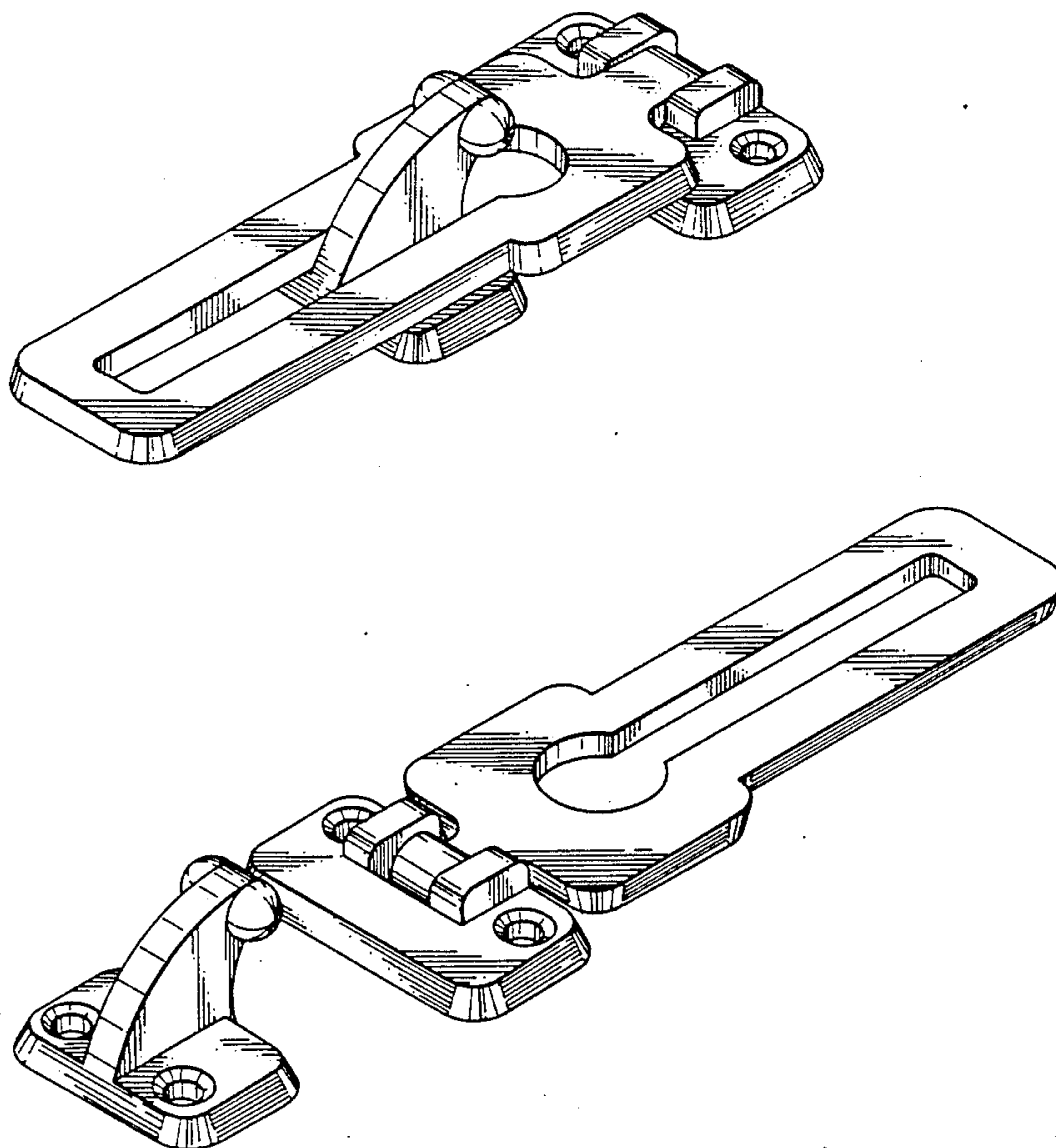
Primary Examiner—Brian N. Vinson

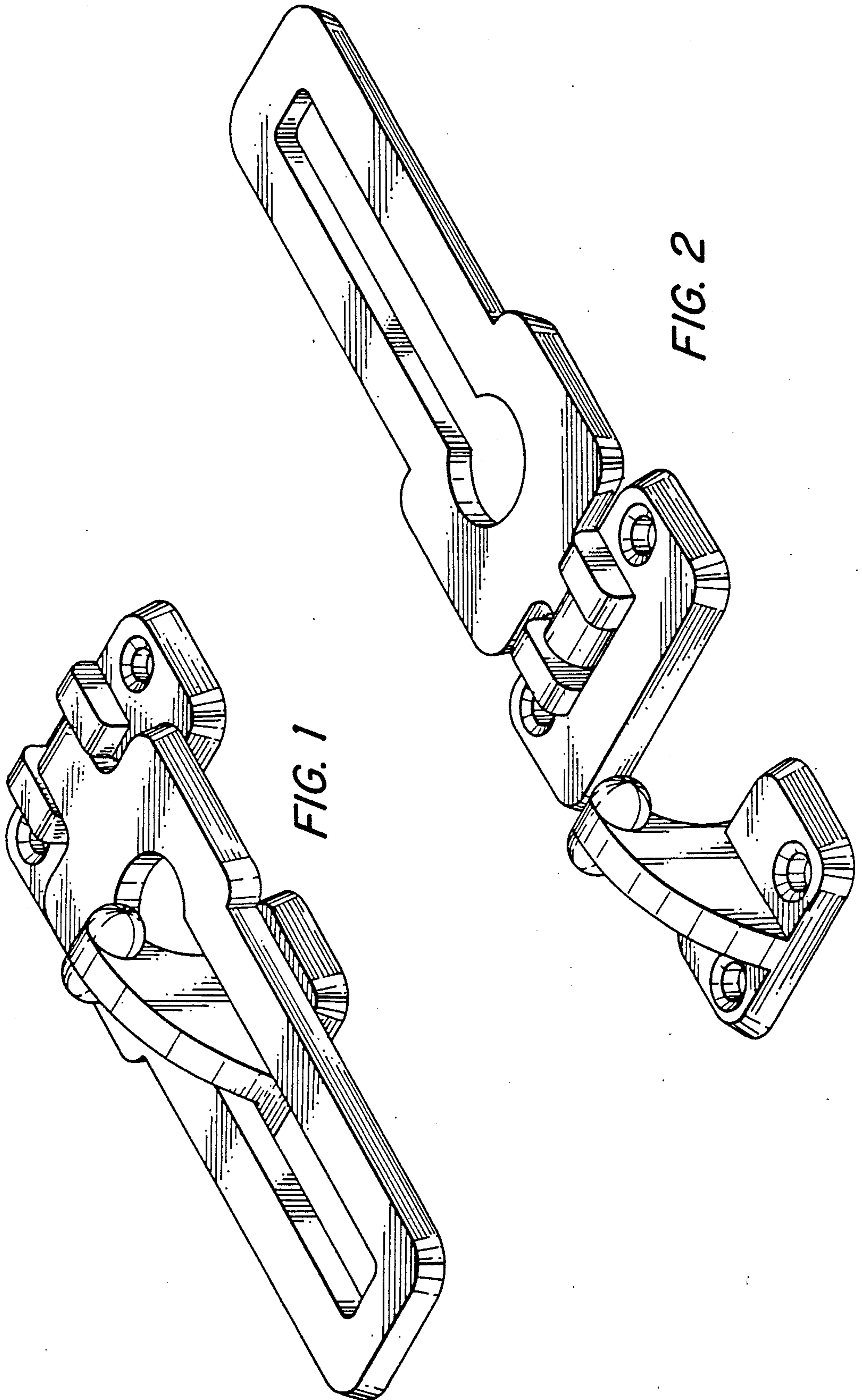
[57] CLAIM

The ornamental design for a door guard, as shown and described.

DESCRIPTION

FIG. 1 is a bottom, front, and left side perspective view of a door guard showing my new design;  
 FIG. 2 is a bottom, front, and left side perspective view thereof, with the arm portion rotated to a unengaged position;  
 FIG. 3 is a front elevational view thereof;  
 FIG. 4 is a bottom plan view thereof, the top being a mirror image of that shown;  
 FIG. 5 is a left side elevational view thereof; and  
 FIG. 6 is a right side elevational view thereof.





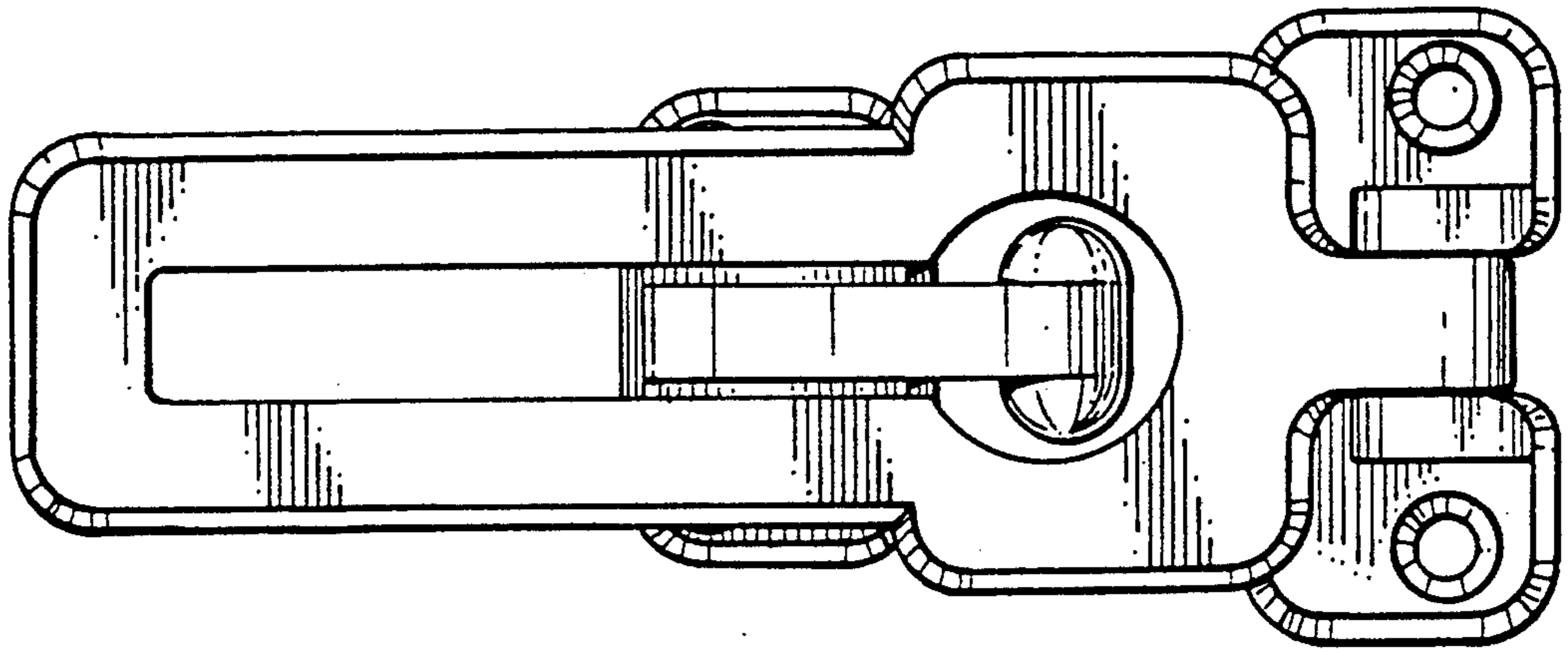


FIG. 3

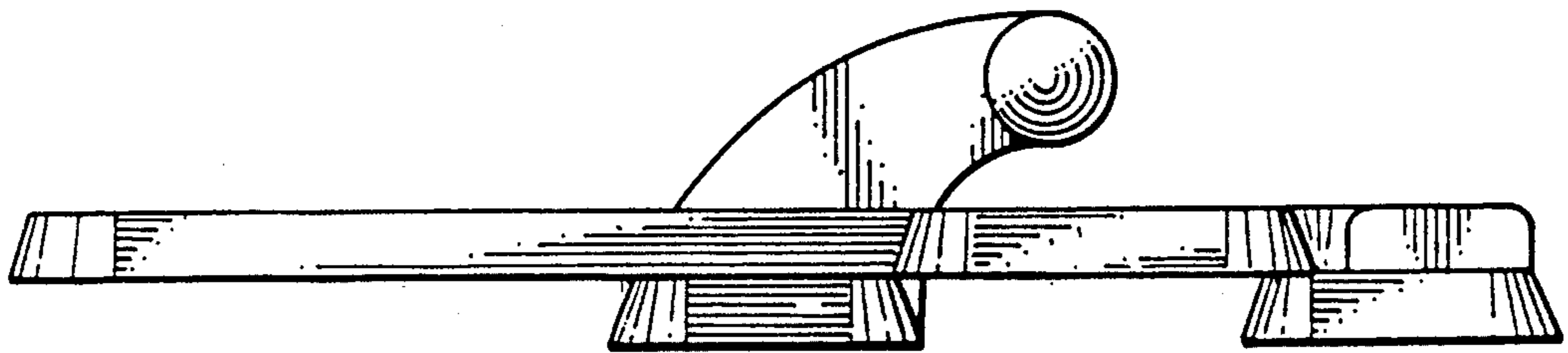


FIG. 4

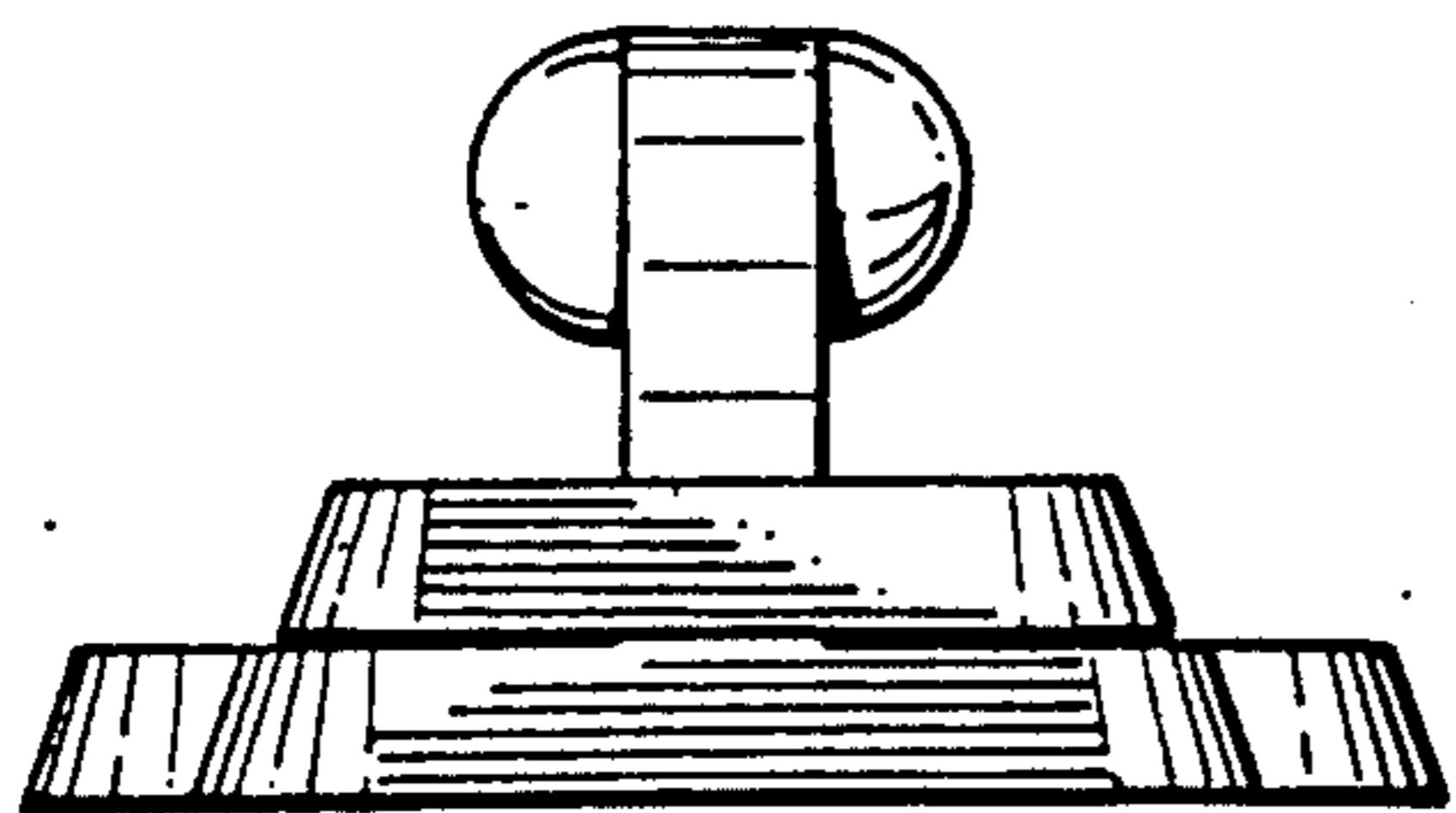


FIG. 5

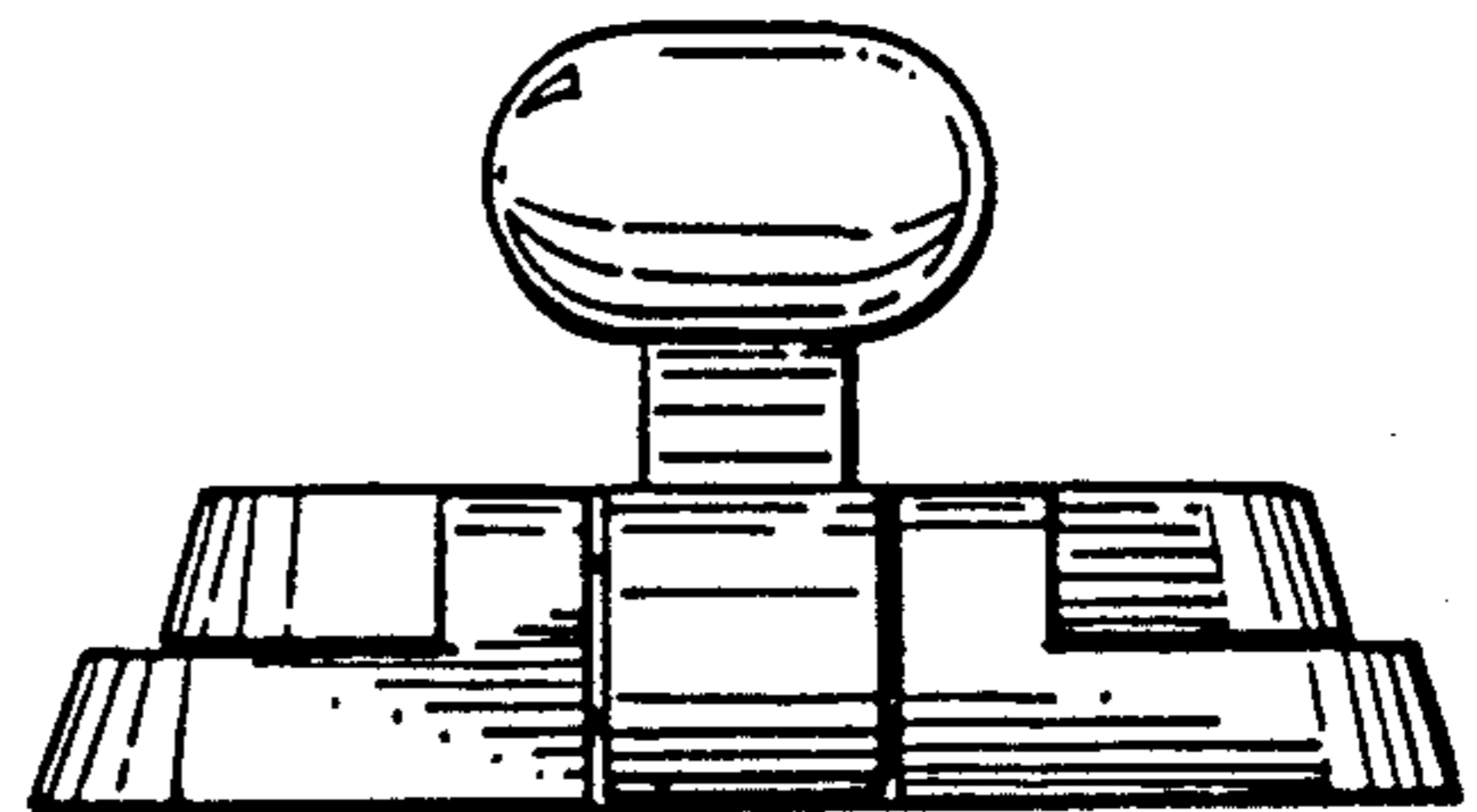


FIG. 6