

[54] HANDLE

[75] Inventors: Mary J. Reid; David J. O'Connell, both of Sheboygan, Wis.

[73] Assignee: Jacob Delafon, Paris, France

[**] Term: 14 Years

[21] Appl. No.: 433,085

[22] Filed: Nov. 6, 1989

[52] U.S. Cl. D8/312; D23/250

[58] Field of Search D8/300, 307, 310-312; D23/250, 251, 254; 16/110 R, 111 R, 121

[56] References Cited

U.S. PATENT DOCUMENTS

D. 15,754	1/1885	Russell, Jr.	D8/312
D. 106,677	10/1937	Schlage	D8/312
D. 290,495	6/1987	Ryan .	
D. 312,497	11/1990	Paul	D23/254
403,340	5/1889	Foy .	
2,100,818	11/1937	Redman	16/121

OTHER PUBLICATIONS

Plastiglide Knobs & Pulls; Cat 10B; p. 3; Knob 142-0104 (left below center).

Page 54 From a Harden Catalog Showing the 85 Series Spherical Handles. (undated).

Page 3-2 Of The Kohler Co. K-400 Catalog dated 1988, Showing The "Cygnet" Handle.

Page 37 From a Harden Catalog Showing The 70 Series Spherical Handles.

Primary Examiner—B. J. Bullock

Attorney, Agent, or Firm—Quarles & Brady

[57] CLAIM

The ornamental design for a handle, as shown and described.

DESCRIPTION

FIG. 1 is a perspective view taken from the top, front and left side of a handle showing our new design;

FIG. 2 is a top plan view thereof;

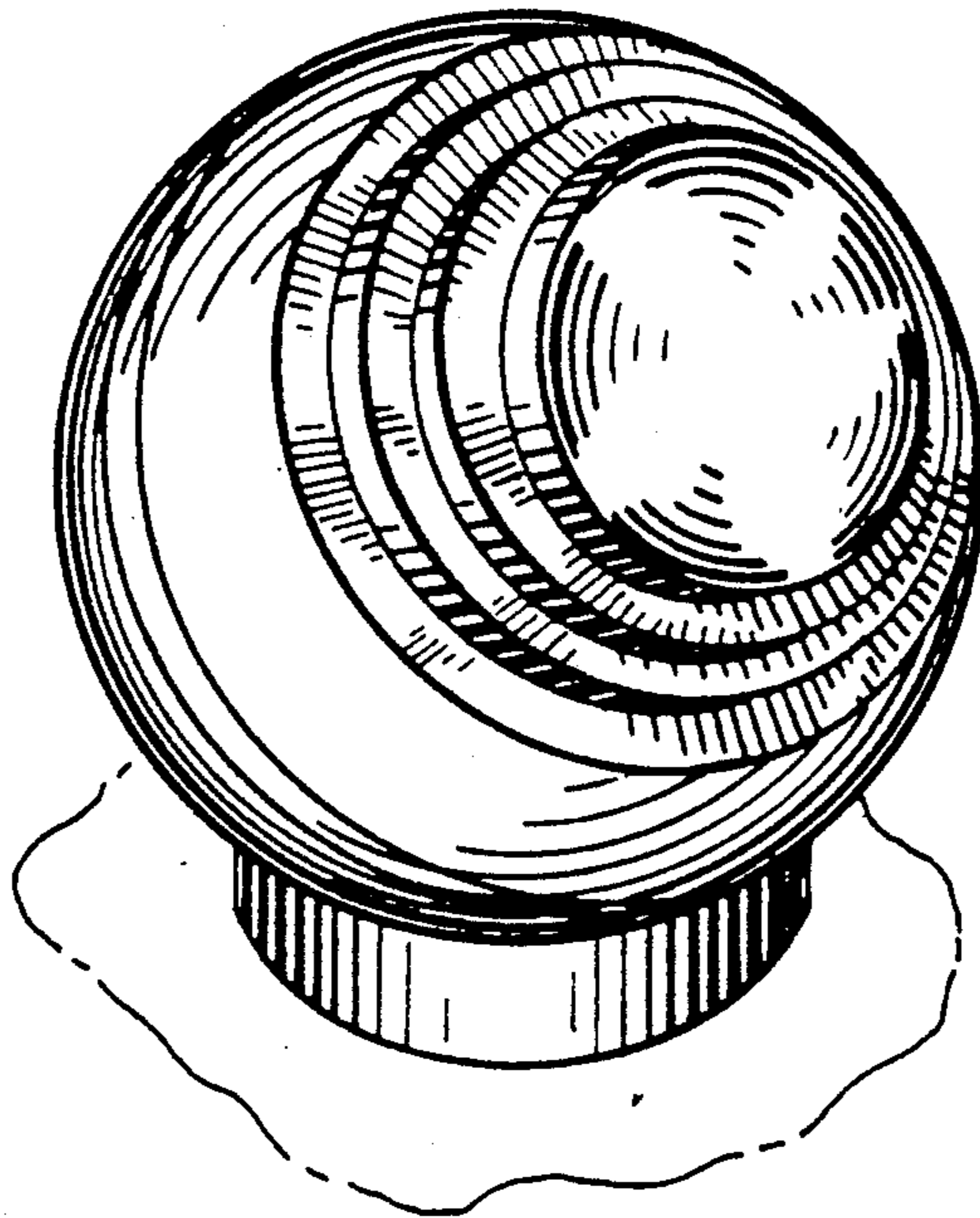
FIG. 3 is a left side elevational view thereof, the right side elevational view being the mirror image thereof;

FIG. 4 is a front elevational view thereof;

FIG. 5 is a rear elevational view thereof; and

FIG. 6 is a bottom plan view thereof.

The fragmentary broken line representation of a surface in FIG. 1 is for the purpose of illustration only.



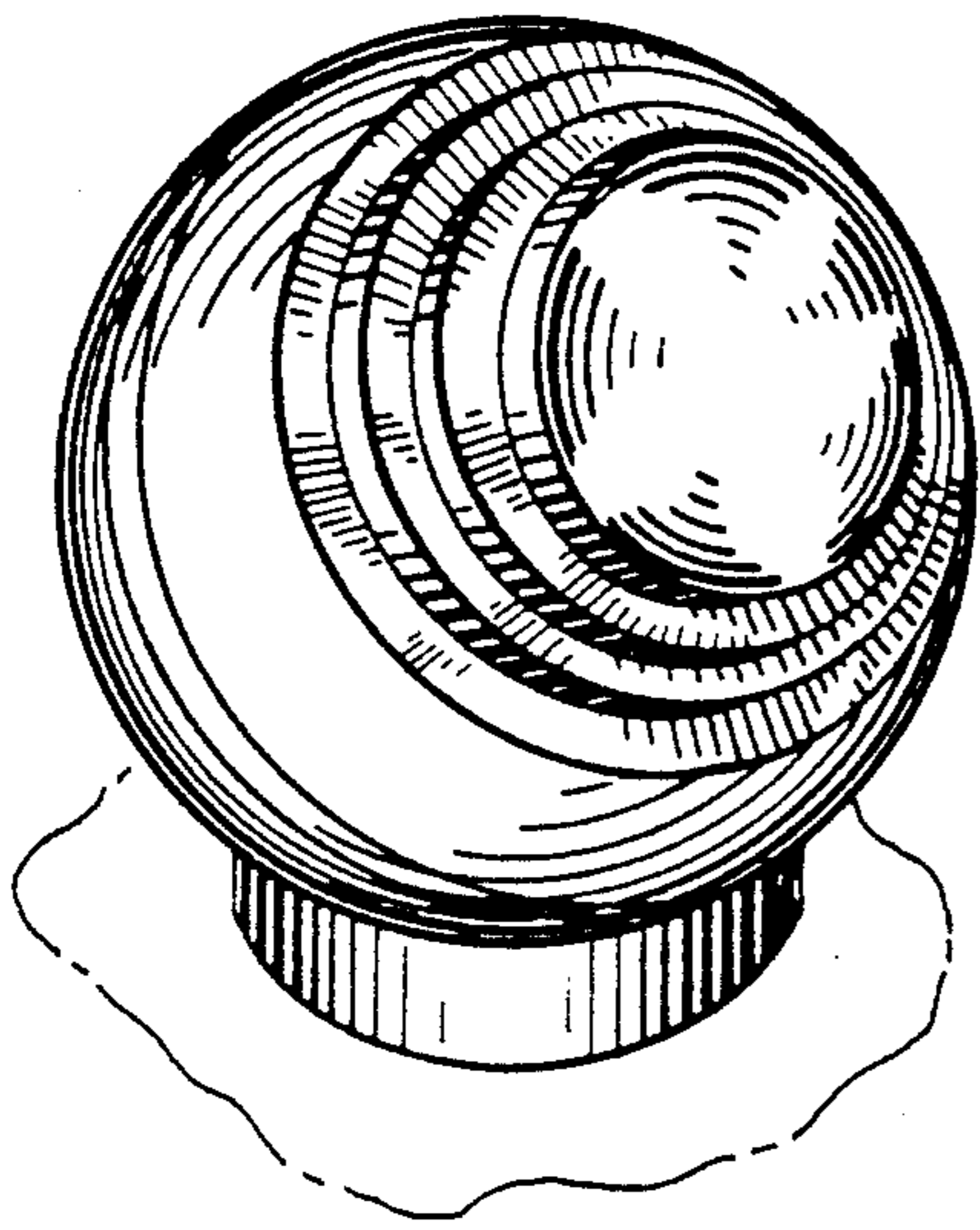


FIG. 1

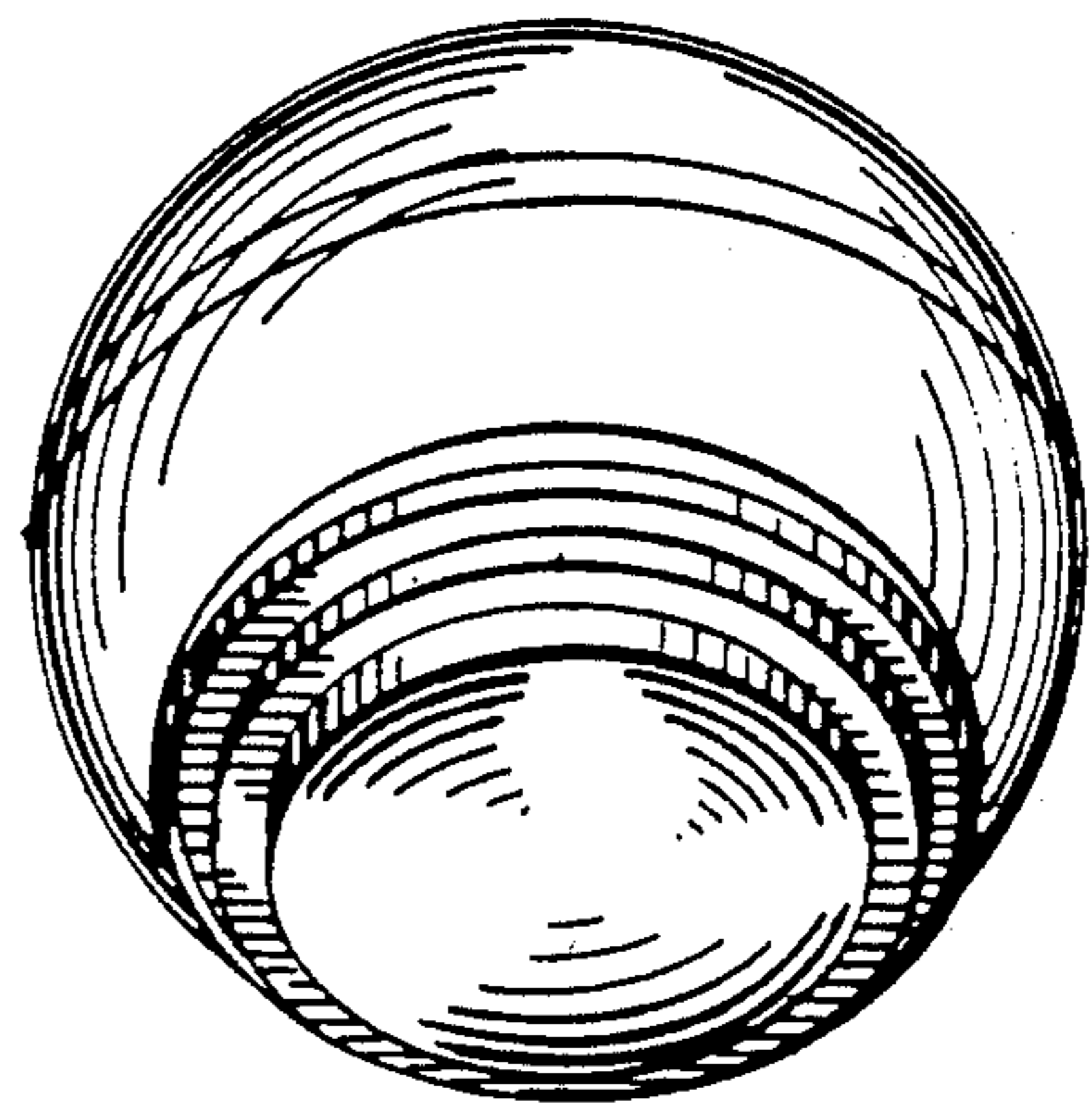


FIG. 2

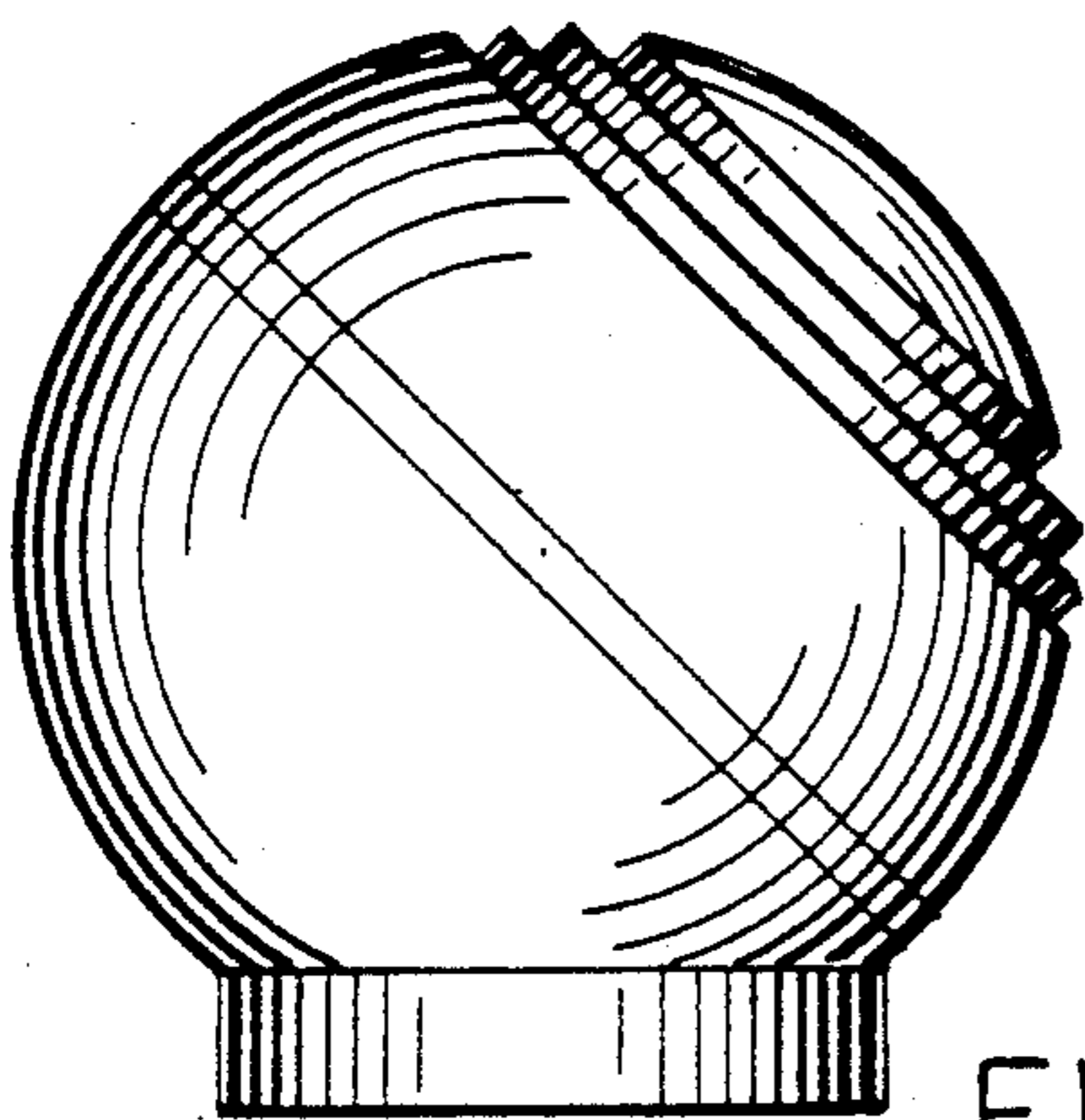


FIG. 3

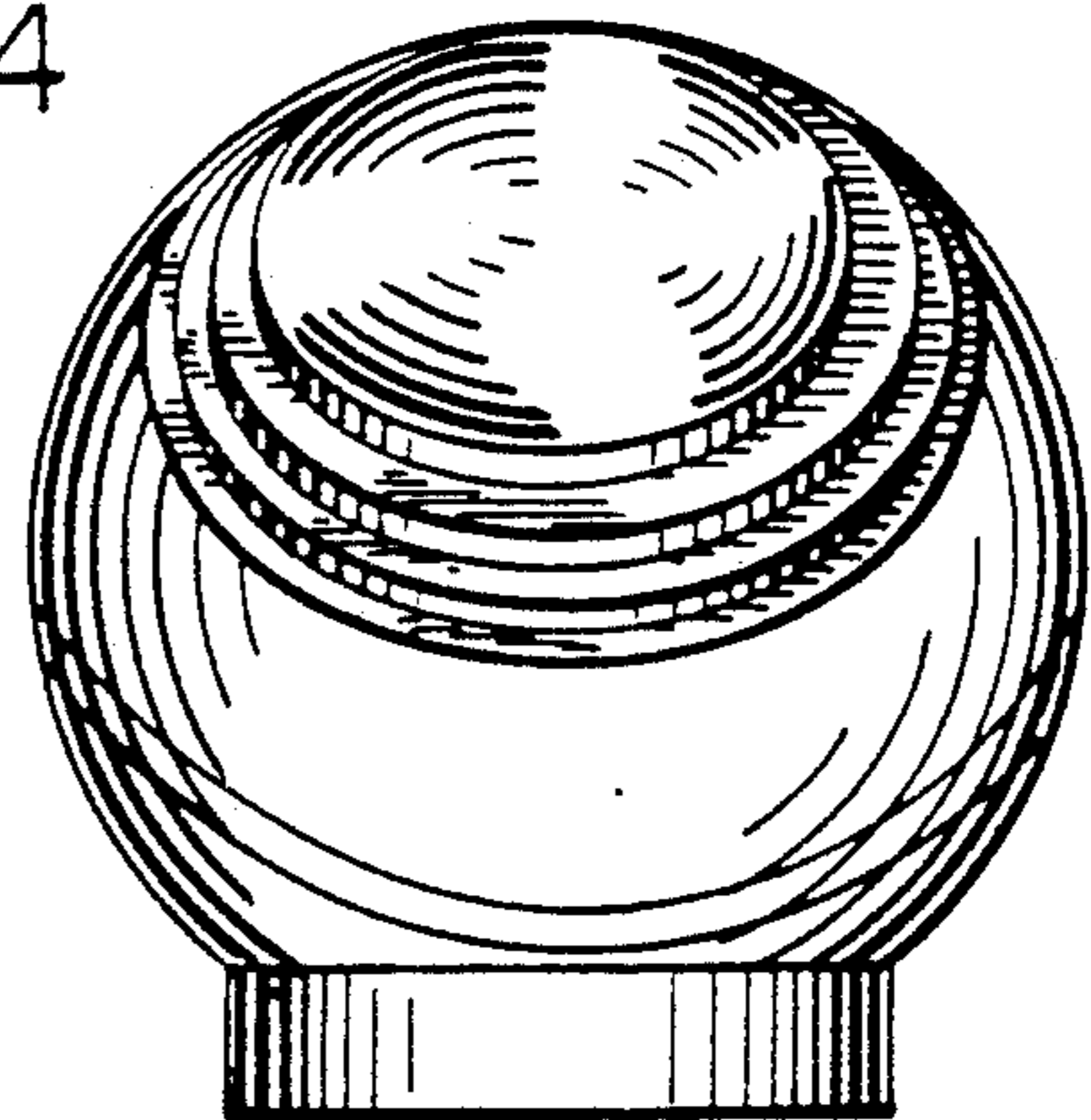


FIG. 4

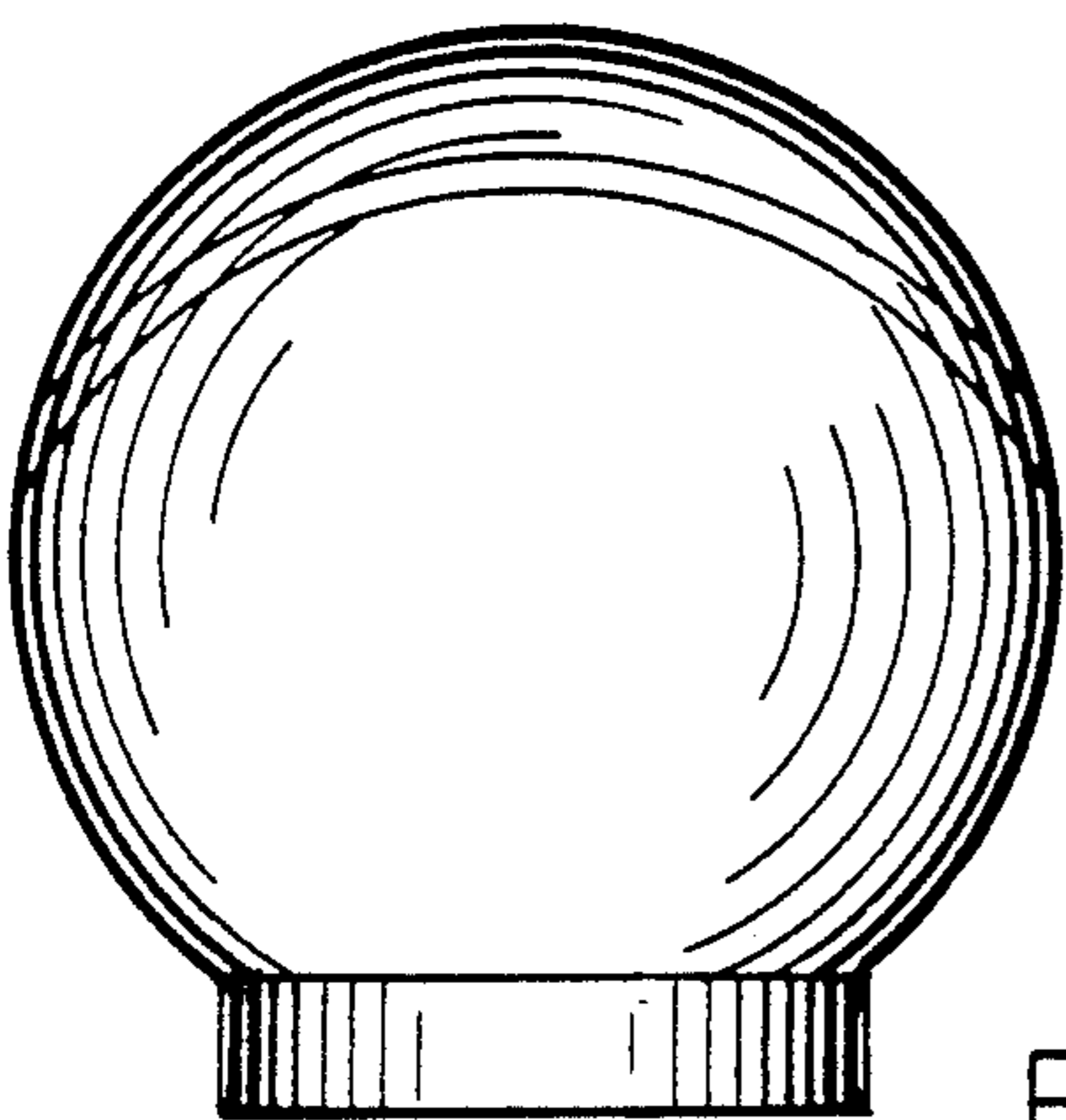


FIG. 5

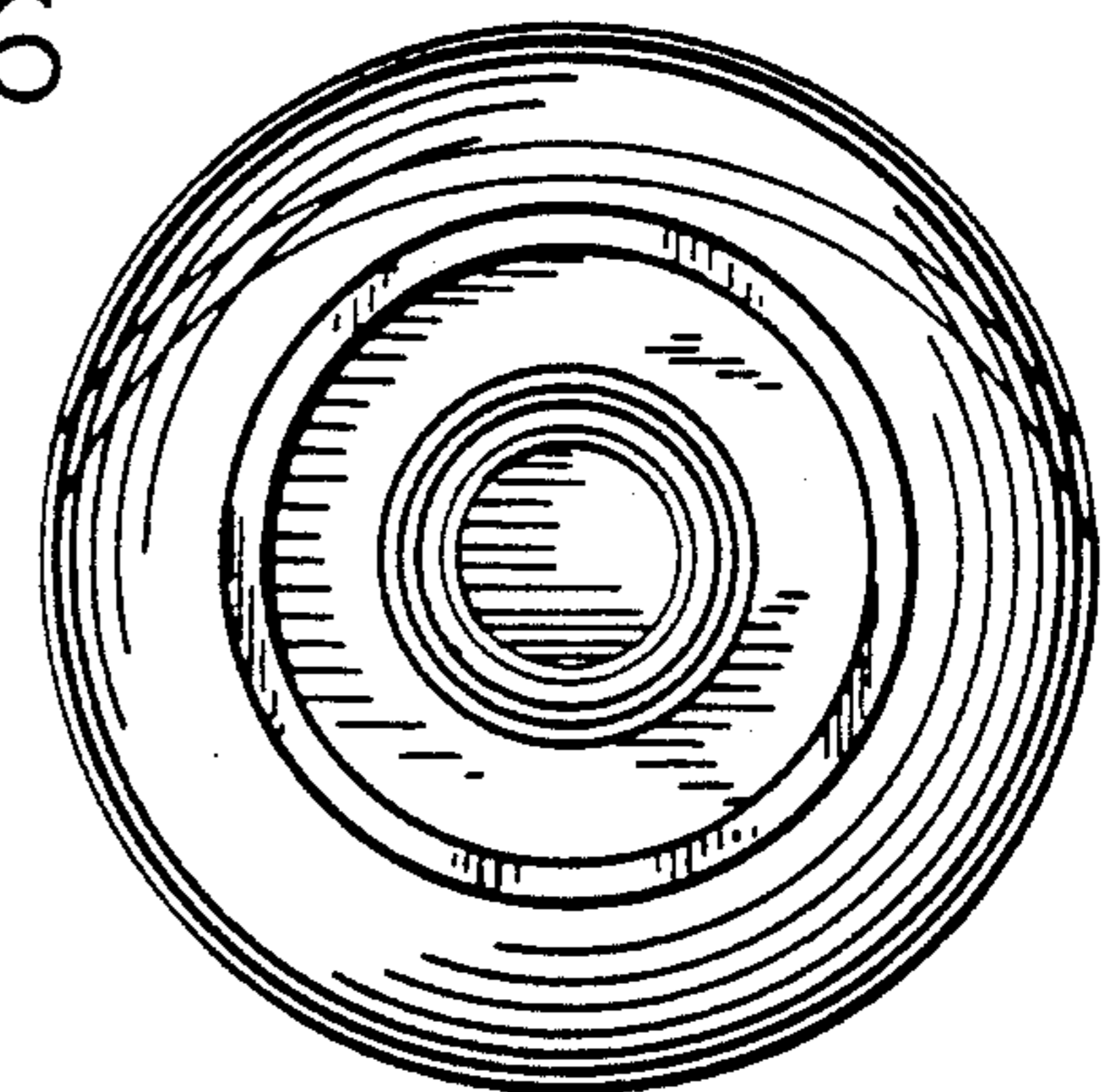


FIG. 6