

- [54] COMBINED DOOR HANDLE AND DEADBOLT UNIT
- [75] Inventors: Paul D. Fleming, Glendale; Nandor Gajer, Woodland Hills, both of Calif.
- [73] Assignee: W & F Manufacturing, Inc., Glendale, Calif.
- [**] Term: 14 Years
- [21] Appl. No.: 332,096
- [22] Filed: Apr. 3, 1989
- [52] U.S. Cl. D8/301; D8/307; D8/308; D8/350
- [58] Field of Search D8/300, 301, 302, 307, D8/308, 350; 16/110 R, 111 R; 74/519, 523; 70/91, 95, 100, DIG. 31; 292/347, 357

- [56] References Cited
- U.S. PATENT DOCUMENTS
- D. 295,829 5/1988 Ortega et al. .
- D. 297,805 9/1988 Ortega et al. .
- 4,671,089 6/1987 Fleming et al. .

OTHER PUBLICATIONS

Assa 1986 Cat.; ©1986; p. 13; Lever And Escutcheon 4291 (center).

Sager Cat. No. 37; ©1937; p. 31 A; Escutcheon Sheldon SD (3rd row, third from right).

Primary Examiner—B. J. Bullock
 Attorney, Agent, or Firm—Kelly Bauersfeld & Lowry

[57] CLAIM

The ornamental design for a combined door handle and deadbolt unit, as shown and described.

DESCRIPTION

FIG. 1 is a left side elevational view of a combined door handle and deadbolt unit embodying the new design,

the outline depiction of a door being for illustrative purposes only;

FIG. 2 is an inside front elevational view thereof;

FIG. 3 is a right side elevational view thereof, the outline depiction of a door being for illustrative purposes only;

FIG. 4 is an outside front elevational view thereof;

FIG. 5 is a top plan view thereof, the outline depiction of a door for illustrative purposes only;

FIG. 6 is a bottom plan view thereof, the outline depiction of a door being for illustrative purposes only;

FIG. 7 is an inside rear elevational view taken generally on the line 7—7 of FIG. 1, the outside rear elevational view being a mirror image thereof;

FIG. 8 is an inside front perspective view of a second embodiment of the design of FIG. 1, the only differences being the configuration of the handle and thumb turn;

FIG. 9 is a left side elevational view of a third embodiment of the design of FIG. 1, the outline depiction of a door being for illustrative purposes only;

FIG. 10 is an inside front elevational view of the embodiment of FIG. 9;

FIG. 11 is a right side elevational view of the embodiment of FIG. 9, the outline depiction of a door being for illustrative purposes only;

FIG. 12 is an outside front elevational view of the embodiment of FIG. 9;

FIG. 13 is a top plan view of the embodiment of FIG. 9, the outline depiction of a door being for illustrative purposes only;

FIG. 14 is a bottom plan view of the embodiment of FIG. 9, the outline depiction of a door being for illustrative purposes only;

FIG. 15 is an inside rear elevational view taken generally on the line 15—15 of FIG. 9, the outside rear elevational view being a mirror image thereof.

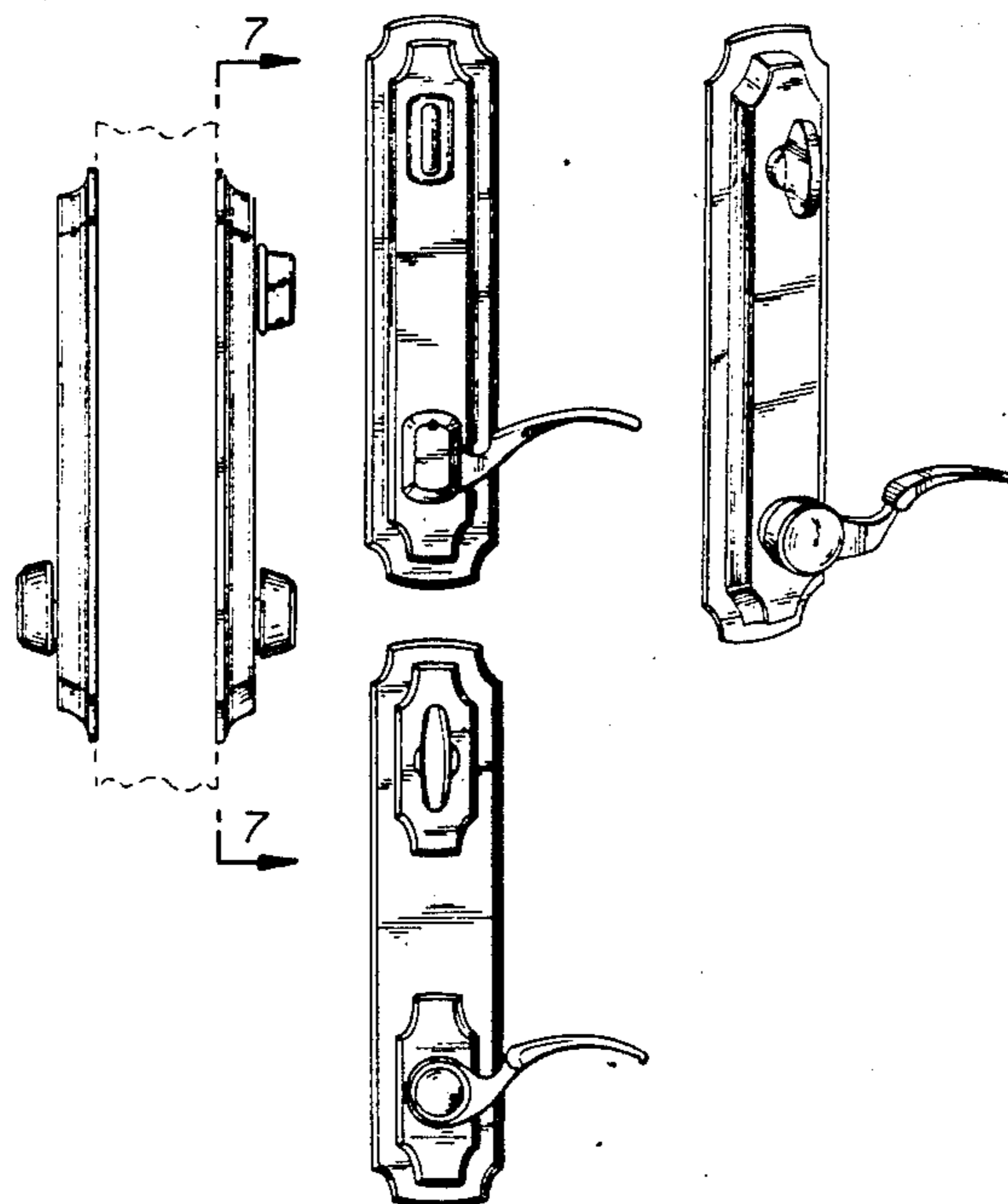


FIG. 1

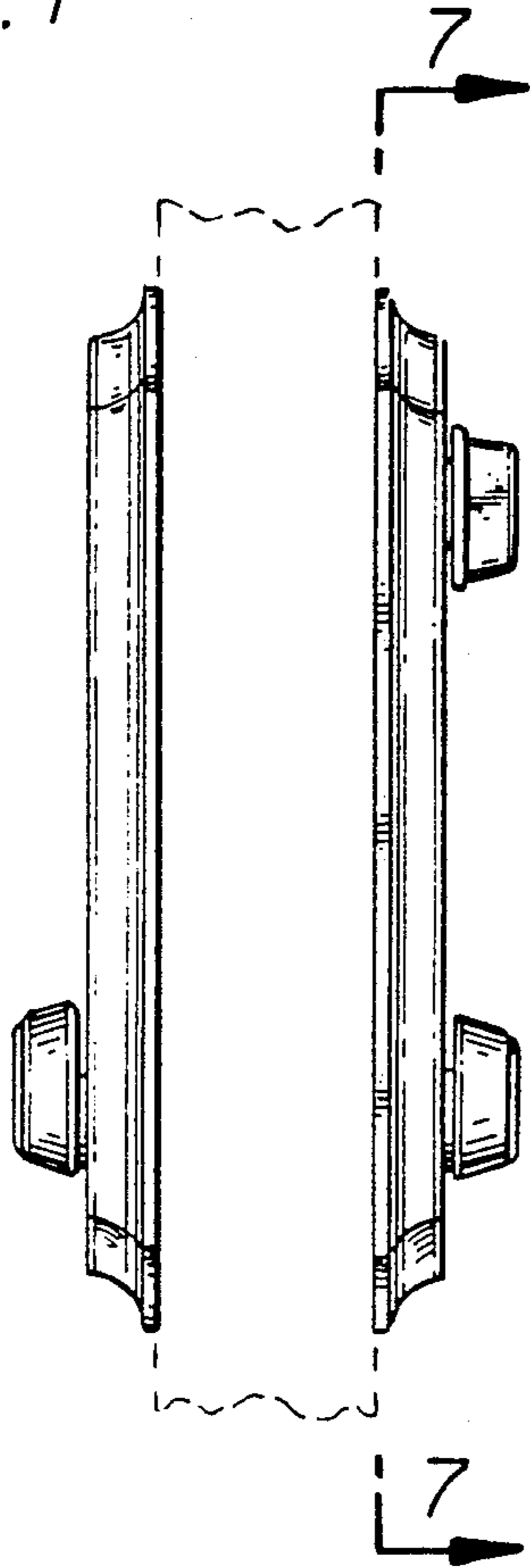


FIG. 2

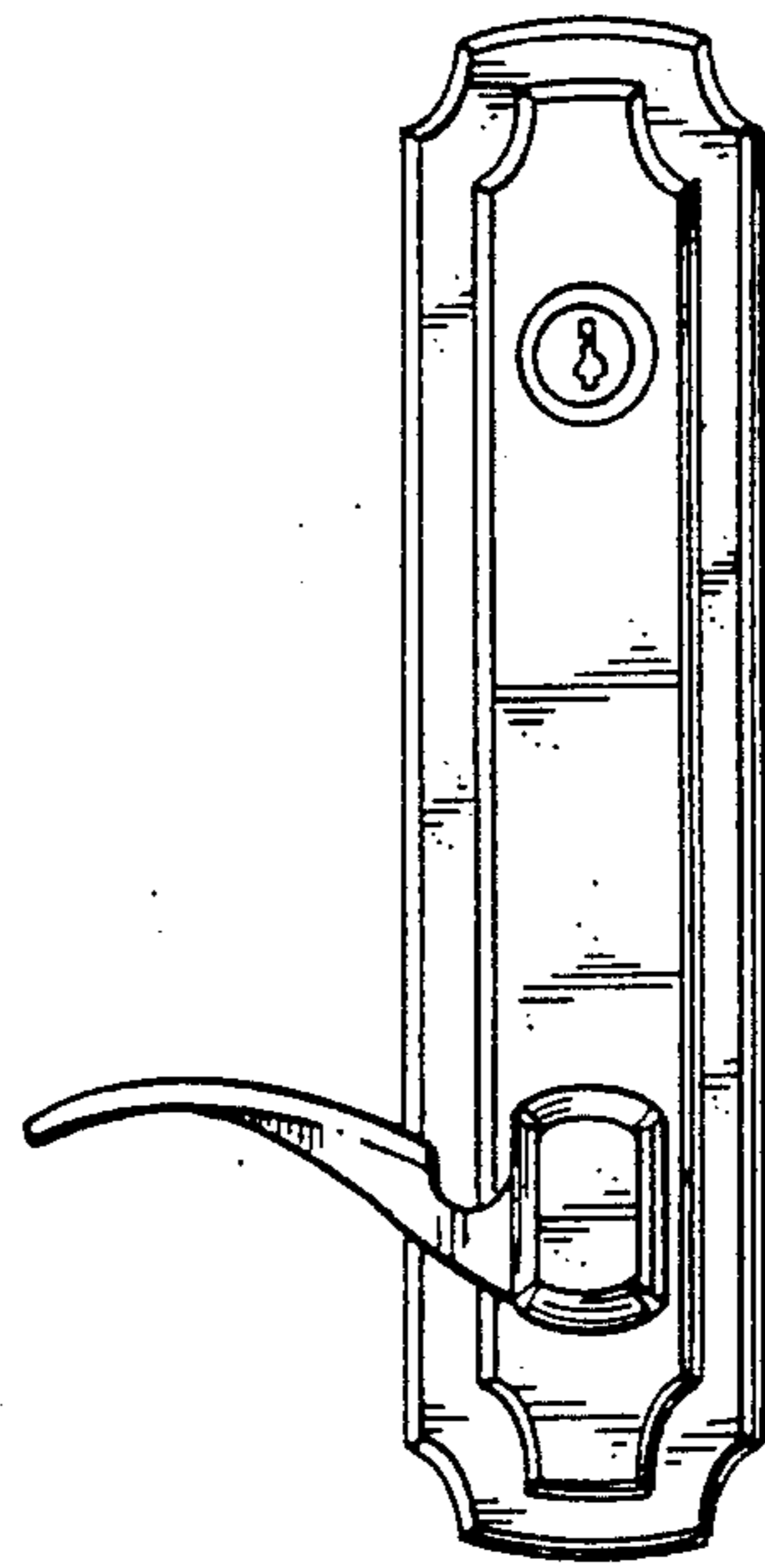
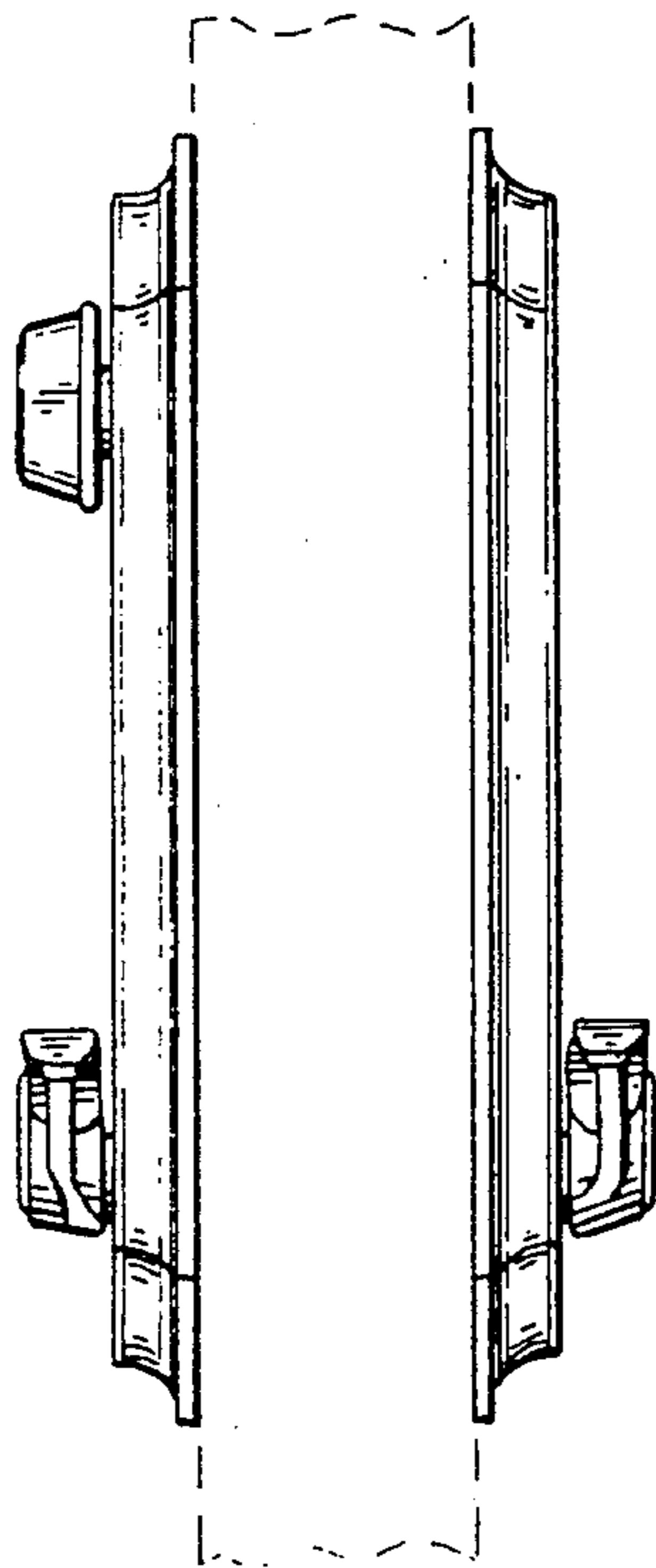
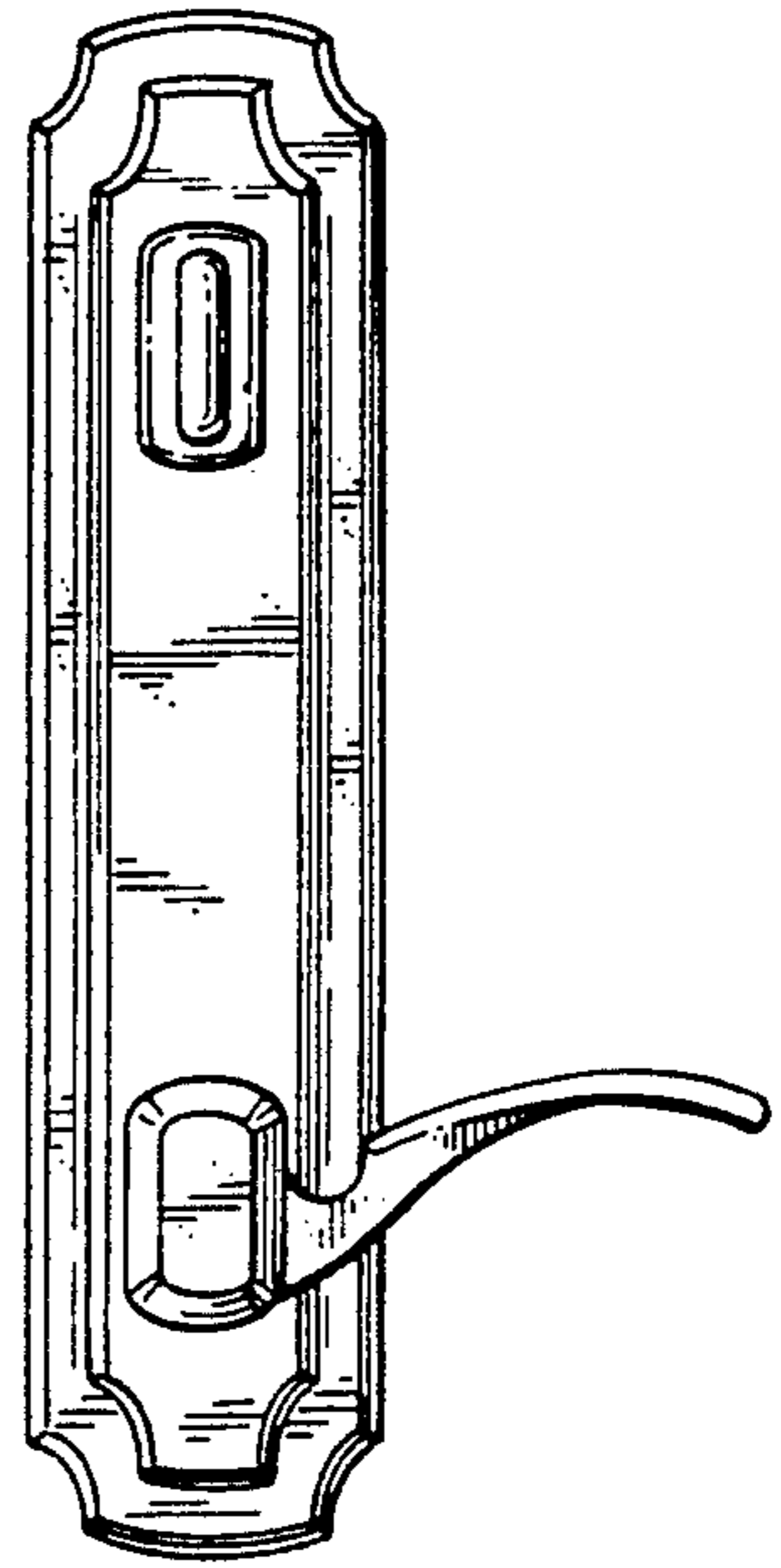


FIG. 3

FIG. 4

FIG. 5

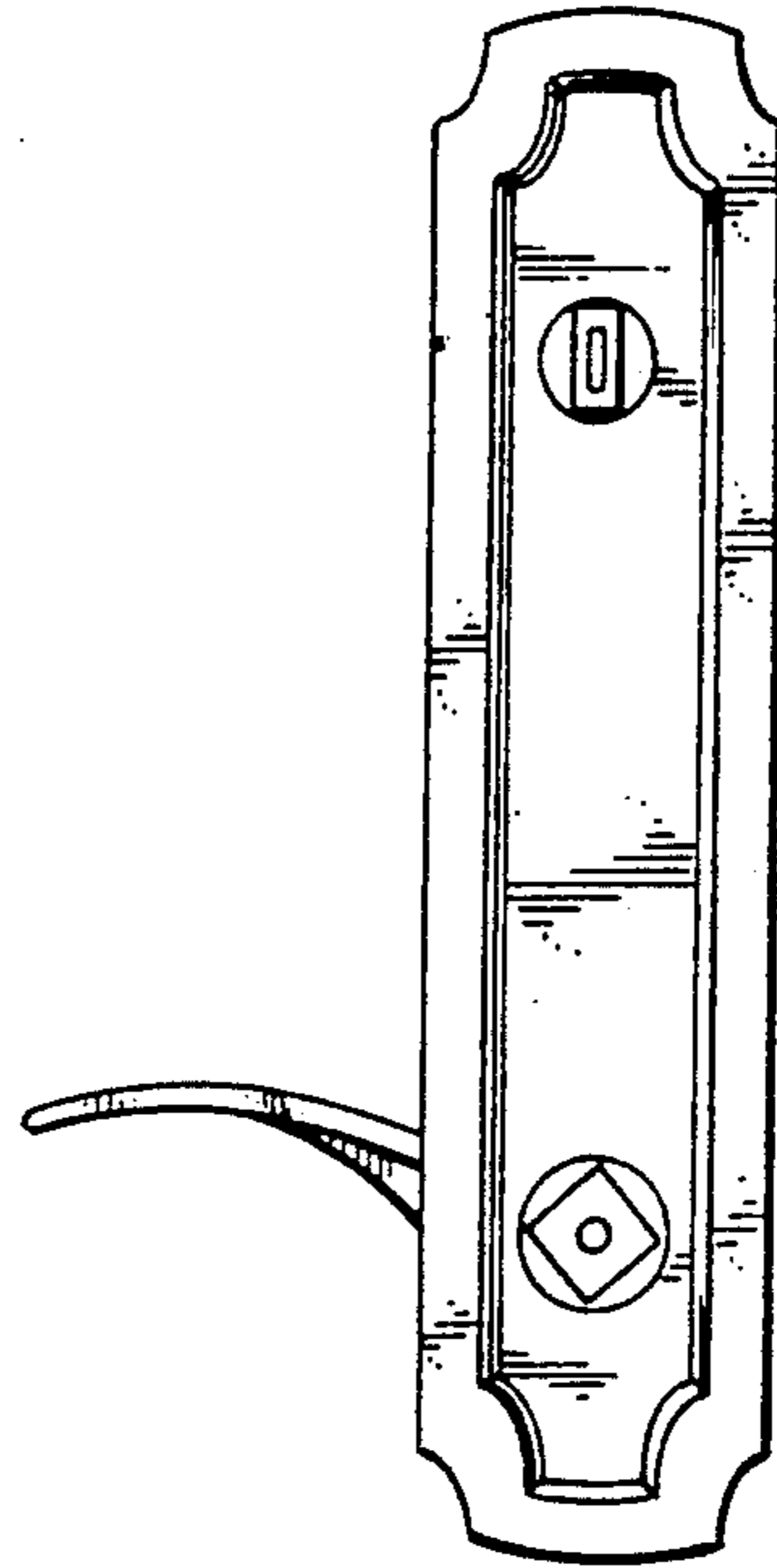
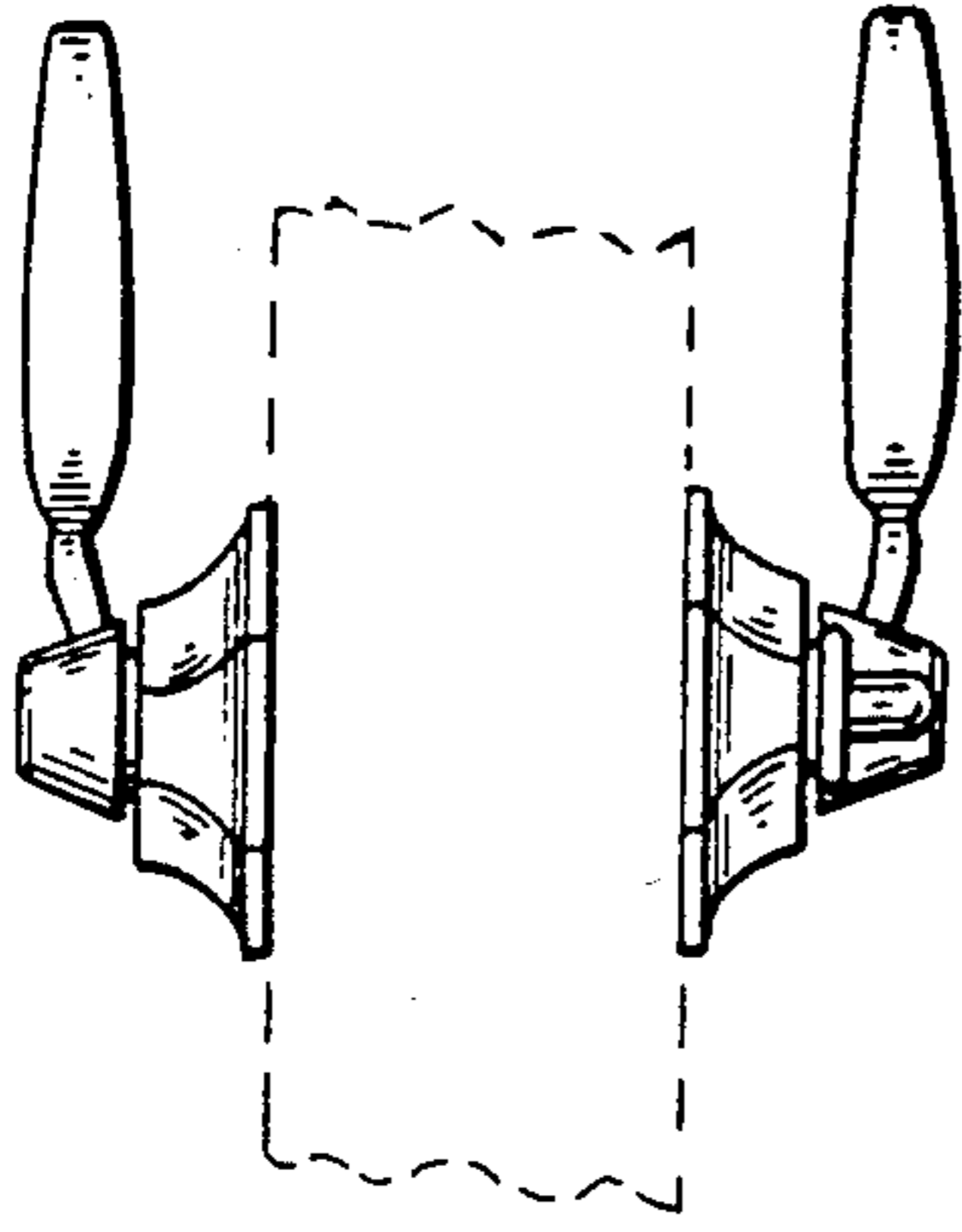


FIG. 7

FIG. 6

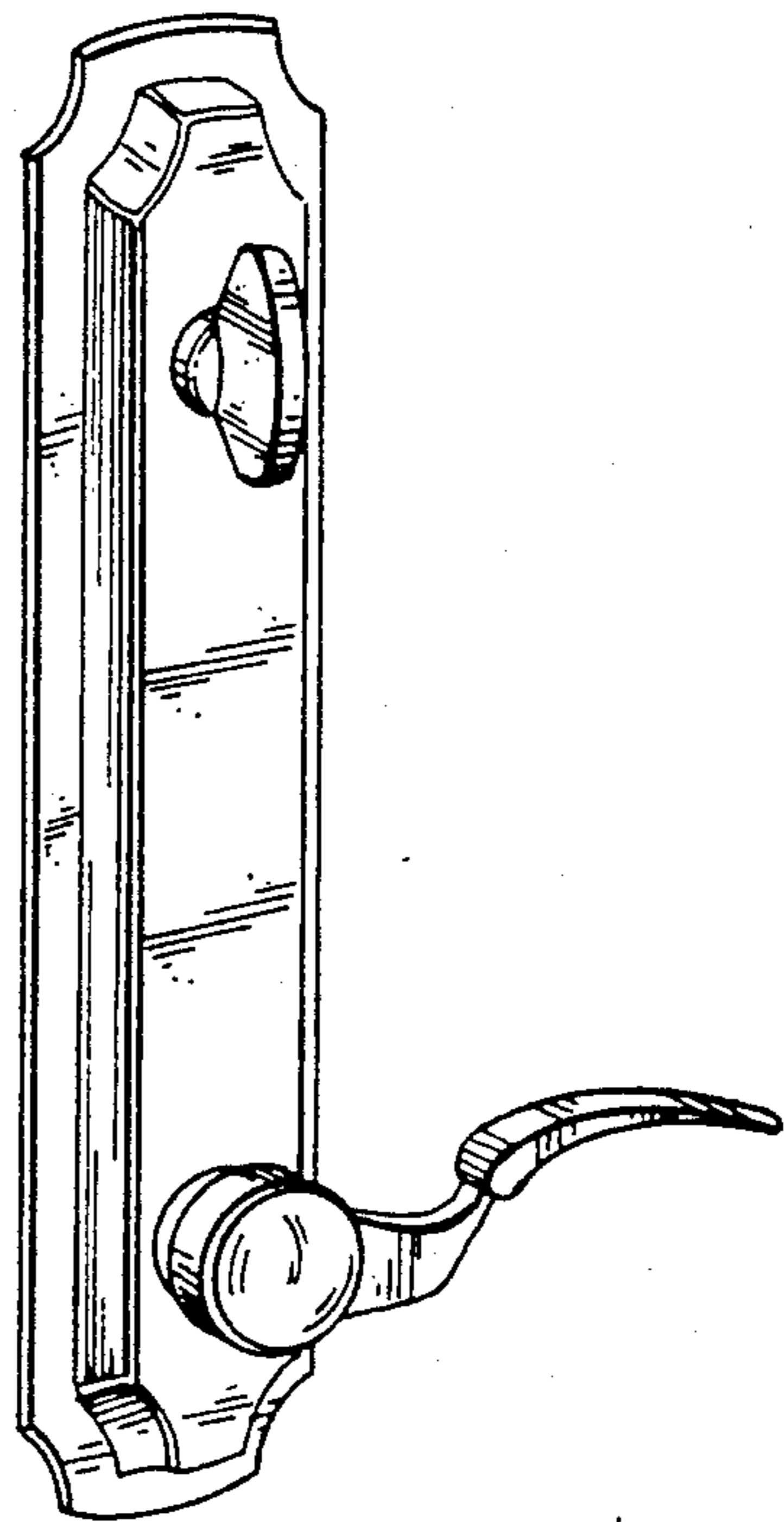
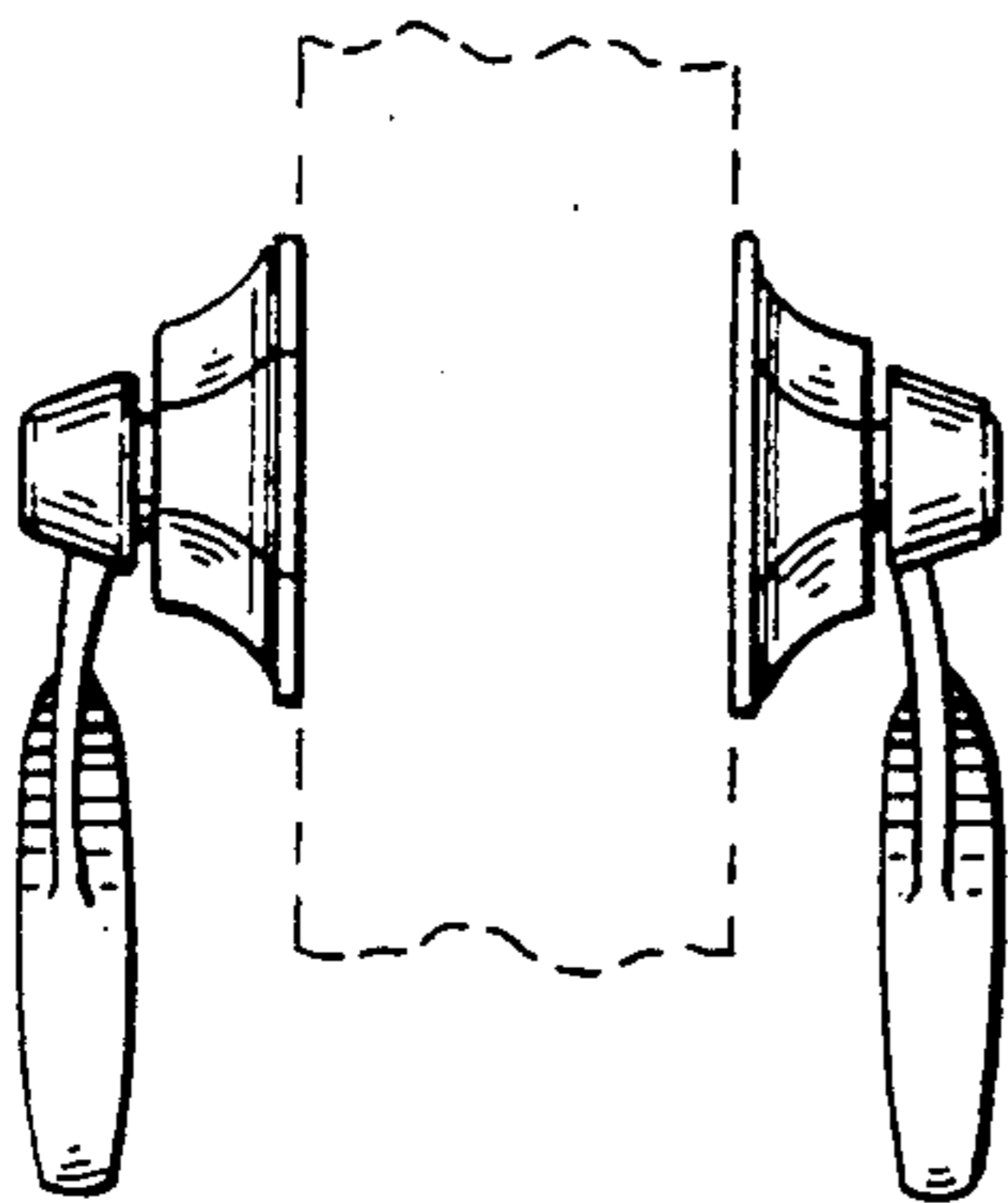


FIG. 8

FIG. 9

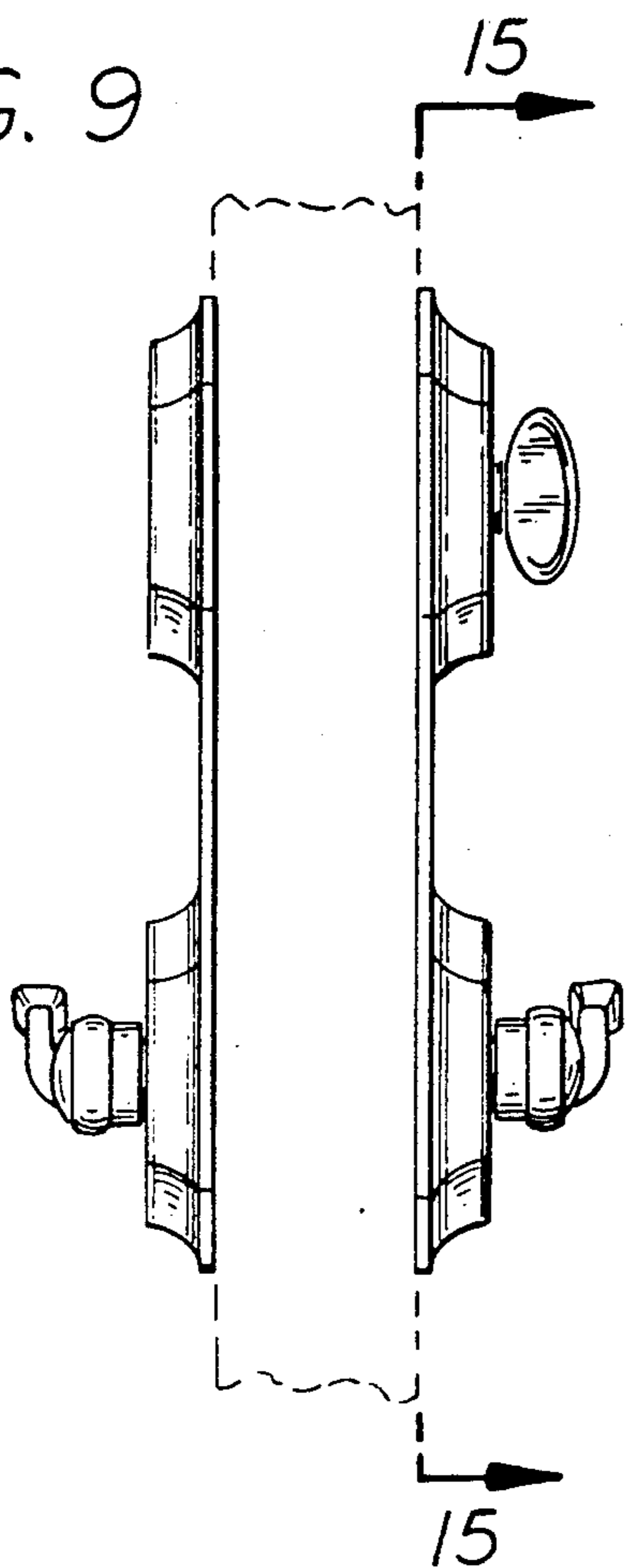


FIG. 10

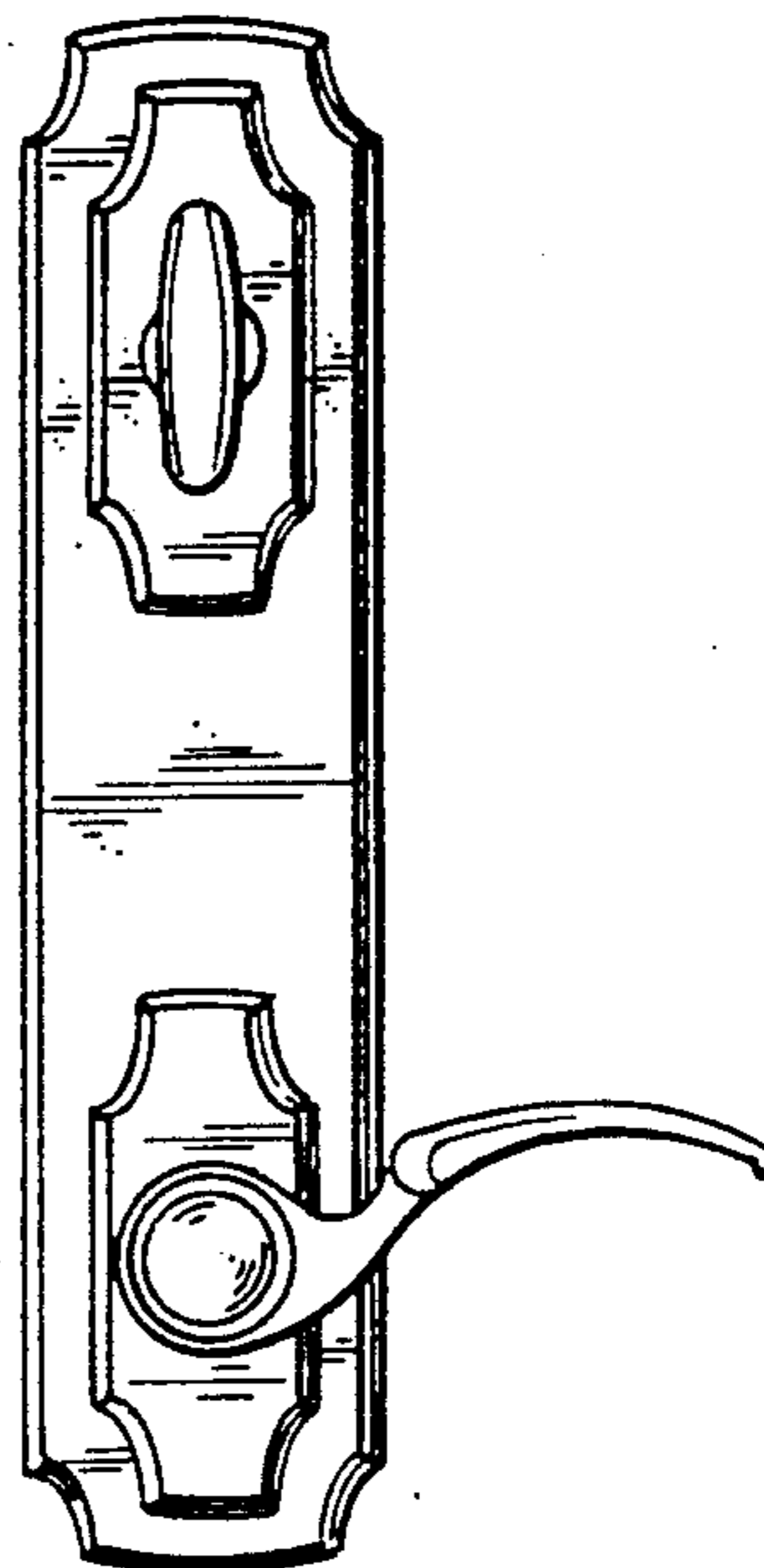


FIG. 12

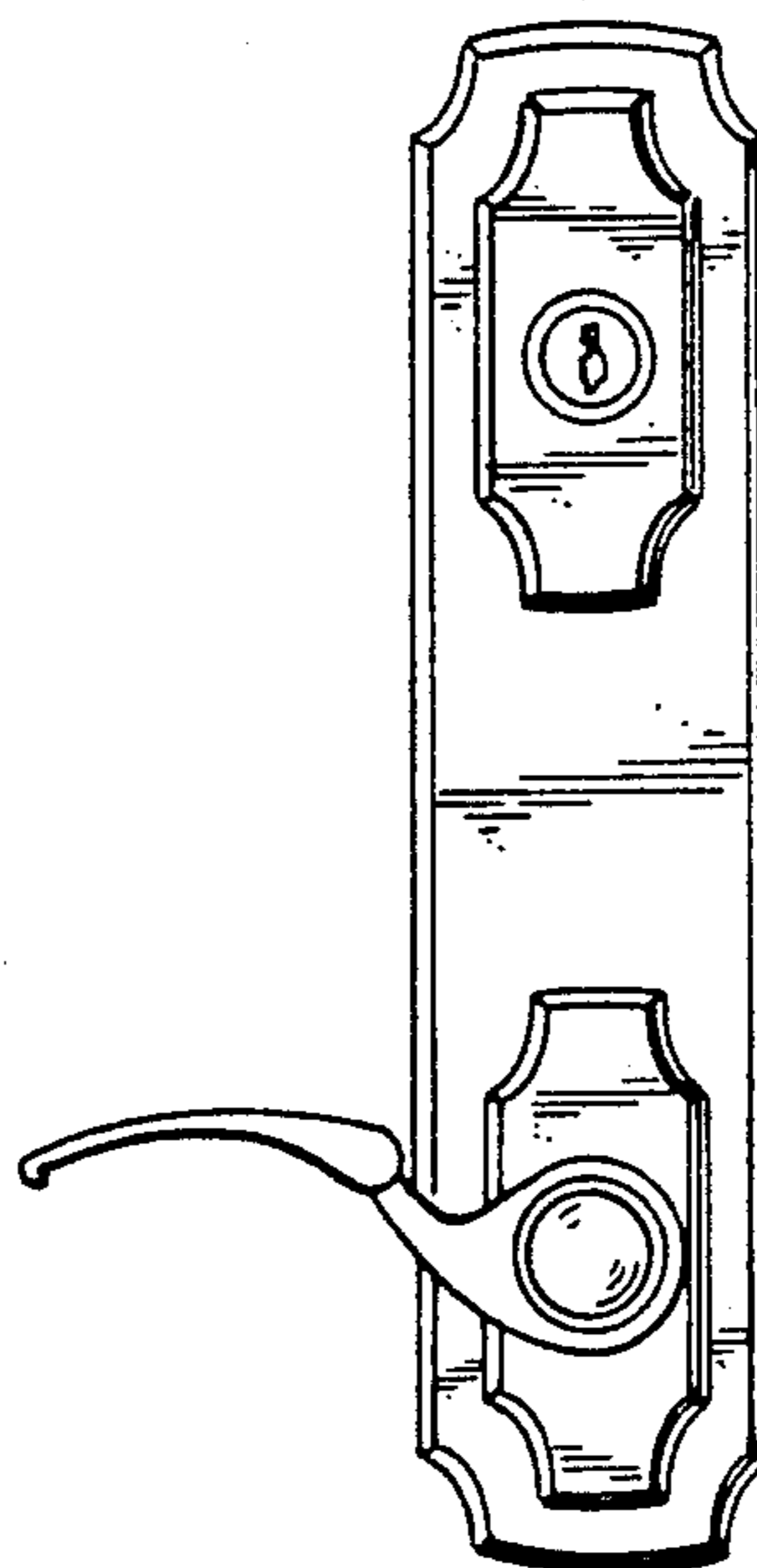


FIG. 11

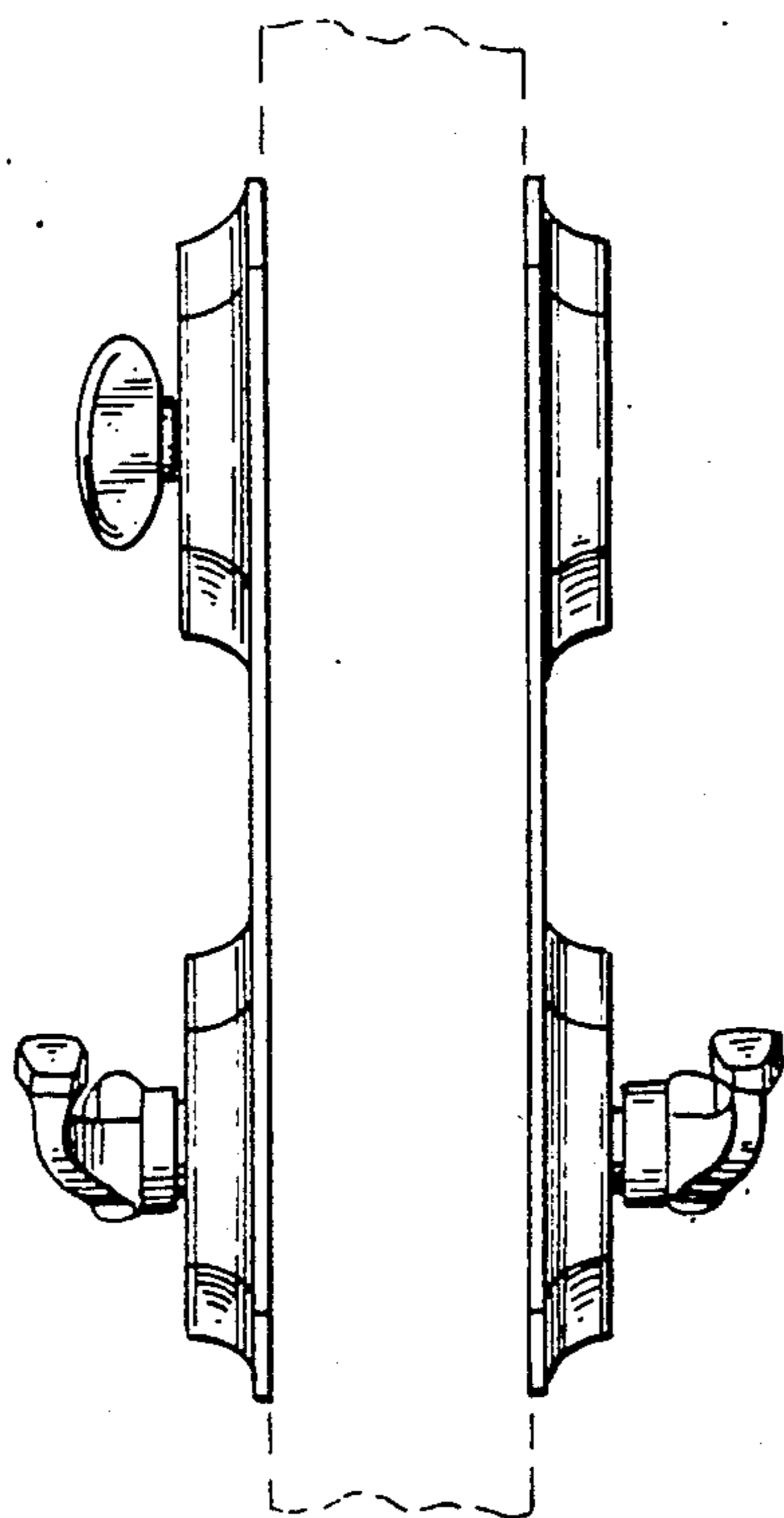


FIG. 13

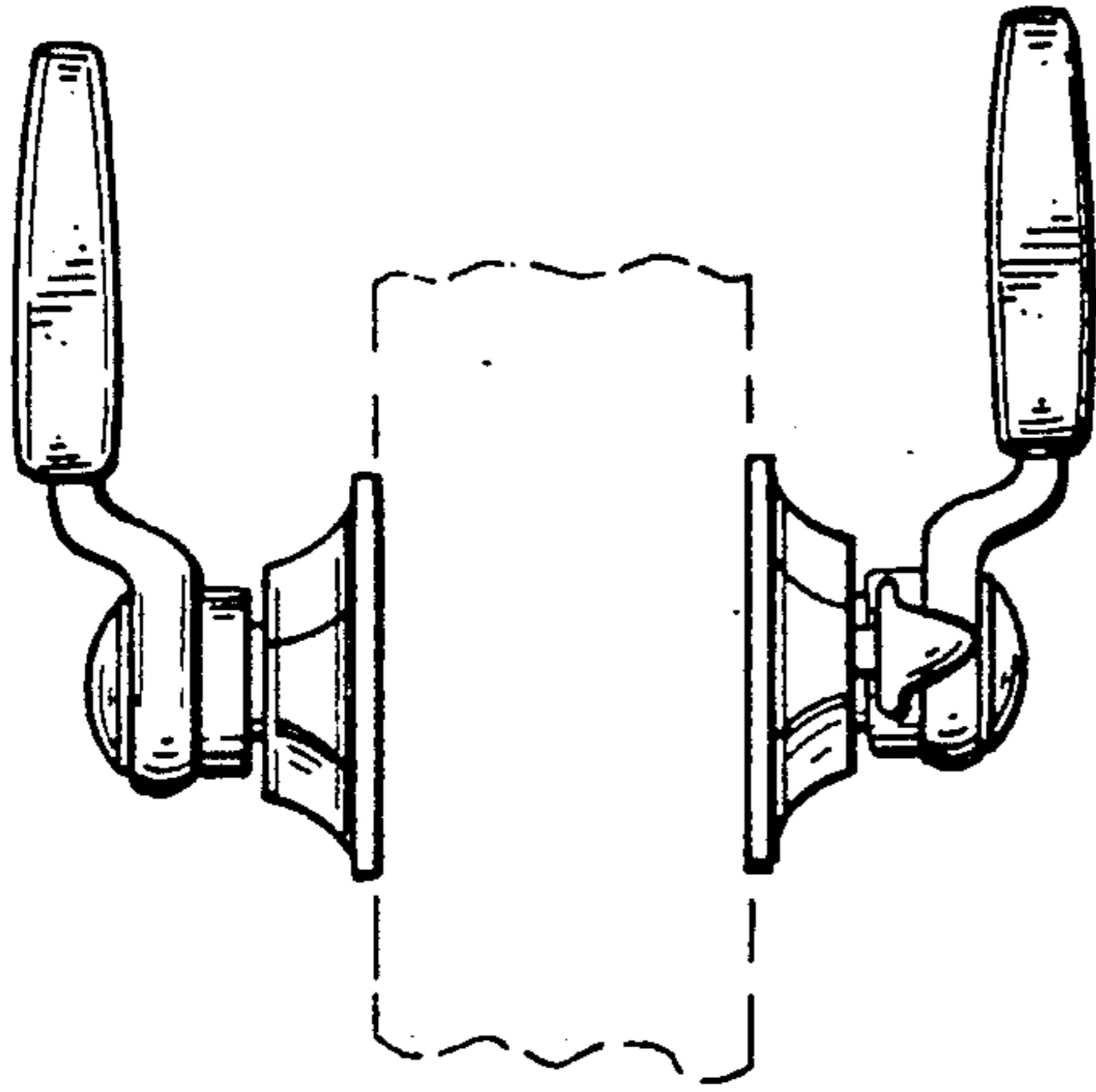


FIG. 15

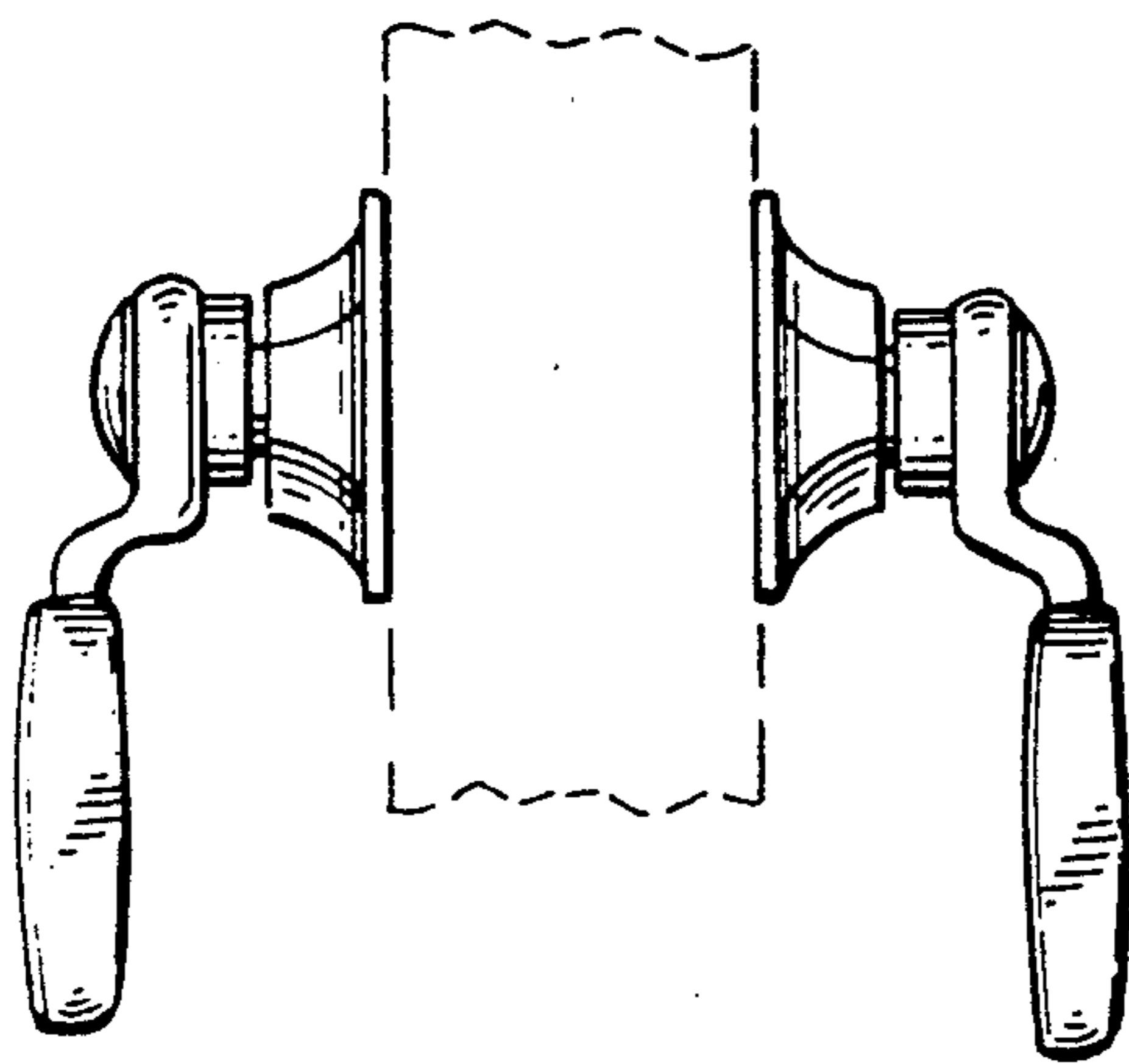
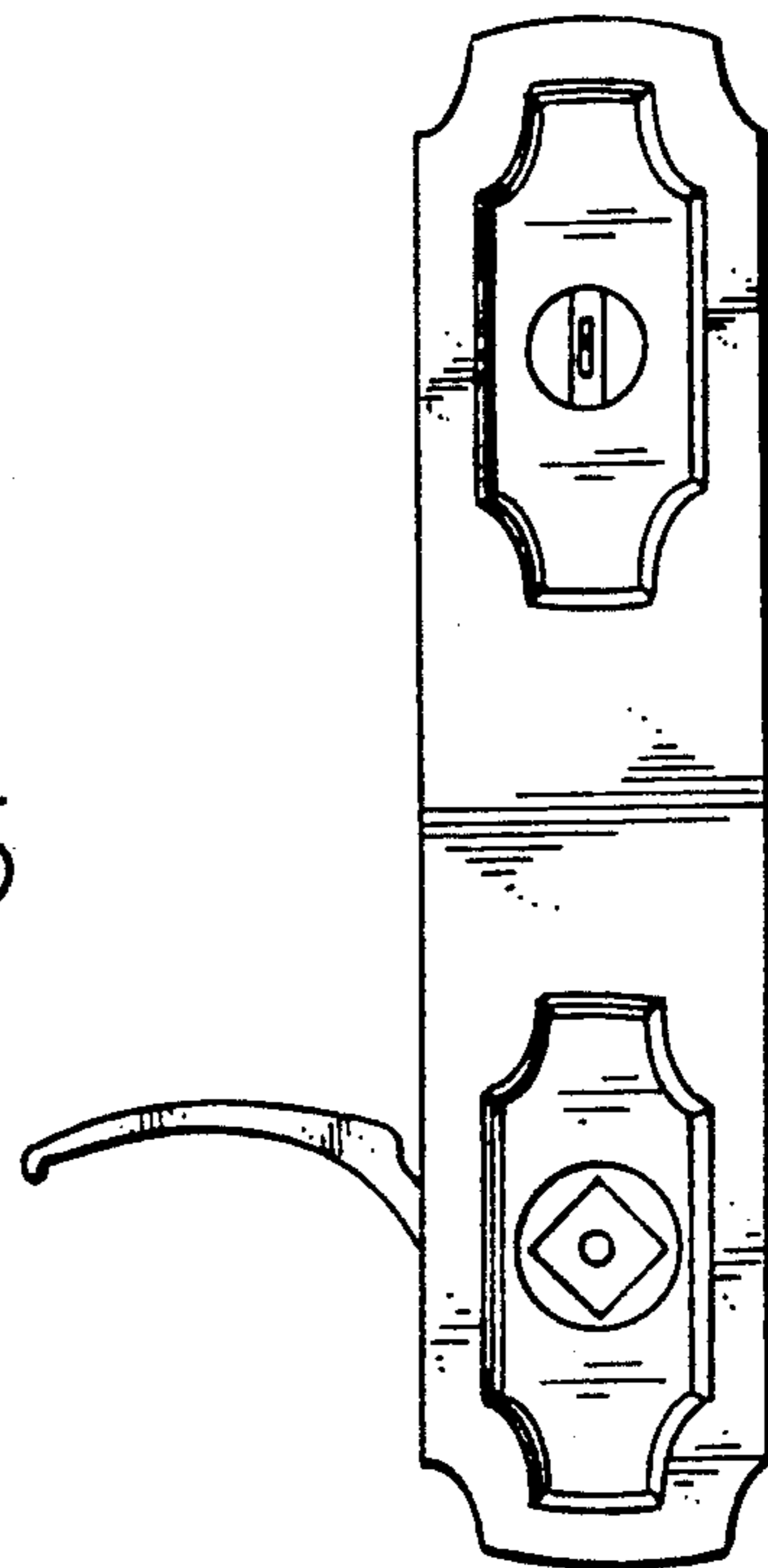


FIG. 14