

[54] **V-SHAPED CUP HOOK DRIVER**
 [75] **Inventor: Wilfred M. McCord, Jr., Louisville, Ky.**
 [73] **Assignee: Vermont American Corporation, Louisville, Ky.**
 [**] **Term: 14 Years**
 [21] **Appl. No.: 249,433**
 [22] **Filed: Sep. 26, 1988**
 [52] **U.S. Cl. D8/70**
 [58] **Field of Search D8/70, 71; 81/176.15, 81/177.7, 177.8, 177.9, 121.1, 57.21, 57.22, 73, 90.1, 15.9, 125, 124**

3,151,512 10/1964 Charzenko .
 4,357,845 11/1982 Cornia .
 4,446,763 5/1984 Blough et al. 81/176.1
 4,602,532 7/1986 Unger 81/177.8
 4,689,881 9/1987 Fall .
 4,724,731 2/1988 Onofrio 81/124.2
 4,823,650 4/1989 Tuttle 81/124.2
 4,836,065 6/1989 Setliff 81/124.2
 4,967,614 11/1990 Van Horssen 81/176.15
 4,984,489 1/1991 Krauihamer 81/121.1

Primary Examiner—Nelson C. Holtje
Assistant Examiner—J. H. Musgrove
Attorney, Agent, or Firm—Middleton & Reutlinger

[57] **CLAIM**

The ornamental design for a V-shaped cup hook driver, as shown and described.

DESCRIPTION

FIG. 1 is a perspective view of a V-shaped cup hook driver showing my new design;
 FIG. 2 is a front elevational view the opposite side being a mirror image;
 FIG. 3 is a bottom plan view;
 FIG. 4 is a left side elevational view;
 FIG. 5 is a right side elevational view; and
 FIG. 6 is a cross sectional view as taken from line 6—6 of FIG. 5.

[56] **References Cited**

U.S. PATENT DOCUMENTS

817,090 4/1906 Pfeiffer .
 841,472 1/1907 Vanderherchen .
 985,087 2/1911 Wilson .
 1,504,148 8/1924 Rudolph .
 1,611,154 12/1926 Bertrand .
 2,231,323 2/1941 Cawood .
 2,599,668 6/1952 Taylor 81/124.2
 3,010,346 11/1961 Kulp 81/124.2
 3,086,414 4/1963 Nardi .

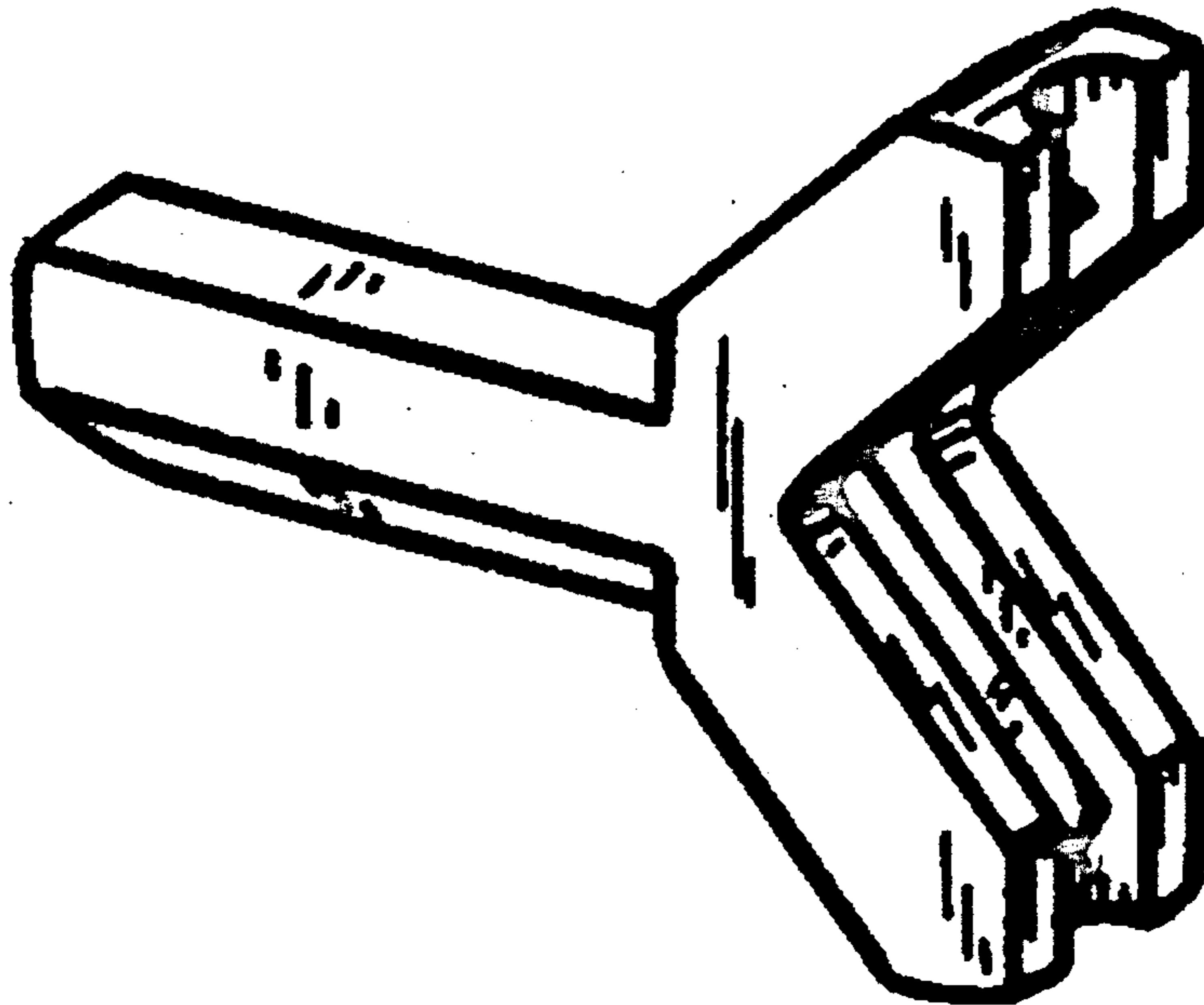




FIG. 3



FIG. 4

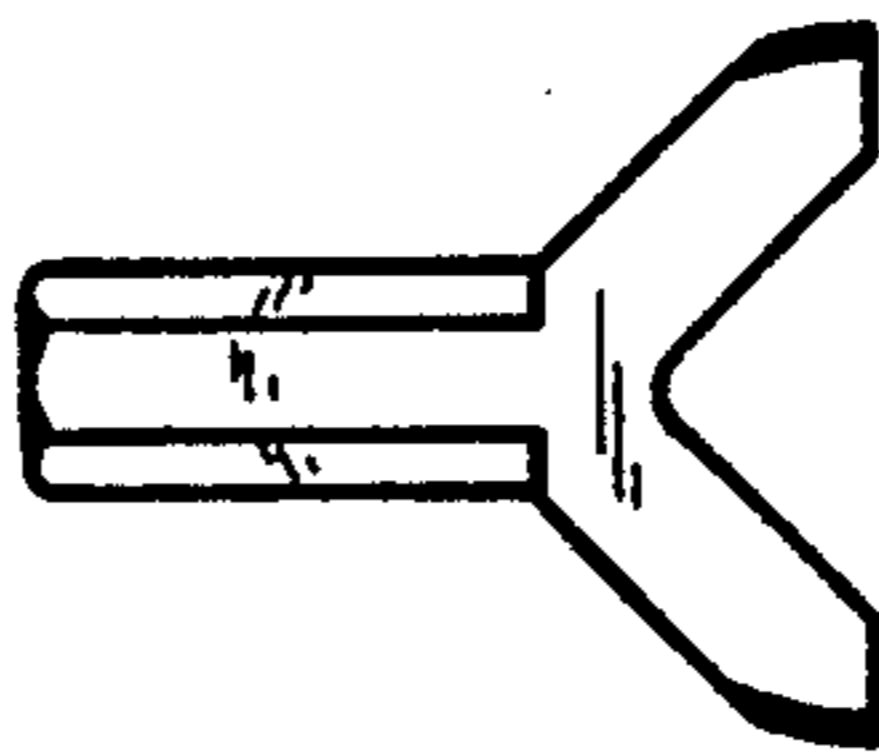


FIG. 2



FIG. 5

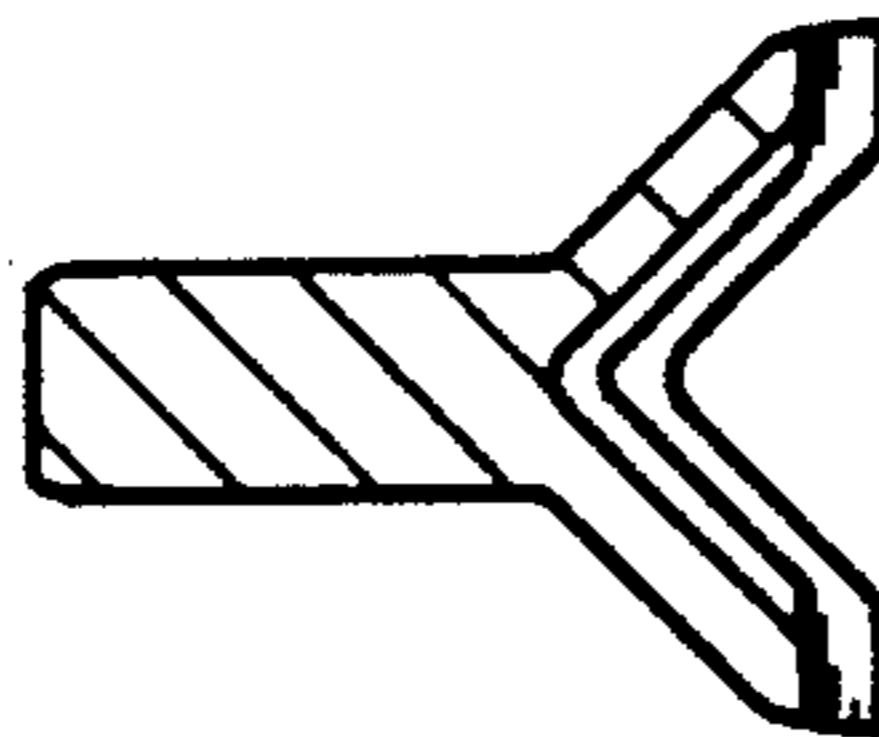


FIG. 6

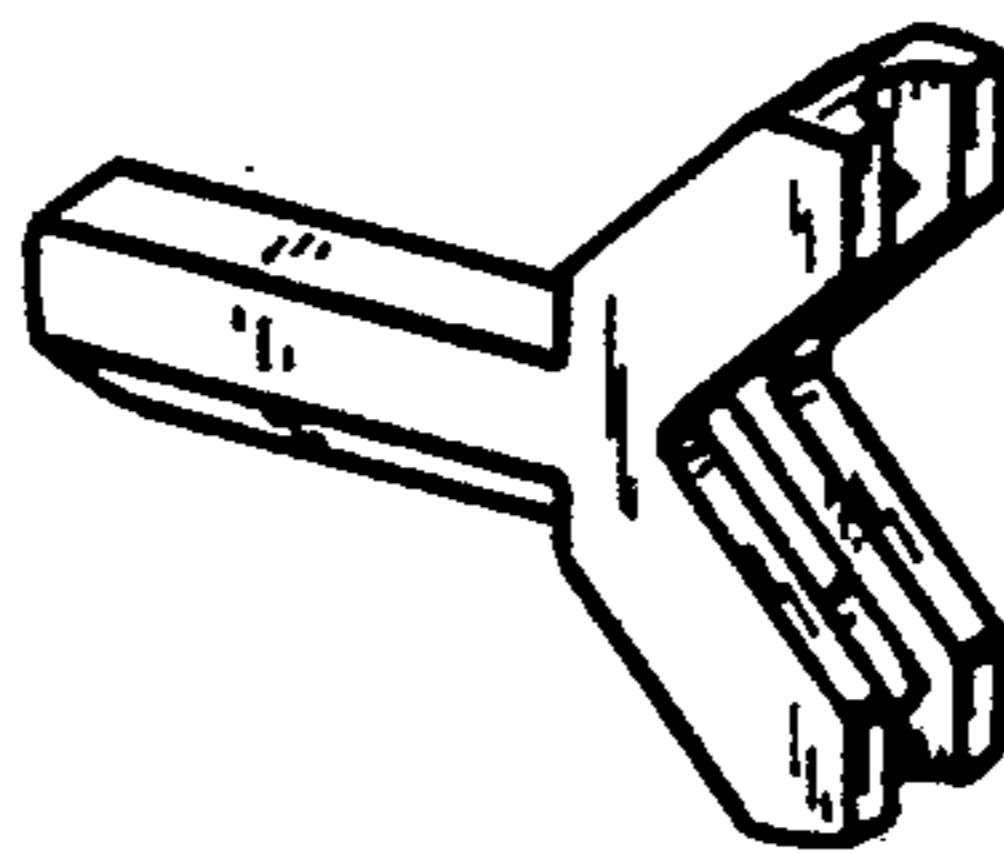


FIG. 1