

United States Patent [19]

Reiferscheid

[11] Patent Number: **Des. 319,763**

[45] Date of Patent: **** Sep. 10, 1991**

[54] **POWER DRILL**

[75] Inventor: **Ulrich Reiferscheid, Ravensburg,
Fed. Rep. of Germany**

[73] Assignee: **Black & Decker Inc., Newark, Del.**

[**] Term: **14 Years**

[21] Appl. No.: **312,964**

[22] Filed: **Feb. 21, 1989**

[30] **Foreign Application Priority Data**

Aug. 31, 1988 [GB] United Kingdom 1053303

[52] U.S. Cl. **D8/68**

[58] Field of Search D8/68, 61, 62; 81/54,
81/57.11, 57.13, 57.14, 429; 173/163, 170;
408/124, 125, 127

[56] **References Cited**

U.S. PATENT DOCUMENTS

D. 280,797 10/1985 Sakamoto D8/61

D. 280,883 10/1985 Sakamoto D8/61
D. 314,698 2/1991 Zurwelle D8/68
4,493,223 1/1985 Kishi 173/163
4,592,430 6/1986 Hall et al. 173/163

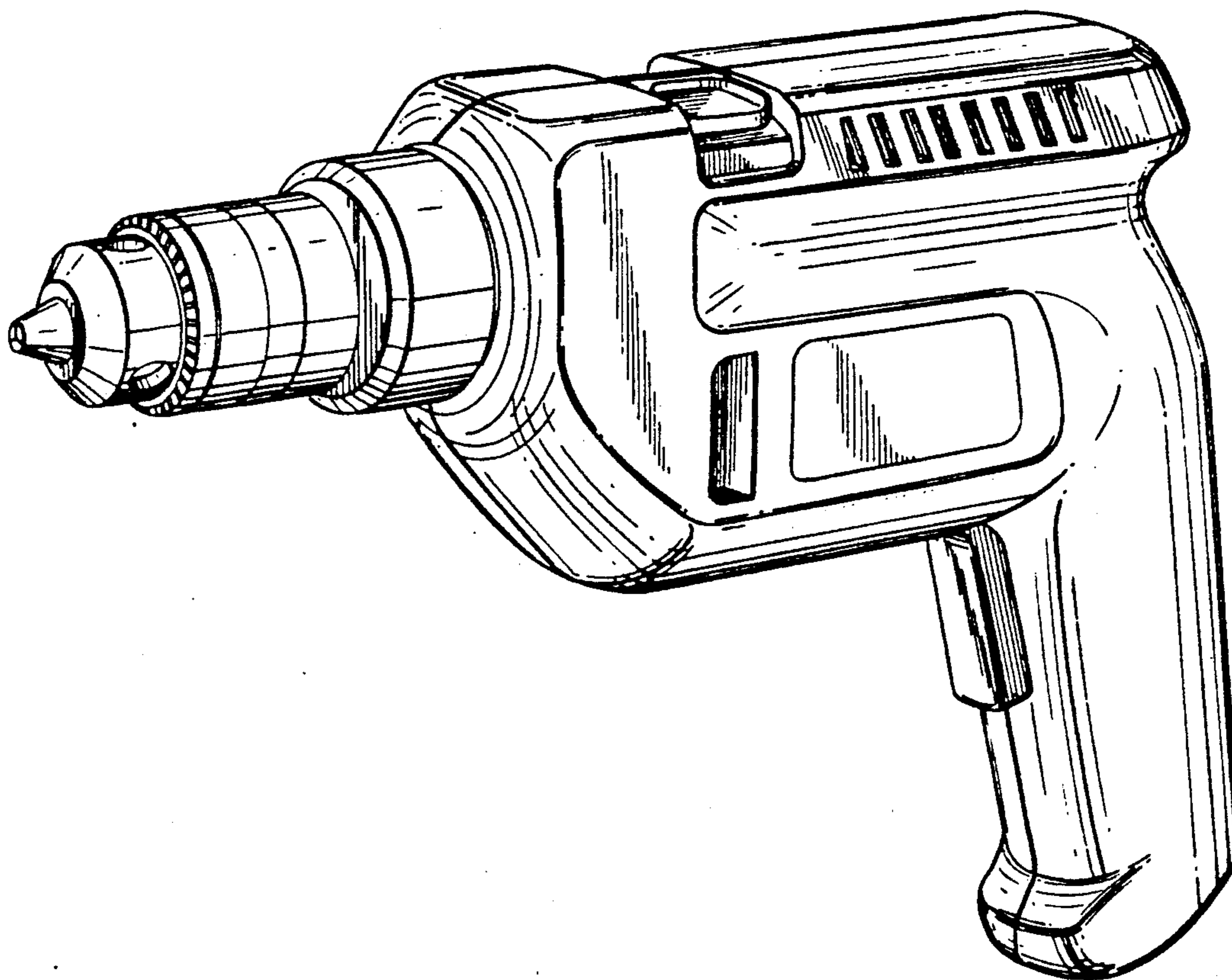
Primary Examiner—Nelson C. Holtje
Assistant Examiner—J. H. Musgrove
Attorney, Agent, or Firm—Dennis A. Dearing; Charles
E. Yocum; Edward D. C. Bartlett

[57] **CLAIM**

The ornamental design for a power drill, as shown and described.

DESCRIPTION

FIG. 1 is a front top-right perspective view of a power drill showing my new design;
FIG. 2 is a left side elevational view;
FIG. 3 is a top plan view;
FIG. 4 is a front elevational view;
FIG. 5 is a rear elevational view; and
FIG. 6 is a bottom plan view thereof.



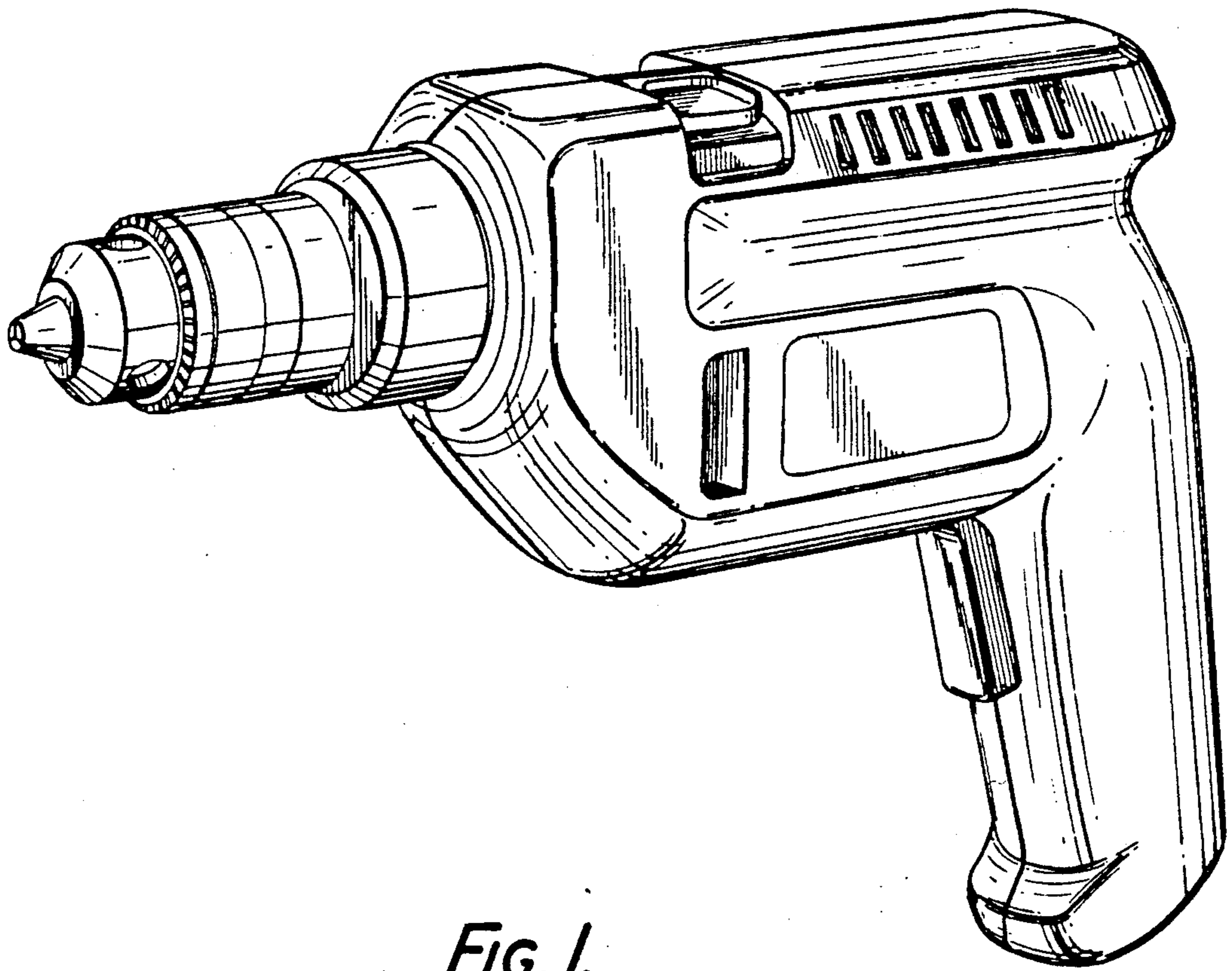


FIG. 1.

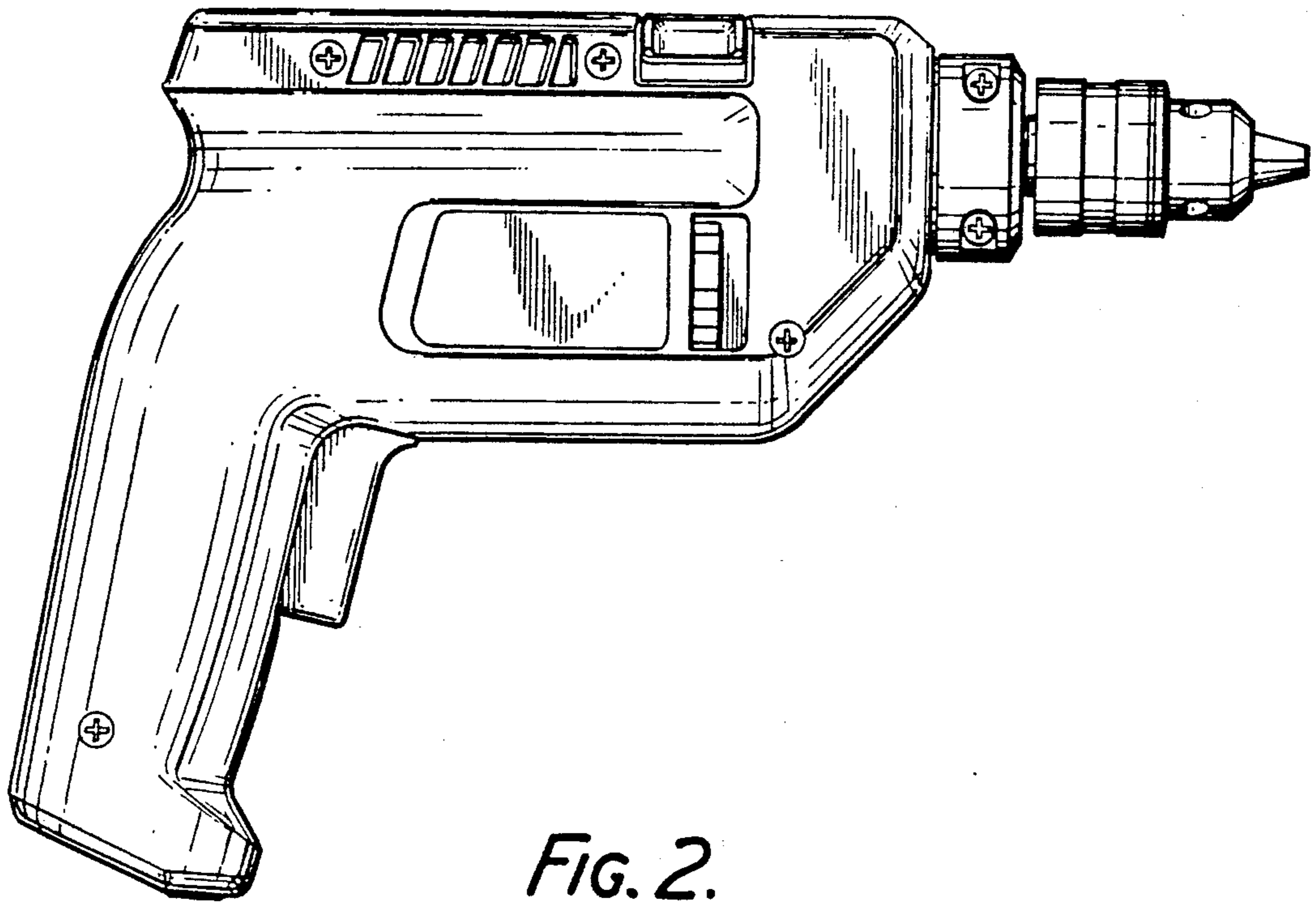


FIG. 2.

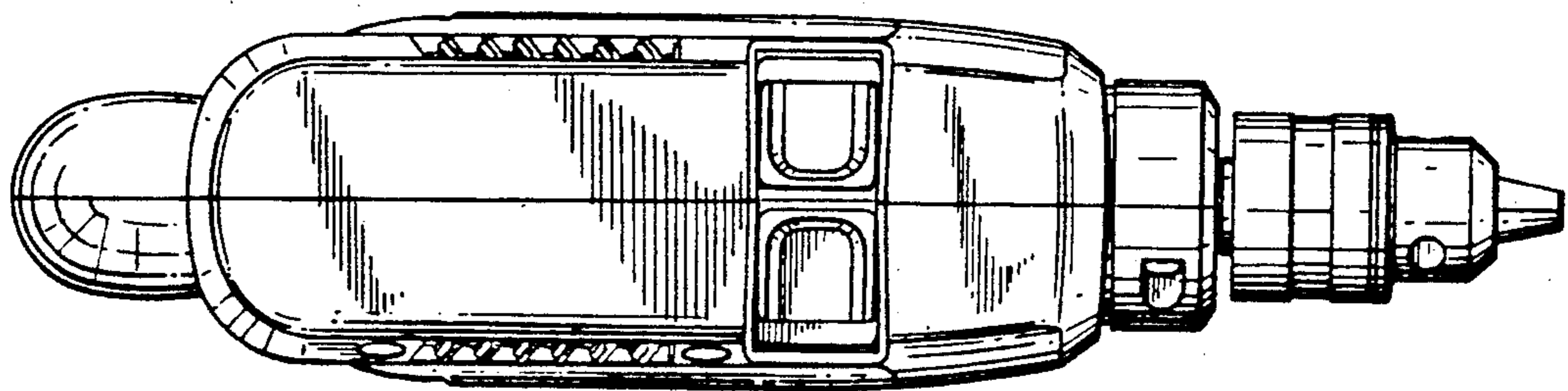


FIG. 3.

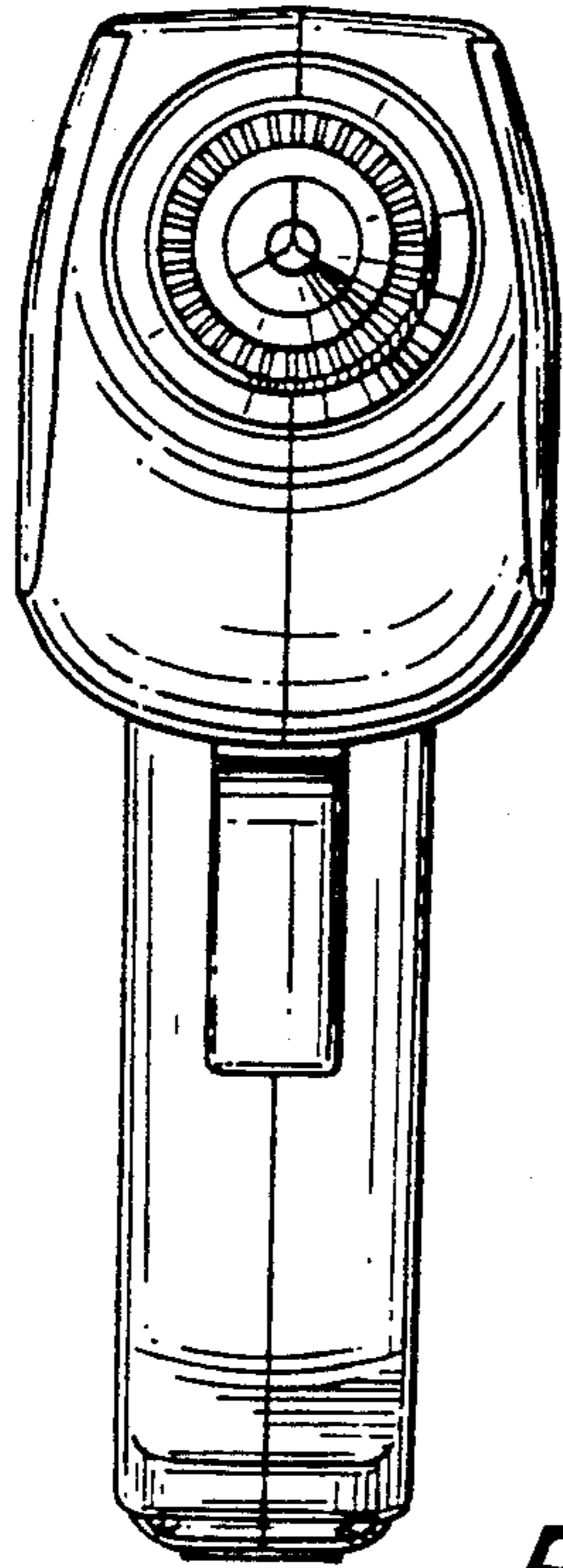


FIG. 4.

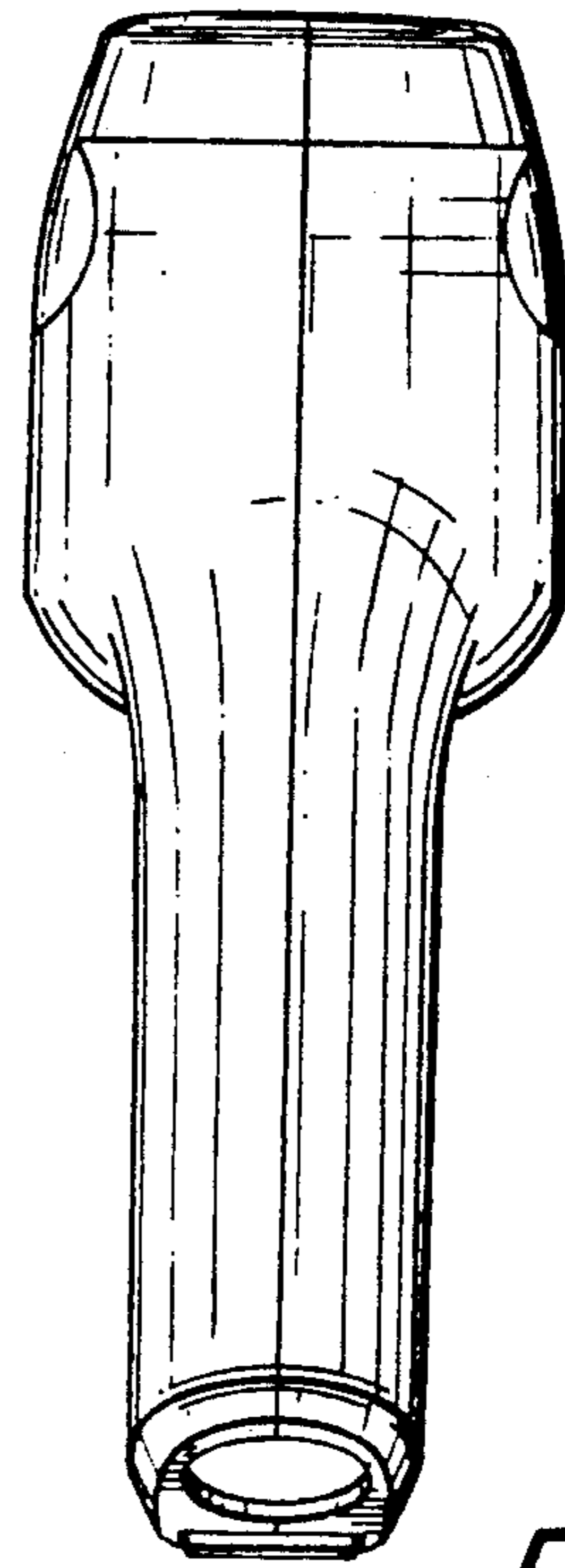


FIG. 5.

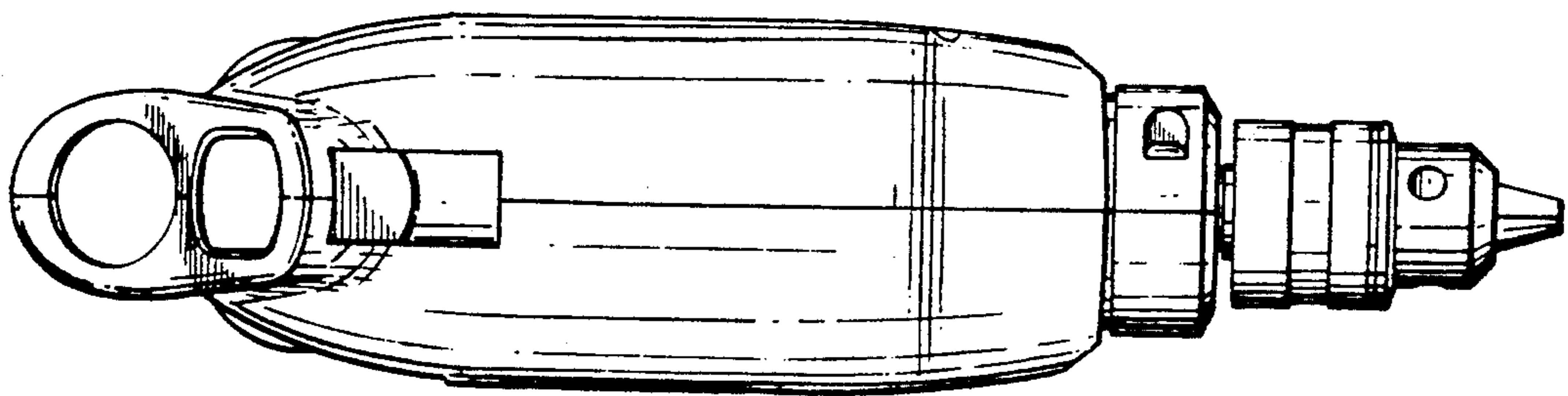


FIG. 6.