

[54] STAPLER

[76] Inventor: William H. Chi, No. 17, Lane 29, Ta Te St., Taichung City, Taiwan

[**] Term: 14 Years

[21] Appl. No.: 448,456

[22] Filed: Dec. 11, 1989

[52] U.S. Cl. D8/49

[58] Field of Search D8/49, 50; 227/107, 227/110, 120, 126-128, 132

[56] References Cited

U.S. PATENT DOCUMENTS

- D. 280,069 8/1985 Hillinger D8/49
- D. 285,164 8/1986 Jacoff D8/49
- D. 289,366 4/1987 Speiger D8/49

D. 291,275 8/1987 Chang D8/49

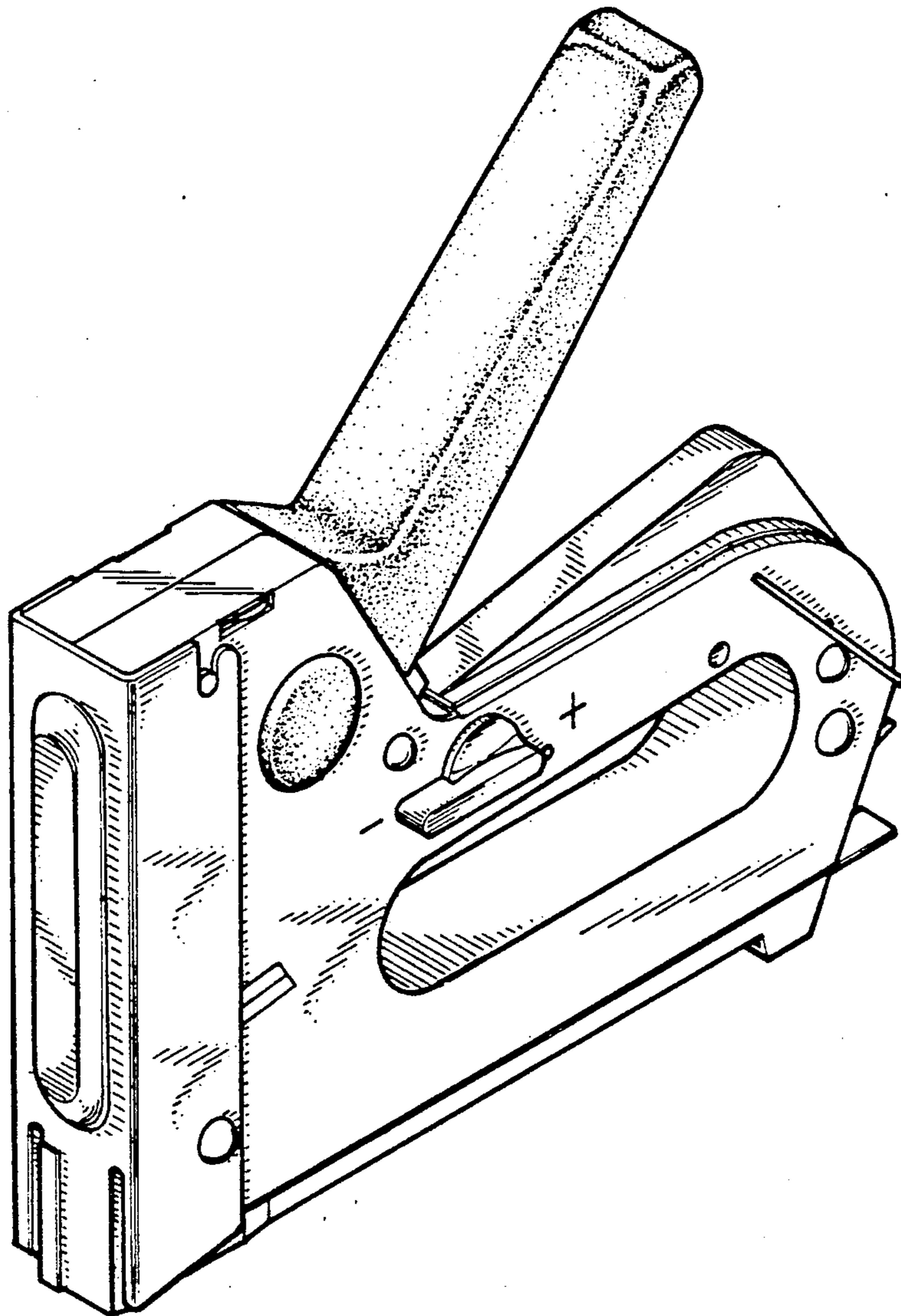
Primary Examiner—Terry A. Pfeffer
Attorney, Agent, or Firm—Browdy and Neimark

[57] CLAIM

The ornamental design for a stapler, as shown and described.

DESCRIPTION

FIG. 1 is a perspective view of the stapler showing my design;
FIG. 2 is a front elevational view thereof;
FIG. 3 is a rear elevational view thereof;
FIG. 4 is a left side elevational view thereof;
FIG. 5 is a right side elevational view thereof;
FIG. 6 is a top plan view thereof; and
FIG. 7 is a bottom plan view thereof.



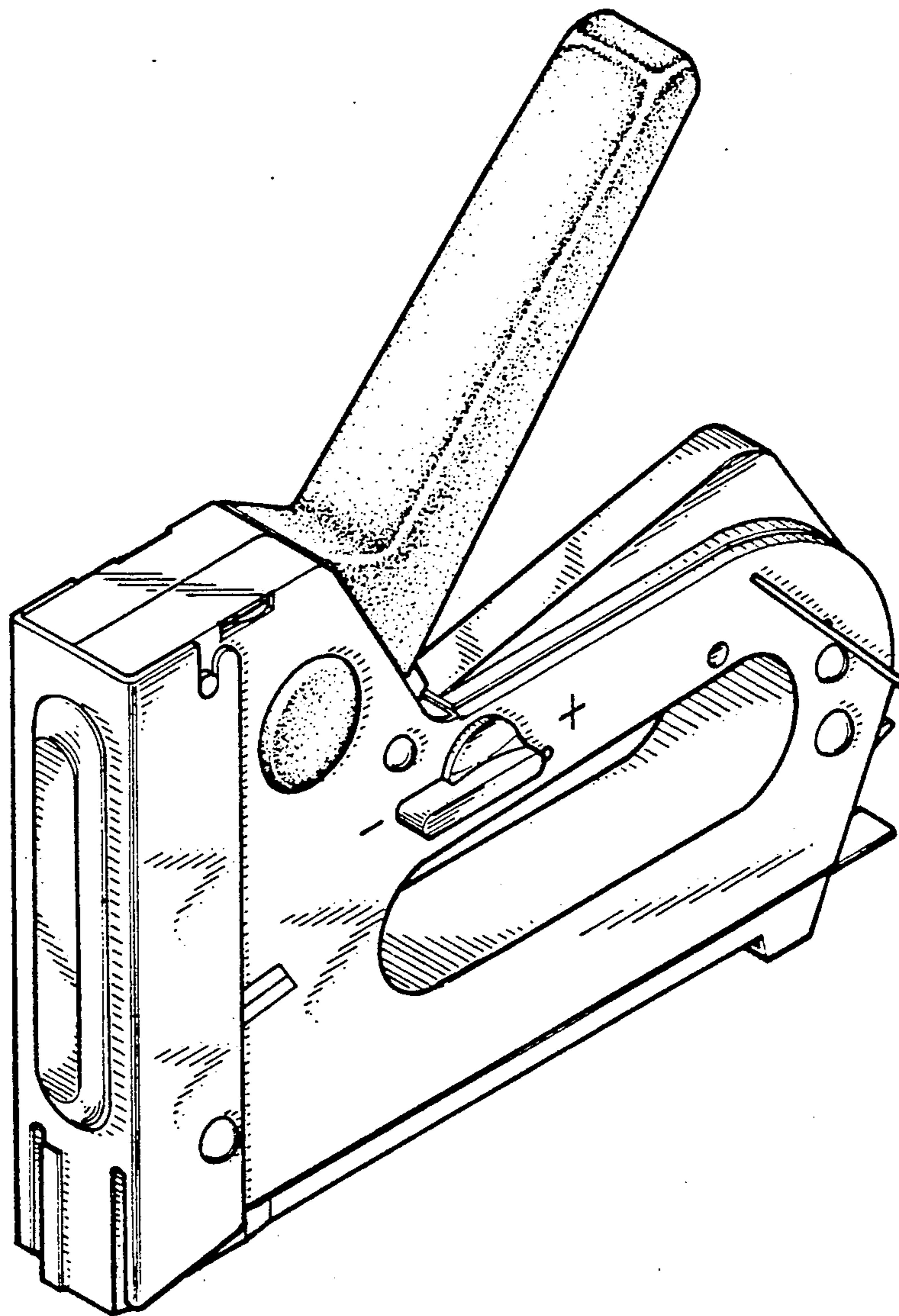


FIG. 1

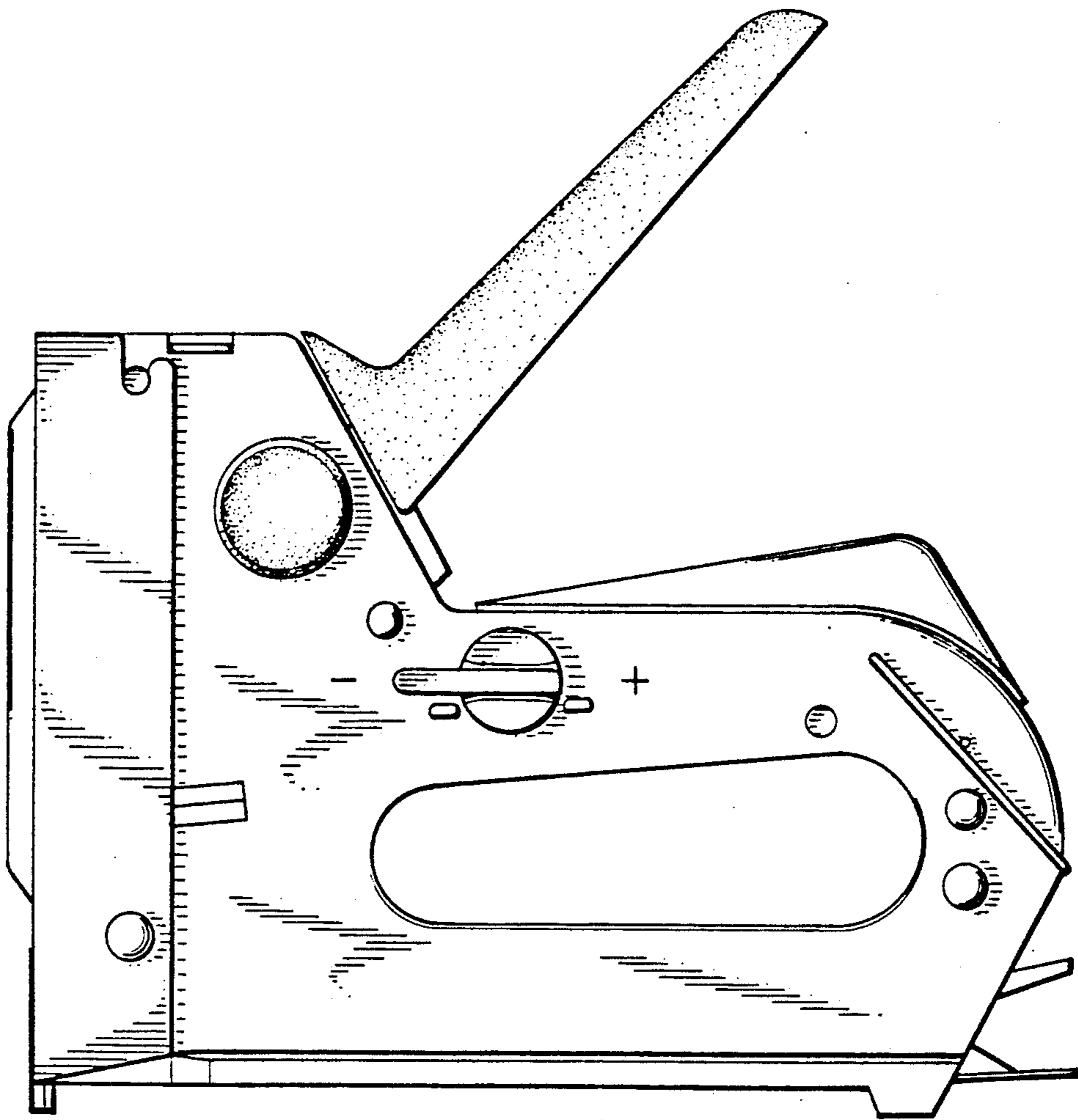


FIG. 2

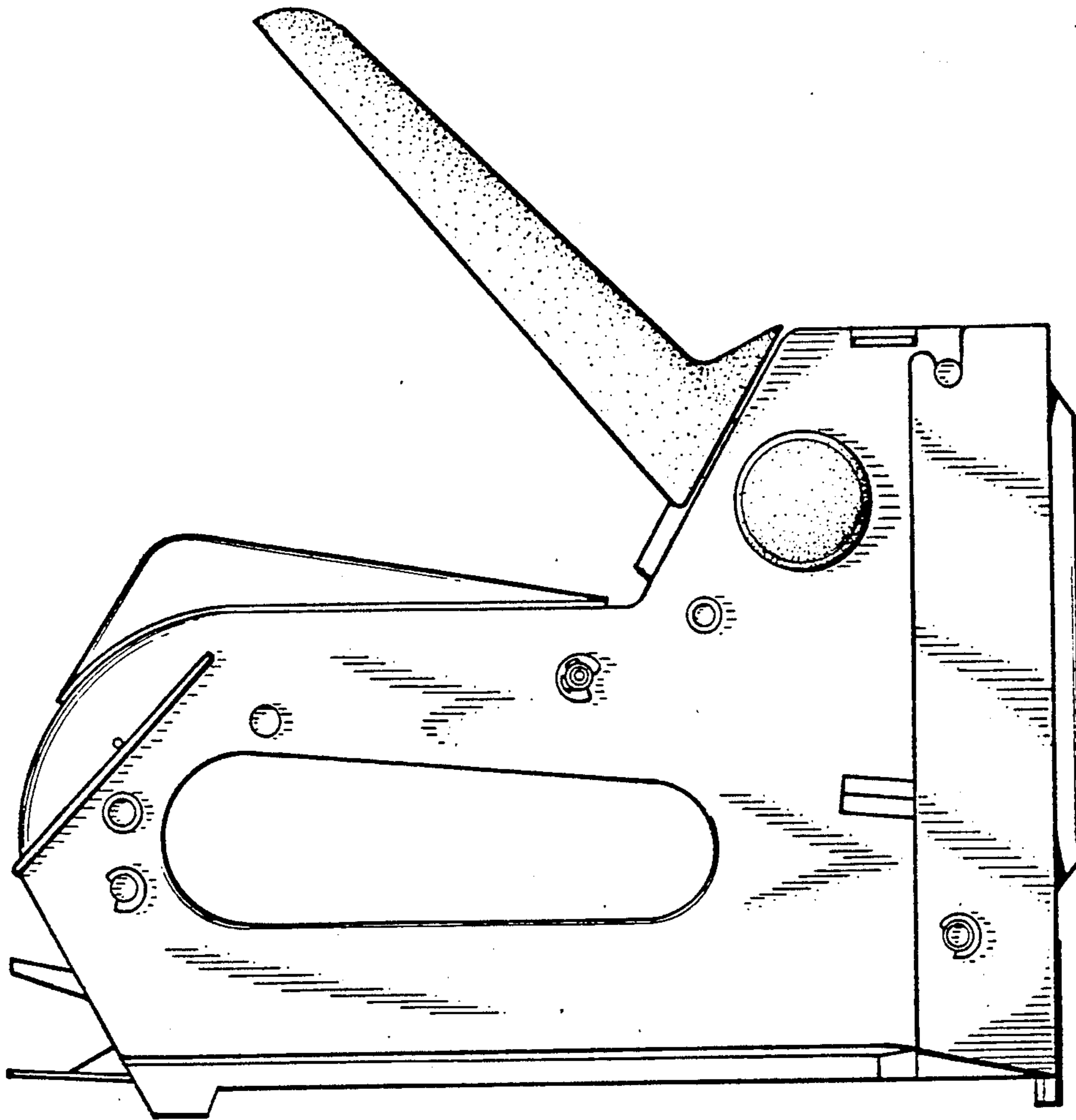


FIG. 3

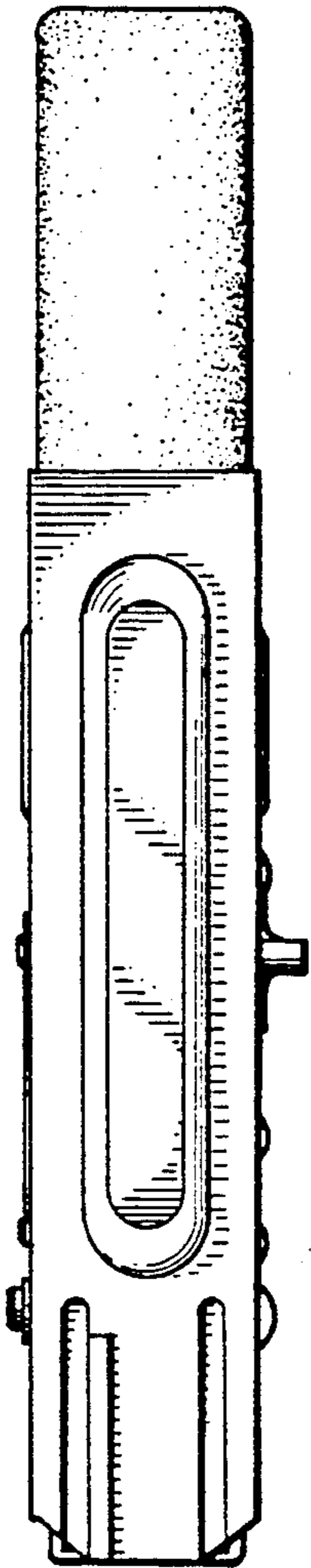


FIG. 4

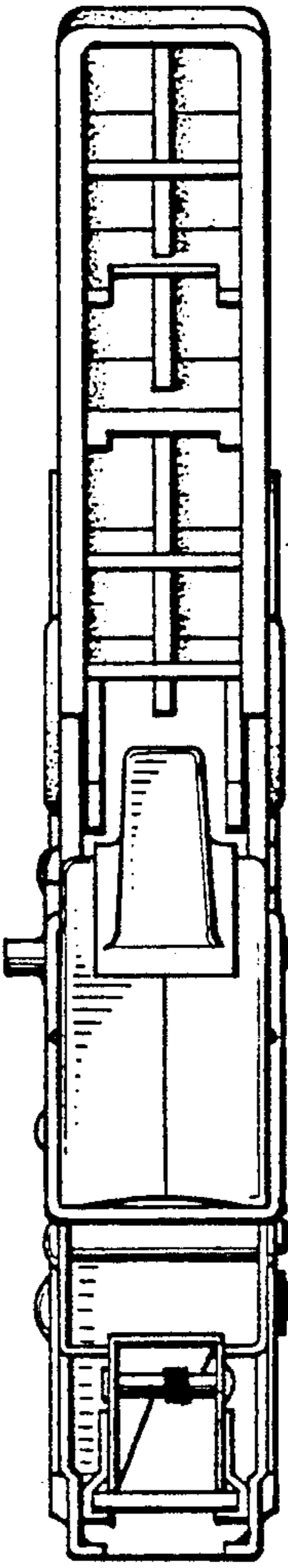


FIG. 5

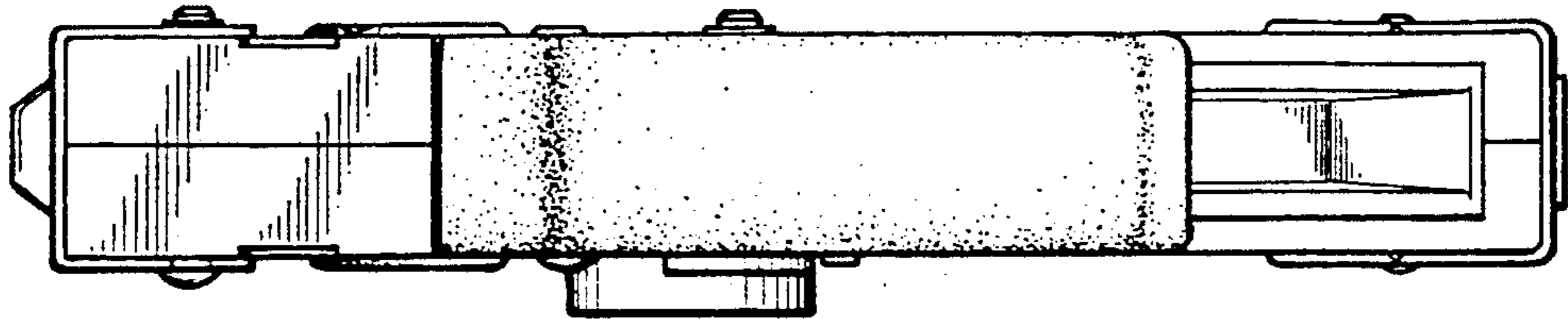


FIG. 6

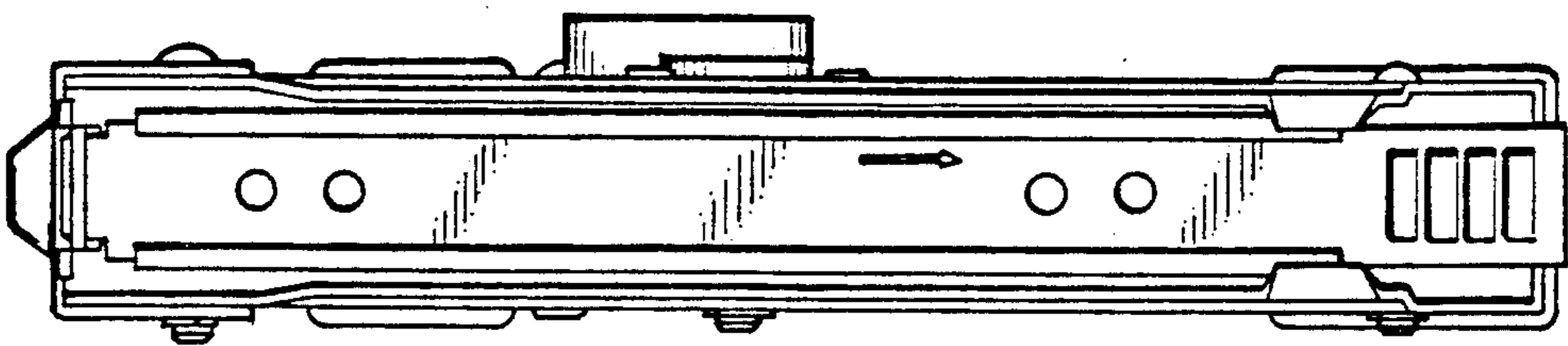


FIG. 7