

United States Patent [19]
Hames

[11] Patent Number: **Des. 319,758**
[45] Date of Patent: **** Sep. 10, 1991**

[54] **TOOL FOR OPENING A COMPUTER**

[75] Inventor: **Edward L. Hames, Peterborough, N.H.**

[73] Assignee: **Curtis Manufacturing Company, Inc., Jaffrey, N.H.**

[**] Term: **14 Years**

[21] Appl. No.: **258,322**

[22] Filed: **Oct. 14, 1988**

[52] U.S. Cl. **D8/14**

[58] Field of Search **D8/14, 21, 28, 40, 45, D8/47, 89, 98; 81/124.2, 64; 7/100, 693; 254/131**

[56] **References Cited**

U.S. PATENT DOCUMENTS

| | | | | |
|------------|--------|-----------|-------|---------|
| D. 57,847 | 5/1921 | Mallett | | D8/28 |
| D. 239,430 | 4/1976 | Niconchuk | | D8/14 X |
| D. 248,615 | 7/1978 | Grabovac | | D8/14 |
| D. 256,442 | 8/1980 | Martin | | D8/89 X |
| D. 268,892 | 5/1983 | Downing | | D8/14 |

| | | | | |
|-----------|---------|---------|-------|------------|
| 3,769,862 | 11/1973 | Miller | | 81/124.2 X |
| 4,691,599 | 9/1987 | Schultz | | 7/100 X |

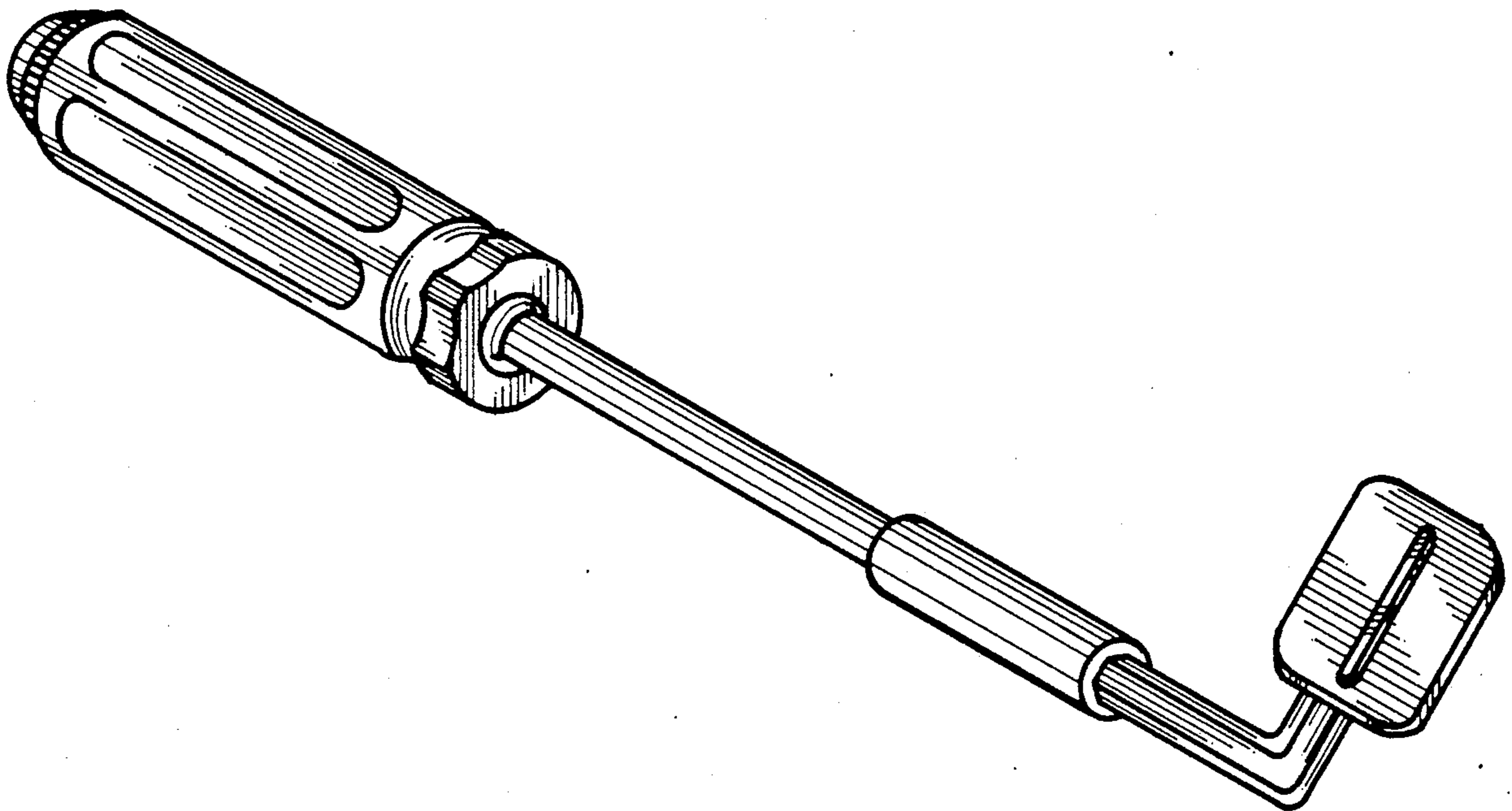
Primary Examiner—Bruce W. Dunkins
Assistant Examiner—Monica Hannon
Attorney, Agent, or Firm—Richard P. Crowley

[57] **CLAIM**

The ornamental design for a tool for opening a computer, as shown and described.

DESCRIPTION

FIG. 1 is a perspective view of a tool for opening a computer showing my new design;
FIG. 2 is a side plan view of the personal computer opening case tool of FIG. 1;
FIG. 3 is a top plan view of the personal computer opening case tool of FIG. 1;
FIG. 4 is a bottom plan view of the personal computer opening case tool of FIG. 1;
FIG. 5 is a back plan view of the personal computer opening case tool of FIG. 1; and
FIG. 6 is a front plan view of the personal computer opening case tool of FIG. 1.



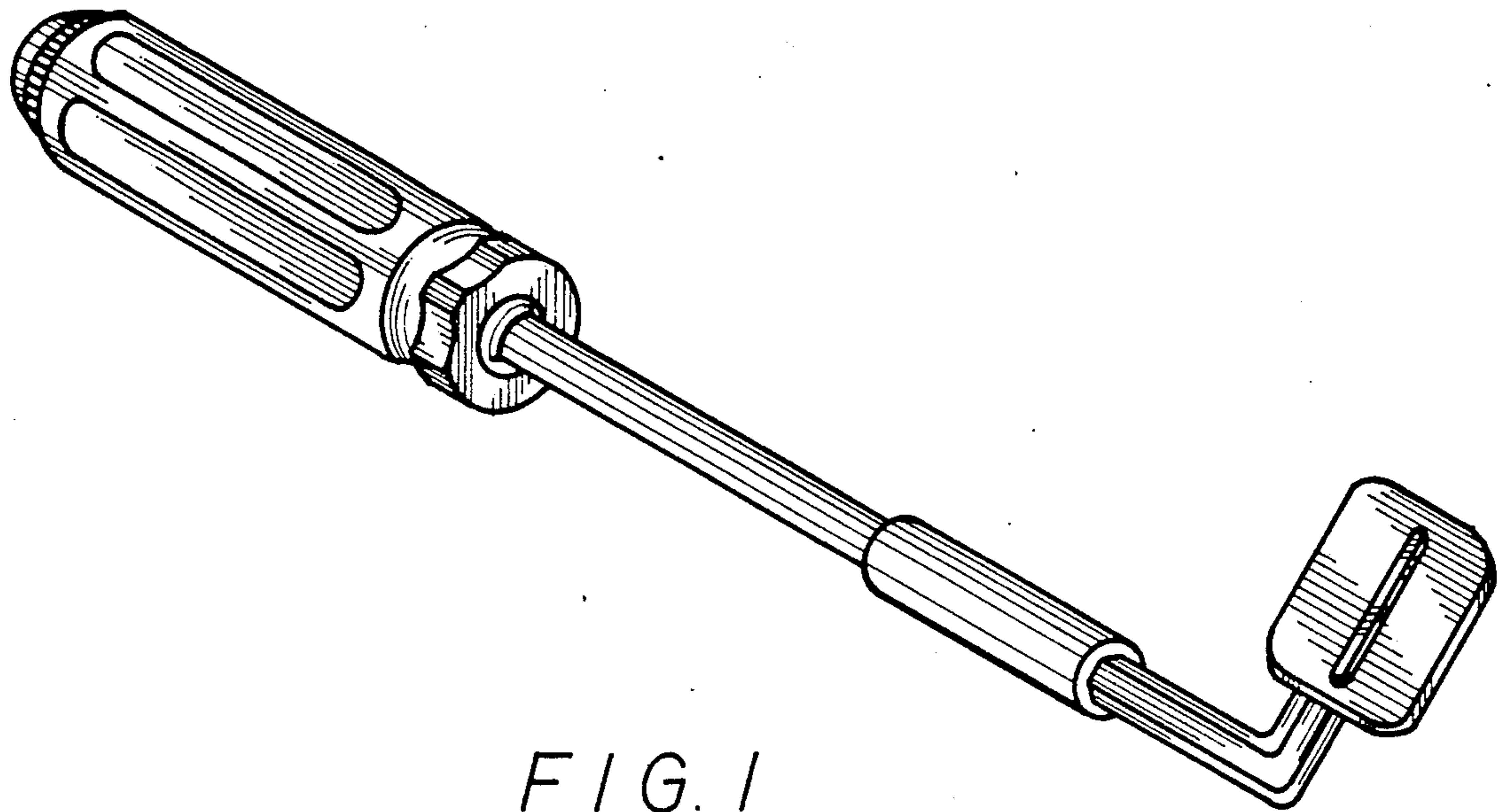


FIG. 1

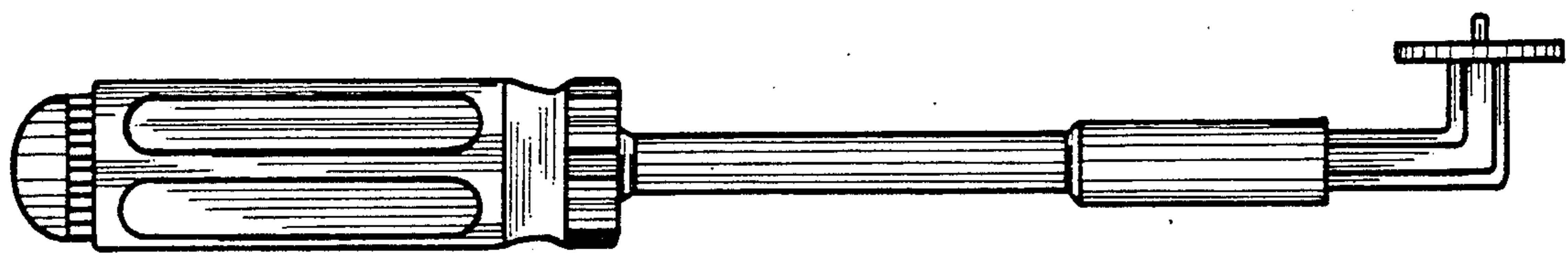


FIG. 2

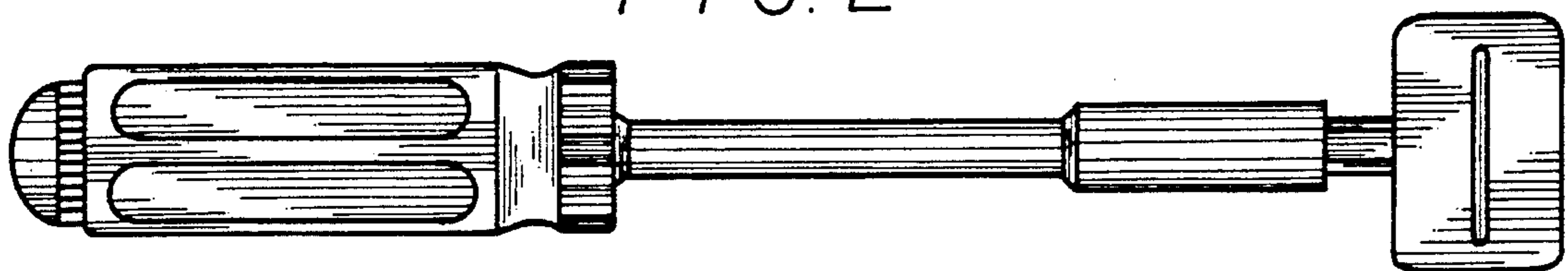


FIG. 3

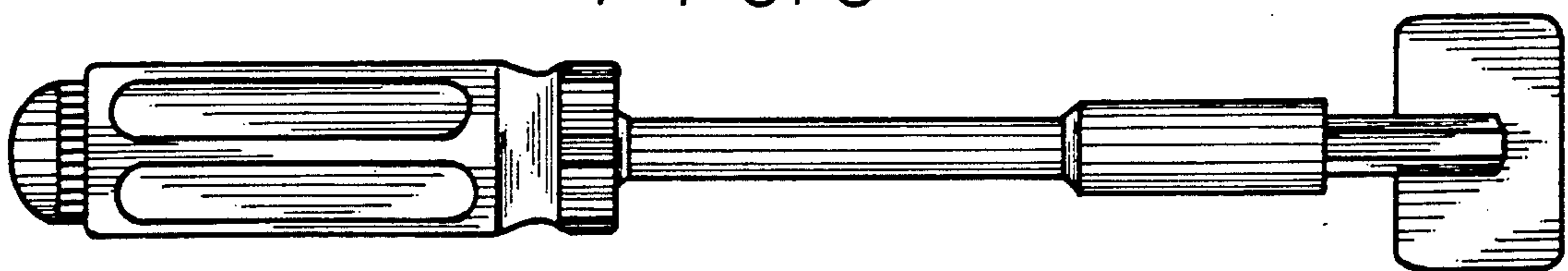


FIG. 4

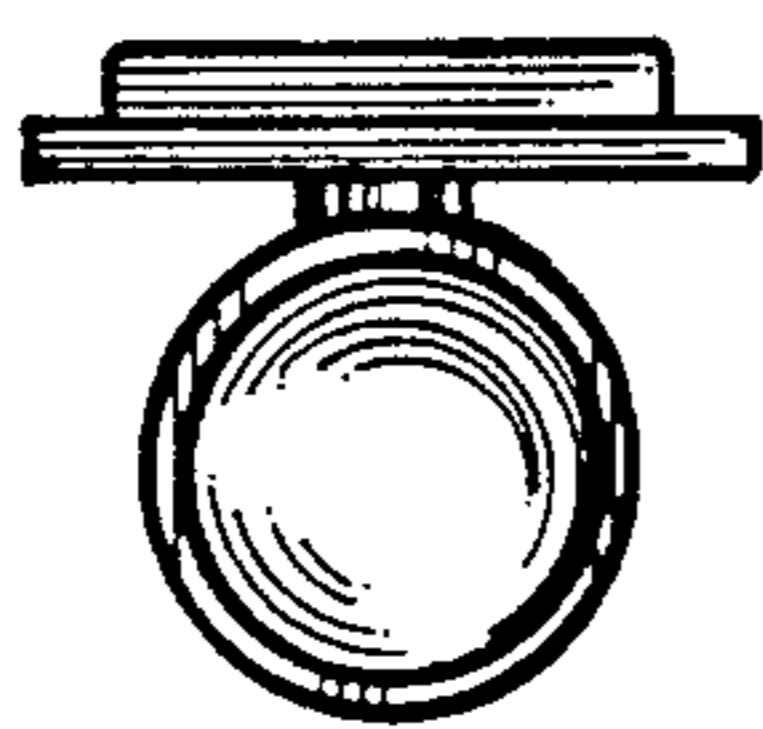


FIG. 5

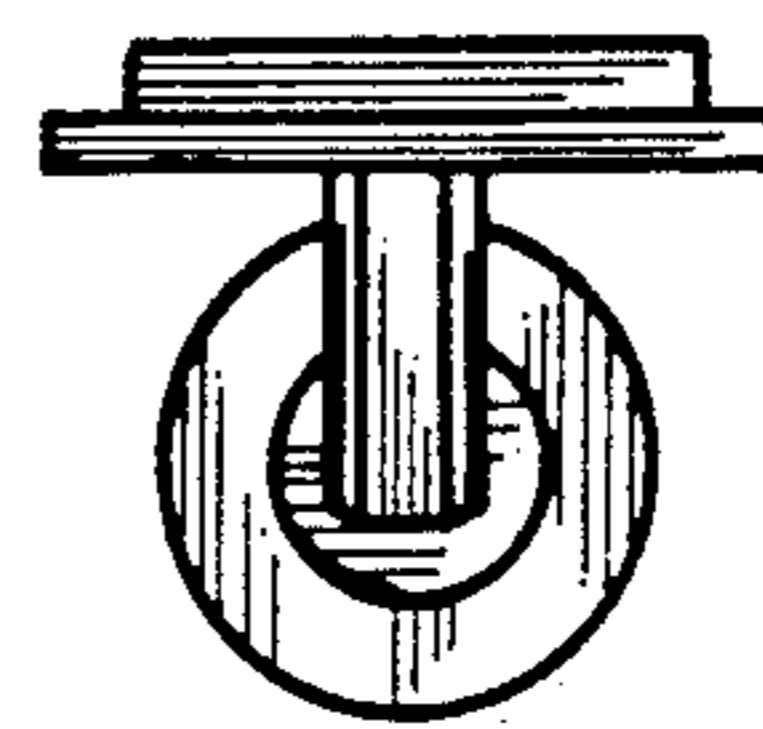


FIG. 6