

[54] BEVERAGE MUG

[76] Inventor: David W. Guy, 1008 S. First St.,
Pinckneyville, Ill. 62274

[**] Term: 14 Years

[21] Appl. No.: 311,580

[22] Filed: Feb. 16, 1989

[52] U.S. Cl. D7/536; D7/315;
D7/319

[58] Field of Search D7/622, 509-514,
D7/519-521, 533-536, 315, 319

[56] References Cited

U.S. PATENT DOCUMENTS

D. 12,422	8/1881	Brundige	D7/319 X
D. 82,209	9/1930	Smith et al.	D7/319
D. 101,207	9/1936	Boyce	D7/315
D. 204,781	5/1966	Wanderer	D7/523

D. 204,782	5/1966	Wanderer	D7/523
D. 215,328	9/1969	Fera	D7/622
D. 253,872	1/1980	Reynolds	D9/428
D. 261,847	11/1981	Yamamoto	D7/534
4,263,734	4/1981	Bradshaw	D7/520 X

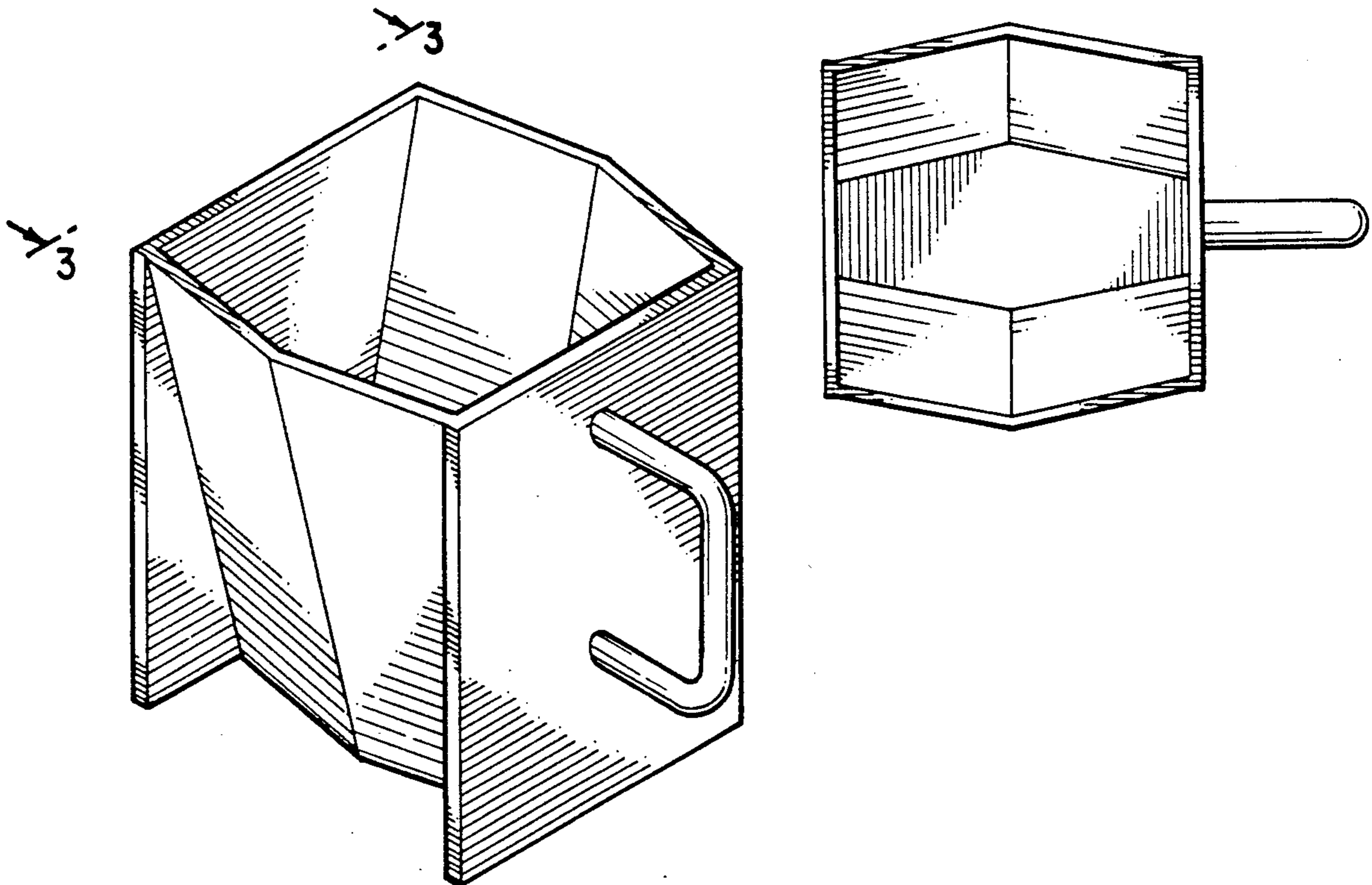
Primary Examiner—Winifred E. Herrmann
Attorney, Agent, or Firm—Don W. Weber

[57] CLAIM

The ornamental design for a beverage mug, as shown.

DESCRIPTION

FIG. 1 is a top, front, and right side perspective view of a beverage mug showing my new design; FIG. 2 is a front elevational view thereof; FIG. 3 is a left side elevational view thereof taken along lines 3—3 of FIG. 1; FIG. 4 is a right side elevational view thereof; FIG. 5 is a top plan view thereof; and FIG. 6 is a bottom plan view thereof.



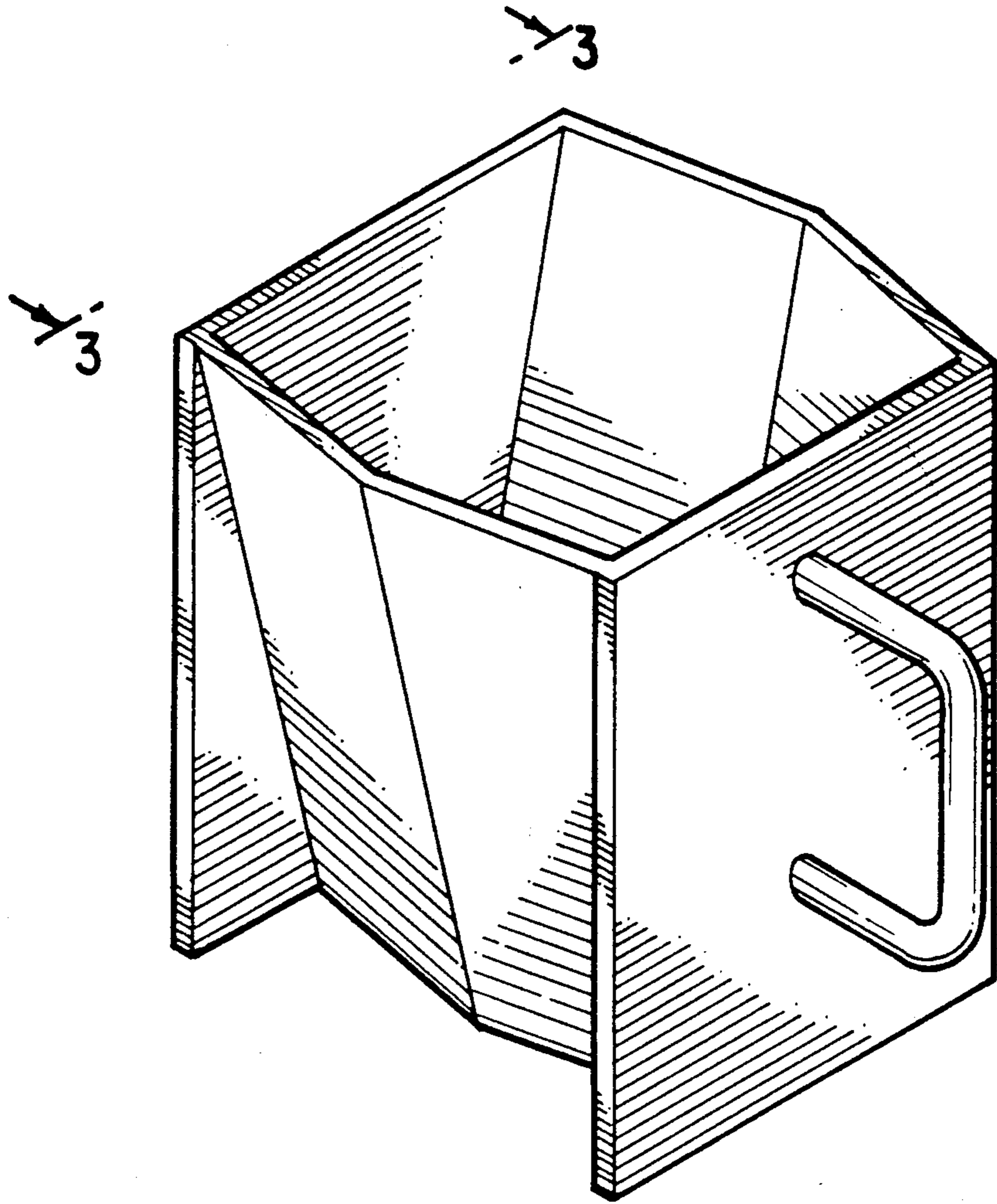


FIG. 1

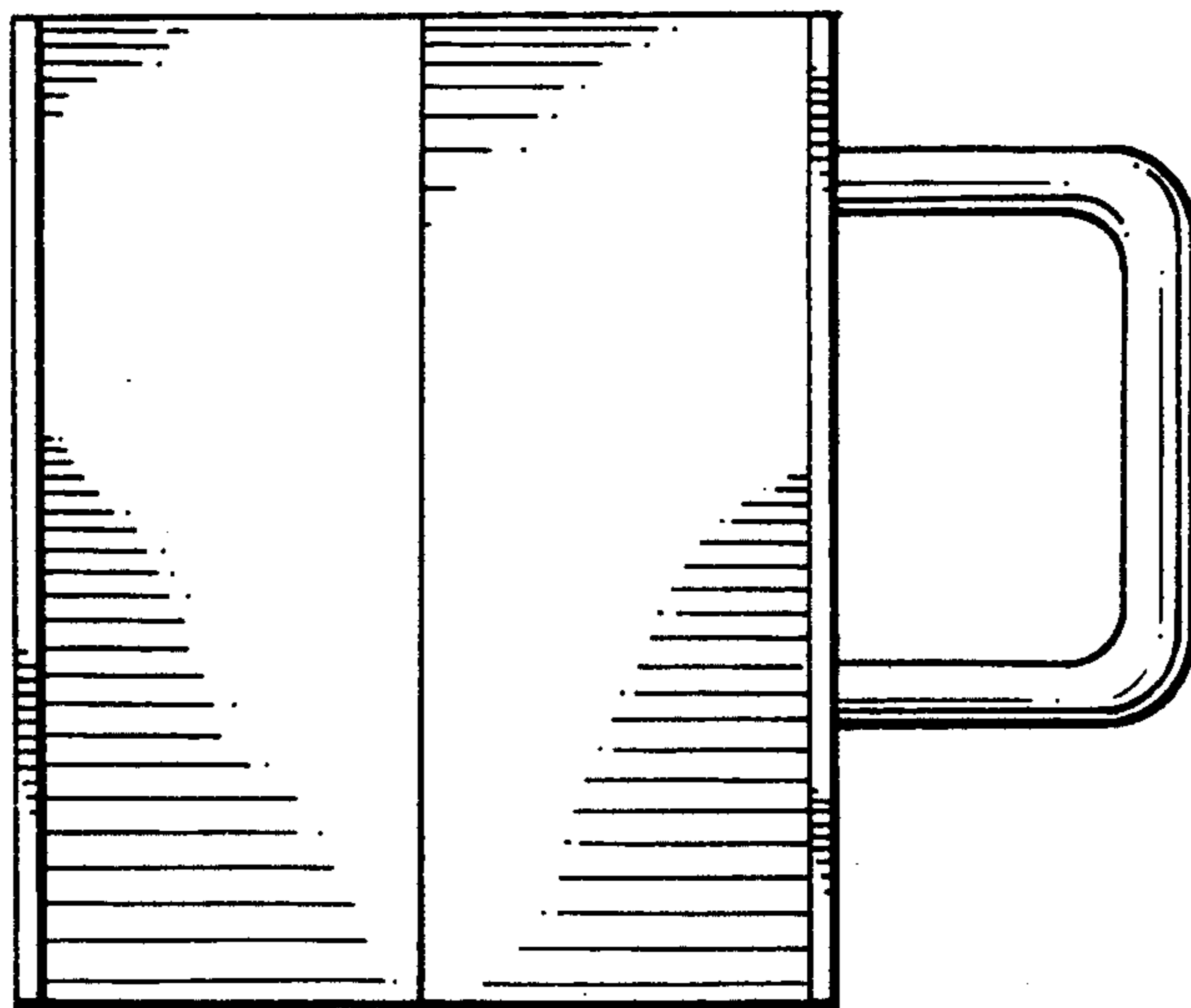


FIG. 2

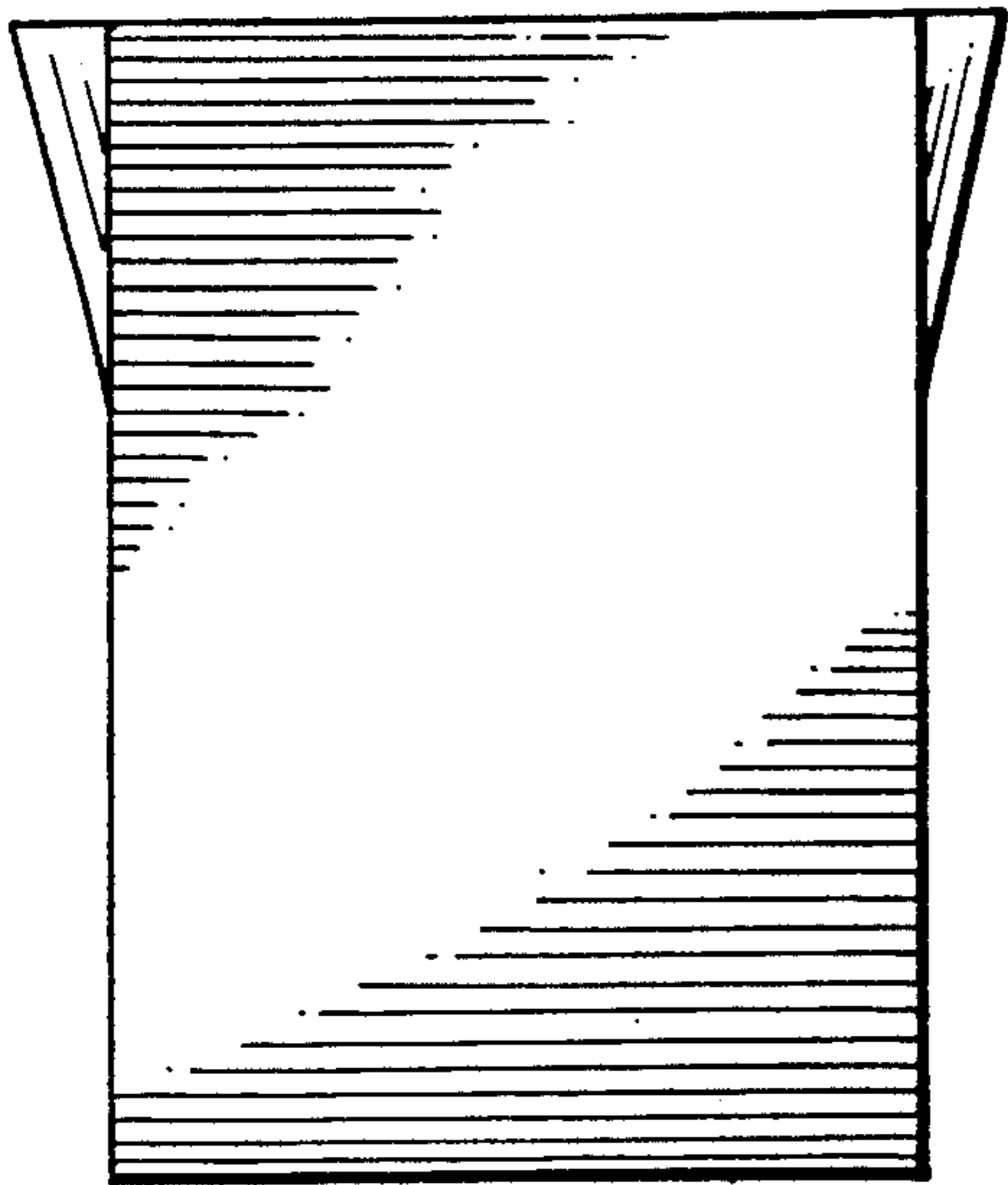


FIG. 3

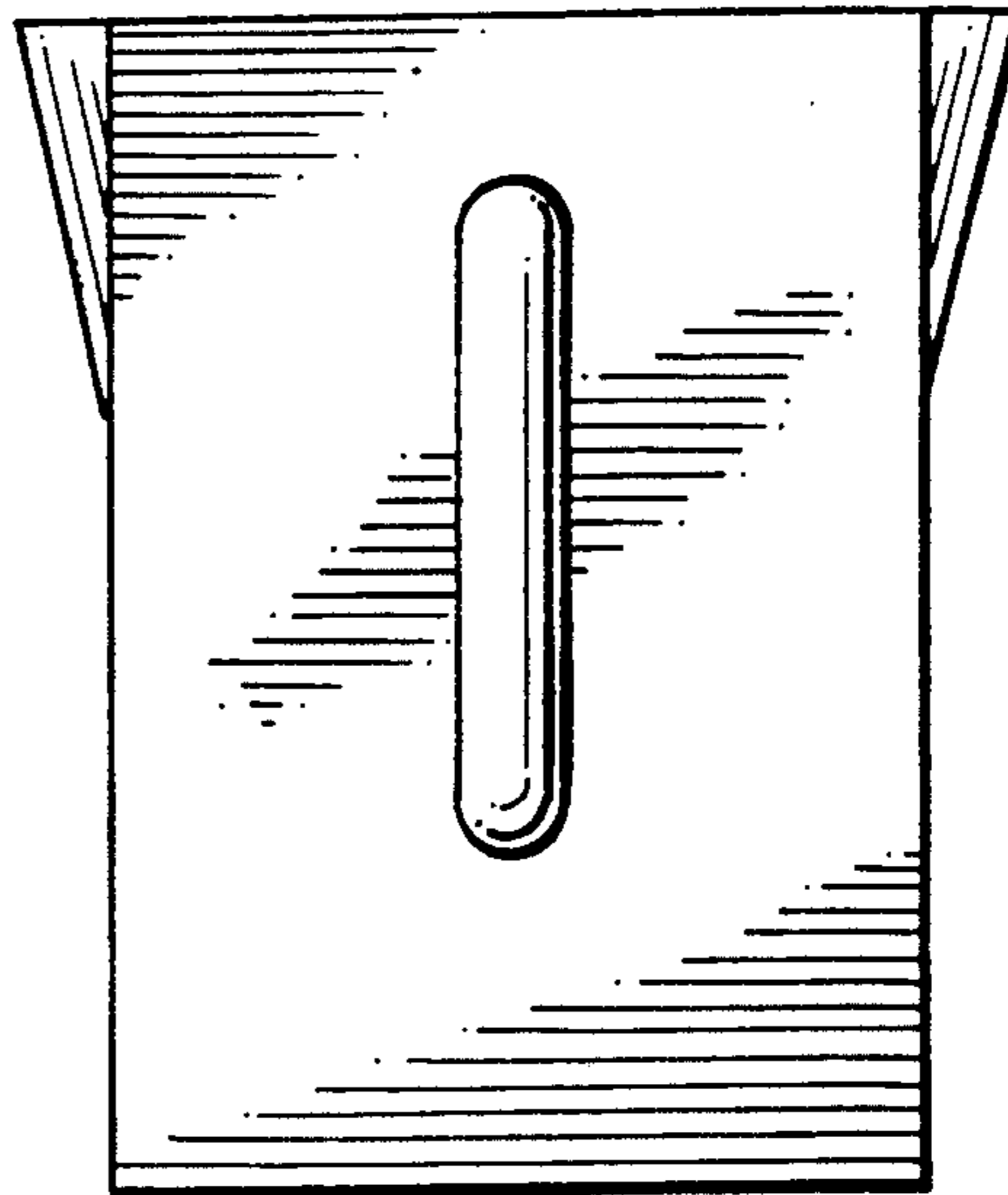


FIG. 4

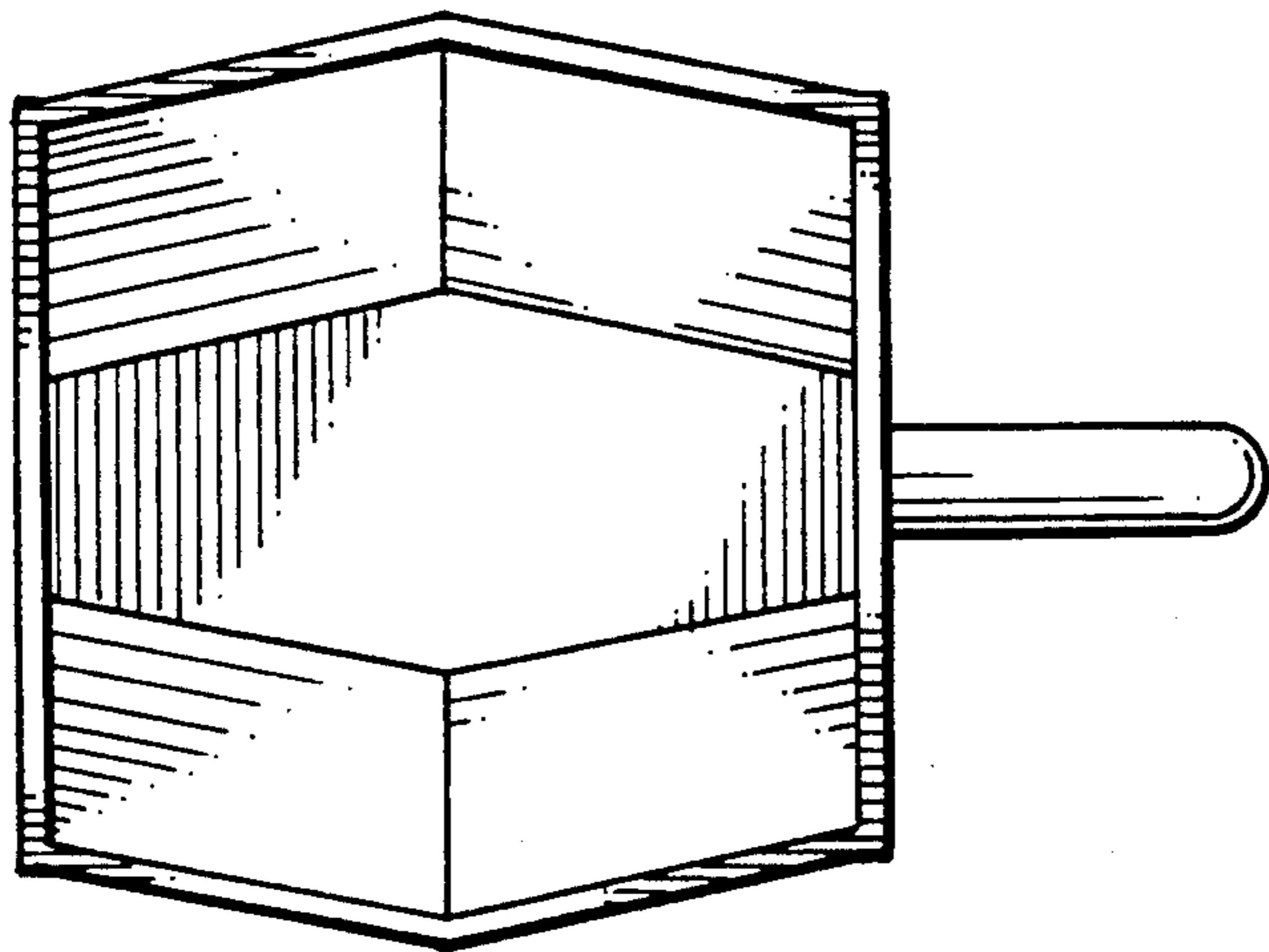


FIG. 5

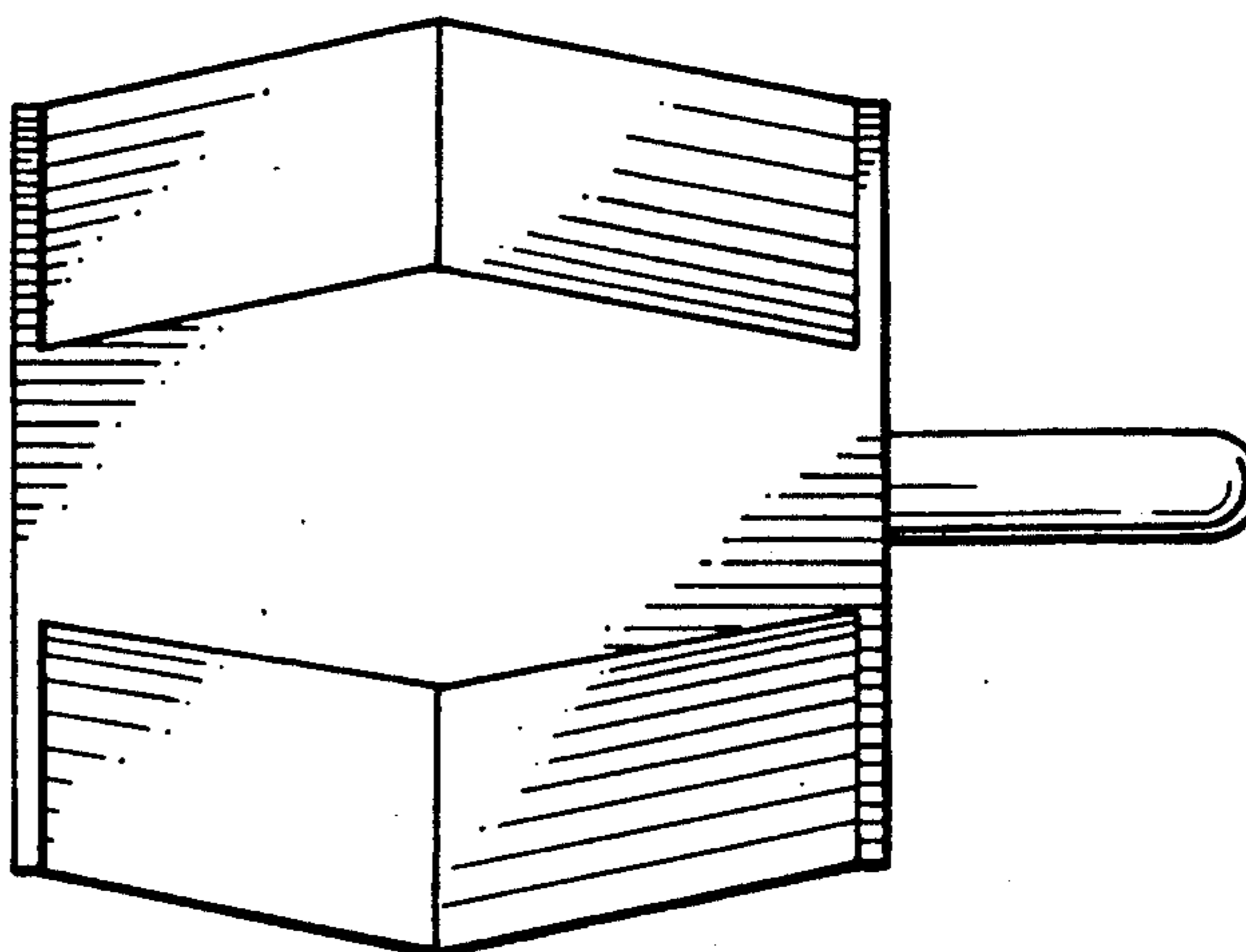


FIG. 6