

[54] FOOD MIXER

[75] Inventor: Rudolf Maass, Solingen, Fed. Rep. of Germany

[73] Assignee: Robert Krups Stiftung & Co. KG, Solingen, Fed. Rep. of Germany

[**] Term: 14 Years

[21] Appl. No.: 295,981

[22] Filed: Jan. 11, 1989

[52] U.S. Cl. D7/379; D7/412

[58] Field of Search D7/381, 383, 384, 386, D7/368, 372, 373, 376-378, 412-415, 665, 379

[56] References Cited

U.S. PATENT DOCUMENTS

D. 126,657	4/1941	Lenning	D7/379
D. 226,124	1/1973	Roberts	D7/379
D. 296,860	7/1988	Maass	D7/384
D. 296,976	8/1988	Maass	D7/384
D. 315,473	3/1991	Copland	D7/379

OTHER PUBLICATIONS

Schoner Wohnen, Jan. 1984, p. 82, Philips Food Processor shown at left.

Industrial Design Magazine, May/June 1979, p. 23, #4, top left panel, UM 45 Kitchen Machine, Robert Bosch.

Good Housekeeping, Nov. 1981, p. 236, Food Preparation System by West Bend/lower r.

Industrial Design, Mar. 1961, p. 79, #4, top panel/Casco Chef-Mate Mixer Bowl Attachment.

Primary Examiner—Winifred E. Herrmann
Attorney, Agent, or Firm—Peter K. Kontler

[57] CLAIM

The ornamental design for a food mixer, as shown and described.

DESCRIPTION

FIG. 1 is a front perspective view of a food mixer embodying my new design;

FIG. 2 is a front elevational view thereof;

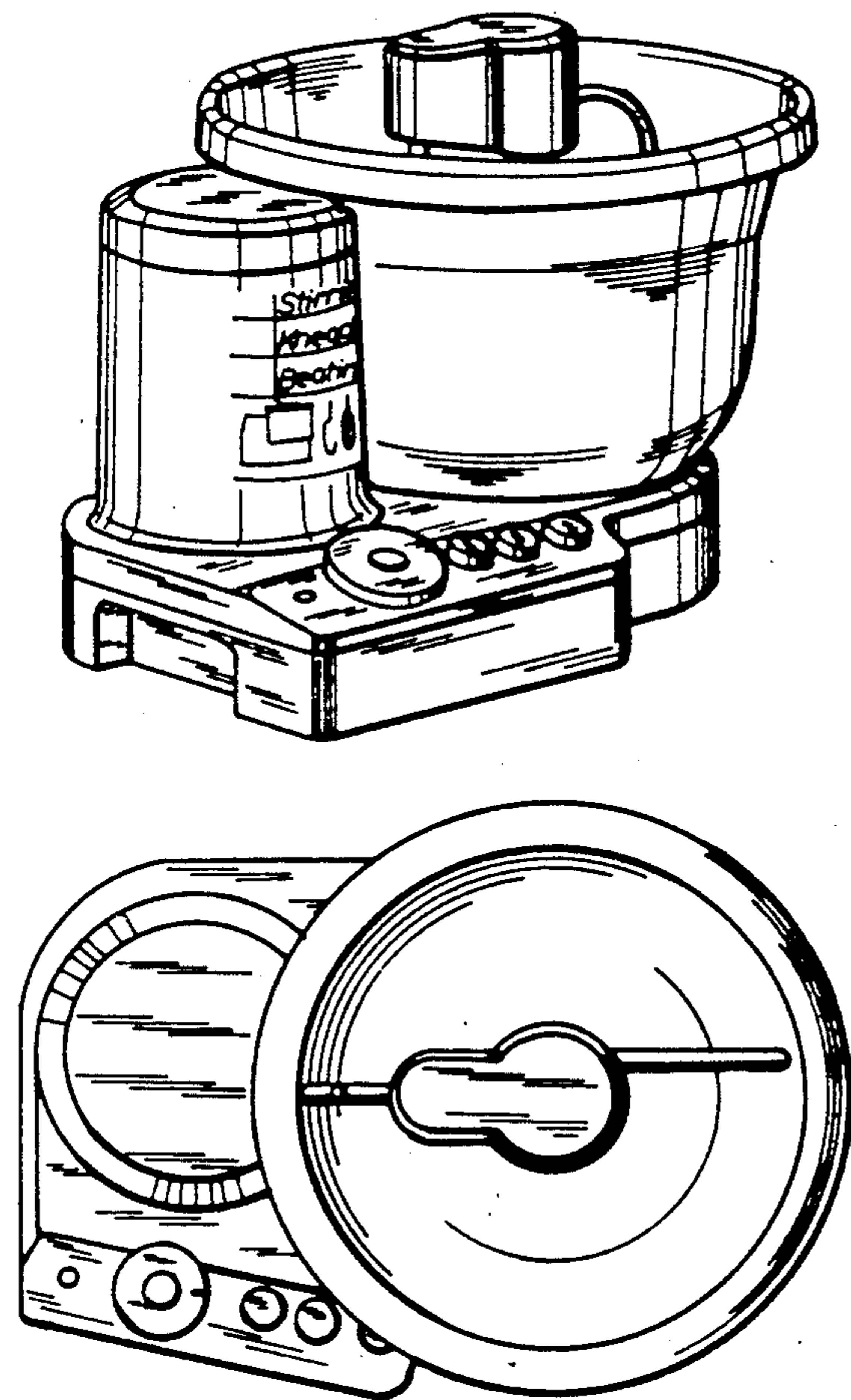
FIG. 3 is a top plan view thereof;

FIG. 4 is a bottom plan view thereof;

FIG. 5 is a rear elevational view thereof;

FIG. 6 is a right-hand side elevational view thereof; and

FIG. 7 is a left-hand side elevational view thereof.



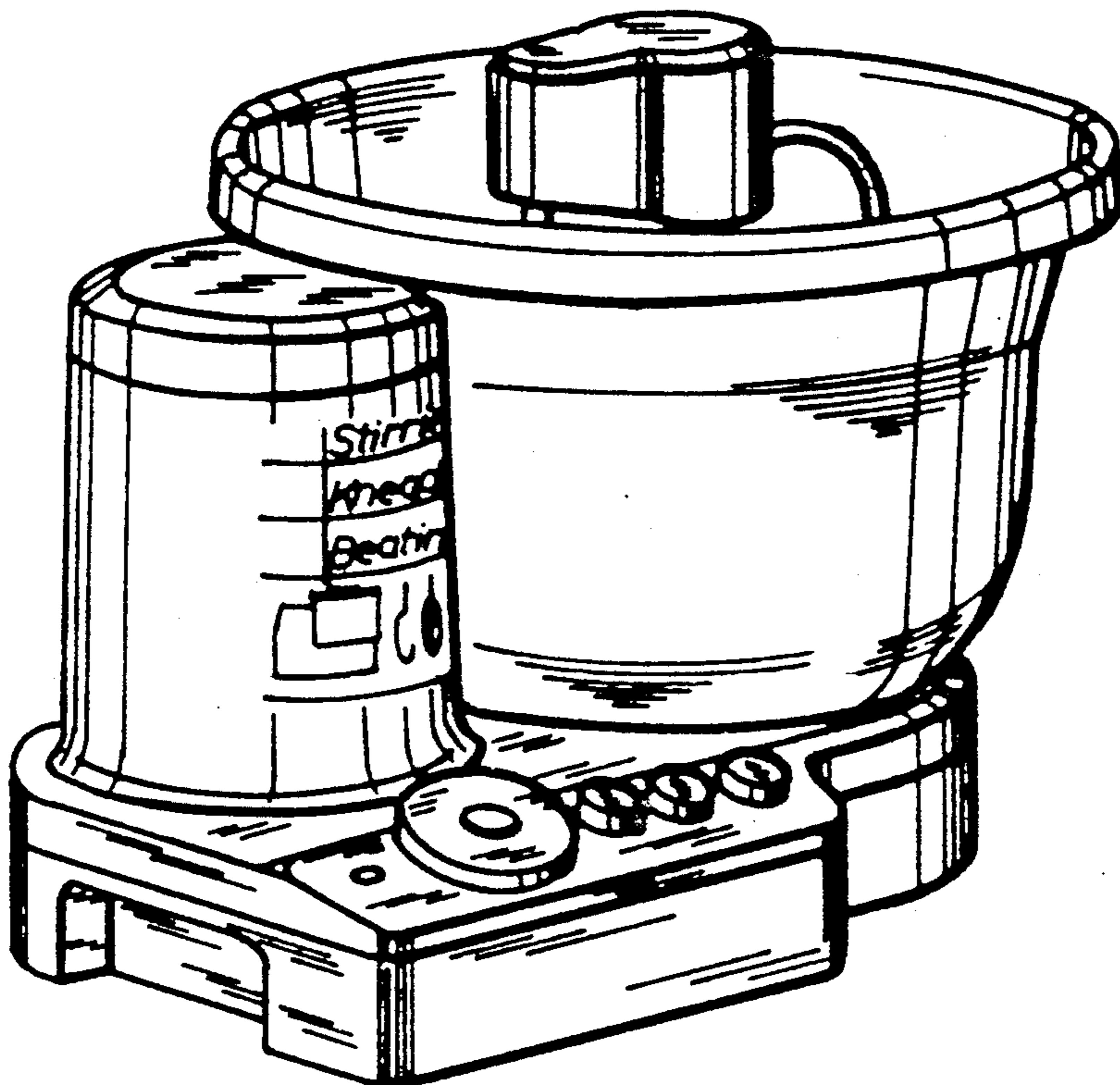


FIG. 1

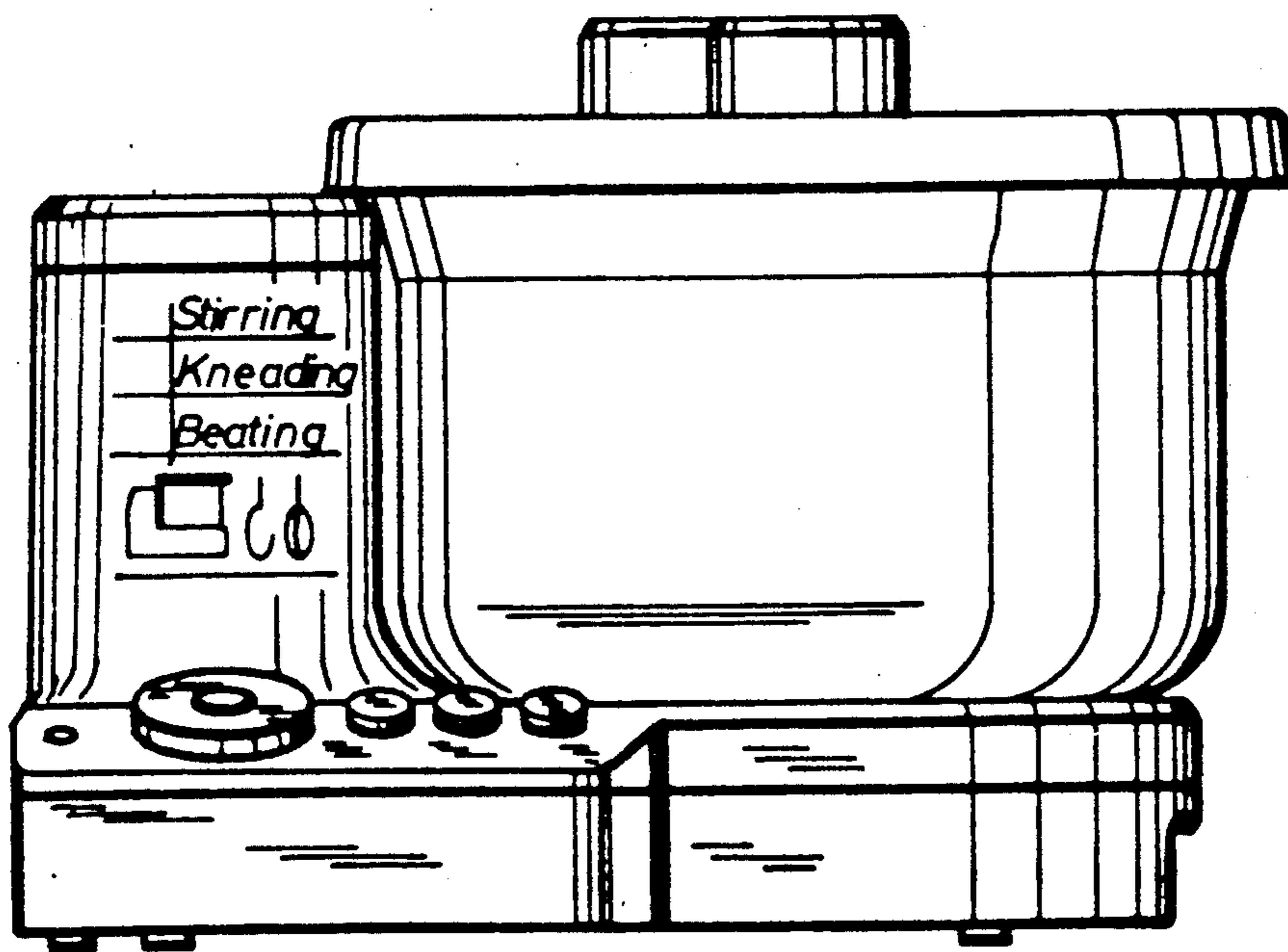


FIG. 2

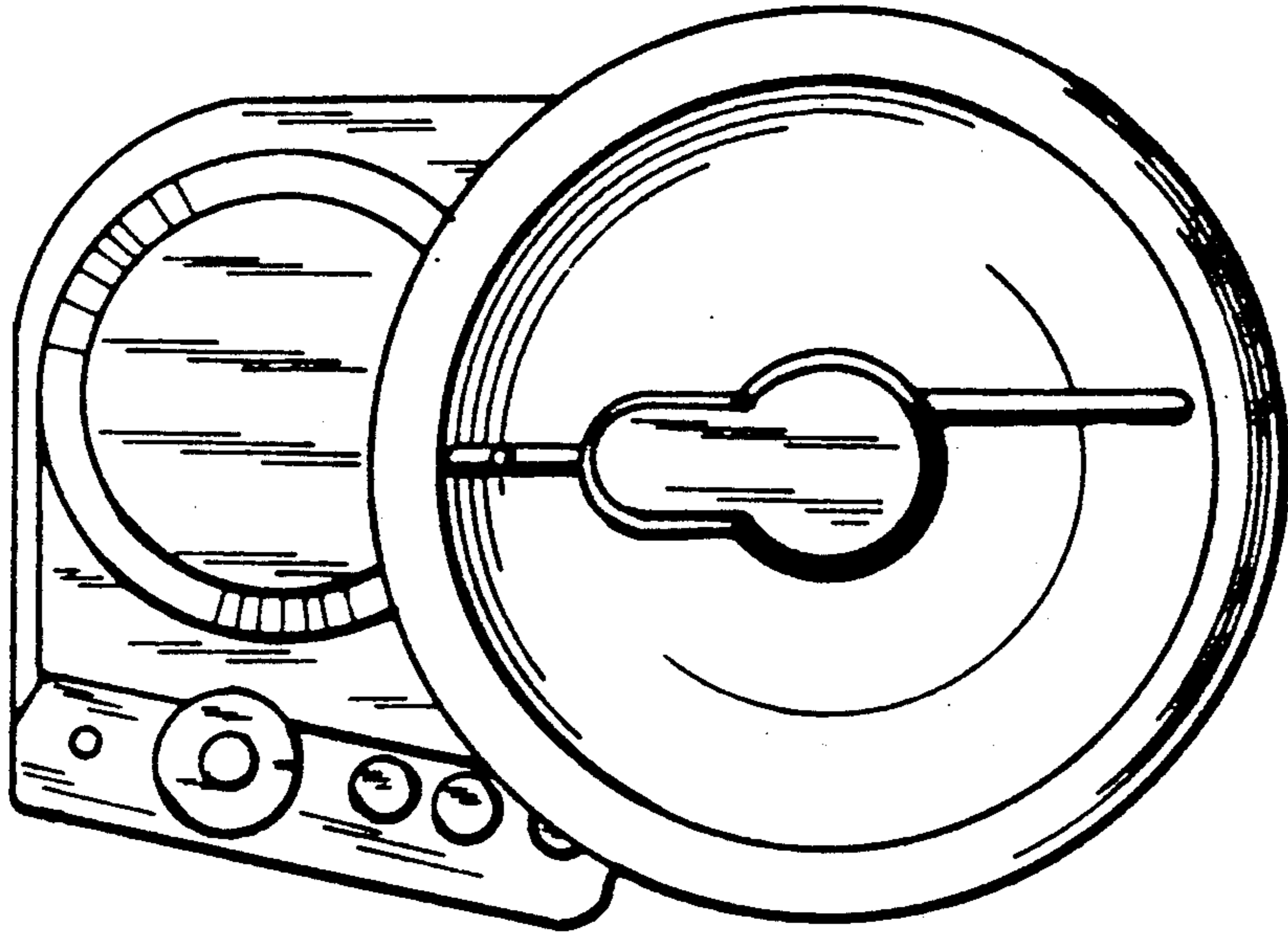


FIG. 3

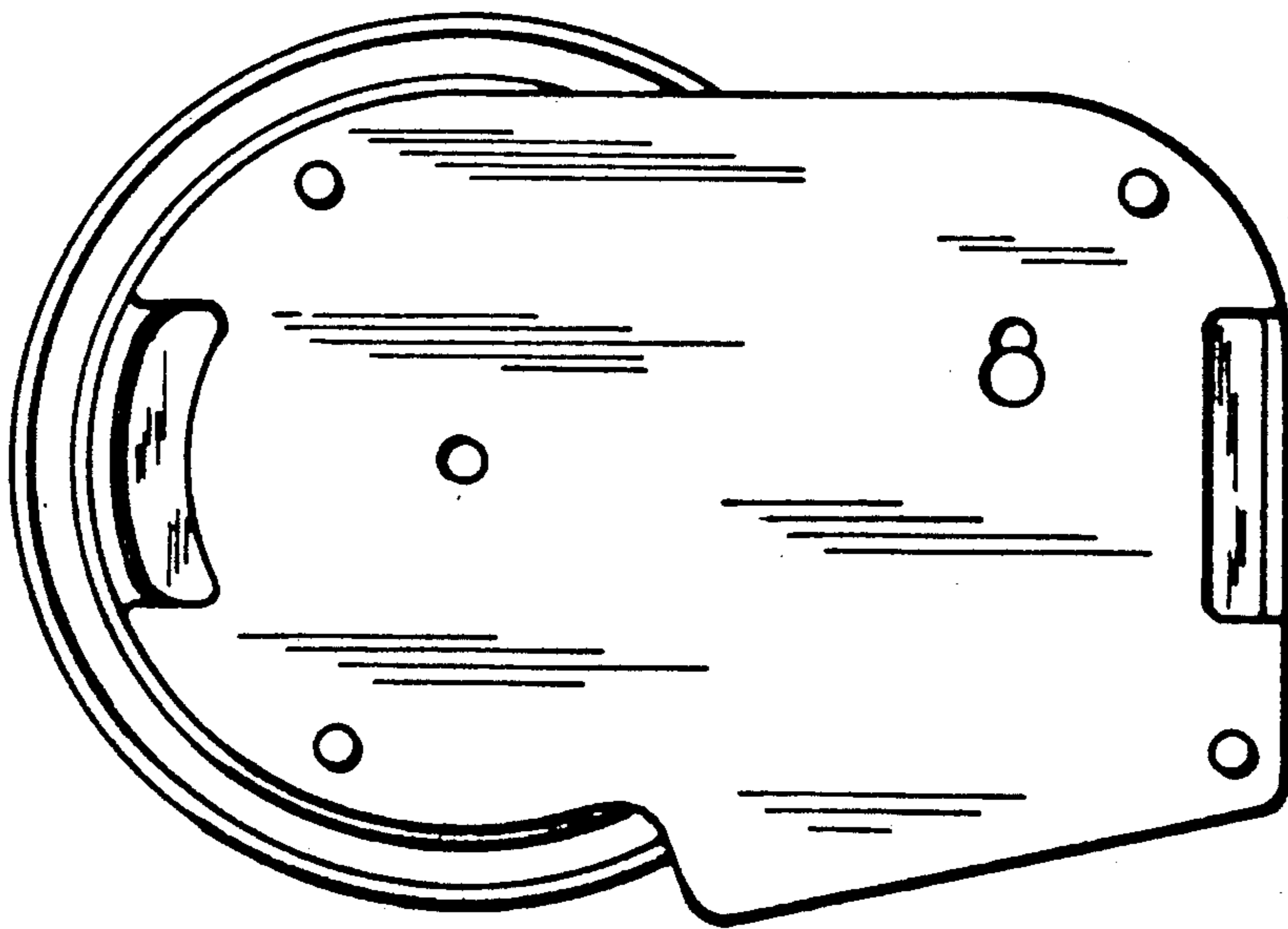


FIG. 4

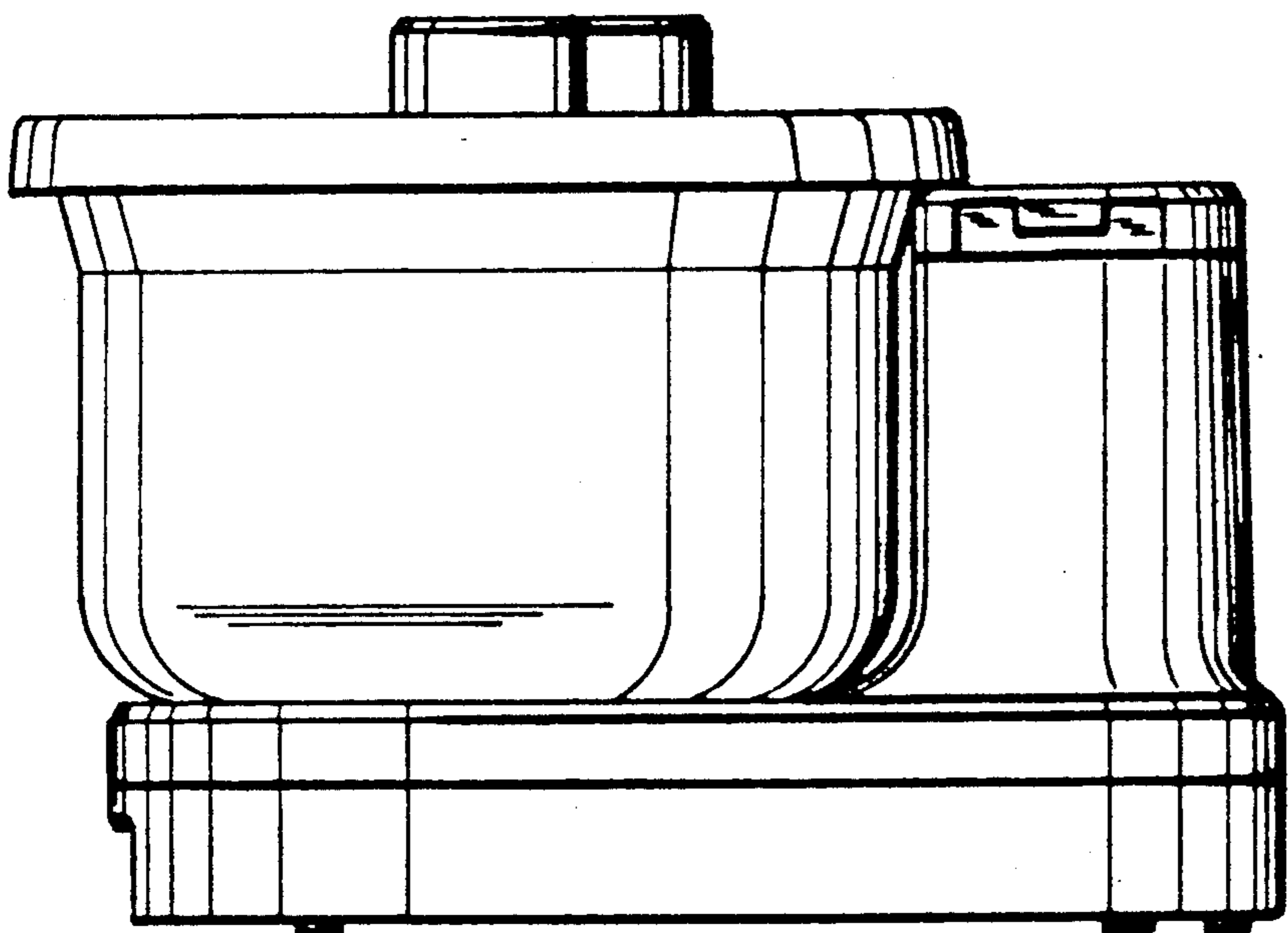


FIG.5

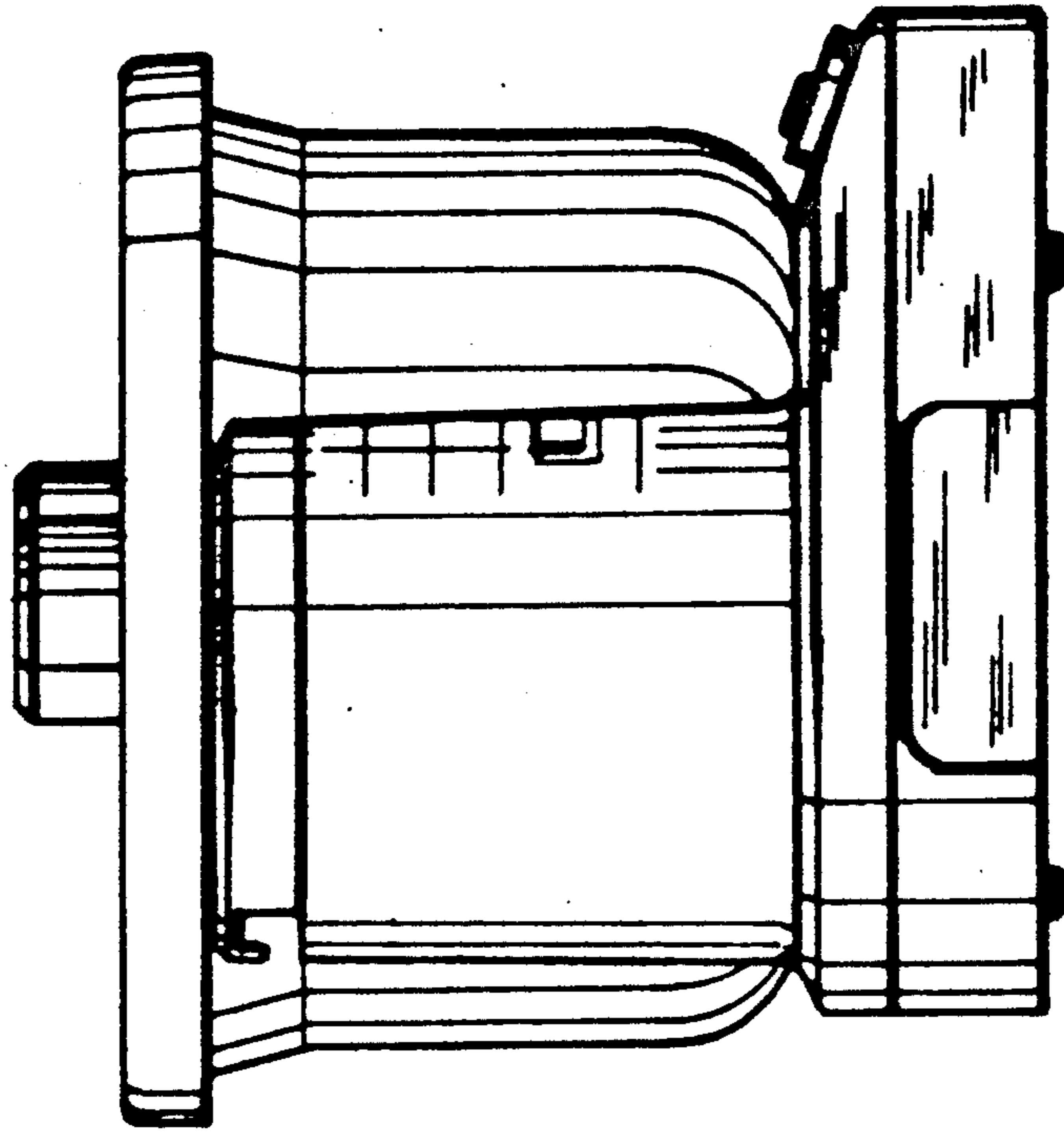


FIG. 7

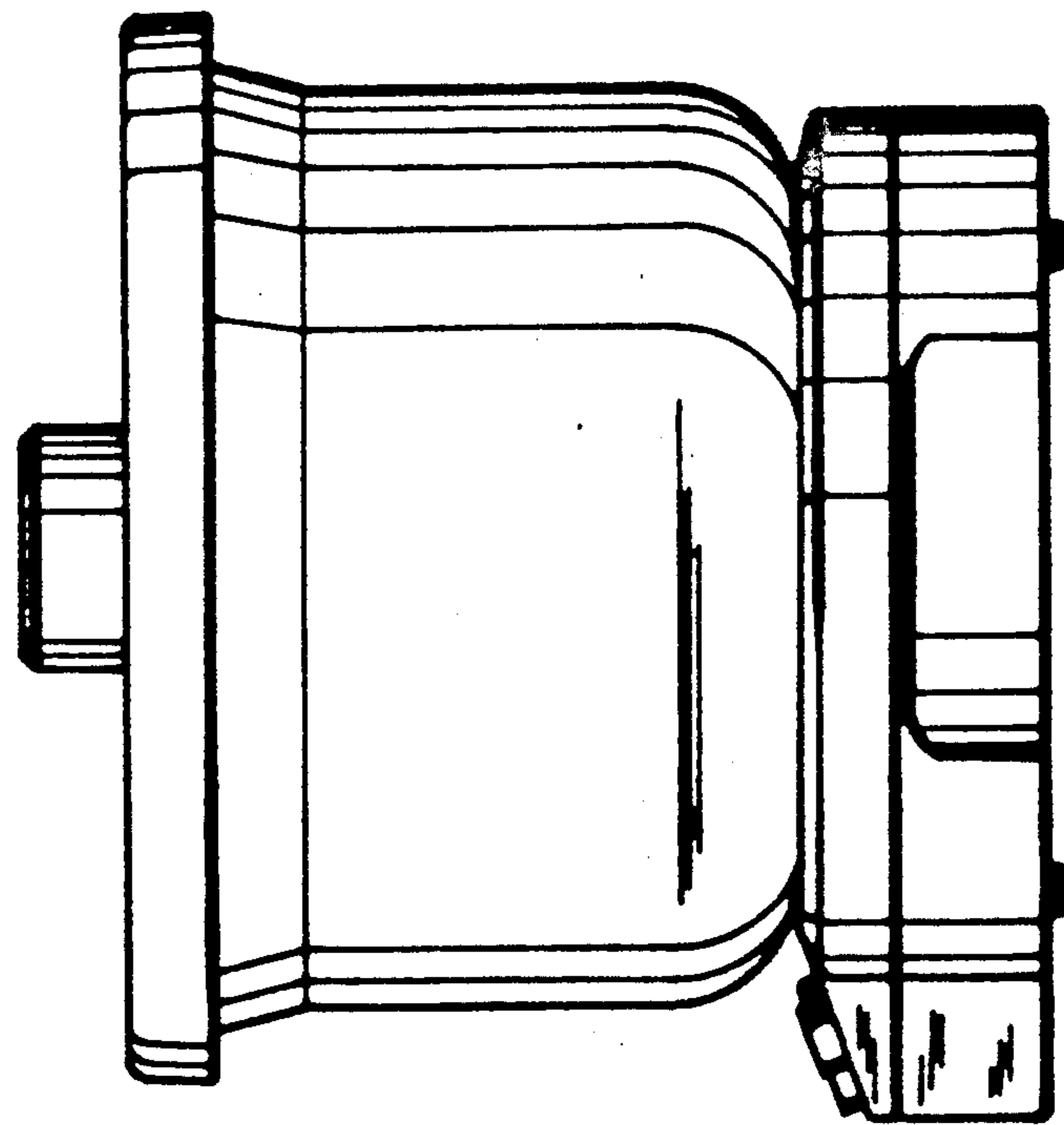


FIG. 6