

[54] ROTATABLE TOP FOR AN ELECTRONIC EQUIPMENT SUPPORT STAND

[75] Inventors: John E. Bales; Douglas L. Johnston, both of Portland, Oreg.

[73] Assignee: Comtek Industries, Inc., Portland, Oreg.

[\*\*] Term: 14 Years

[21] Appl. No.: 178,082

[22] Filed: Apr. 6, 1988

[52] U.S. Cl. .... D6/495; D6/496; D6/511

[58] Field of Search ..... D6/491, 495, 496, 498, D6/499-502, 486, 366, 393, 480, 482, 489, 363

[56] References Cited

U.S. PATENT DOCUMENTS

D. 44,499	8/1913	Selig	.....	D6/495
D. 50,900	6/1917	Barker	.....	D6/495
D. 56,541	11/1920	Sailer	.....	D6/495
D. 62,960	8/1923	Pettibone	.....	D6/500
D. 65,635	9/1924	Clement	.....	D6/495
D. 78,976	7/1929	Kehoe	.....	D6/495
D. 115,528	7/1939	Silvers	.....	D6/495
D. 156,439	12/1949	Lebensfeld	.....	D6/495
D. 169,409	4/1953	Auer	.....	D8/374
D. 240,302	6/1976	Montague et al.	.....	D6/486 X
D. 253,594	12/1979	Antenbring	.....	D6/496 X

D. 277,580	2/1985	Wiseman	.....	D6/496 X
D. 281,300	11/1985	Gluck	.....	D6/495
D. 283,856	5/1986	Elmaleh	.....	D6/486 X
D. 288,876	3/1987	Goetz et al.	.....	D6/449

OTHER PUBLICATIONS

Global Computer Supplies, PC Tilt'n Swivel Table in upper right corner.

Primary Examiner—Bruce W. Dunkins

Assistant Examiner—Janice E. Seeger

Attorney, Agent, or Firm—Chernoff, Vilhauer, McClung & Stenzel

[57] CLAIM

The ornamental design for a rotatable top for an electronic equipment support stand, as shown and described.

DESCRIPTION

FIG. 1 is a bottom perspective view of a rotatable top for an electronic equipment support stand, showing our new design;

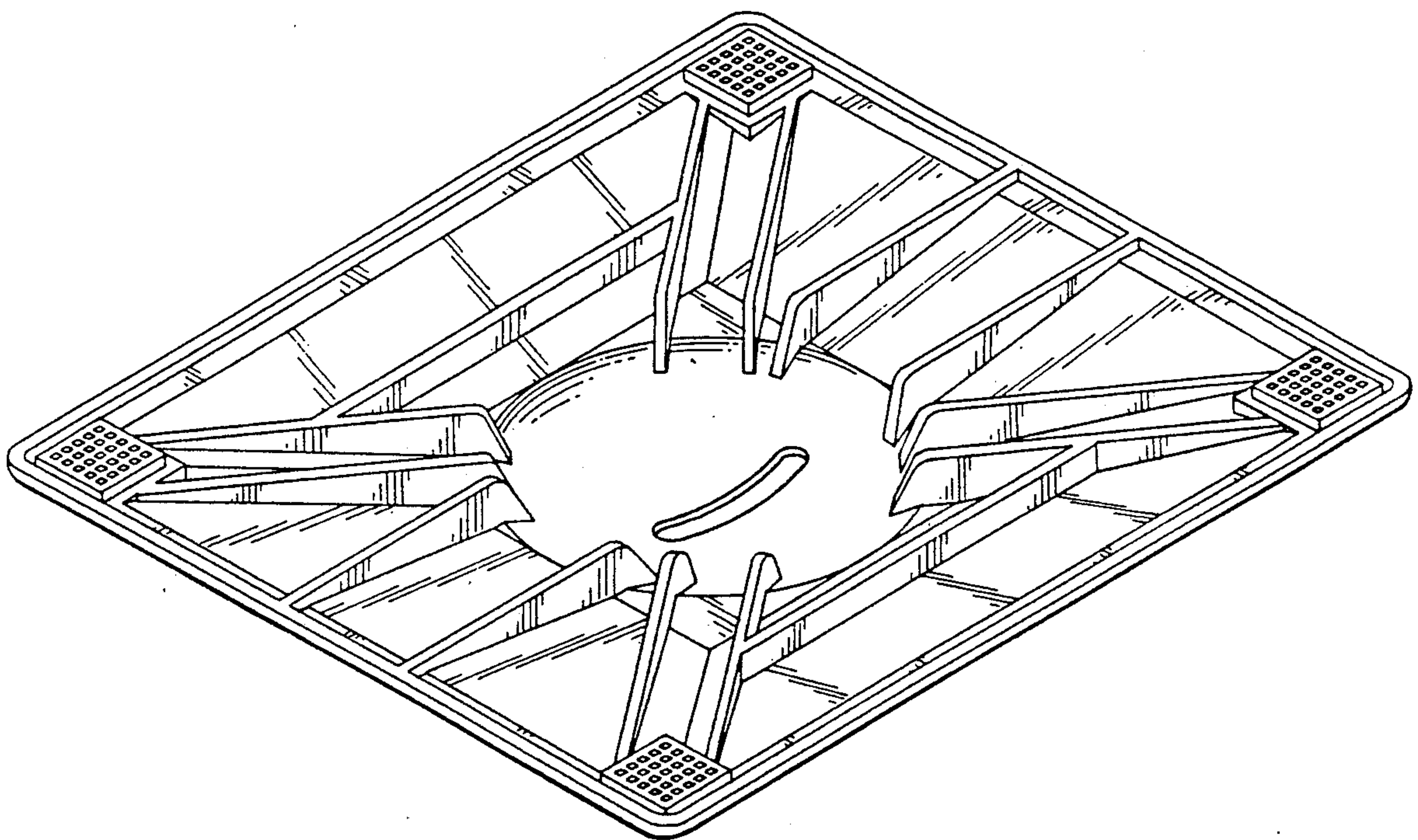
FIG. 2 is a bottom plan view thereof;

FIG. 3 is a top plan view thereof;

FIG. 4 is a side elevational view, the opposite side being identical thereto;

FIG. 5 is an elevational view showing one of the two identical ends; and

FIG. 6 is a top perspective view thereof.



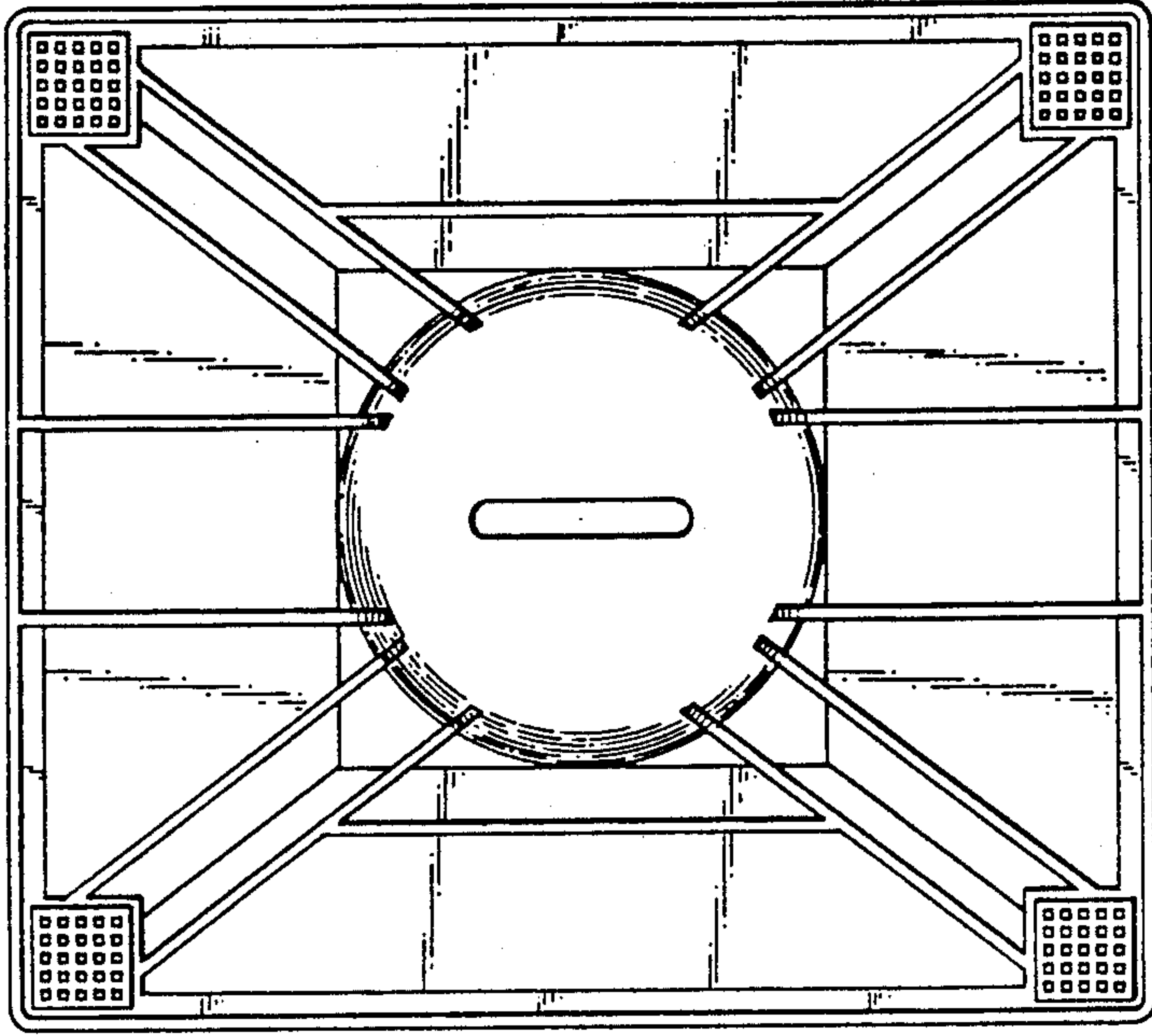


FIG. 3

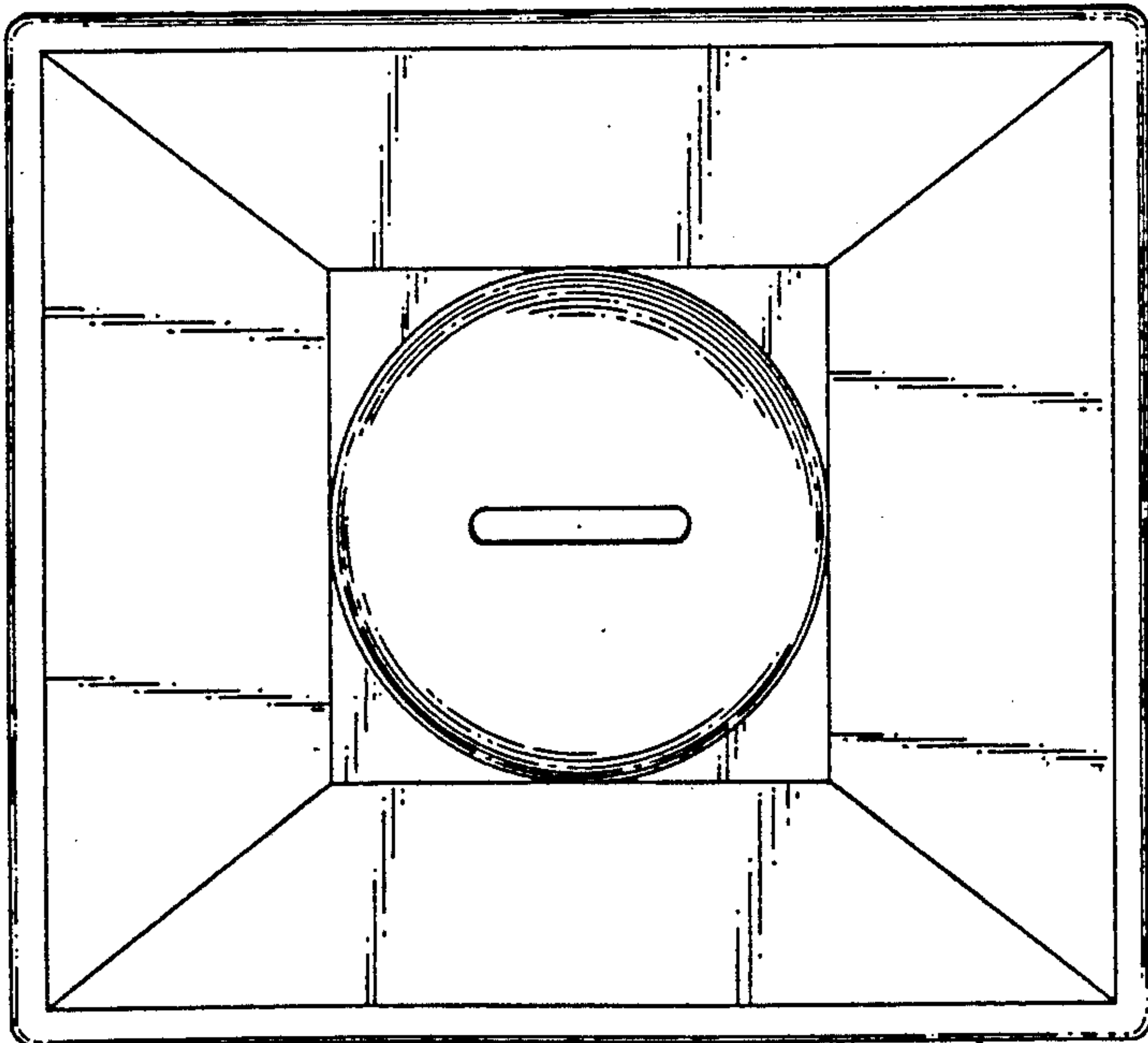


FIG. 2

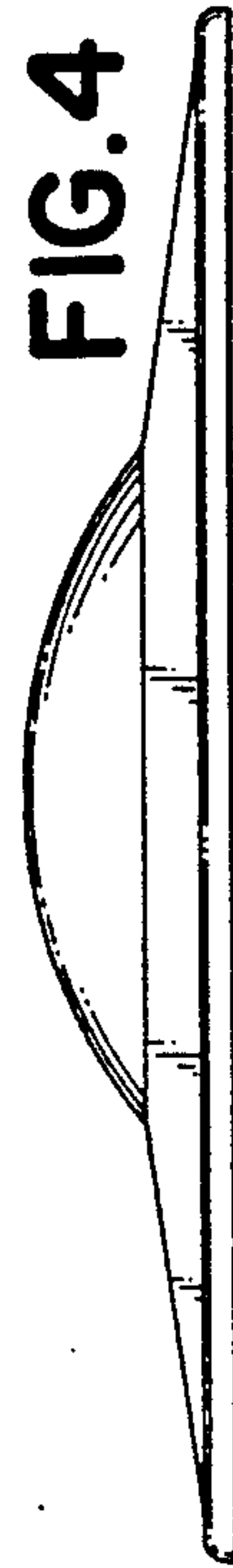


FIG. 4



FIG. 5

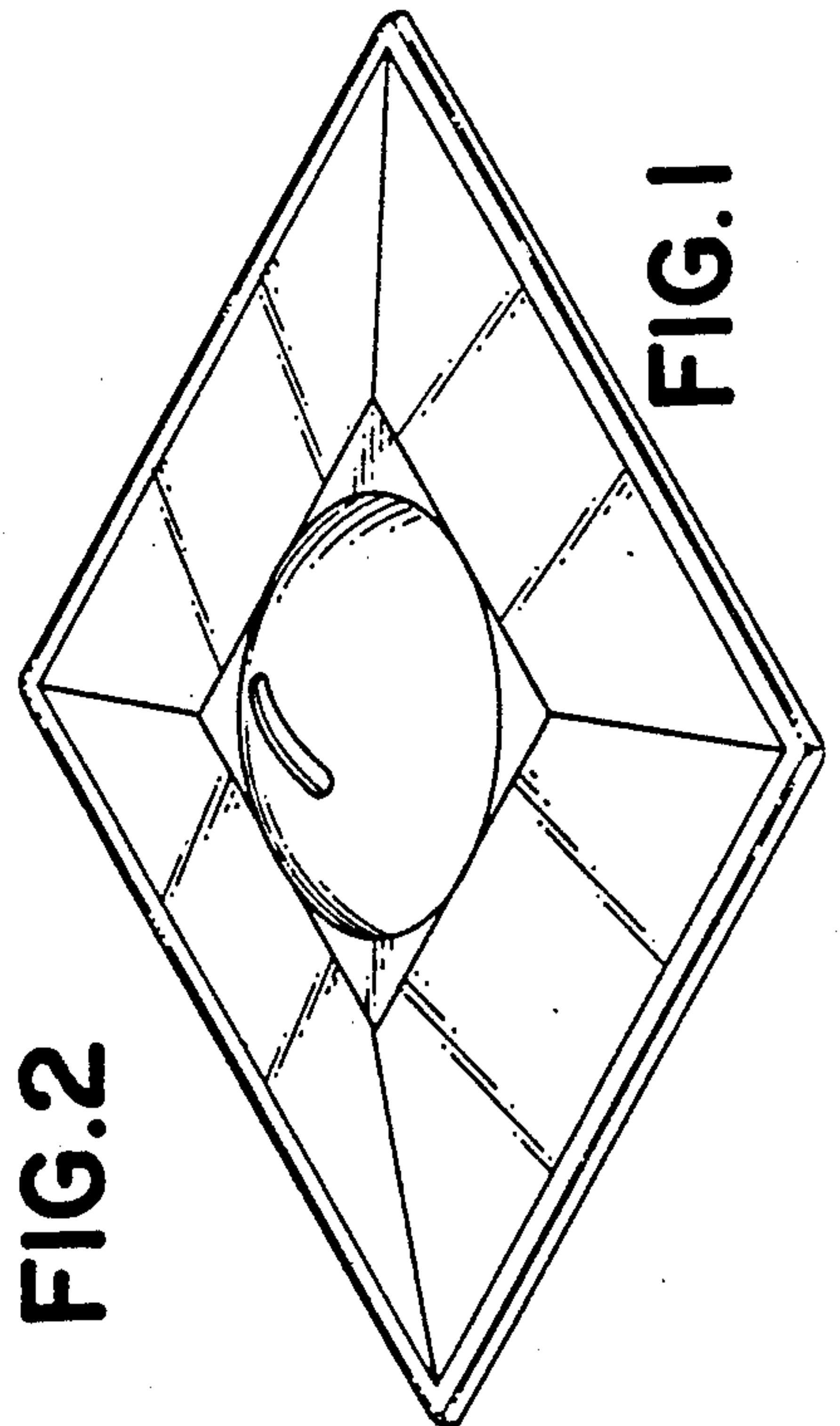


FIG. 1



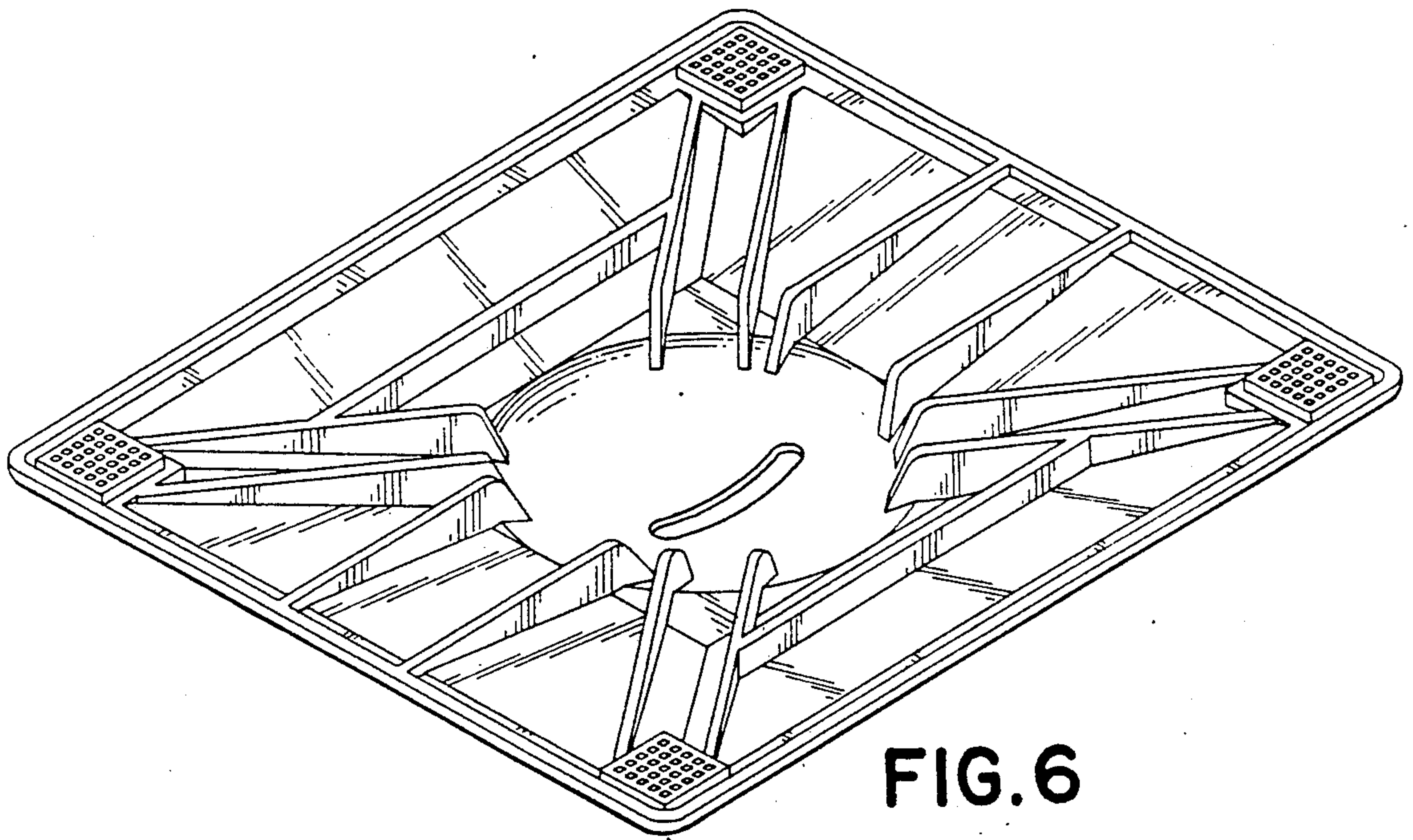


FIG. 6