

[54] BUTCHER BLOCK TABLE WITH STORAGE OR THE LIKE

[75] Inventor: Jonathan Grey, Midhurst, England

[73] Assignee: Smallbone Plc, Berkshire, England

[**] Term: 14 Years

[21] Appl. No.: 134,526

[22] Filed: Dec. 18, 1987

[30] Foreign Application Priority Data

Jun. 19, 1987 [GB] United Kingdom 1042968
[52] U.S. Cl. D6/436
[58] Field of Search D6/397, 436, 480, 484,
D6/477-479; 312/204

[56] References Cited

U.S. PATENT DOCUMENTS

D. 244,113 4/1977 Friedman D6/477
D. 249,860 10/1978 Ungaro D6/436 X
D. 250,234 11/1978 Ungaro D6/436
D. 250,371 11/1978 Hade D6/484 X
D. 274,874 7/1984 Emery D6/484

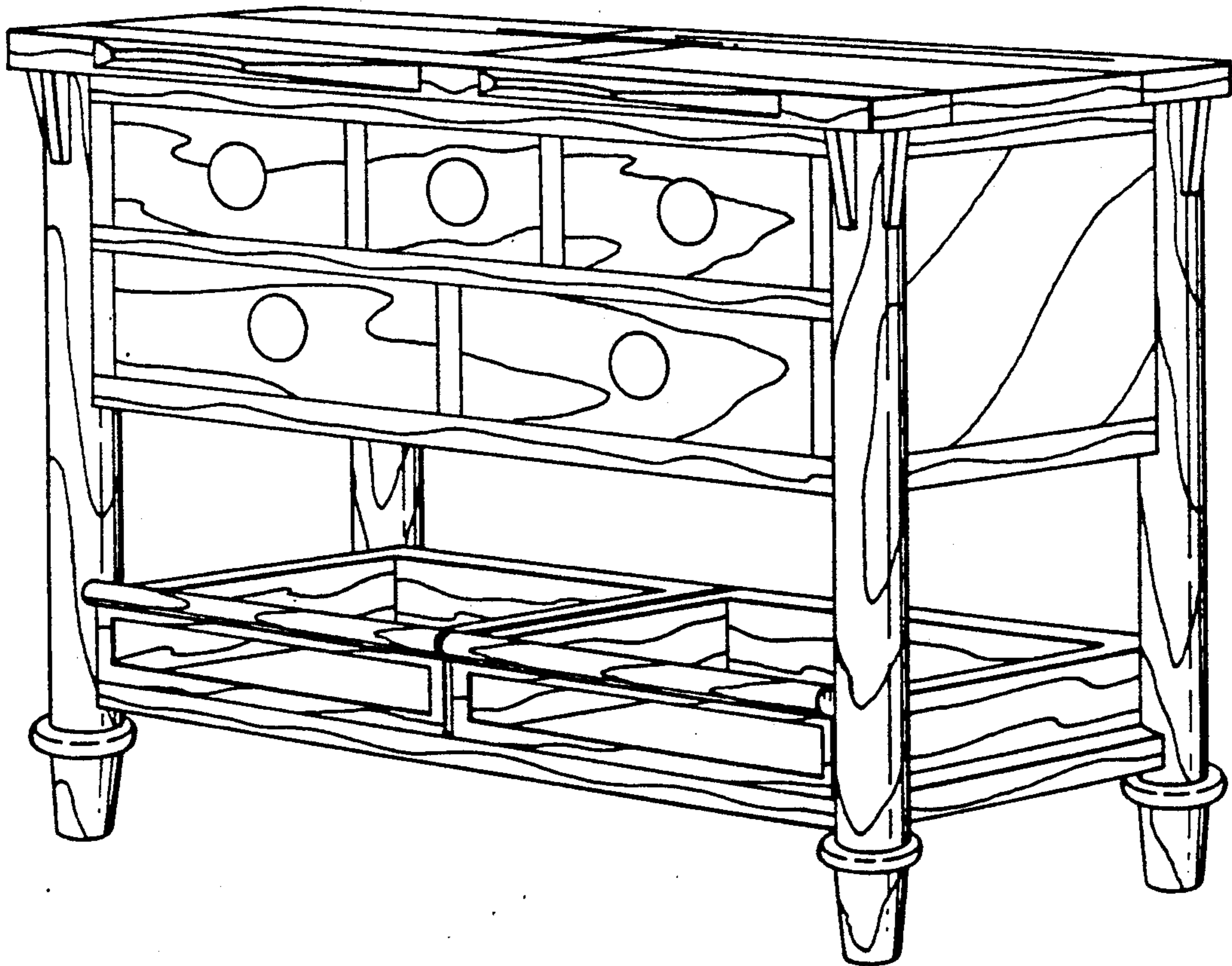
Primary Examiner—Carmen H. Vales-Lado
Attorney, Agent, or Firm—Darby & Darby

[57] CLAIM

The ornamental design for a butcher block table with storage or the like, as shown.

DESCRIPTION

FIG. 1 is a front elevational view of a butcher block table with storage or the like showing my new design; FIG. 2 is a side elevational view thereof; FIG. 3 is a top plan view thereof; FIG. 4 is a rear elevational view thereof; FIG. 5 is an bottom plan view thereof; and FIG. 6 is a perspective view thereof.



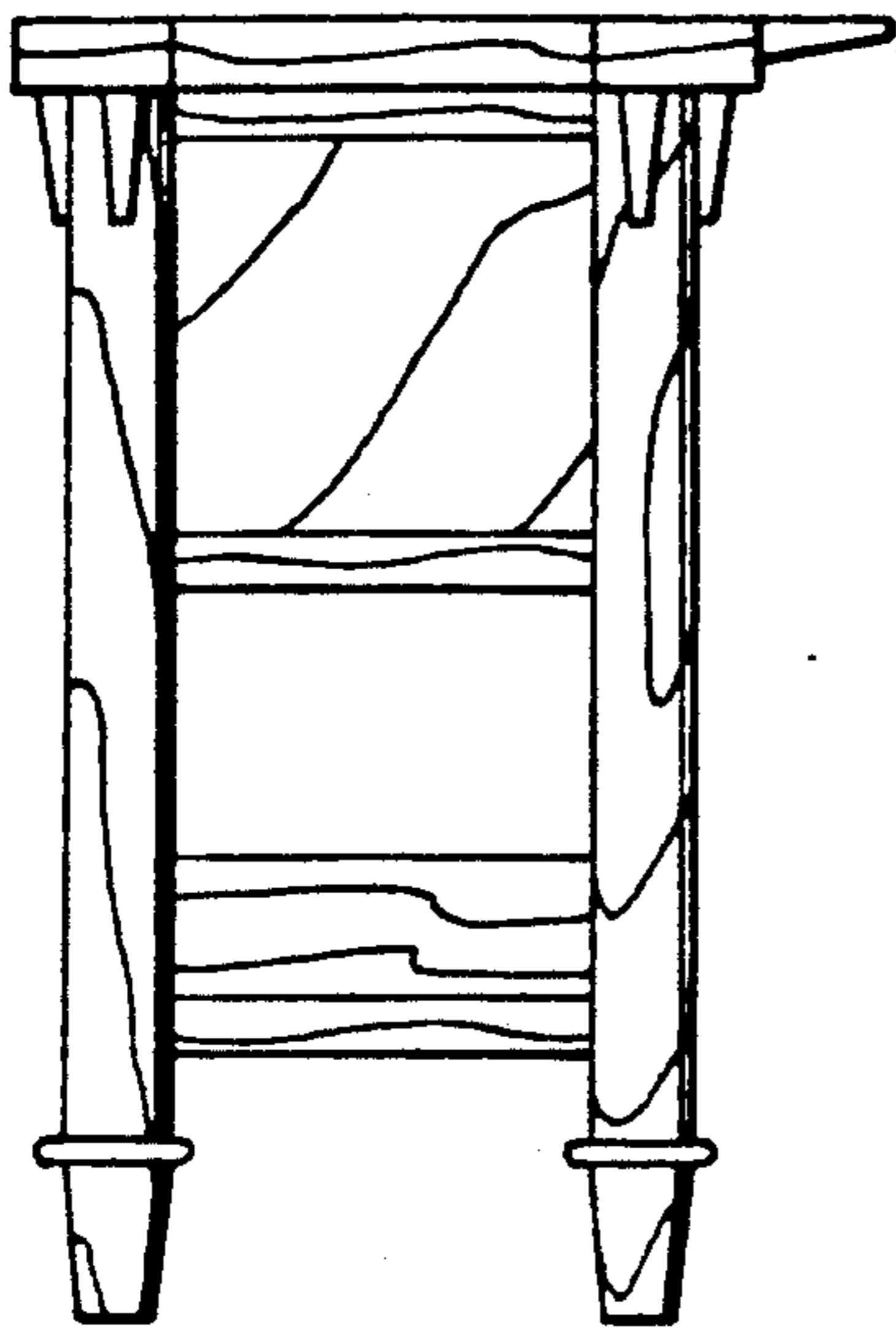


FIG. 2

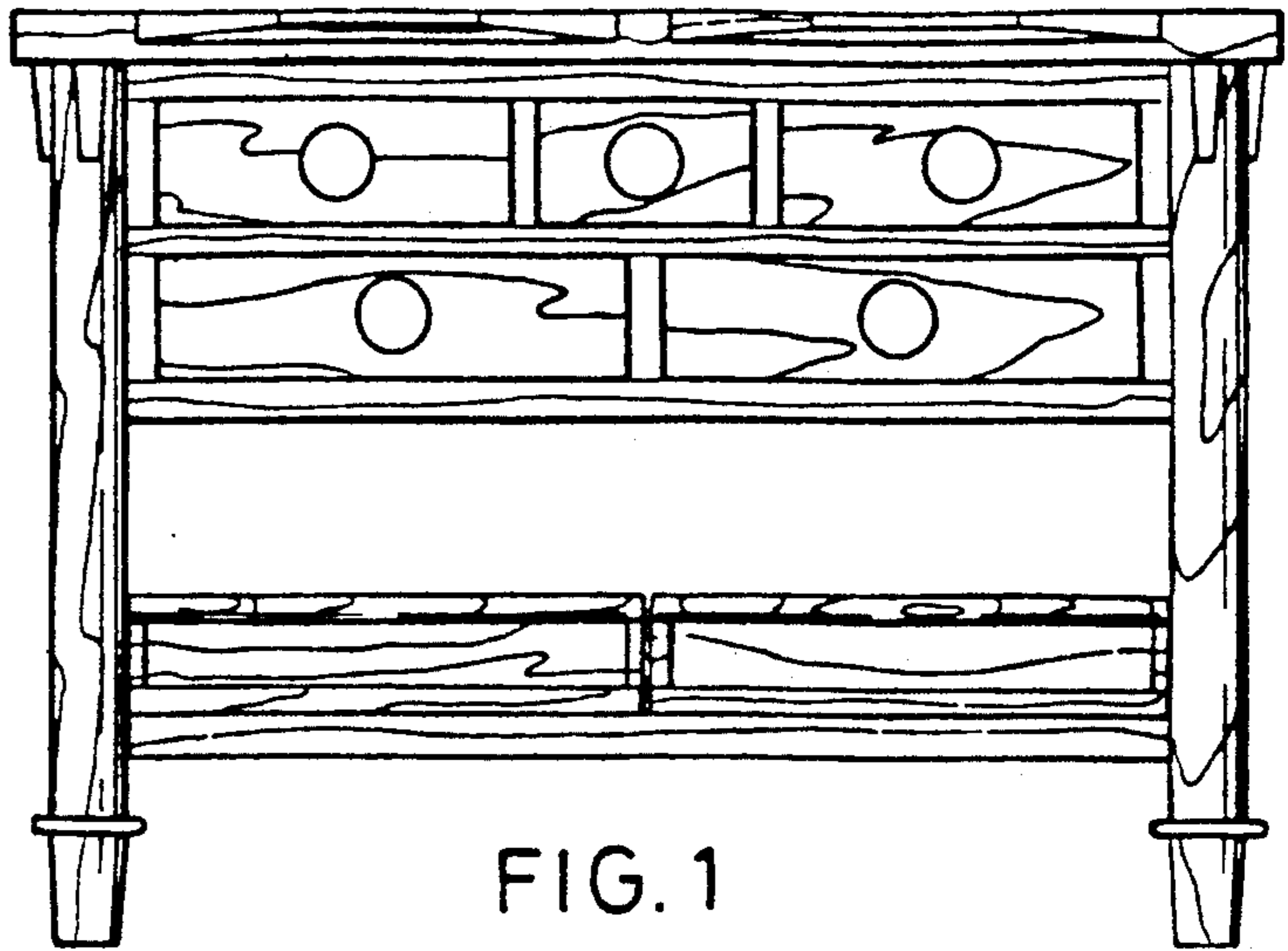


FIG. 1

FIG. 3

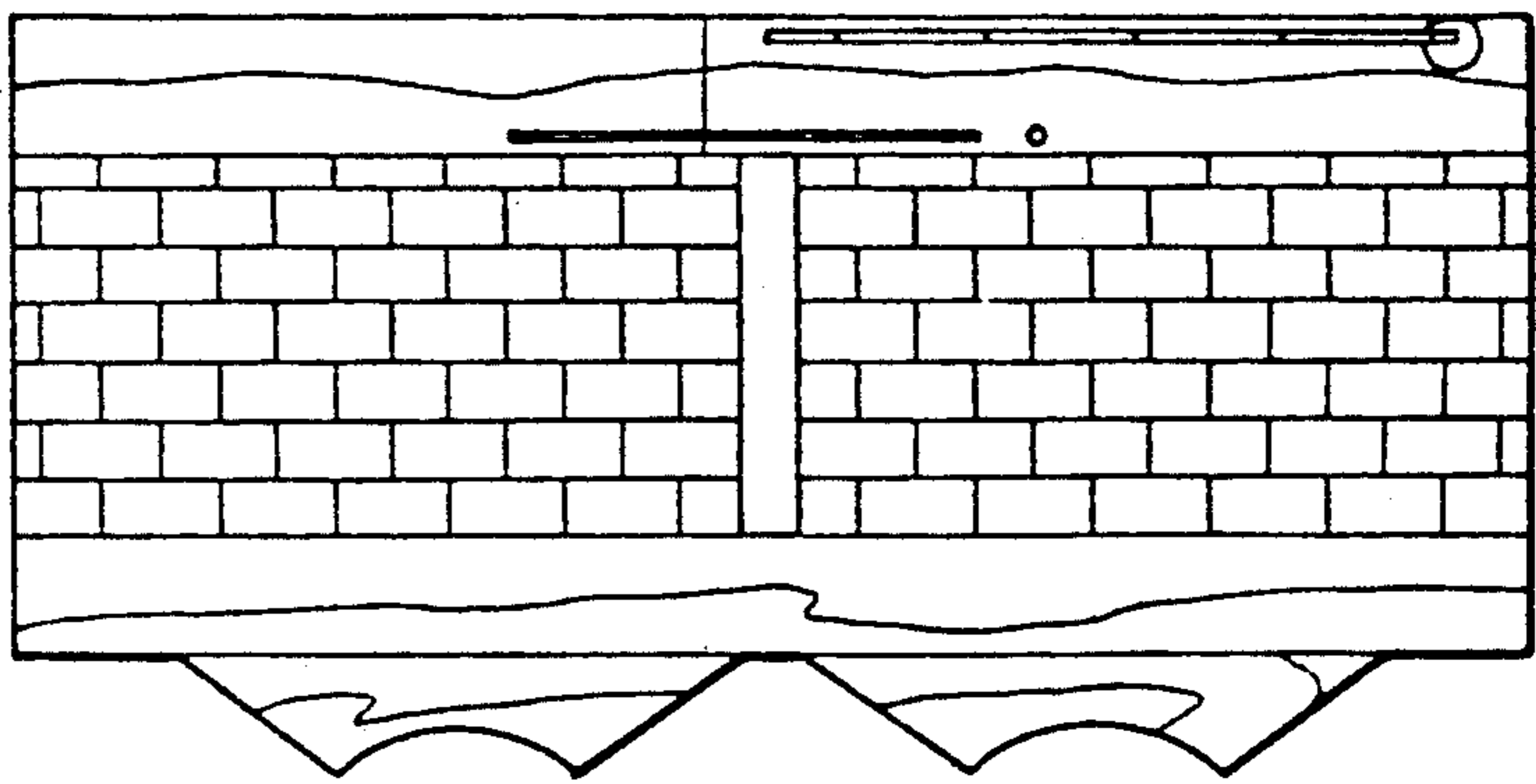
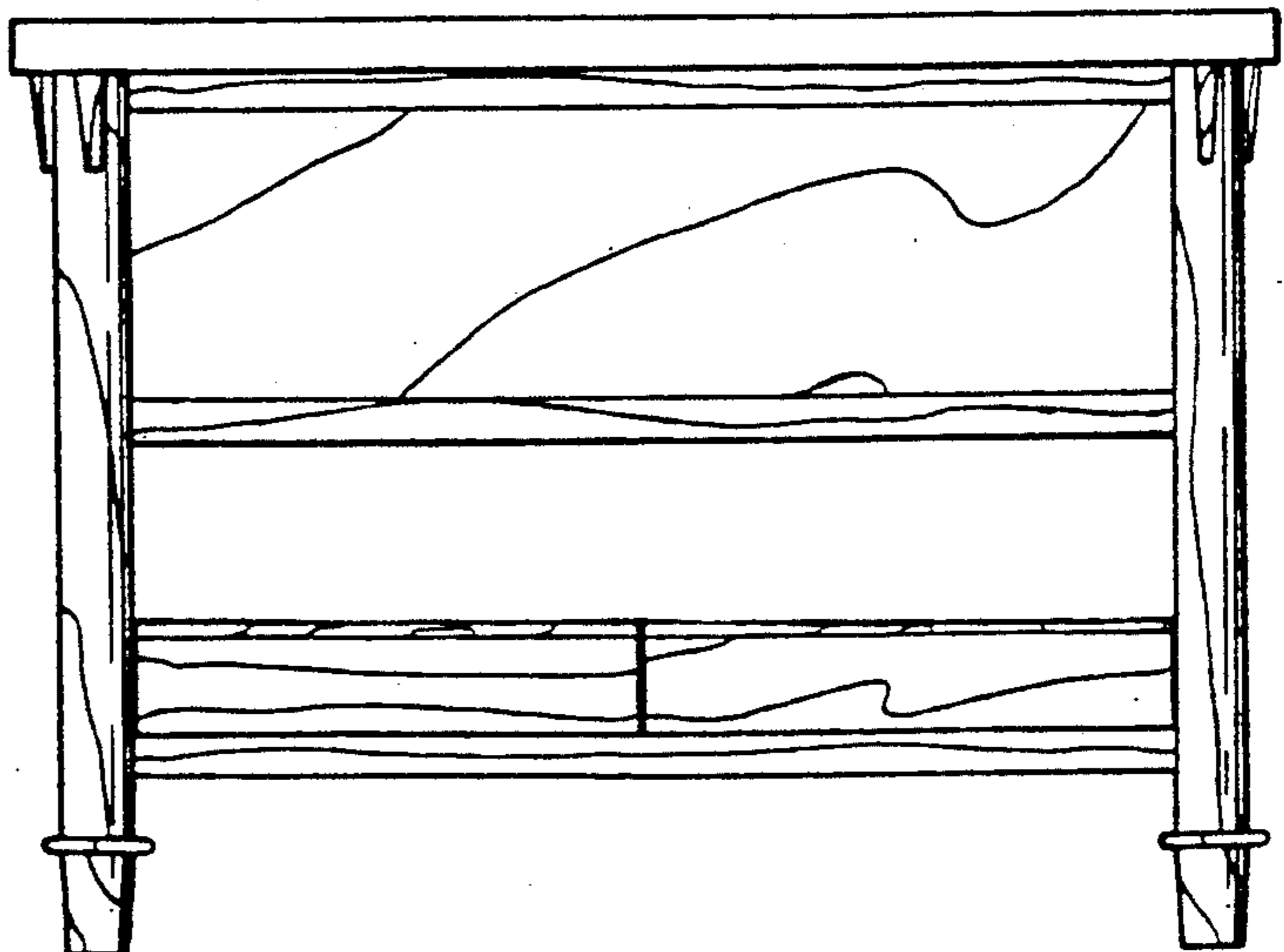


FIG. 4



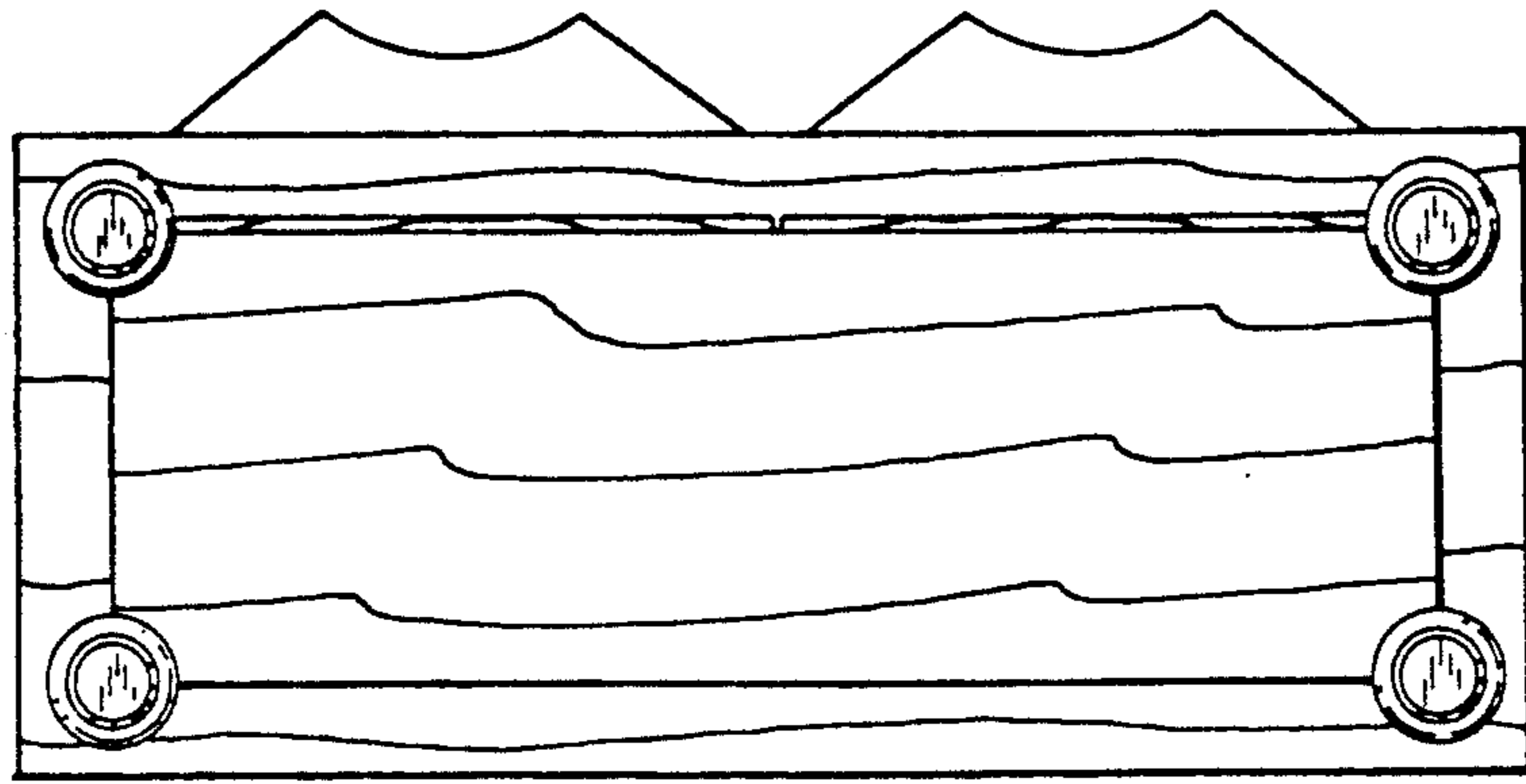


FIG. 5

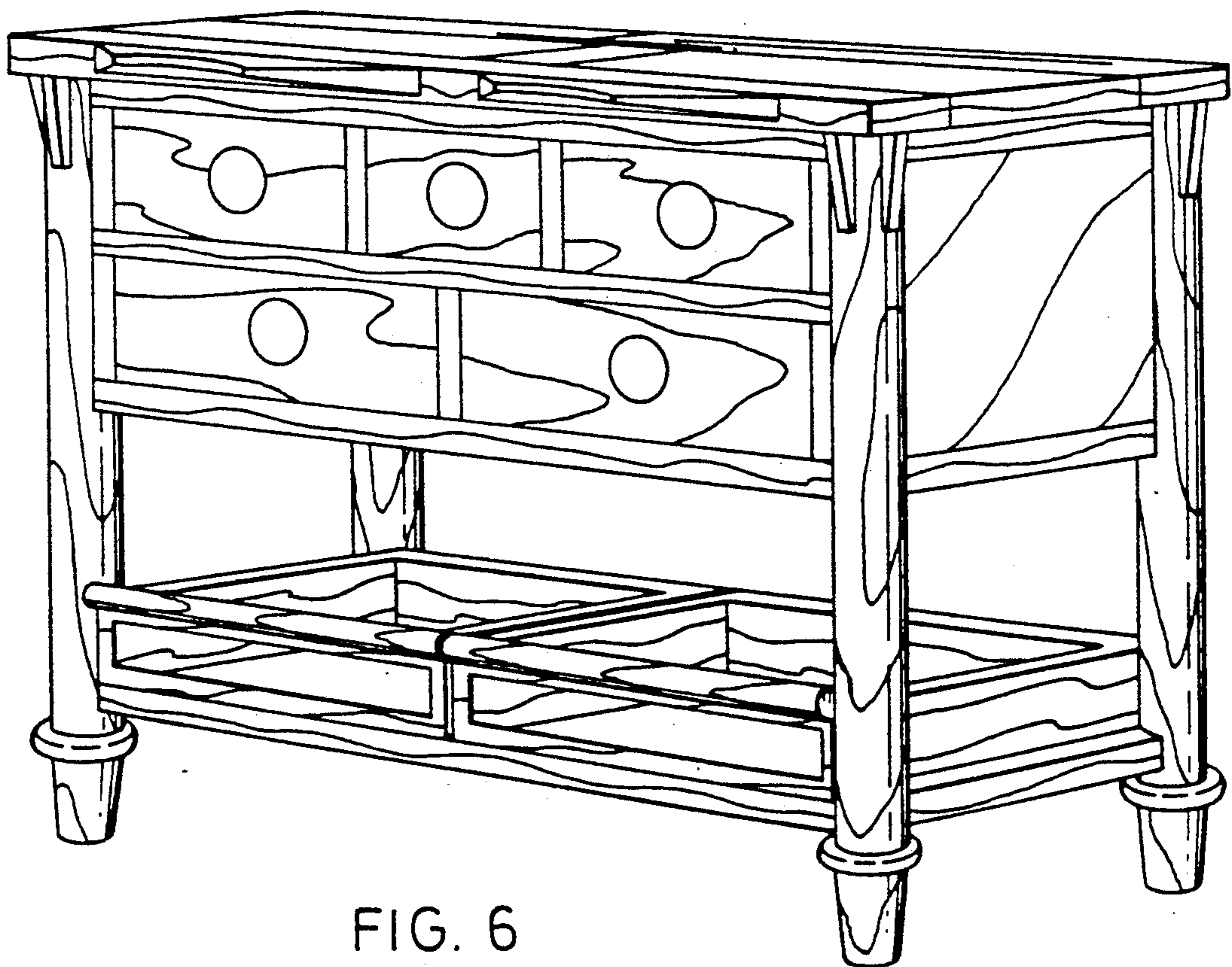


FIG. 6