

- [54] **HOLDER FOR COMPACT DISKS**  
[75] Inventor: Keith V. Sylvester, San Diego, Calif.  
[73] Assignee: Stratagene, La Jolla, Calif.  
[\*\*] Term: 14 Years  
[21] Appl. No.: 242,468  
[22] Filed: Sep. 9, 1988  
[52] U.S. Cl. .... D6/407; D6/468  
[58] Field of Search ..... D3/30.1, 34, 35, 42, D3/44, 45, 50, 52, 53, 56, 58, 59, 61, 66, 71, 73, 74, 76, 77, 78, 79, 99, 100, 103, 106; D6/407, 432, 440, 450, 456, 46614 468, 470; D9/303, 308, 311, 315, 318, 326, 330, 331, 341, 352, 373-377, 403, 418, 432, 446; D11/141; D14/11; D19/26, 86; D21/87, 101, 159, 160; D24/29, 47, 56; D34/40, 44, 46; 190/100, 101; 206/5, 5 R, 214, 217, 309-313, 370, 373-375, 387, 425, 444, 450, 571; 211/40, 42, 50; 215/11.1, 11.6; 220/8, 22, 23.2, 23.6, 850, 310, 375, 507; 224/94 R, 148, 227; 312/10, 13, 14; 422/181, 300; 434/317

[56] **References Cited**  
**U.S. PATENT DOCUMENTS**

D. 209,681 12/1967 Lyman ..... D6/407  
D. 239,353 3/1976 Rafaat ..... D6/407  
D. 253,444 11/1979 Mathus et al. .... D6/407  
D. 298,287 11/1988 Stravitz ..... D3/35

4,236,768 12/1980 Morrone ..... D6/407  
4,819,801 4/1989 Howard ..... 206/387

**OTHER PUBLICATIONS**

O.P.D.; 12-1981, p. 11 "Hot File® Floor Stand" at centre left.

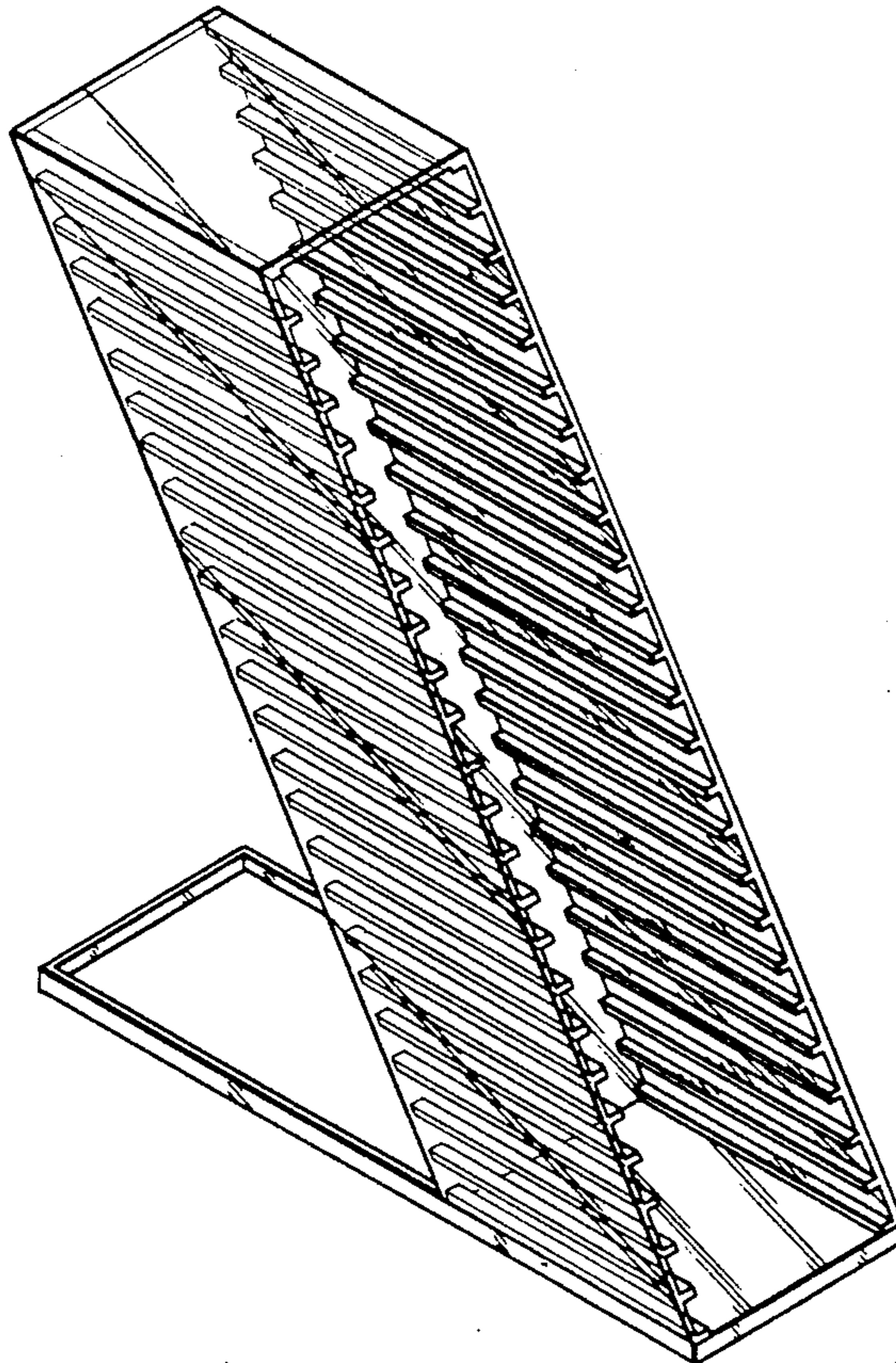
*Primary Examiner*—A. Hugo Word  
*Assistant Examiner*—Celia A. Murphy  
*Attorney, Agent, or Firm*—Lyon & Lyon

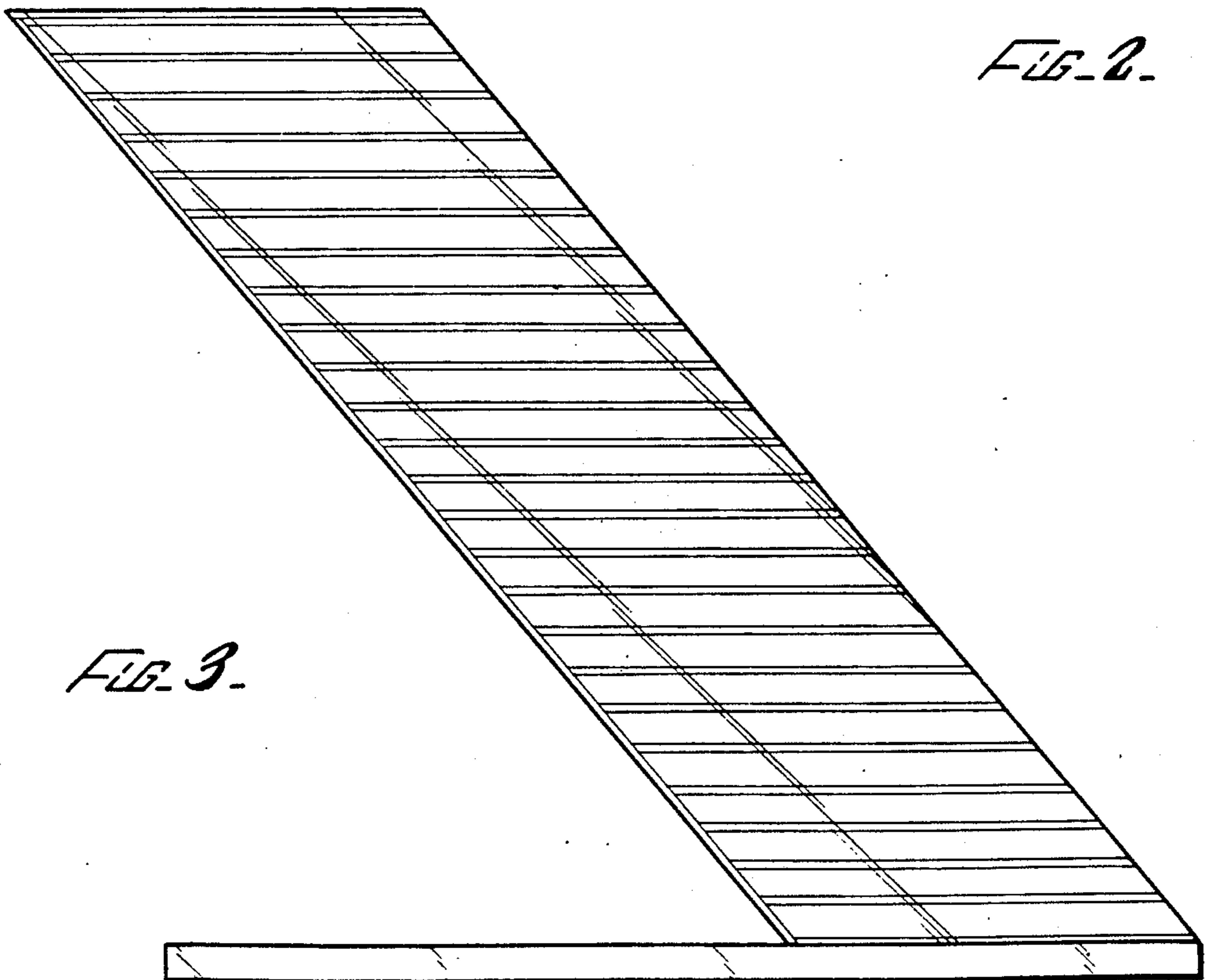
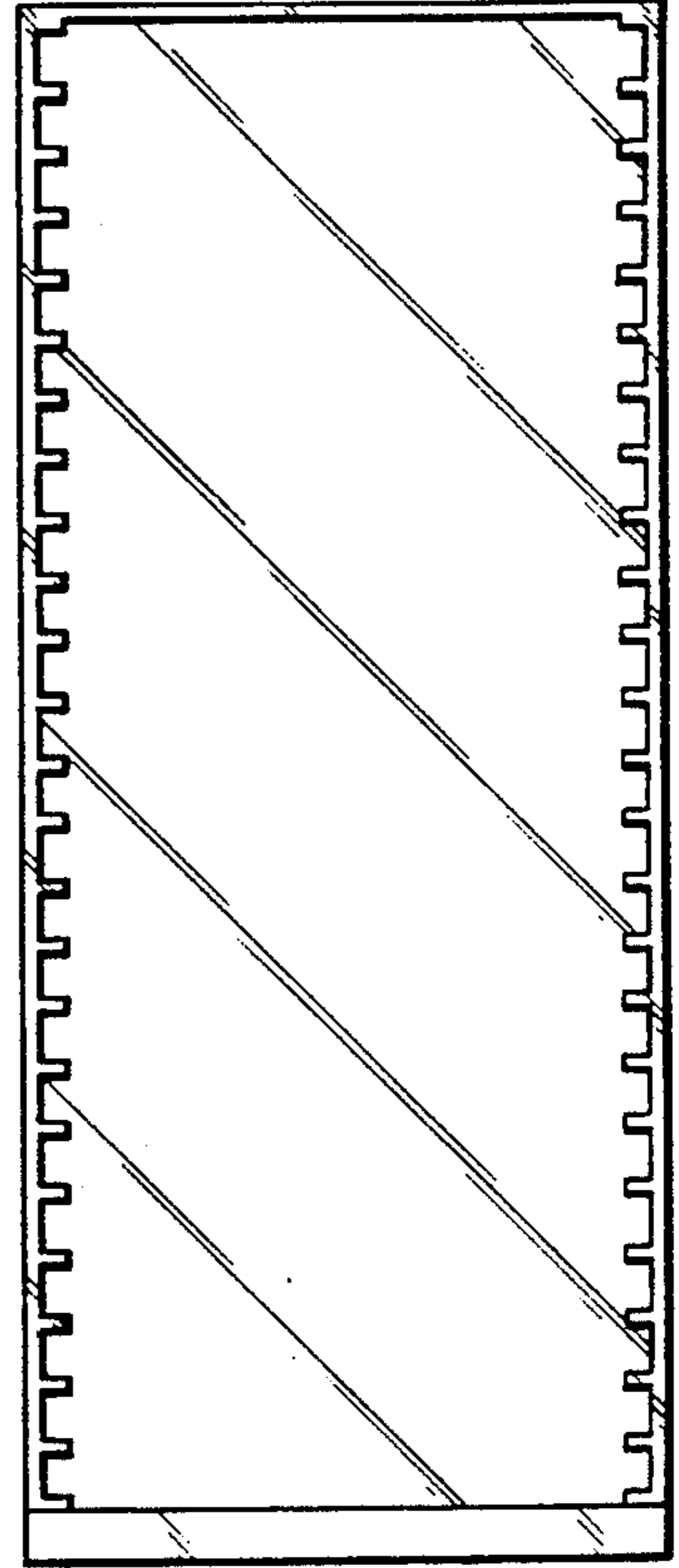
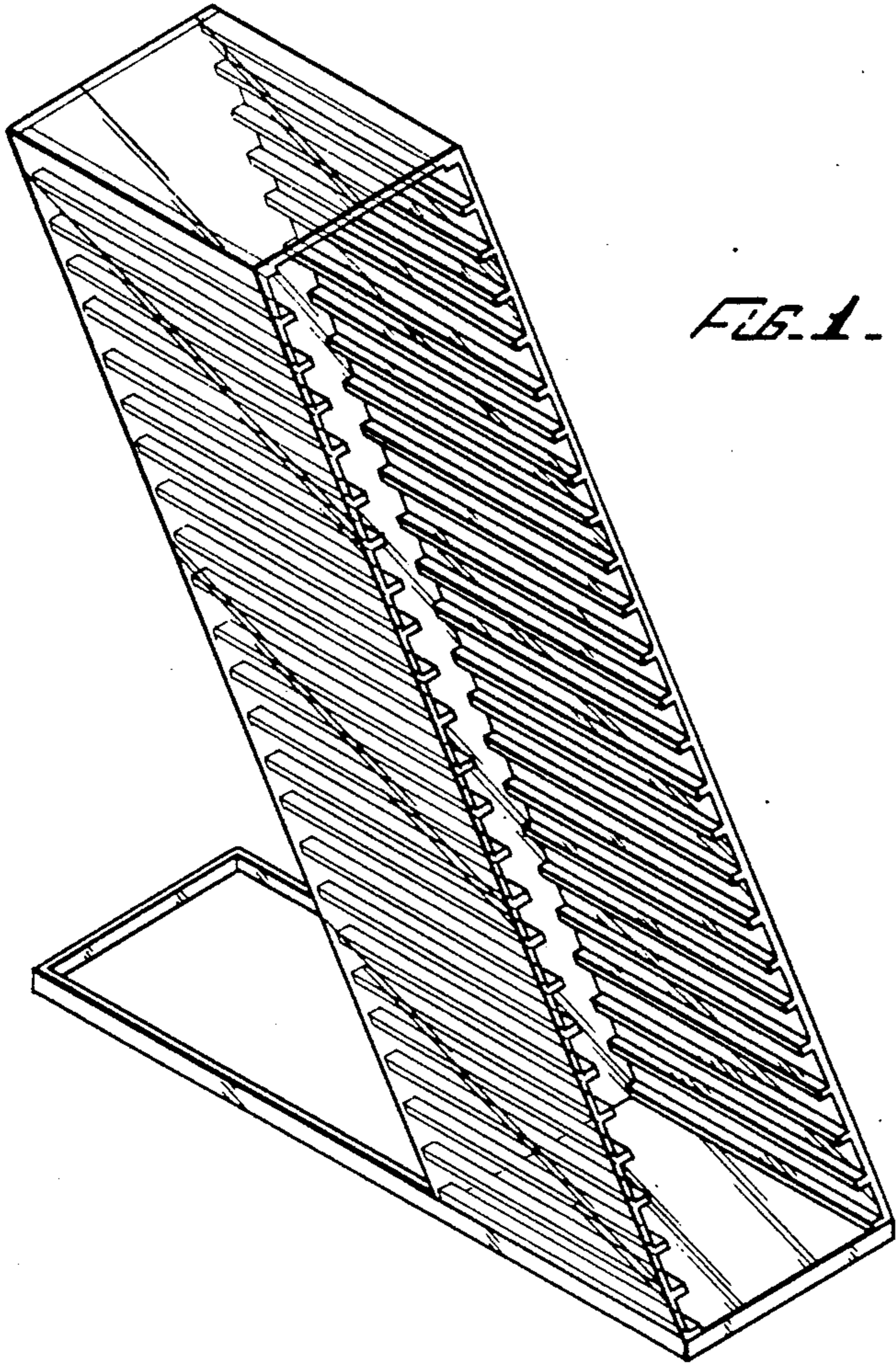
[57] **CLAIM**

The ornamental design for a holder for compact disks, as shown and described.

**DESCRIPTION**

FIG. 1 is a perspective view of a holder for compact disks showing my new design;  
FIG. 2 is a front elevational view thereof;  
FIG. 3 is a left side elevational view thereof, the right side being a mirror image;  
FIG. 4 is a rear elevational view thereof;  
FIG. 5 is a top plan view thereof;  
FIG. 6 is a bottom plan view thereof;  
FIG. 7 is a perspective view of an alternate embodiment thereof;  
FIG. 8 is a front elevational view of FIG. 7;  
FIG. 9 is a left side elevational view of FIG. 7, the right side being a mirror image;  
FIG. 10 is a rear elevational view of FIG. 7;  
FIG. 11 is a top plan view of FIG. 7; and  
FIG. 12 is a bottom plan view of FIG. 7.





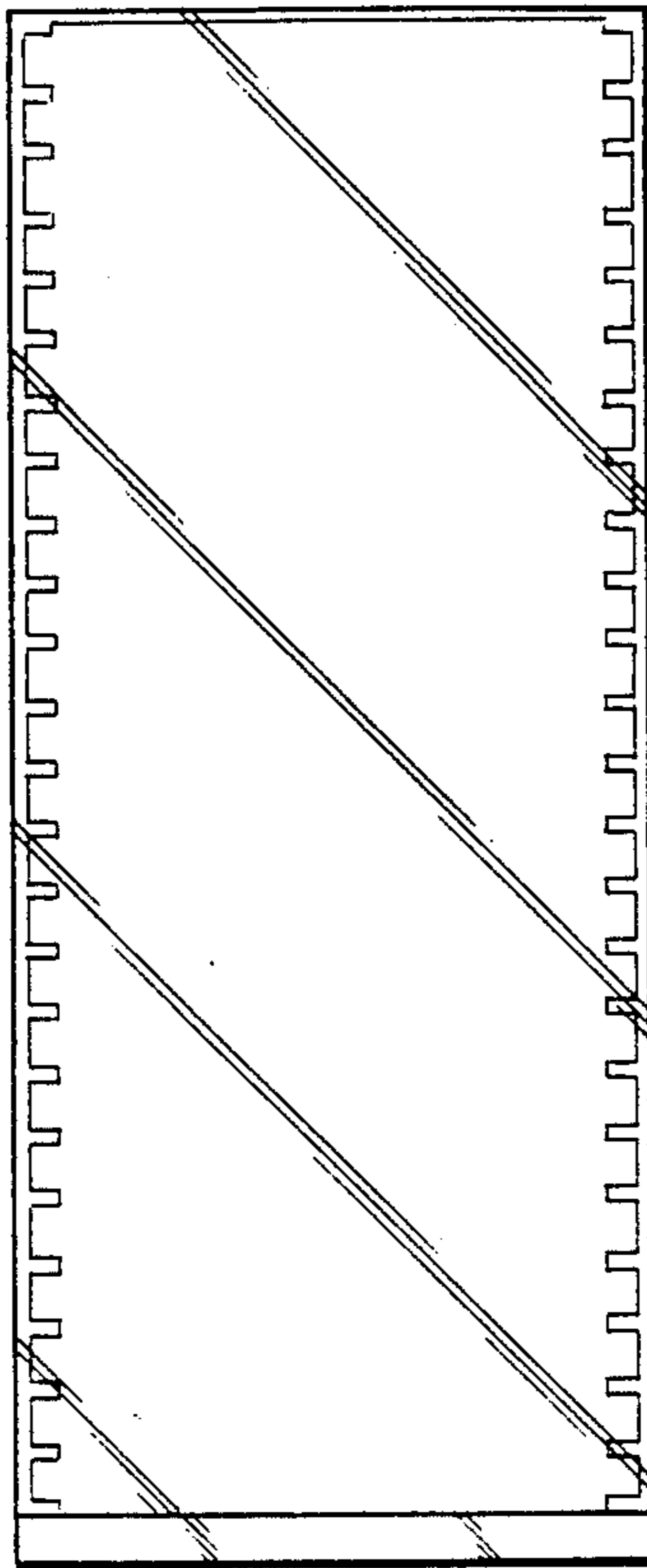


FIG. 4.

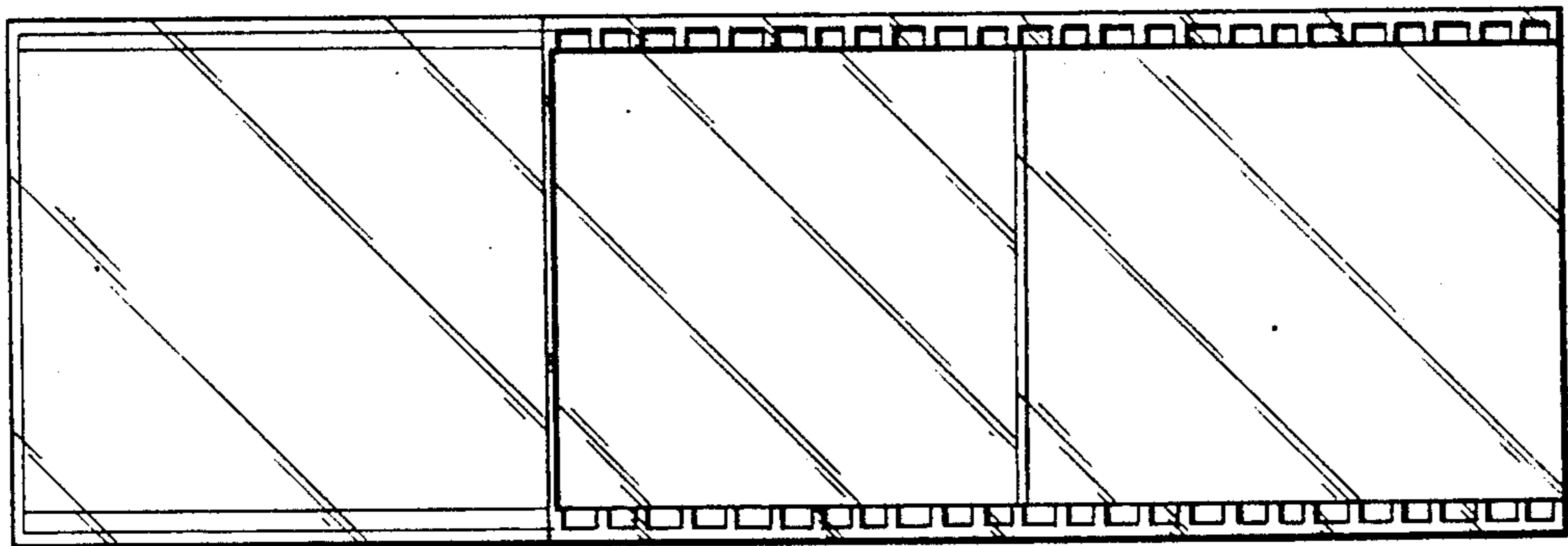
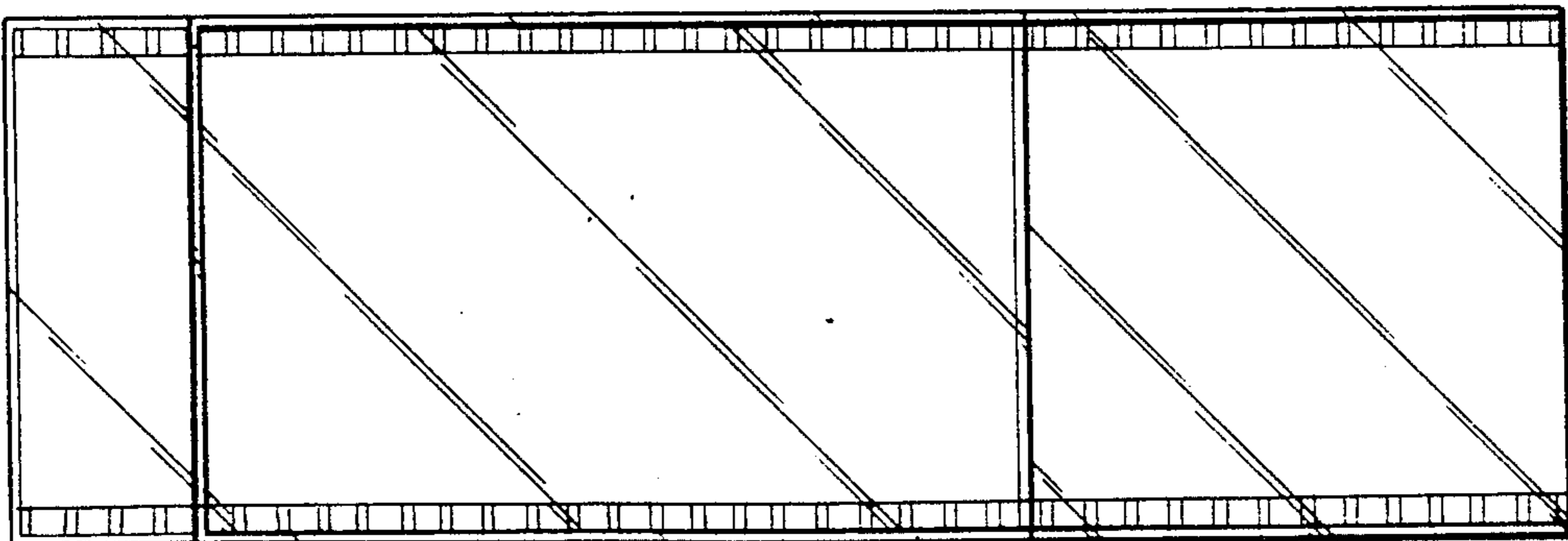


FIG. 5.

FIG. 6.



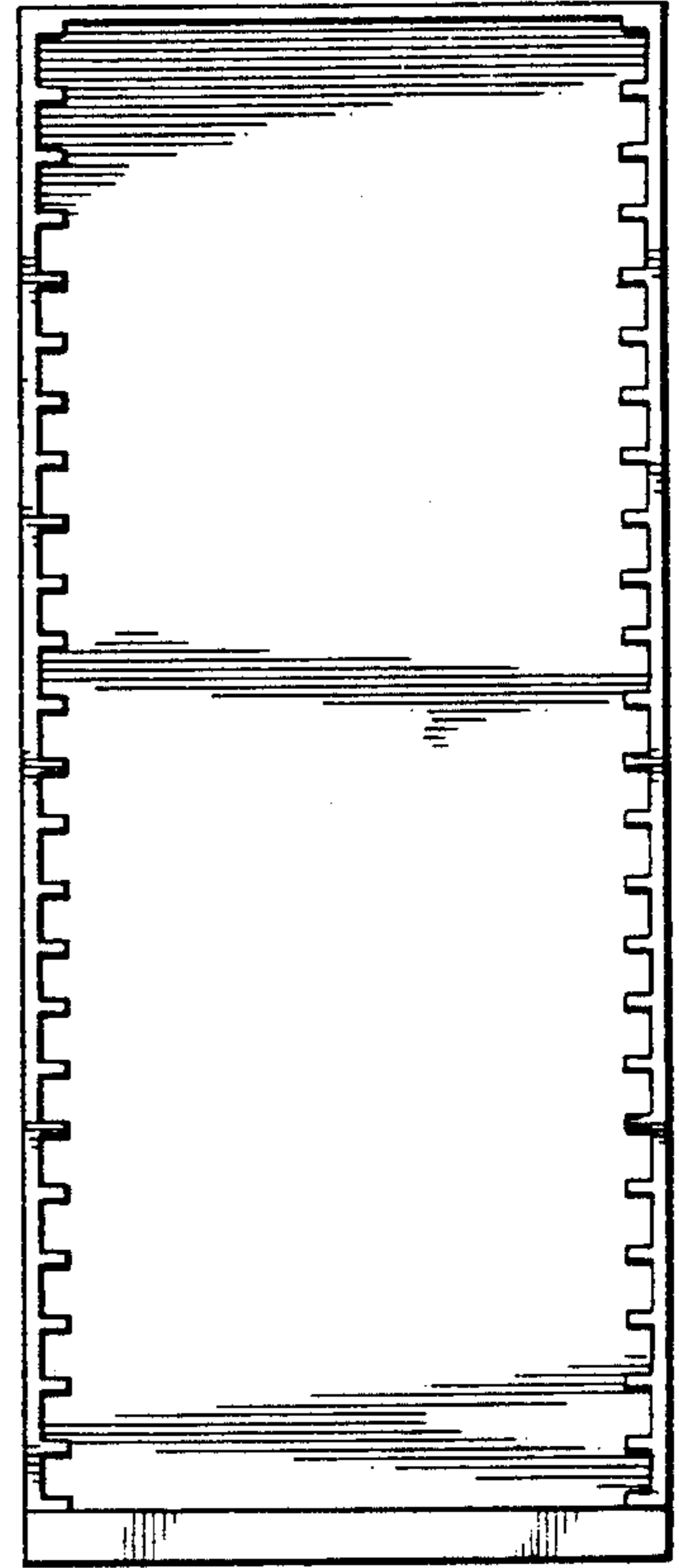
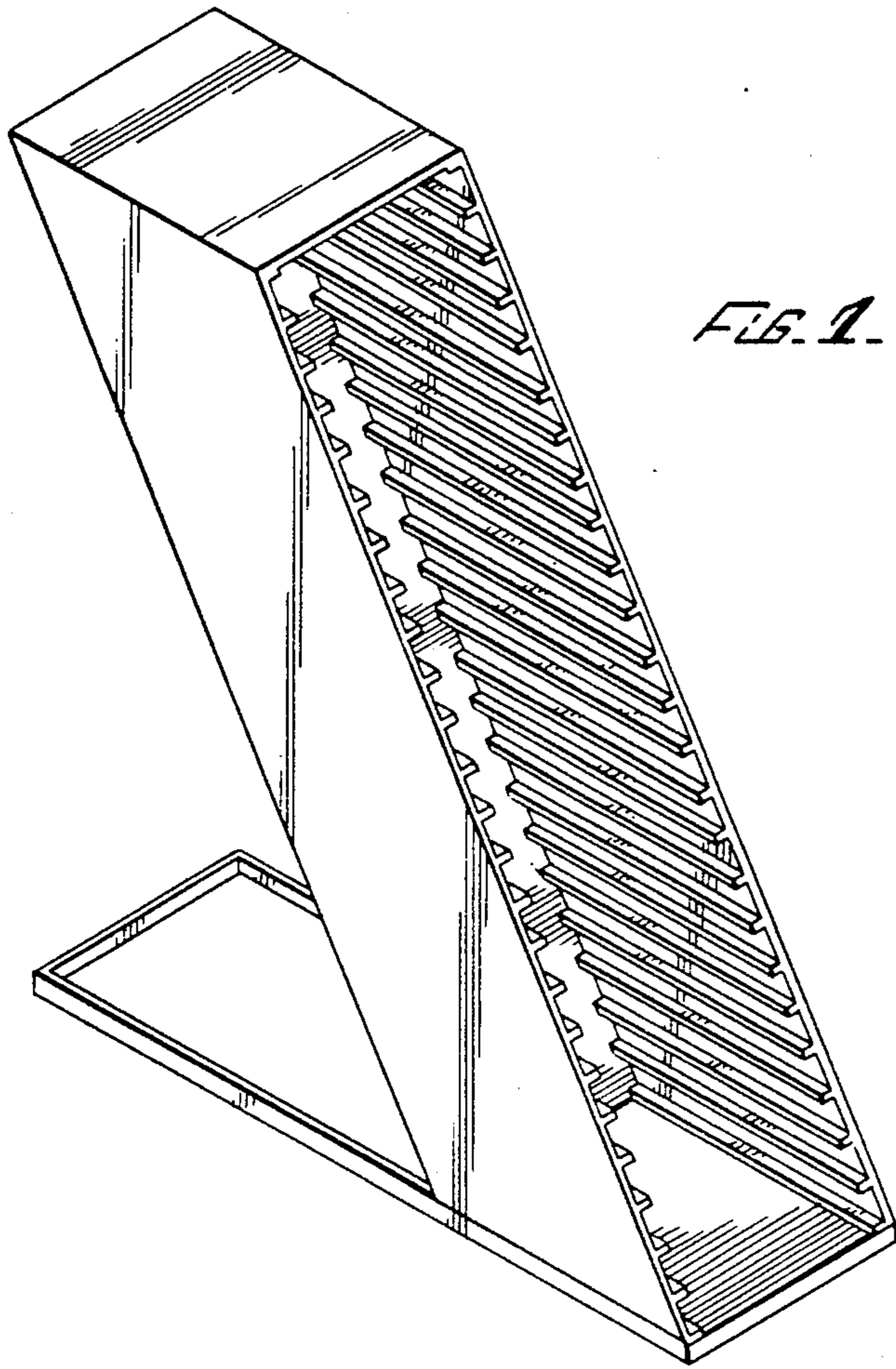


FIG. 8.

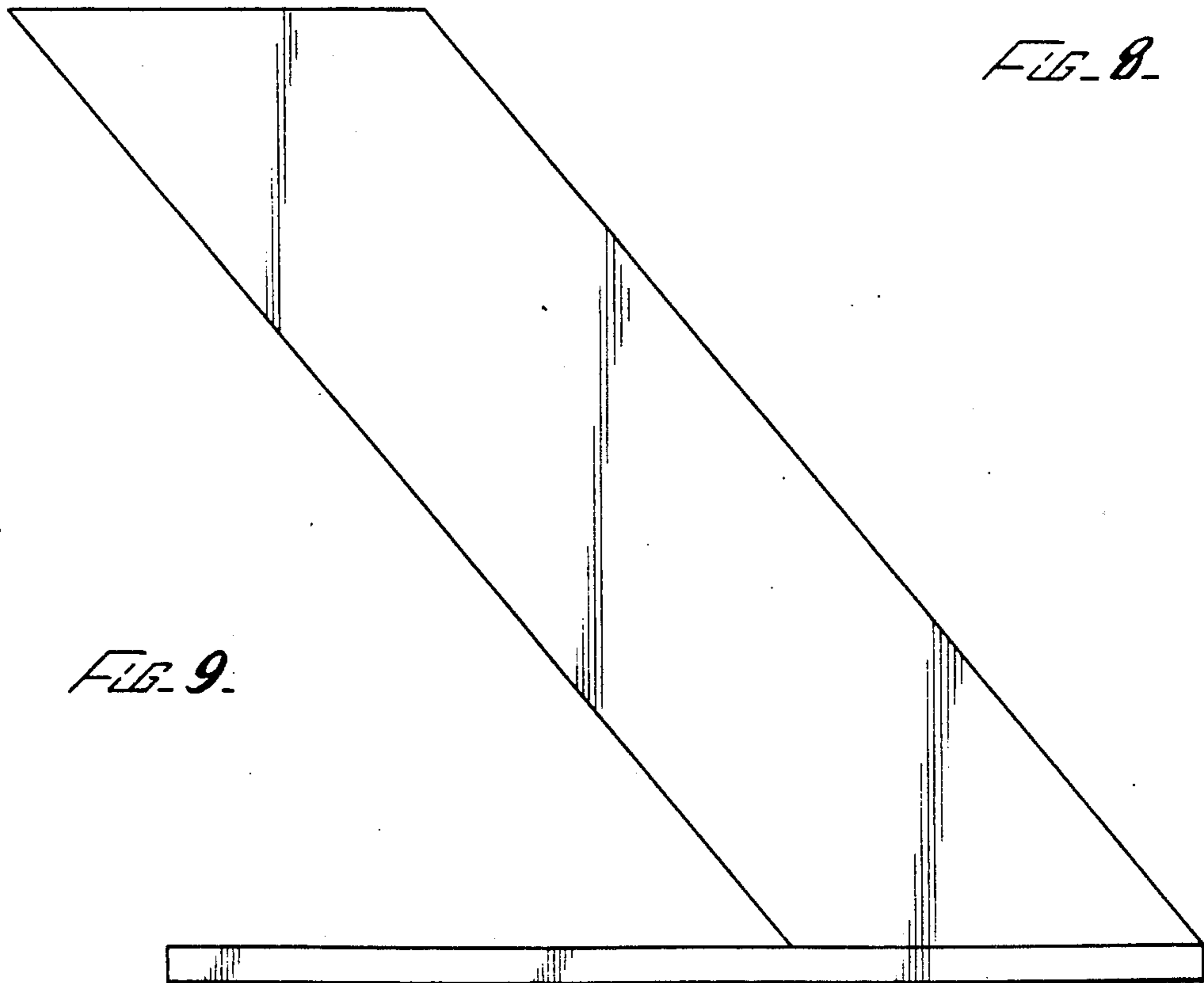


FIG. 9.

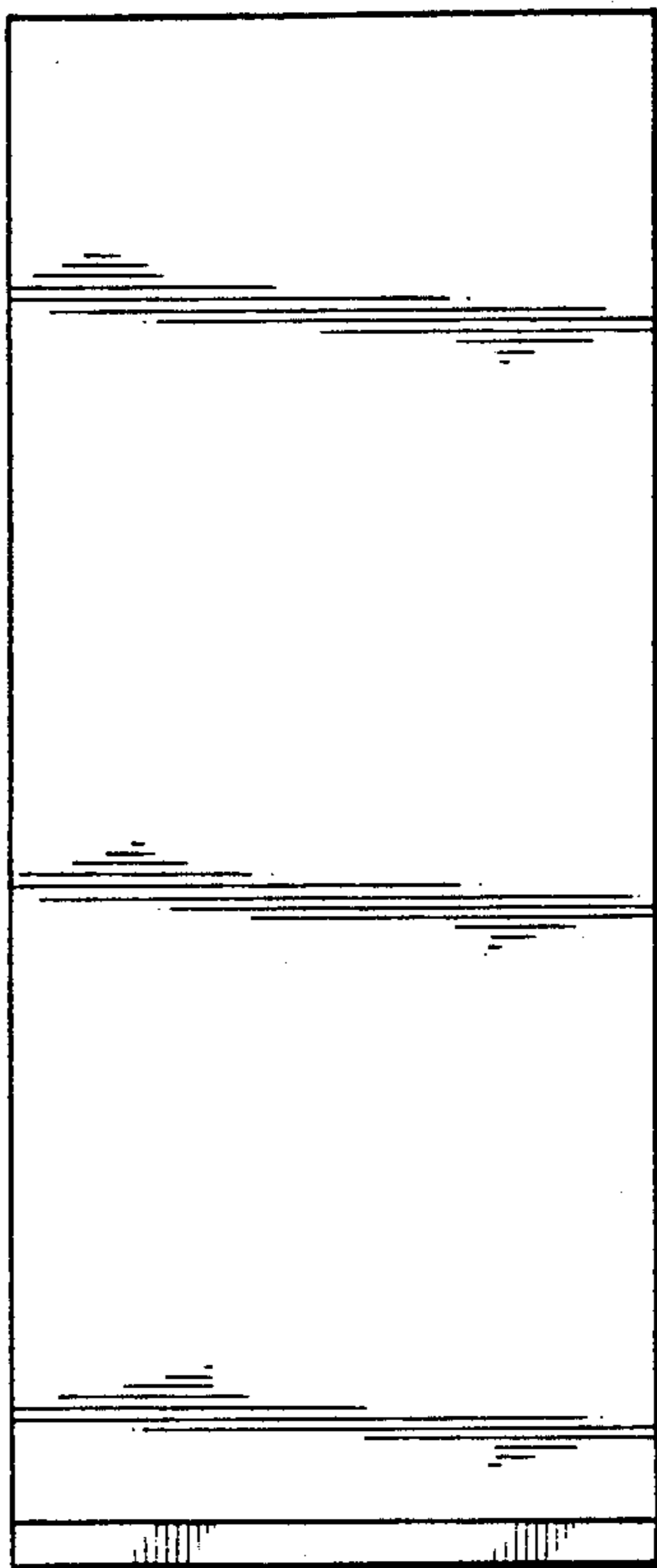


FIG. 10.

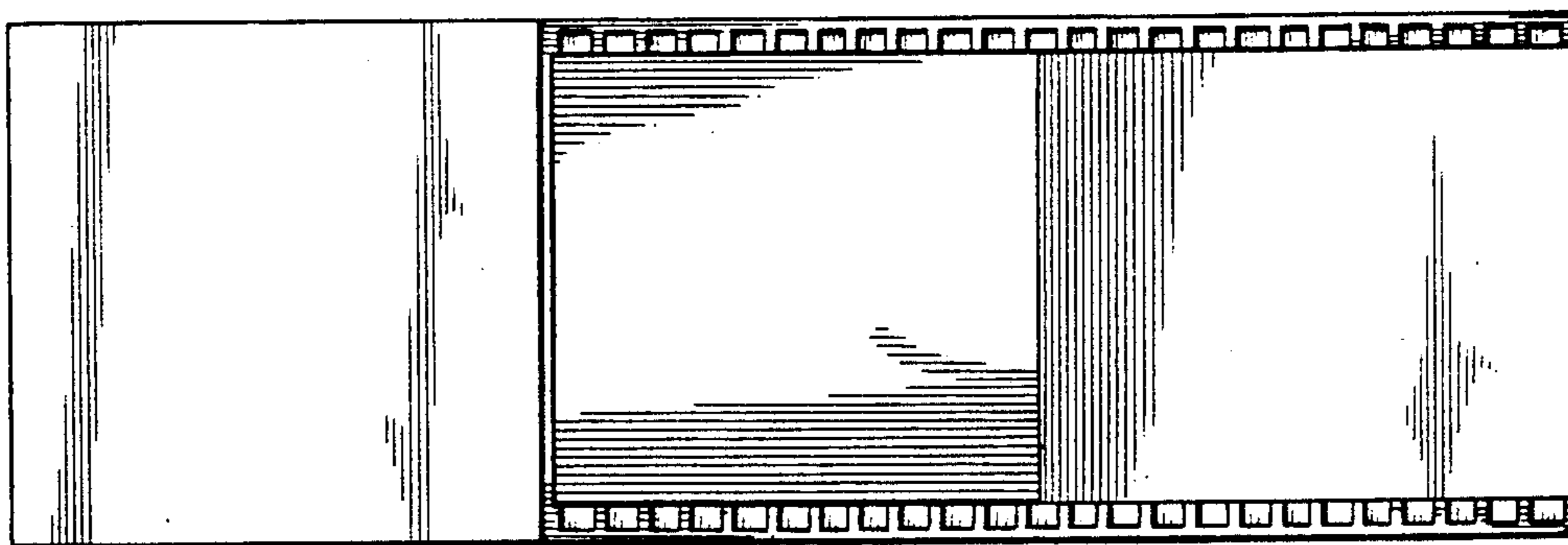


FIG. 11.

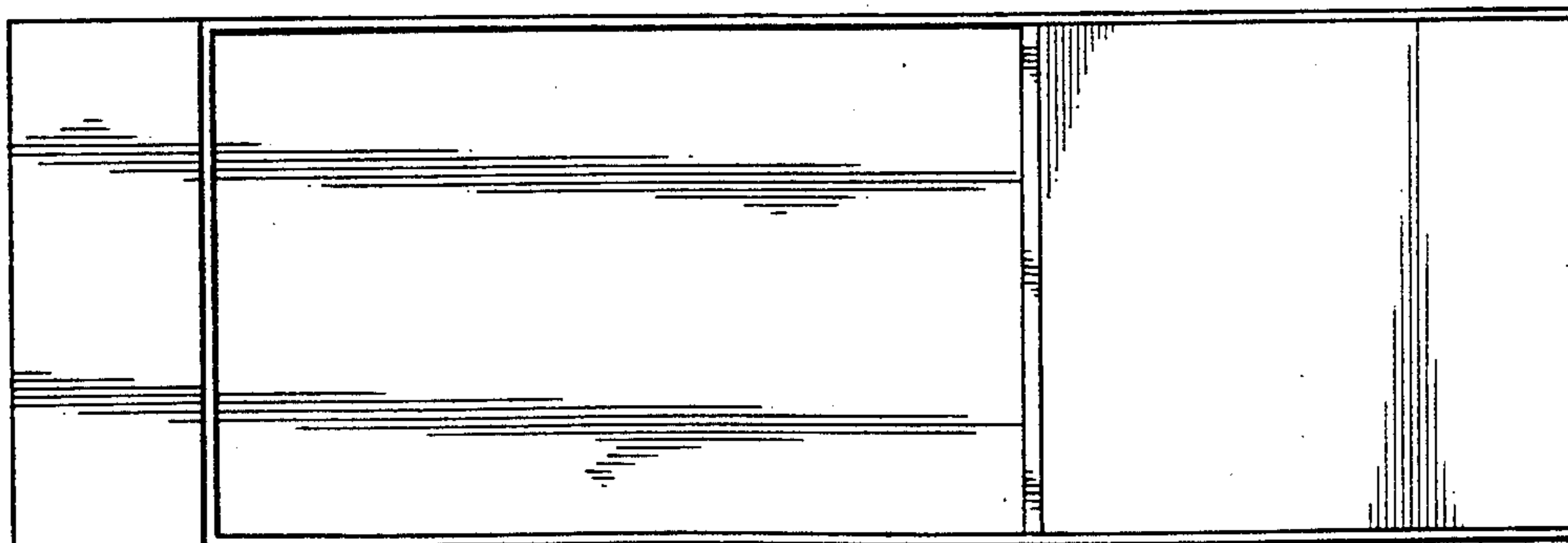


FIG. 12.