

[54] CHAIR

[75] Inventor: Steve C. Hess, Birmingham, Ala.

[73] Assignee: Winston Furniture Co., Inc., Birmingham, Ala.

[\*\*] Term: 14 Years

[21] Appl. No.: 61,389

[22] Filed: Jun. 15, 1987

[52] U.S. Cl. .... D6/370; D6/373

[58] Field of Search ..... D6/369, 370, 381, 373, D6/379

[56] References Cited

U.S. PATENT DOCUMENTS

D. 212,470	10/1968	Rutter .....	D6/370
D. 258,400	3/1981	Thorpe .....	D6/369
D. 264,529	3/1982	Olko .....	D6/369
D. 266,639	10/1982	Thorpe .....	D6/369
D. 269,483	6/1983	Olko .....	D6/369
D. 280,474	9/1985	Vanderminden .....	D6/370
D. 282,700	2/1986	Arthur, Jr. ....	D6/373
D. 285,753	9/1986	Zola .....	D6/373
D. 291,632	9/1987	Zola .....	D6/370

OTHER PUBLICATIONS

Willow & Reed Catalog, ©1970, p. 27, Sofa. Arts & Decoration, Jun. '41, p. 24. Tropitone Casual Furniture, "Jai Alai", p. 6. Outlook, Spring, 1989 (Published by the Summer & Casual Furniture Makers Assn.), cover page. "Extra! Extra!", 1989-1990 Selling Season, Winston Line Drawings and Sample Copy, Eclipse, p. 10.

Primary Examiner—Bruce W. Dunkins  
Assistant Examiner—Ann Hunt  
Attorney, Agent, or Firm—Bell, Seltzer, Park & Gibson

[57] CLAIM

The ornamental design for a chair, as shown and described.

DESCRIPTION

FIG. 1 is a side elevational view of a chair embodying my new design;  
FIG. 2 is a front elevational view thereof;  
FIG. 3 is a top plan view thereof;  
FIG. 4 is a bottom plan view thereof, and  
FIG. 5 is a rear elevational view thereof.  
The side opposite that which is illustrated in FIG. 1 is a mirror image of FIG. 1.

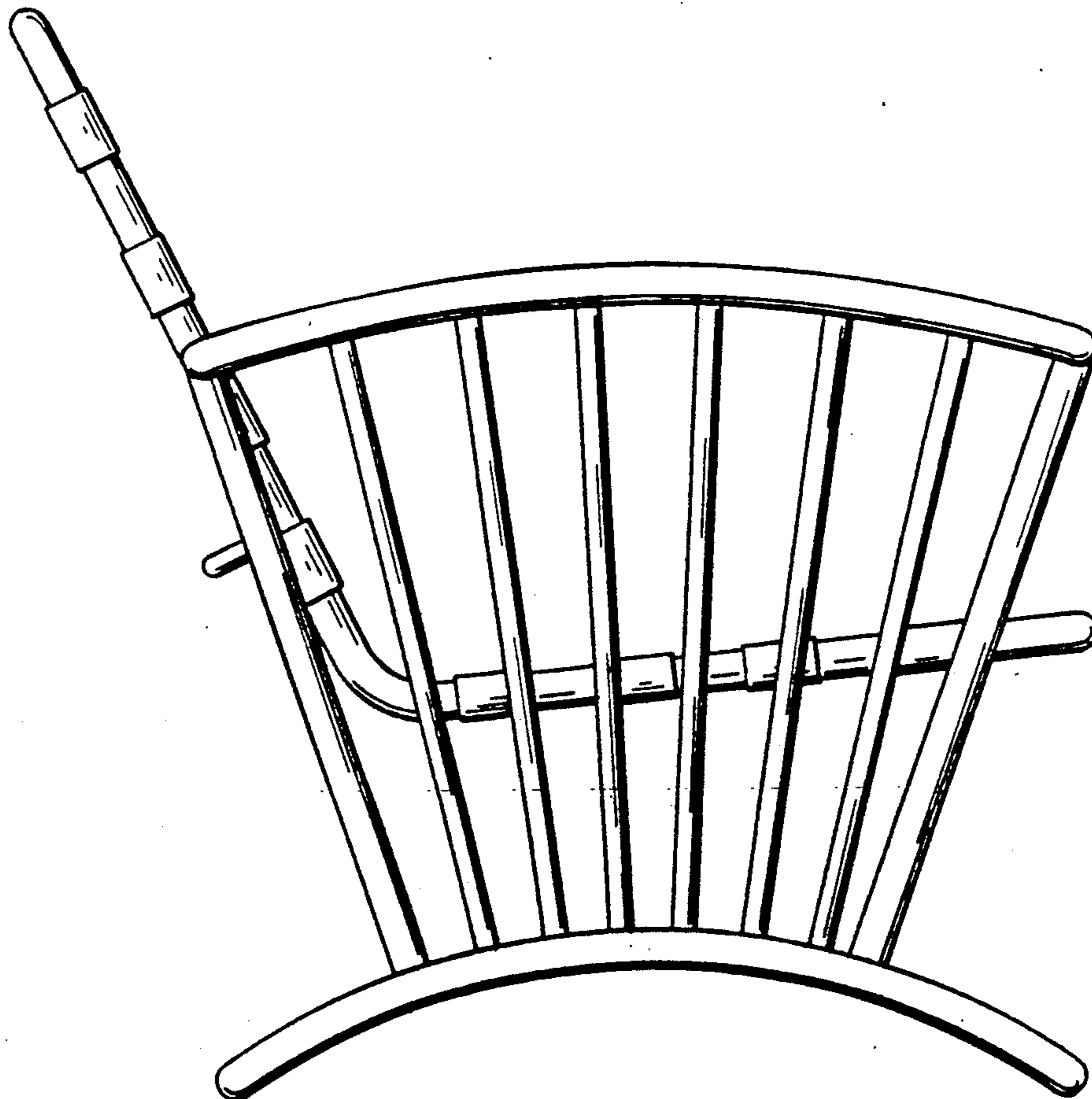


FIG 1

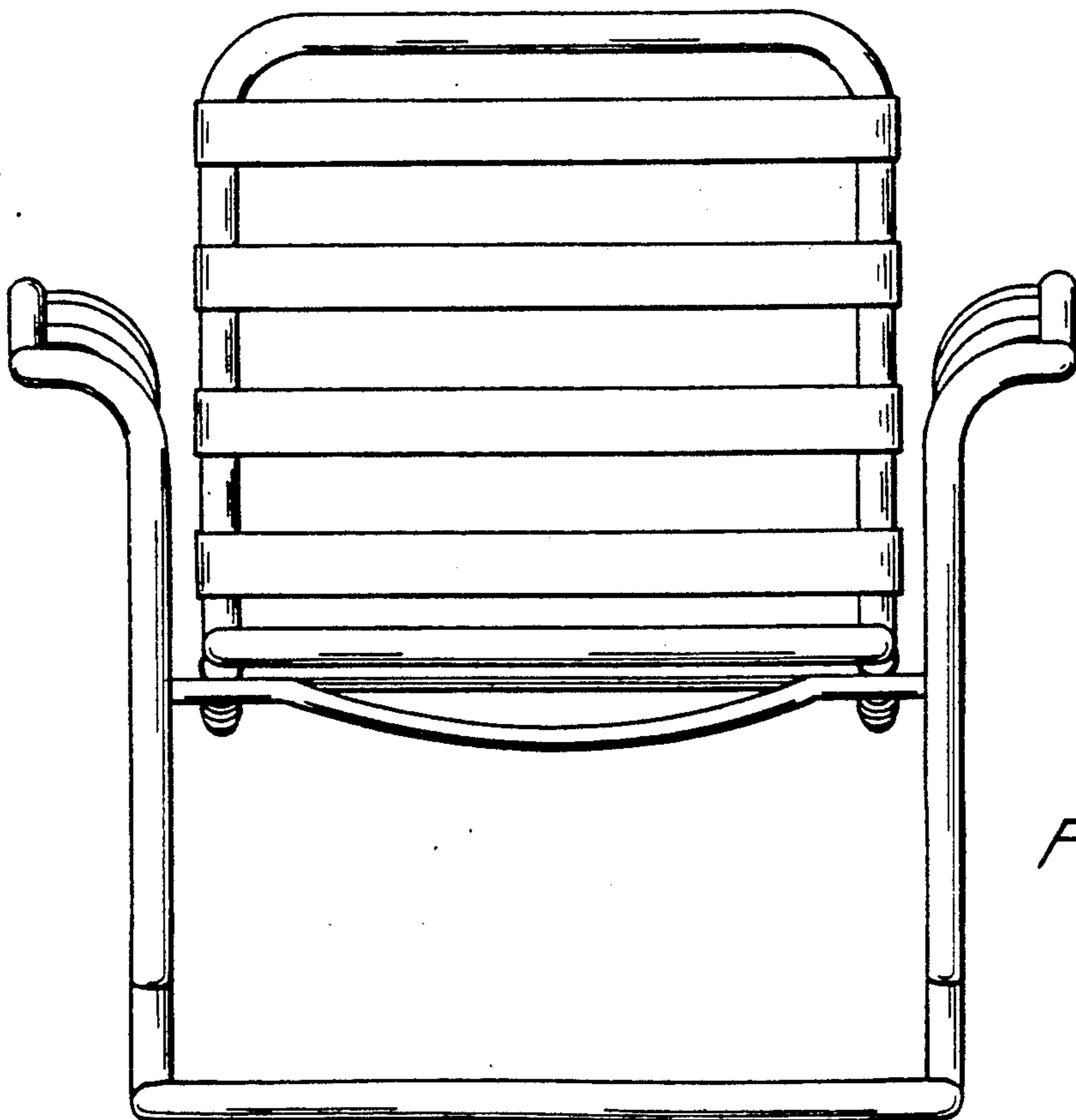
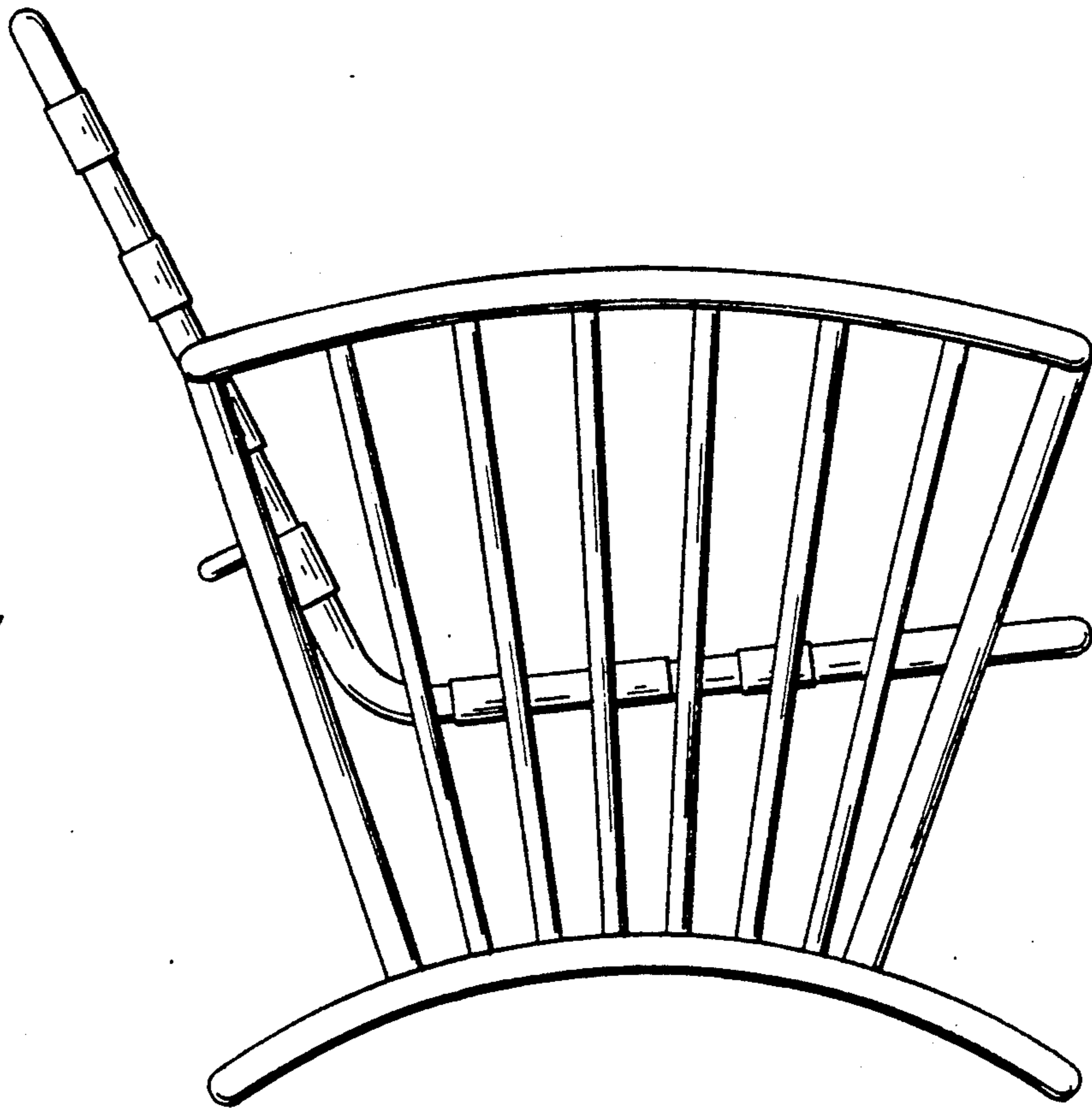


FIG 2

FIG 3

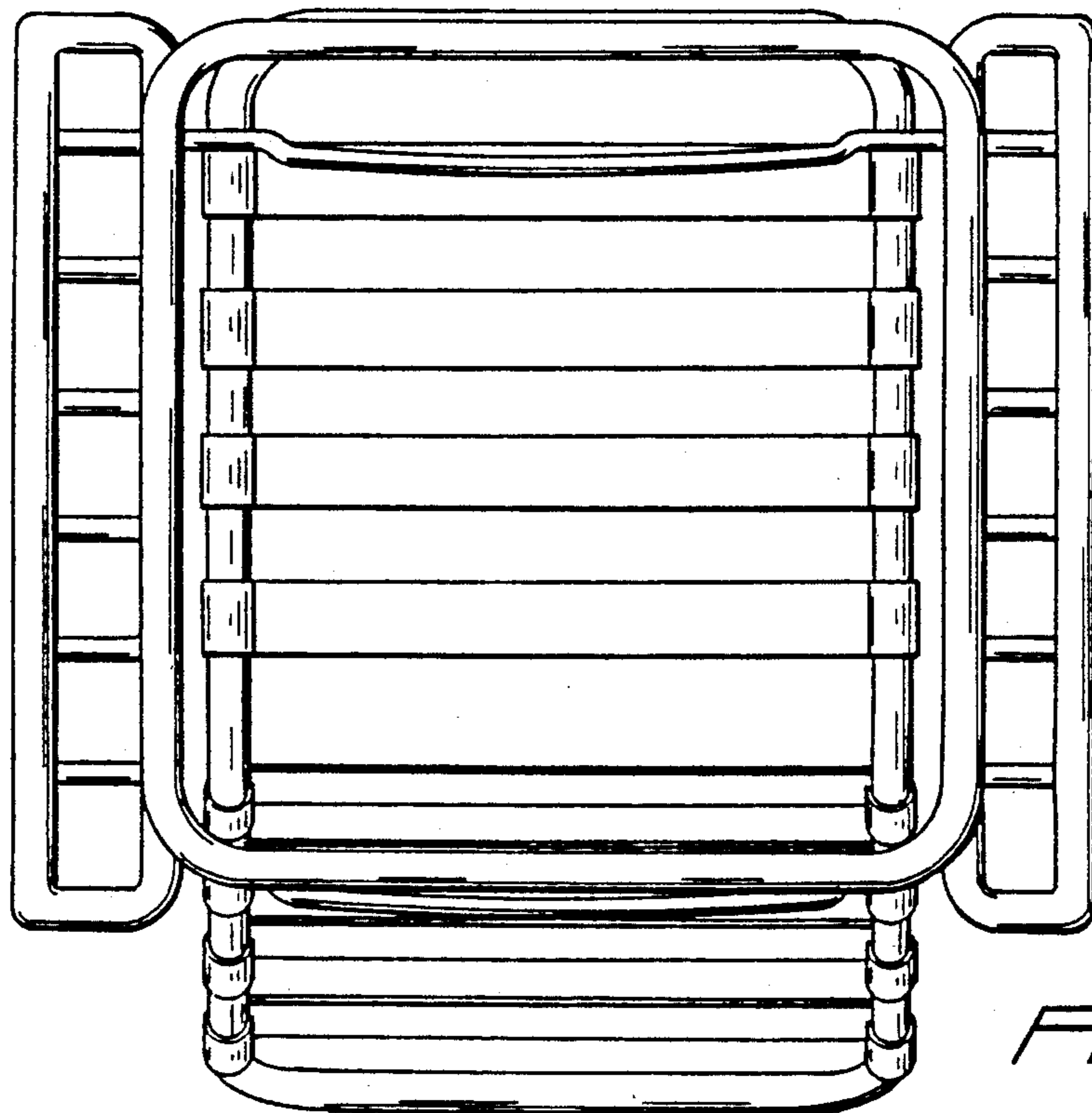
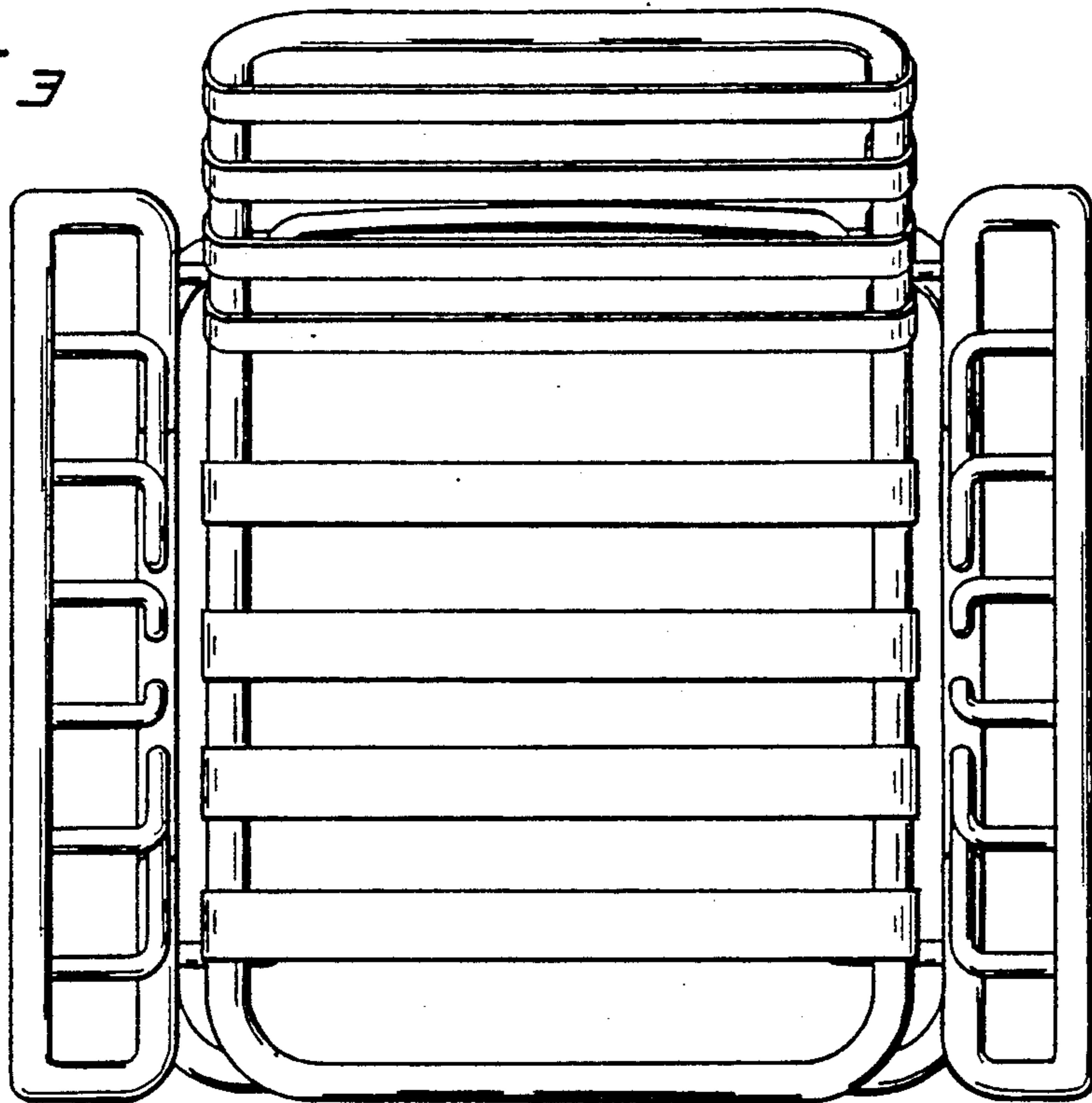


FIG 4

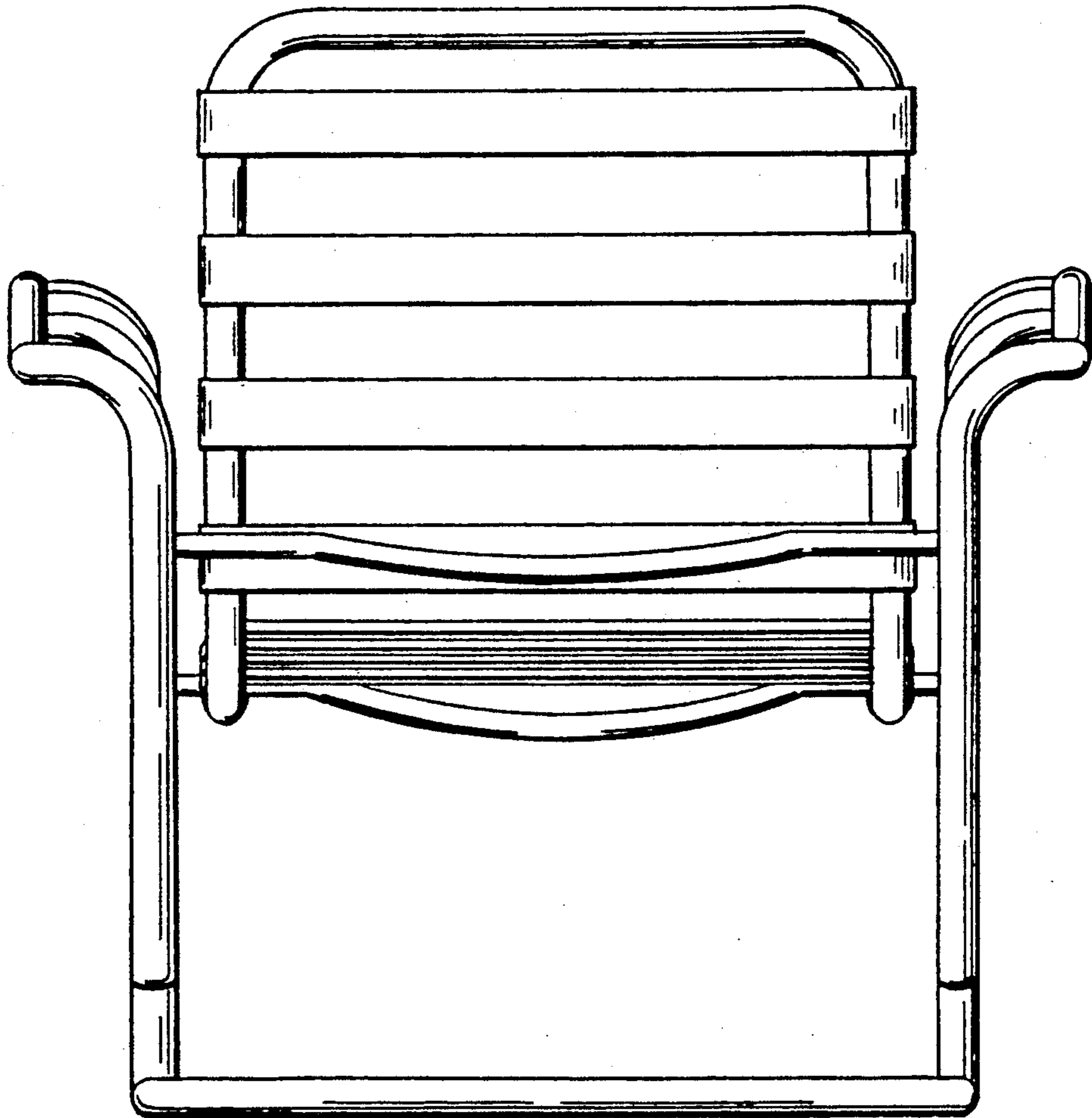


FIG 5