

[54] ARMCHAIR

[75] Inventor: Tetsuya Narita, Funabashi, Japan

[73] Assignee: Okamura Corporation, Kanagawa, Japan

[**] Term: 14 Years

[21] Appl. No.: 147,919

[22] Filed: Mar. 22, 1988

[52] U.S. Cl. D6/366

[58] Field of Search D6/379, 380, 366

[56] References Cited

U.S. PATENT DOCUMENTS

- D. 233,809 12/1974 Platner D6/375
- D. 295,925 5/1988 Uredat-Neuhoff D6/366
- D. 298,188 10/1988 Hensel D6/366
- D. 298,593 11/1988 Vogtherr D6/366

OTHER PUBLICATIONS

- Interiors*, May 1981, p. 5, Giroflex Chair.
- Interiors*, Jul. 1981, p. 39, Curtis Chair.
- Steelcase Catalog, Mar. 1983, p. 12, Chair.
- Interiors*, Jun. 1985, p. 39, Gunlocke Chair.
- Interiors*, 3/1987, pp. 46-47, Chair shown at far right, on p. 47.

Interiors, 6/1987, pp. 38-39, Chair shown at far left, on p. 38.

Japanese Magazine, "Shitsunai", issued on May, 1985, p. 12.

American Magazine, "Interiors" Issued on Sep., 1985, p. 87.

French Magazine, "Bureaux", Issued on Sep., 1985, p. 7.

French Magazine, "Bureaux", Issued on Apr., 1985, p. 90.

French Magazine, "Bureaux", issued on Nov., 1985, pp. 4 and 5.

Primary Examiner—Bruce W. Dunkins

Assistant Examiner—Gary D. Watson

Attorney, Agent, or Firm—Poms, Smith, Lande & Rose

[57] CLAIM

The ornamental design for an armchair, as shown.

DESCRIPTION

FIG. 1 is a front perspective view of the chair showing my new design;

FIG. 2 is a front elevational view;

FIG. 3 is a right side elevational view;

FIG. 4 is a rear elevational view;

FIG. 5 is a top plan view; and

FIG. 6 is a bottom plan view thereof.



FIG. 1



FIG. 2

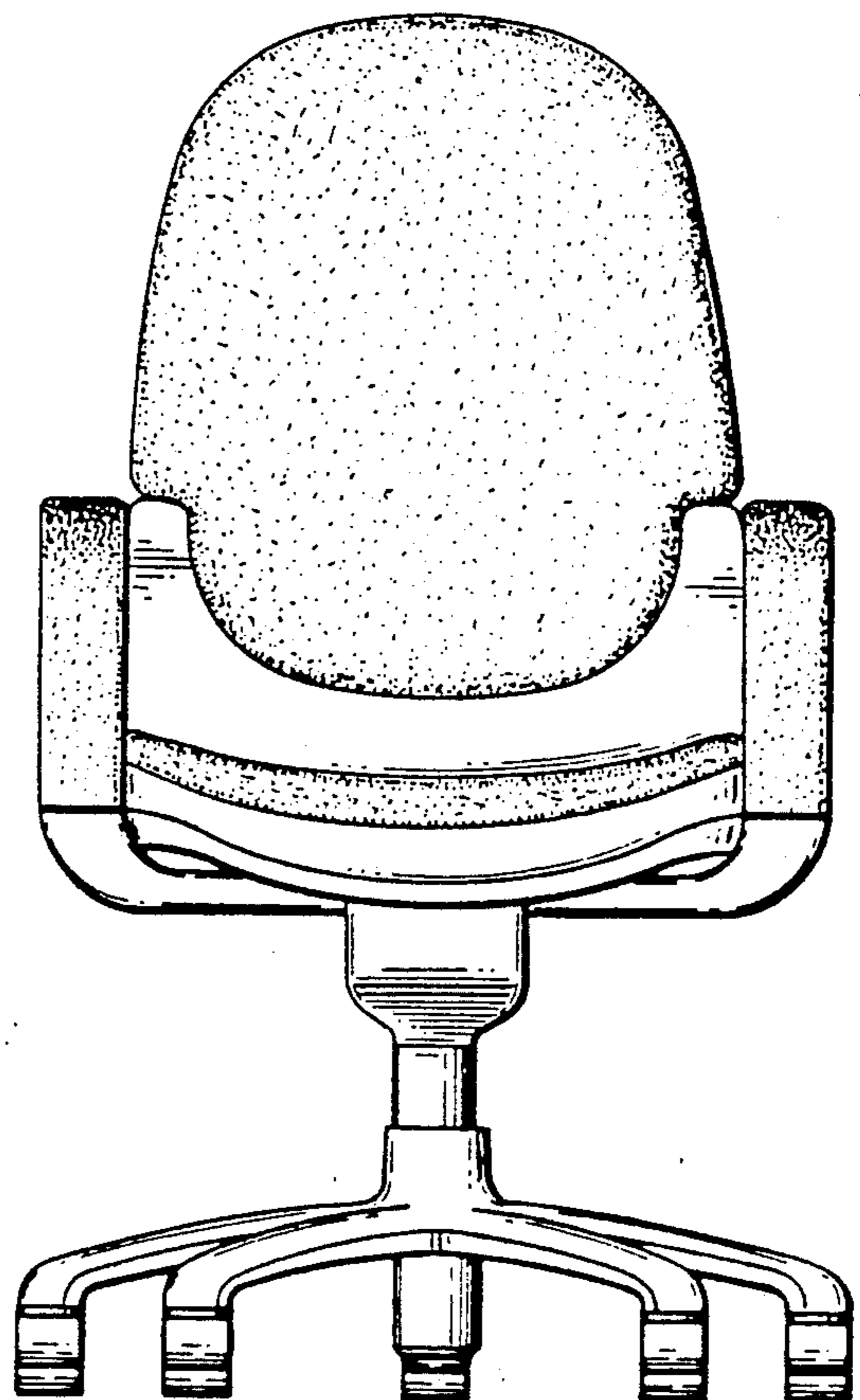


FIG. 3

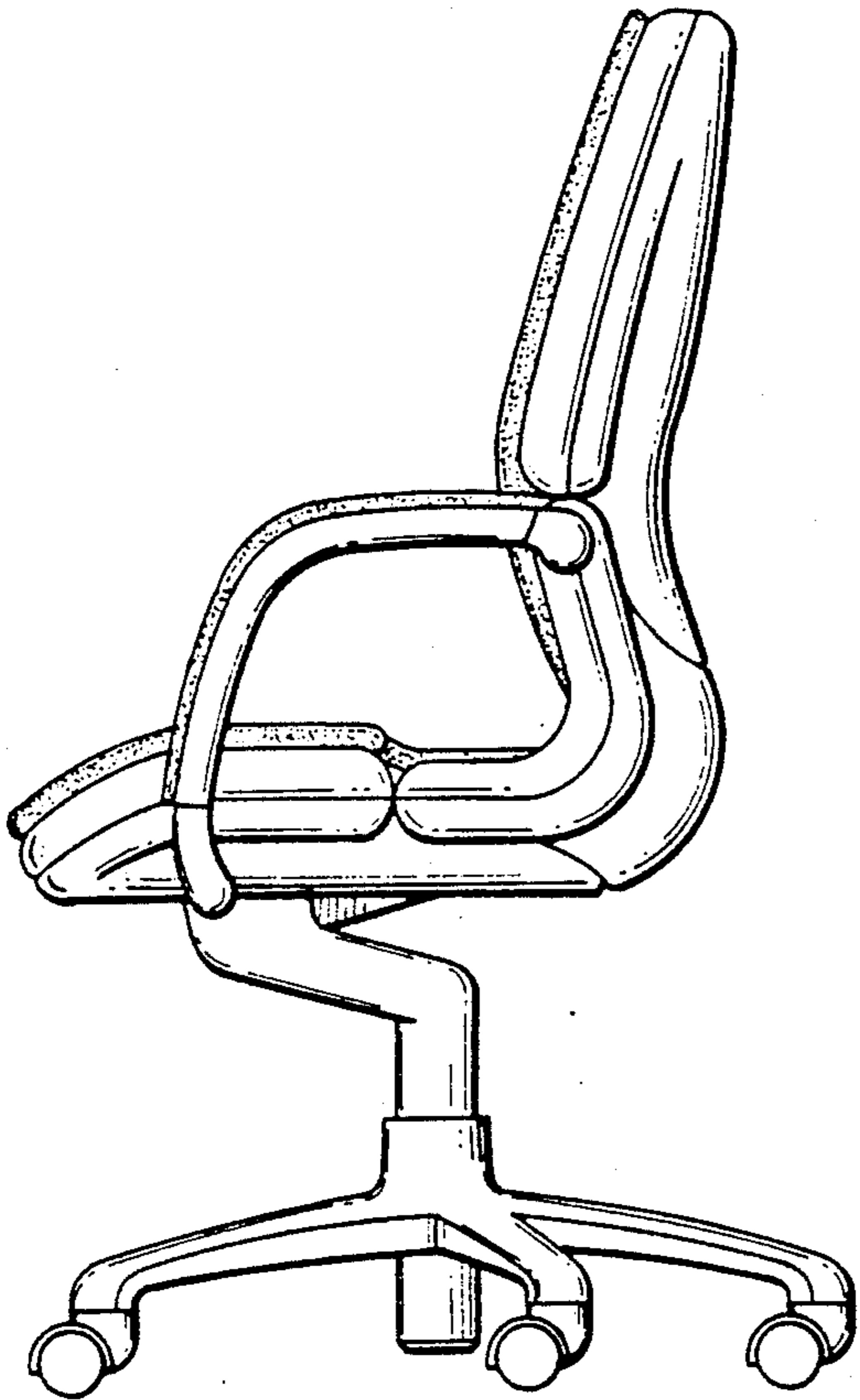


FIG. 4

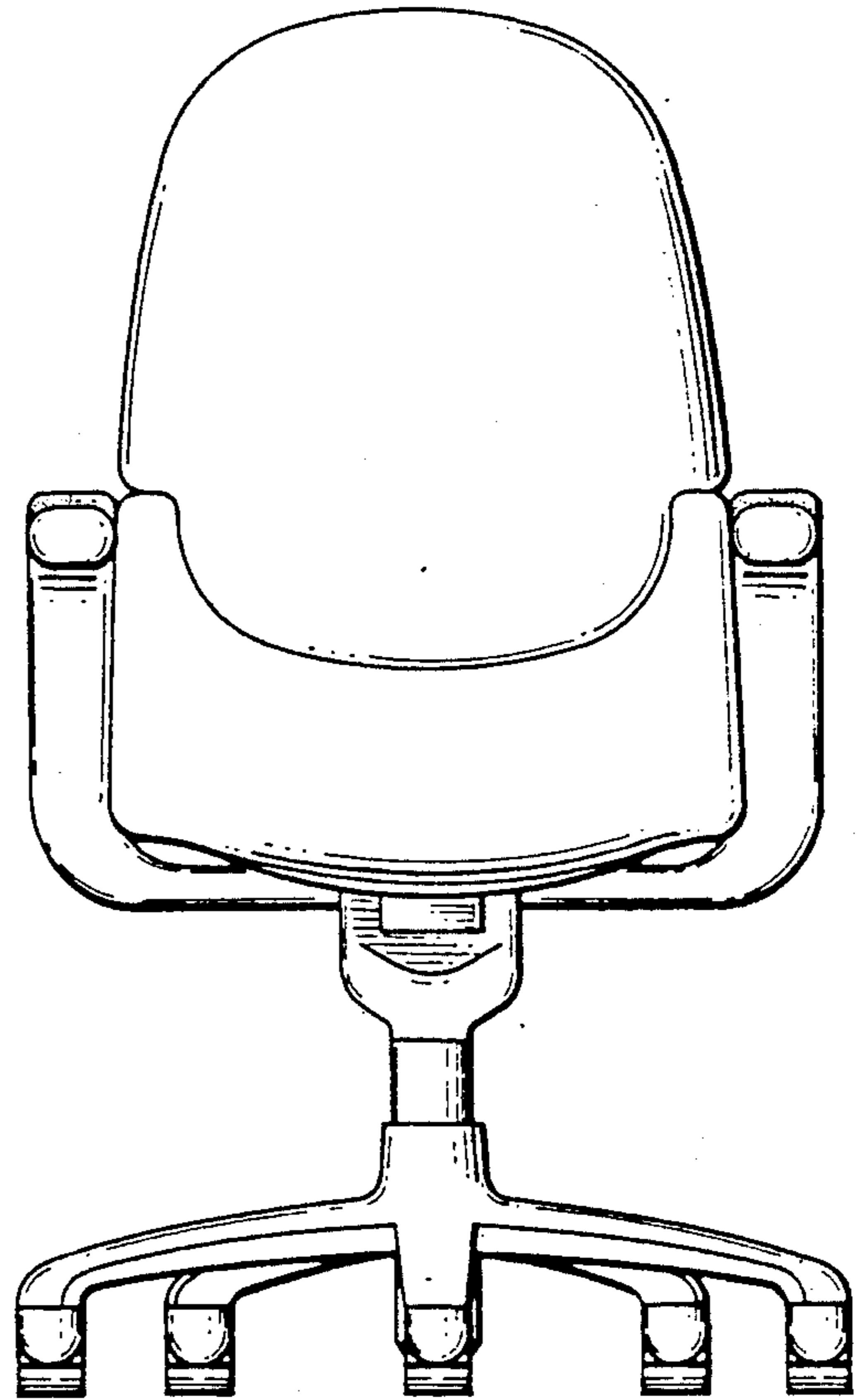


FIG. 5

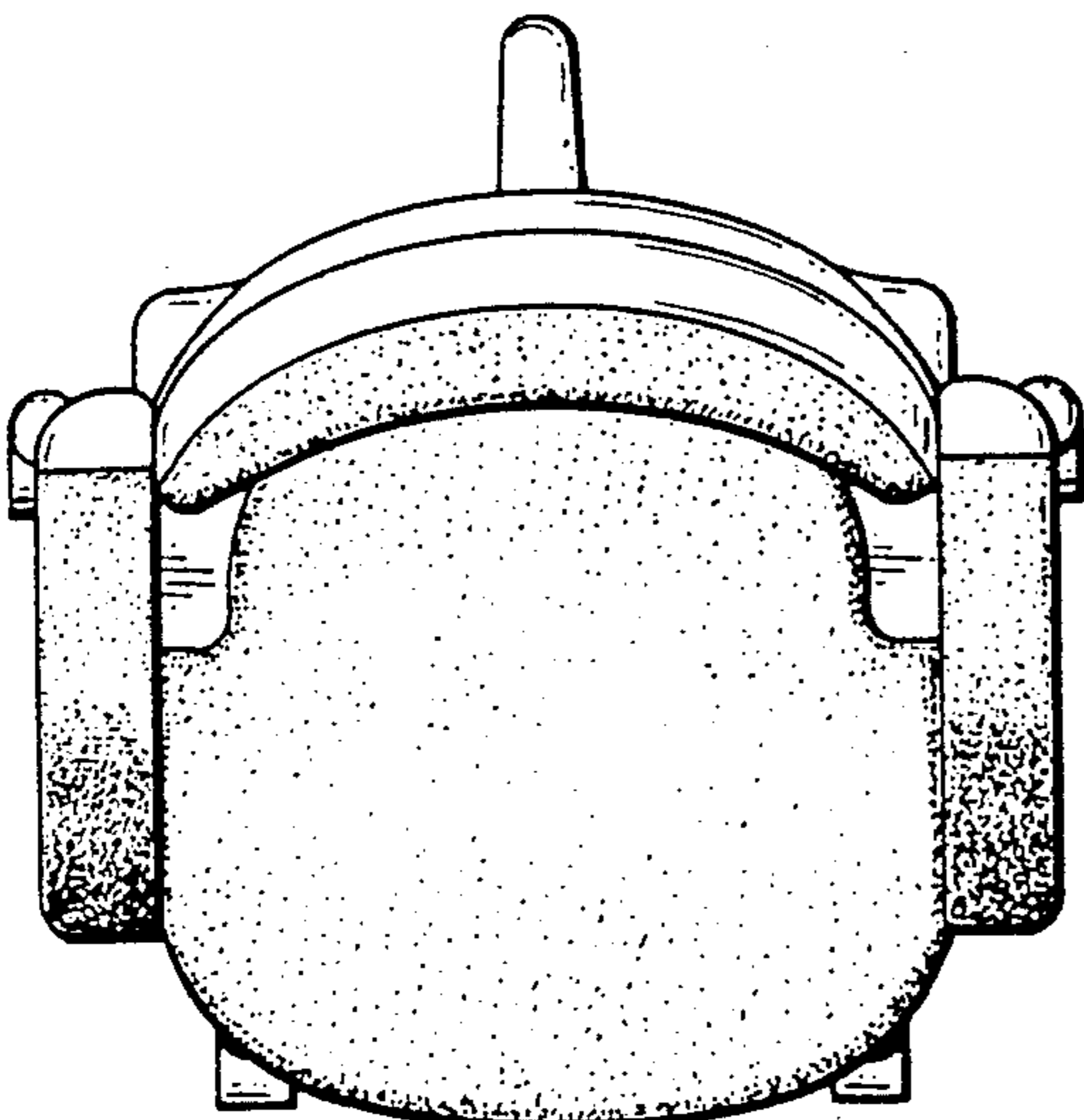


FIG. 6

