

[54] TOOTHBRUSH  
 [76] Inventors: Milton Hodosh; Steven H. Hodosh;  
 Alex J. Hodosh, all of 243 Elmwood  
 Ave., Providence, R.I. 02907  
 [\*\*] Term: 14 Years  
 [21] Appl. No.: 356,529  
 [22] Filed: May 23, 1989  
 [52] U.S. Cl. .... D4/104  
 [58] Field of Search ..... D4/100-114,  
 D4/130, 132, 134, 136, 138, 199; D24/10-11;  
 D28/64; 15/105-106, 143 R, 159 R, 159 A,  
 160, 167.1-167.3, 176.1-176.6; 132/308-311

4,411,041 10/1983 Braga ..... 15/167.1

FOREIGN PATENT DOCUMENTS

2544597 10/1984 France ..... 15/176.4

Primary Examiner—Wallace R. Burke  
 Assistant Examiner—Lavone D. Tabor  
 Attorney, Agent, or Firm—Salter & Michaelson

[56] References Cited  
 U.S. PATENT DOCUMENTS

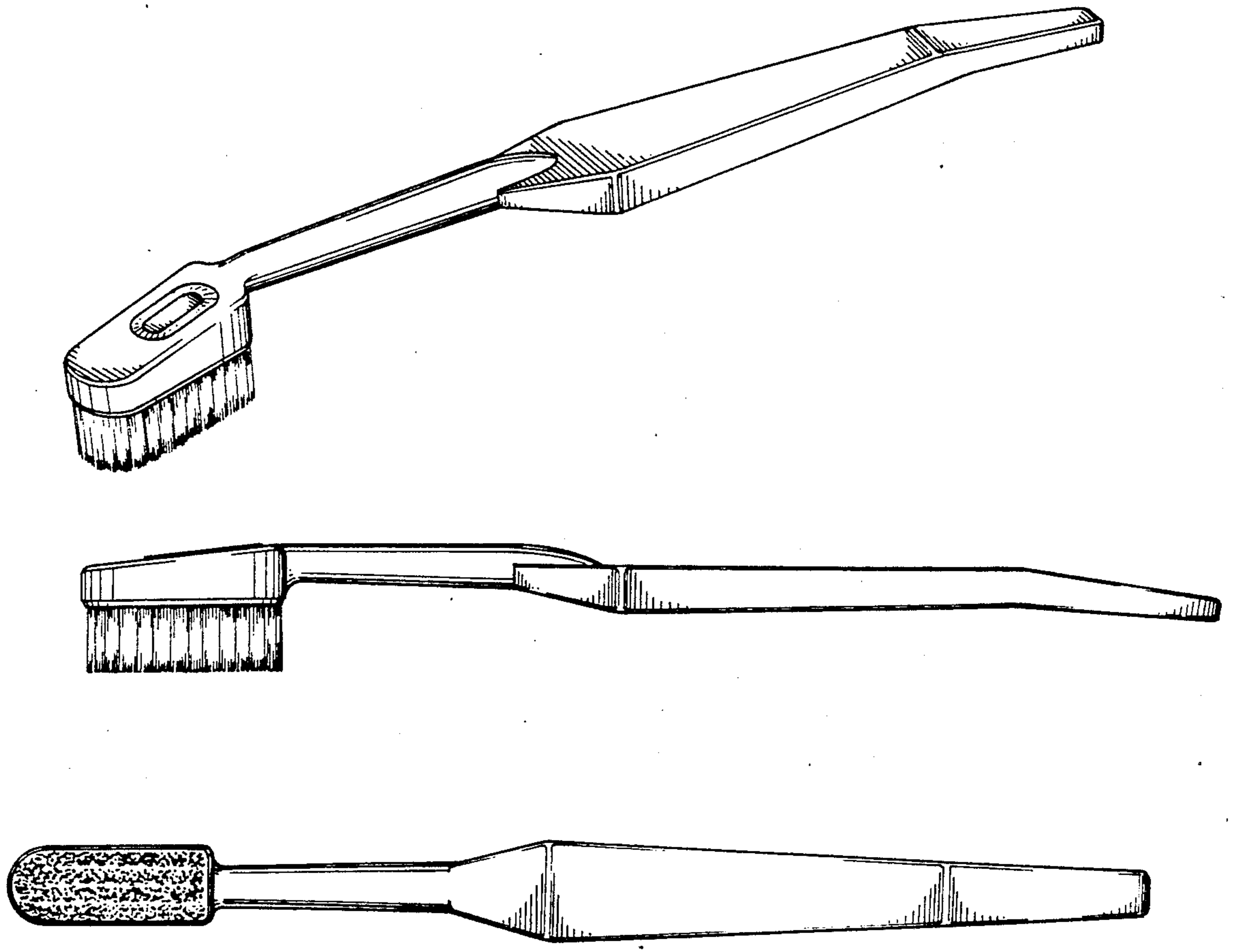
- D. 118,268 12/1939 Salit ..... D4/104
- D. 141,350 5/1945 Alexander et al. .... D4/104
- D. 160,101 9/1950 MacDonald ..... D4/104
- D. 192,025 1/1962 Rudnick ..... D4/104
- D. 292,448 10/1987 Vianello ..... D4/104
- D. 309,375 7/1990 Ahlstoem et al. .... D4/104

[57] CLAIM

The ornamental design for a toothbrush, as shown and described.

DESCRIPTION

FIG. 1 is a perspective view of a toothbrush showing our new design;  
 FIG. 2 is a top plan view thereof;  
 FIG. 3 is a side elevational view thereof the opposite side being a mirror image;  
 FIG. 4 is a bottom plan view thereof;  
 FIG. 5 is a front elevational view thereof; and  
 FIG. 6 is a rear elevational view thereof.  
 The bristles are partially shown in FIGS. 1, 3, 5, and 6 for ease of illustration.



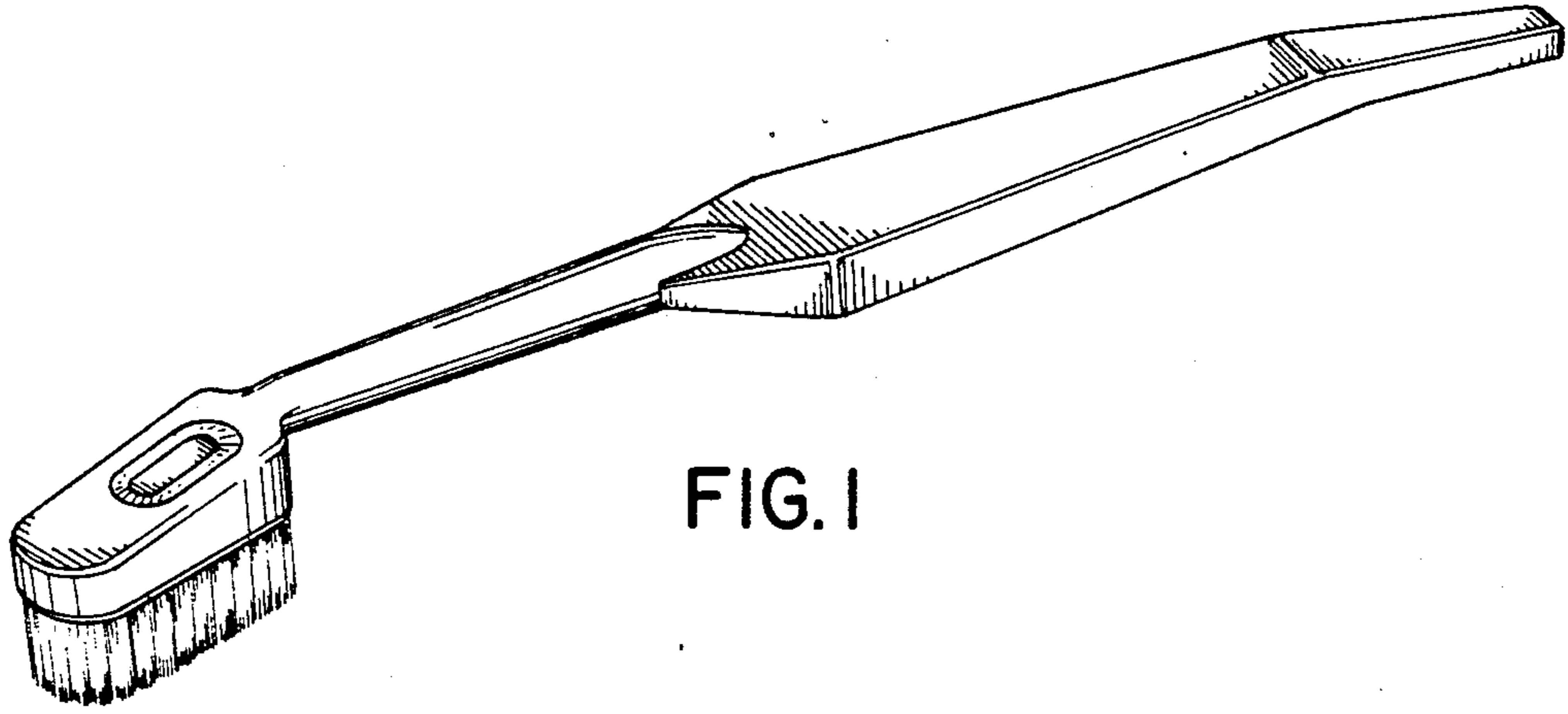


FIG. 1

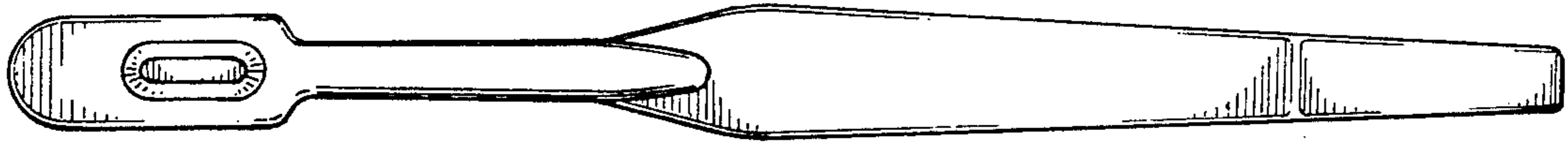


FIG. 2

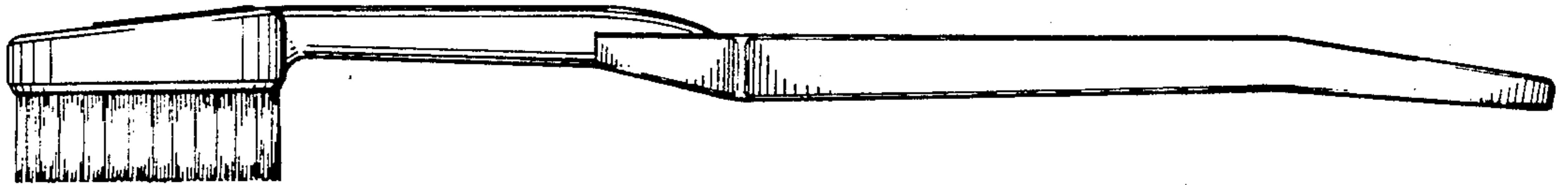


FIG. 3



FIG. 4

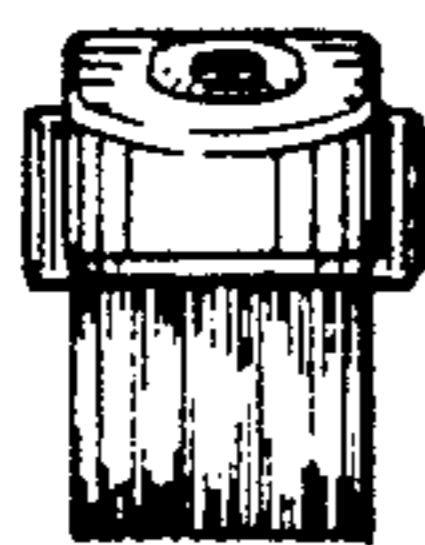


FIG. 5



FIG. 6