

[54] CARRYING CASE

[75] Inventors: Donald R. Reynolds, Jr., Wake County, N.C.; Thomas J. Chipley, Fauquier County, Va.

[73] Assignee: Southern Case, Inc., Raleigh, N.C.

[**] Term: 14 Years

[21] Appl. No.: 286,502

[22] Filed: Dec. 19, 1988

[52] U.S. Cl. D3/76; D3/30.1

[58] Field of Search D3/76, 74, 72, 71, 73, D3/75, 78, 50, 52, 56, 38; 150/147; 190/110, 112, 16, 122, 100, 109, 902, 900, 901, 102, 119, 107, 15.1, 115

[56] References Cited

U.S. PATENT DOCUMENTS

- D. 202,702 11/1965 Wise D3/76
- D. 235,428 6/1975 Hart D3/76 X

- D. 298,486 11/1988 Jain D3/76
- 2,510,643 6/1950 Long D3/76 X
- 3,298,479 1/1967 Palmer D3/76 X
- 3,330,389 7/1967 Kaplan 190/115

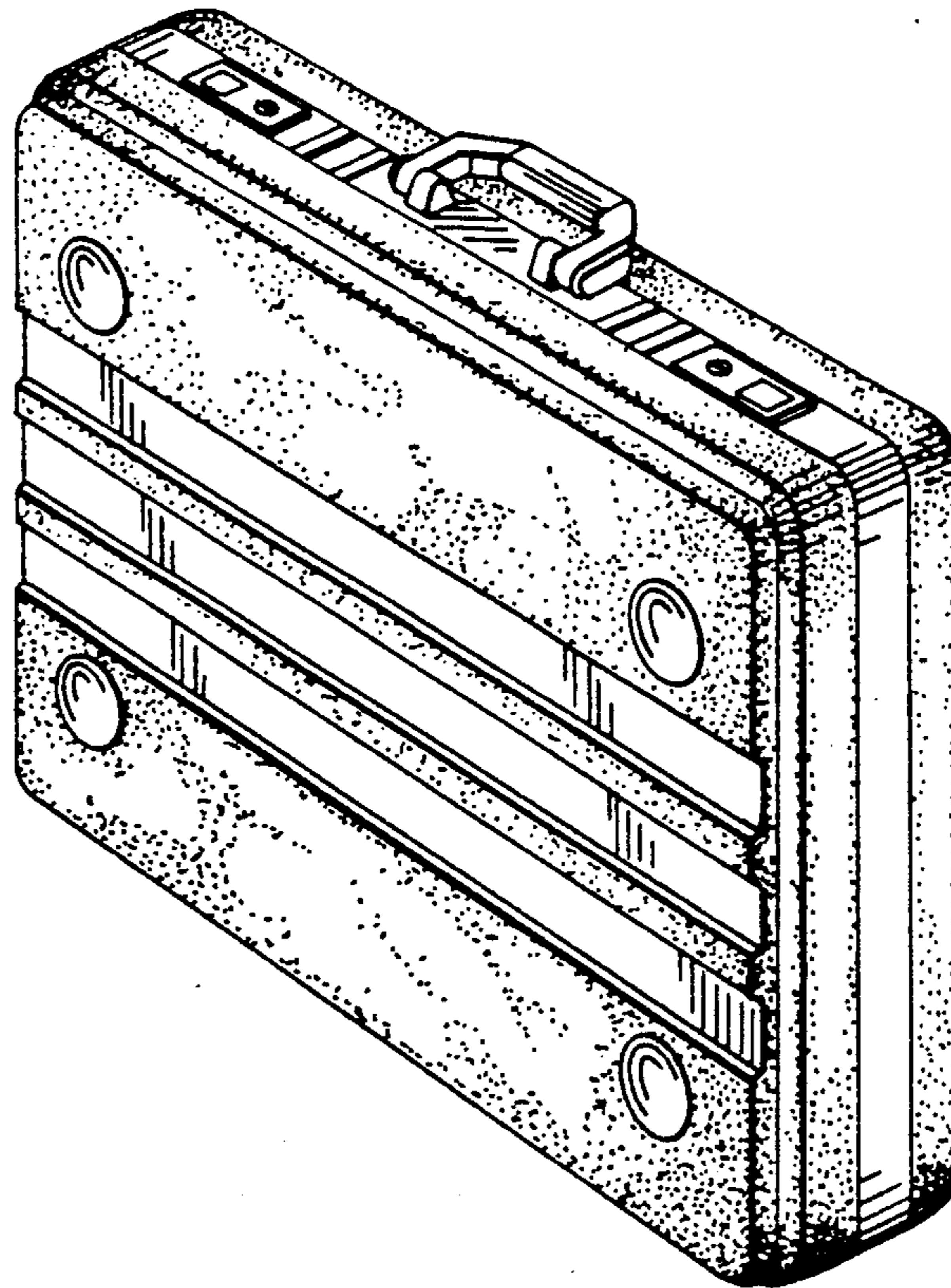
Primary Examiner—Louis S. Zarfes
Assistant Examiner—M. N. Pandozzi
Attorney, Agent, or Firm—Bell, Seltzer, Park & Gibson

[57] CLAIM

The ornamental design for carrying case, as shown and described.

DESCRIPTION

FIG. 1 is a front right perspective view of a carrying case showing our new design;
FIG. 2 is a left side elevational view thereof;
FIG. 3 is a rear elevational view thereof;
FIG. 4 is a top plan view taken along line 4—4 in FIG. 3;
FIG. 5 is a front elevational view thereof;
FIG. 6 is a bottom plan view thereof.



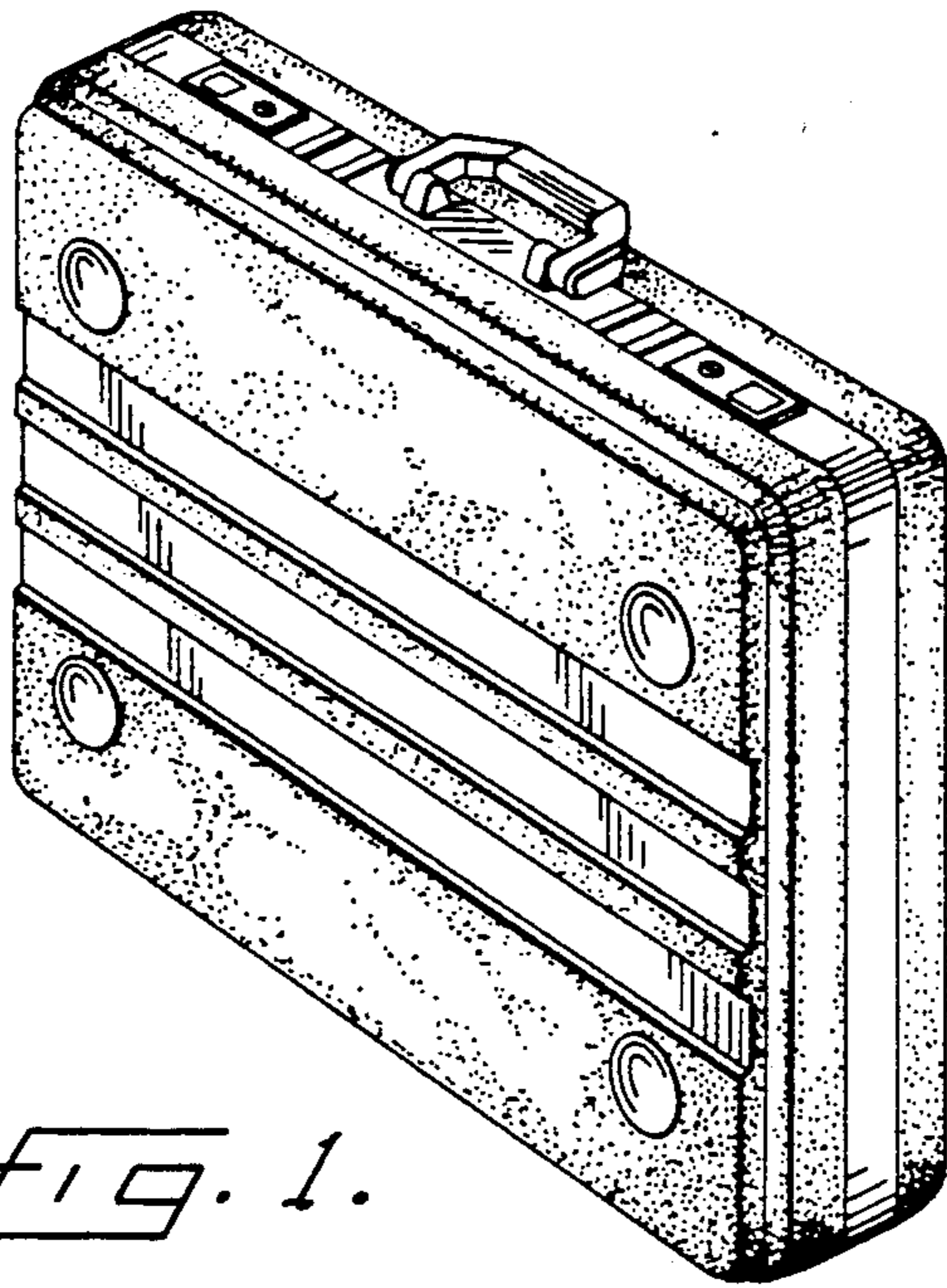


FIG. 1.

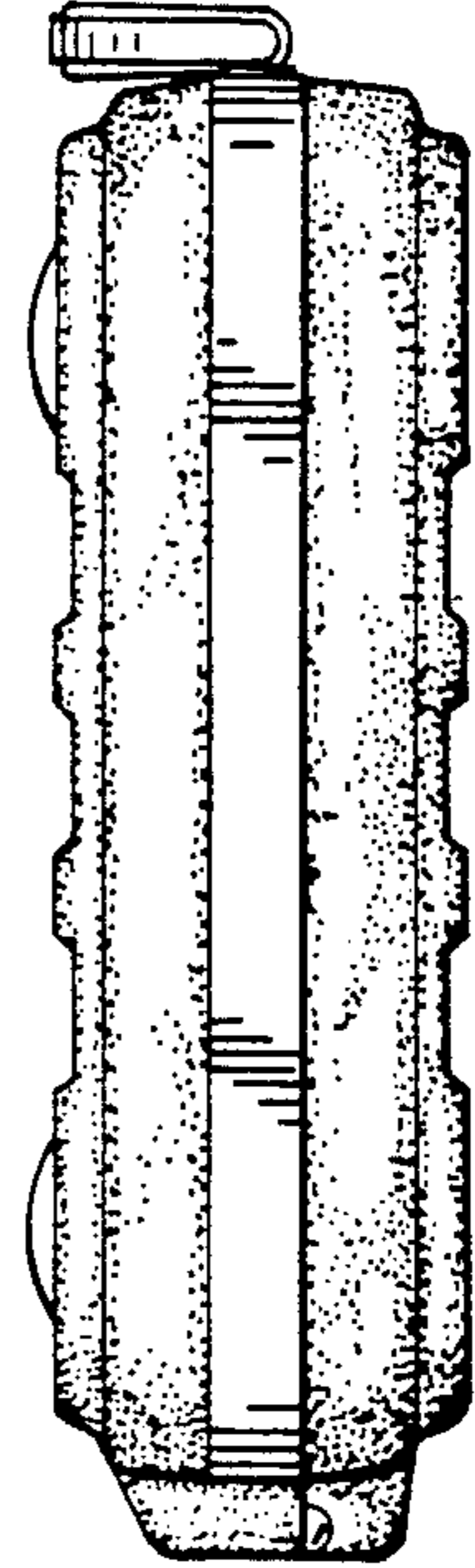
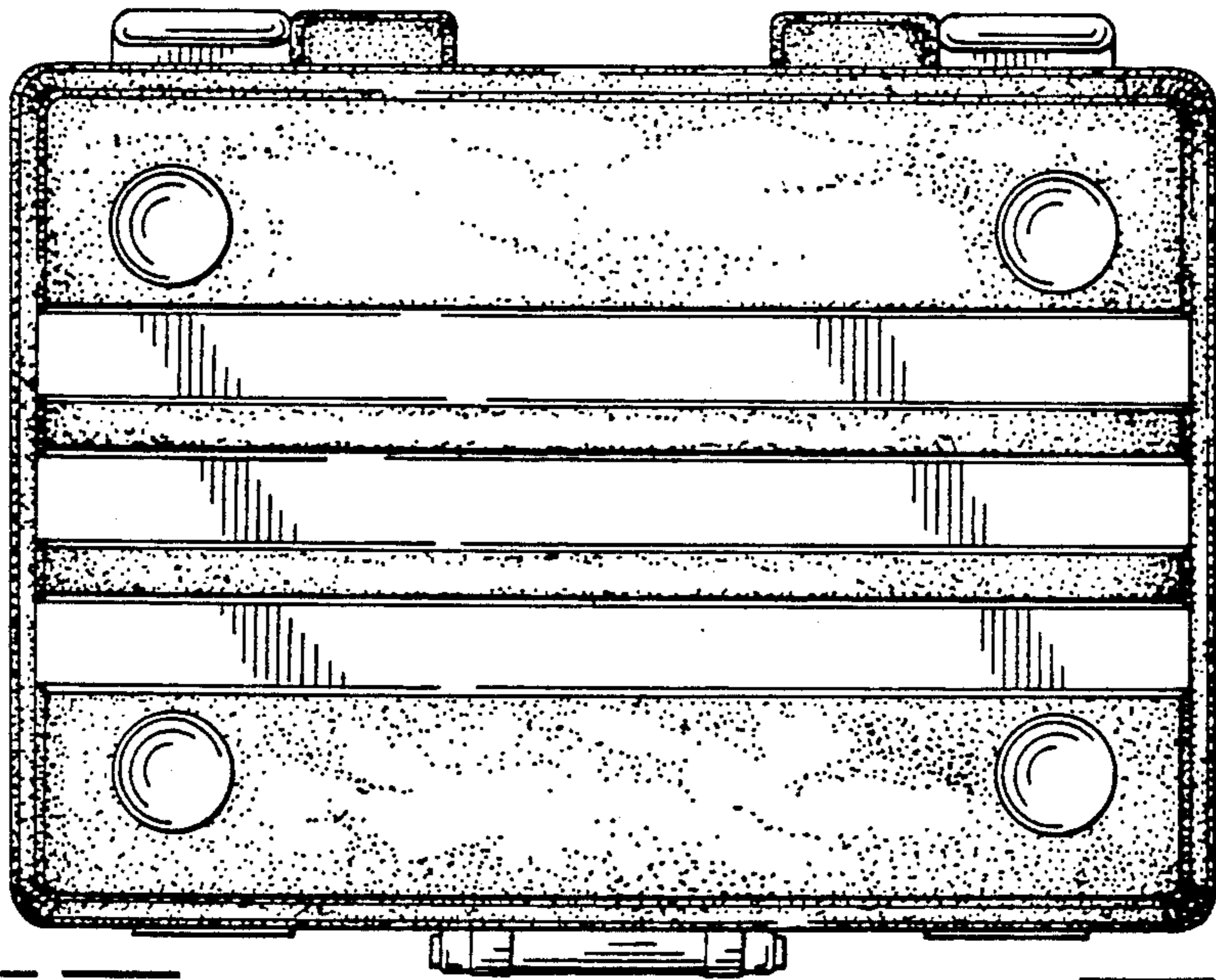


FIG. 2.



A

FIG. 3.

A

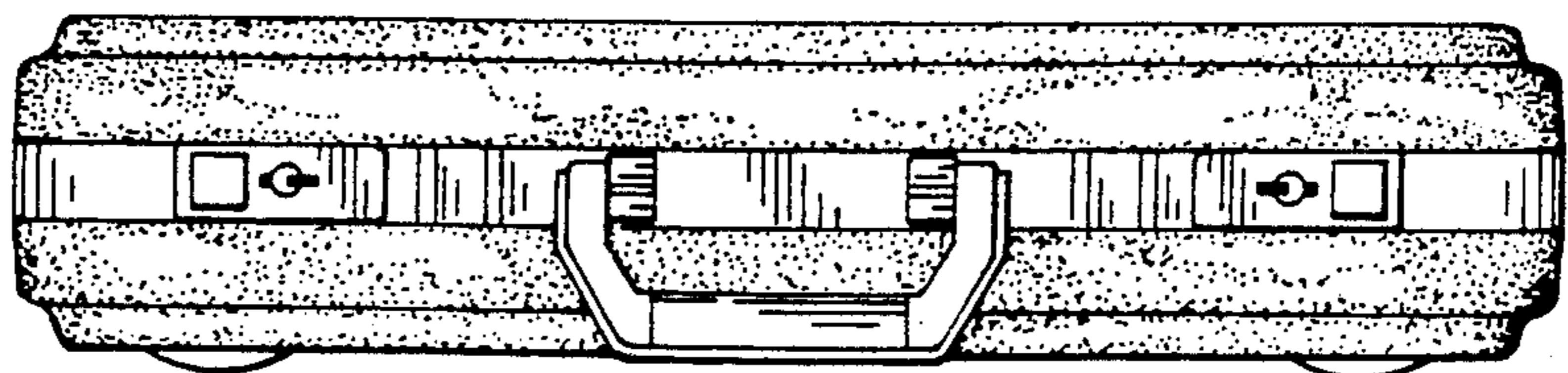


FIG. 4.

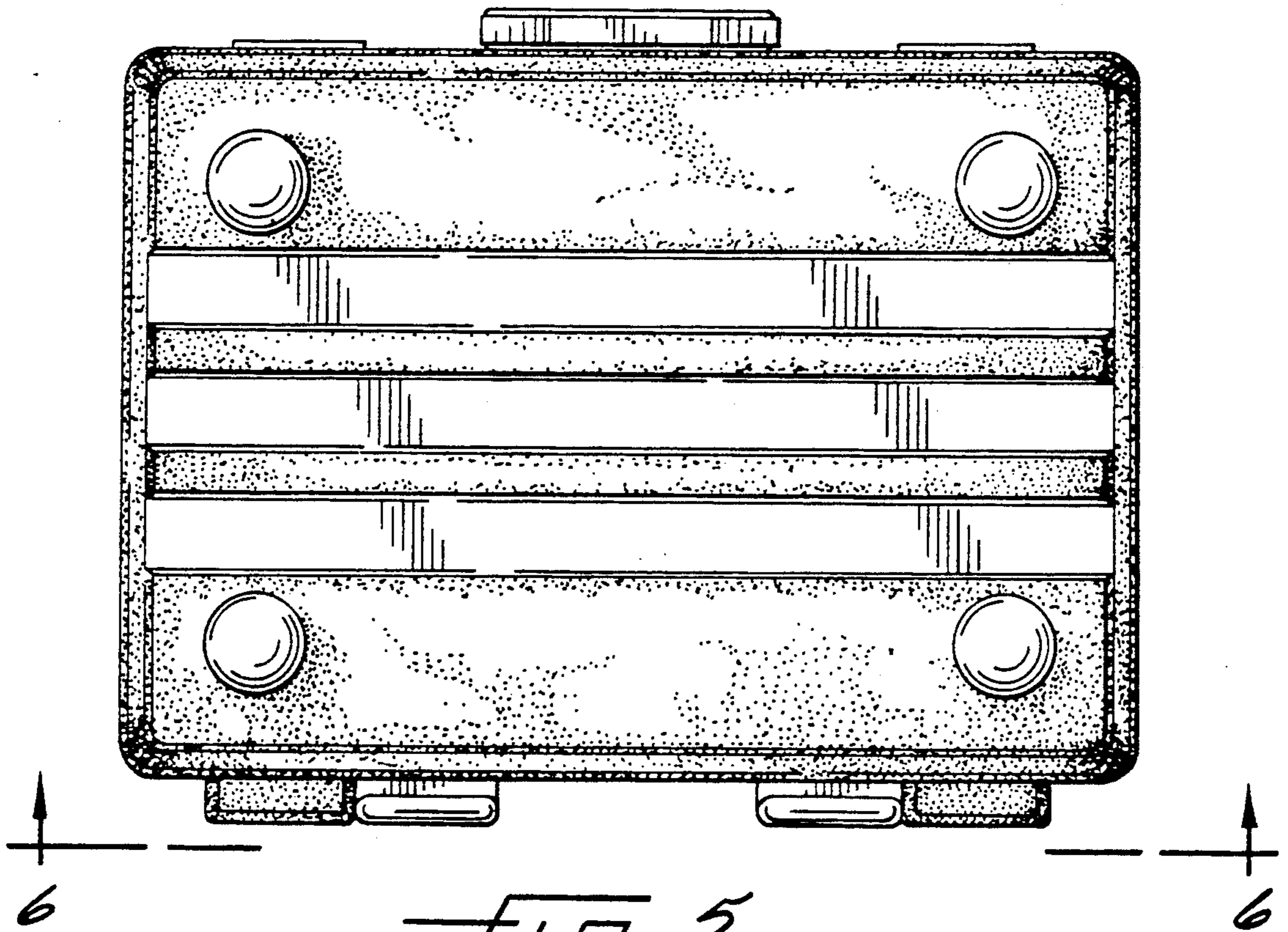


FIG. 5.

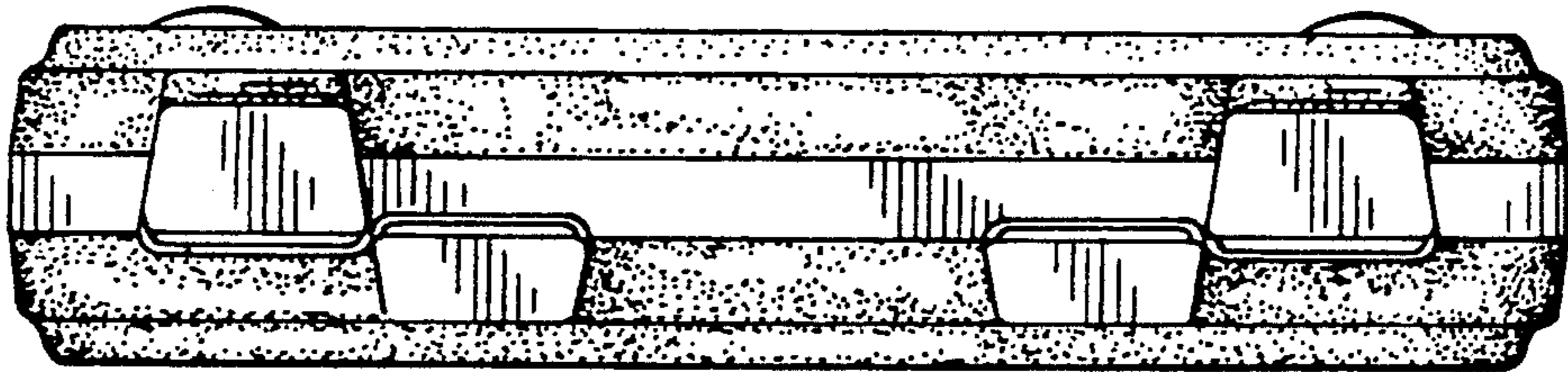


FIG. 6.