

[54] PORTABLE BLOWER

[75] Inventors: Martin P. Gierke, Baltimore; Jonathan L. Miner, Timonium; Vernon R. Lacher, Fallston, all of Md.

[73] Assignee: Black & Decker Inc., Newark, Del.

[\*] Notice: The portion of the term of this patent subsequent to Aug. 13, 2005 has been disclaimed.

[\*\*] Term: 14 Years

[21] Appl. No.: 120,001

[22] Filed: Nov. 13, 1987

[52] U.S. Cl. .... D32/15

[58] Field of Search ..... D32/1, 15-18, D32/25, 32; D23/383, 393; 15/404-405, 344, 414, 415 R, 415 A, 420, 330-331, 337, 335; 417/234, 423.2, 236

[56] References Cited

U.S. PATENT DOCUMENTS

- D. 147,125 7/1947 Harvuot .
D. 192,345 3/1962 Nerheim .
D. 209,274 11/1967 Richards .
D. 211,751 7/1968 Richards .
D. 255,864 7/1980 Bennett .
D. 258,908 4/1981 Satoh ..... D23/155
D. 266,355 9/1982 Mariol ..... D23/383
D. 266,587 10/1982 Satoh ..... D23/155
D. 280,661 9/1985 Hill ..... D23/383
D. 297,274 8/1988 Komiya et al. .... D32/15

- 2,068,496 1/1937 Linghammar ..... 15/155
4,132,507 1/1979 Akiyama et al. .... 417/234
4,269,571 5/1981 Shikutani et al. .... 417/234
4,288,886 9/1981 Siegler ..... 15/330
4,413,371 11/1983 Tuggle et al. .... 15/405
4,734,017 3/1988 Levin ..... 417/366

OTHER PUBLICATIONS

Hardware Age, vol. 220, Dec. 1983, p. 472.

Primary Examiner—A. Hugo Word

Assistant Examiner—Doris V. Coles

Attorney, Agent, or Firm—Charles E. Yocum; Dennis A. Dearing; John D. Del Ponti

[57] CLAIM

The ornamental design for a portable blower, as shown and described.

DESCRIPTION

FIG. 1 is a perspective view of a portable blower, showing our new design; FIG. 2 is a side elevational view thereof; FIG. 3 is a top plan view thereof; FIG. 4 is a bottom plan view thereof; FIG. 5 is a front elevational view thereof; FIG. 6 is a rear elevational view thereof; FIG. 7 is a partial rear elevational view thereof, with the guard removed; FIG. 8 is a side elevational view of the second embodiment; FIG. 9 is a partial side elevational view thereof; FIG. 10 is a partial front elevational view thereof; FIG. 11 is a partial side elevational view thereof; and FIG. 12 is a rear elevational view thereof.

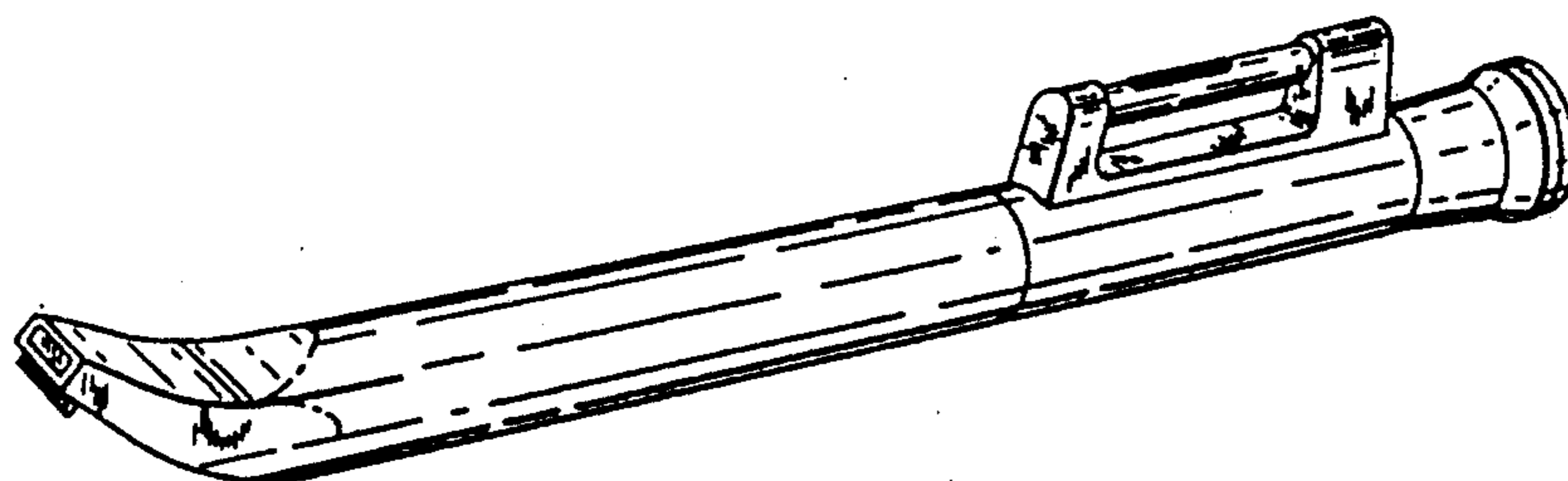


FIG. 1

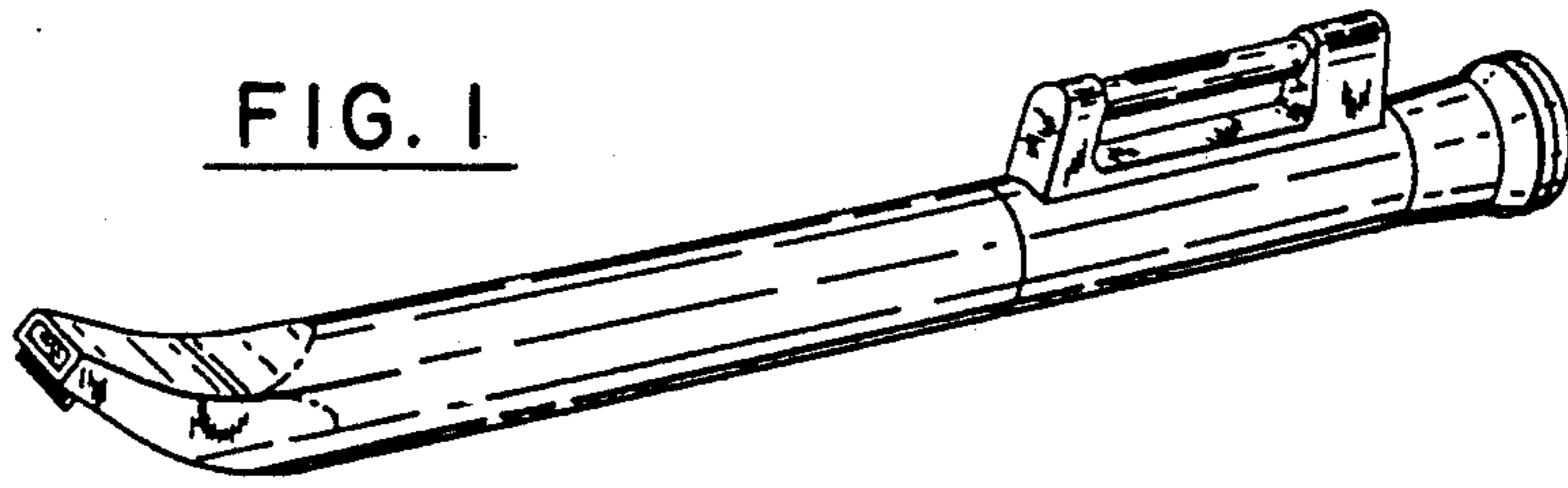


FIG. 2

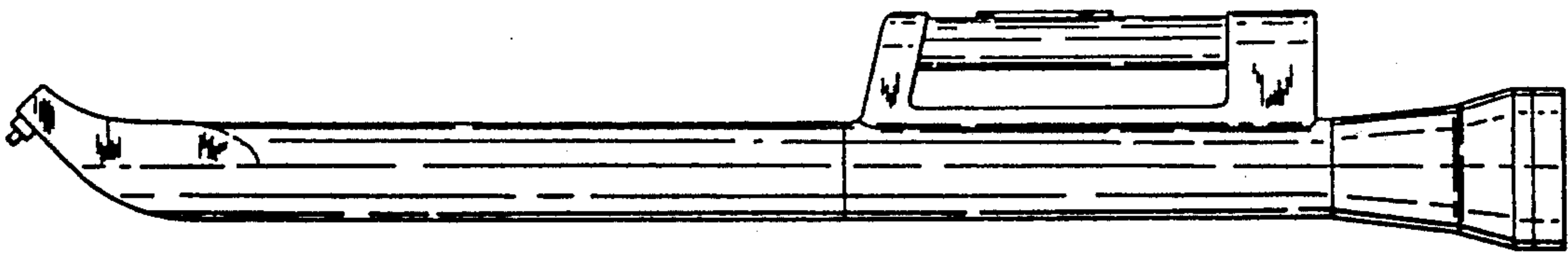


FIG. 3

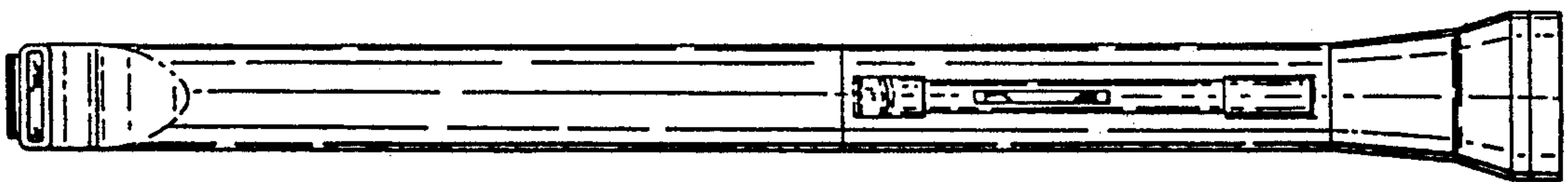


FIG. 4

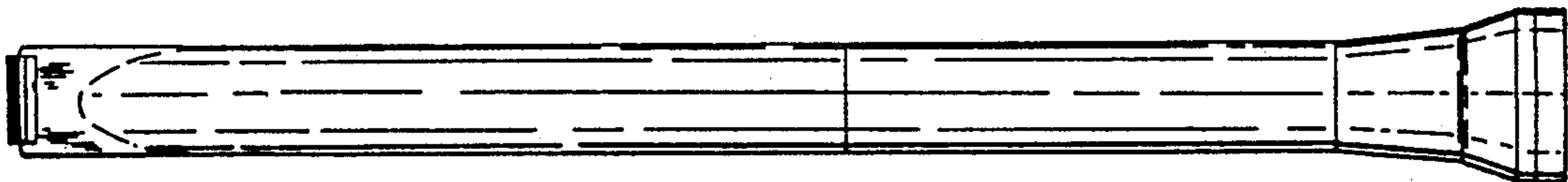


FIG. 5

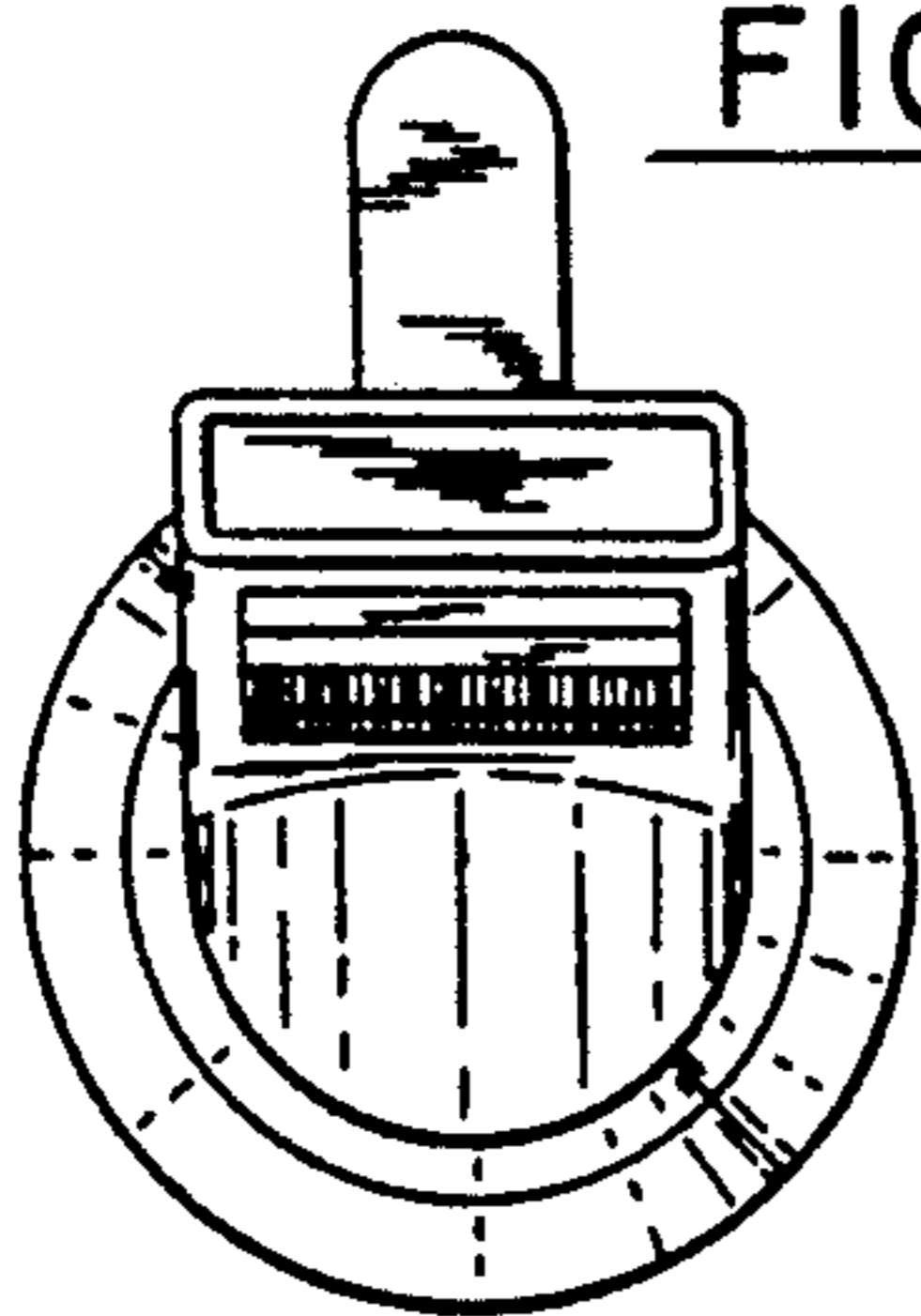
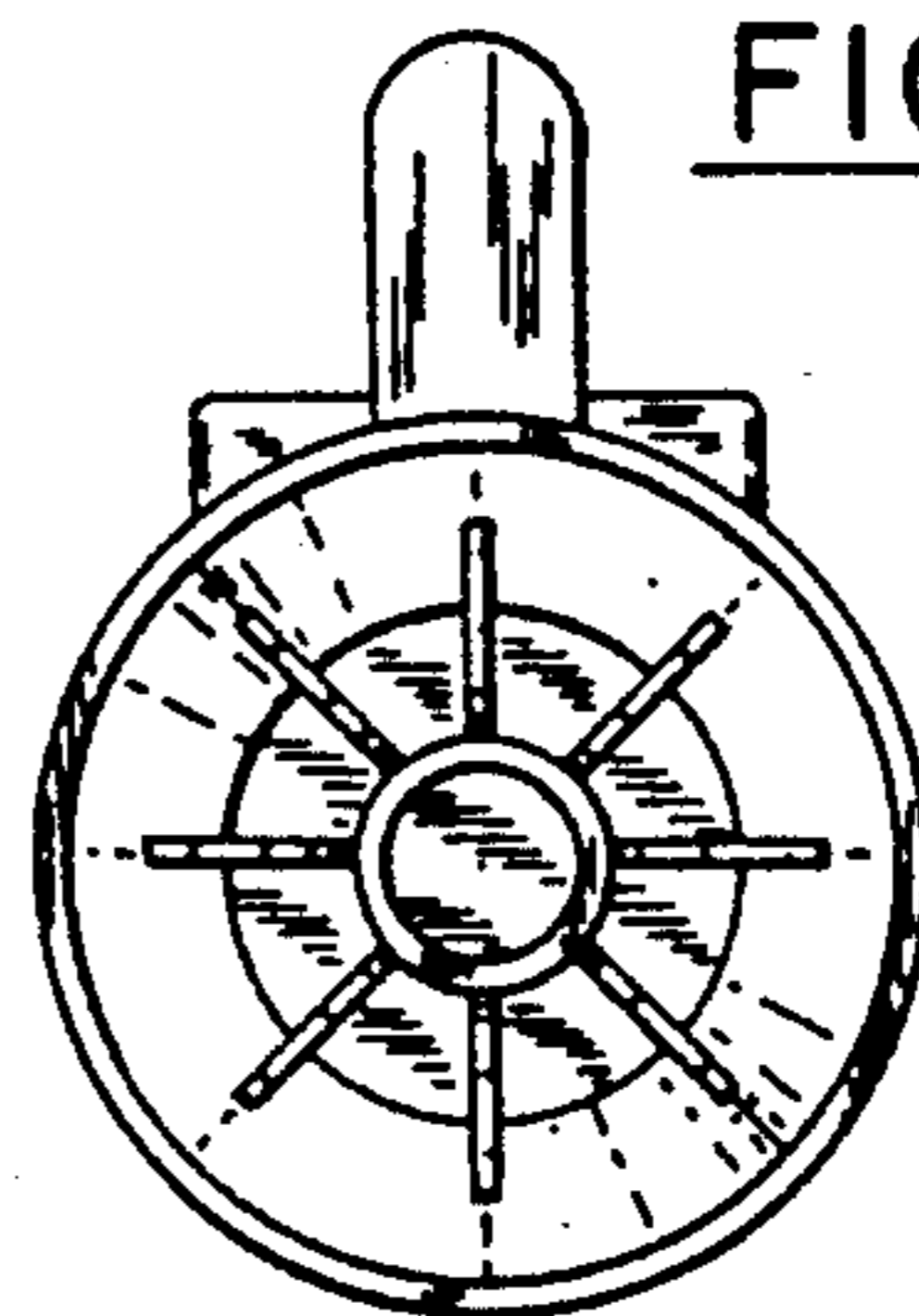


FIG. 6



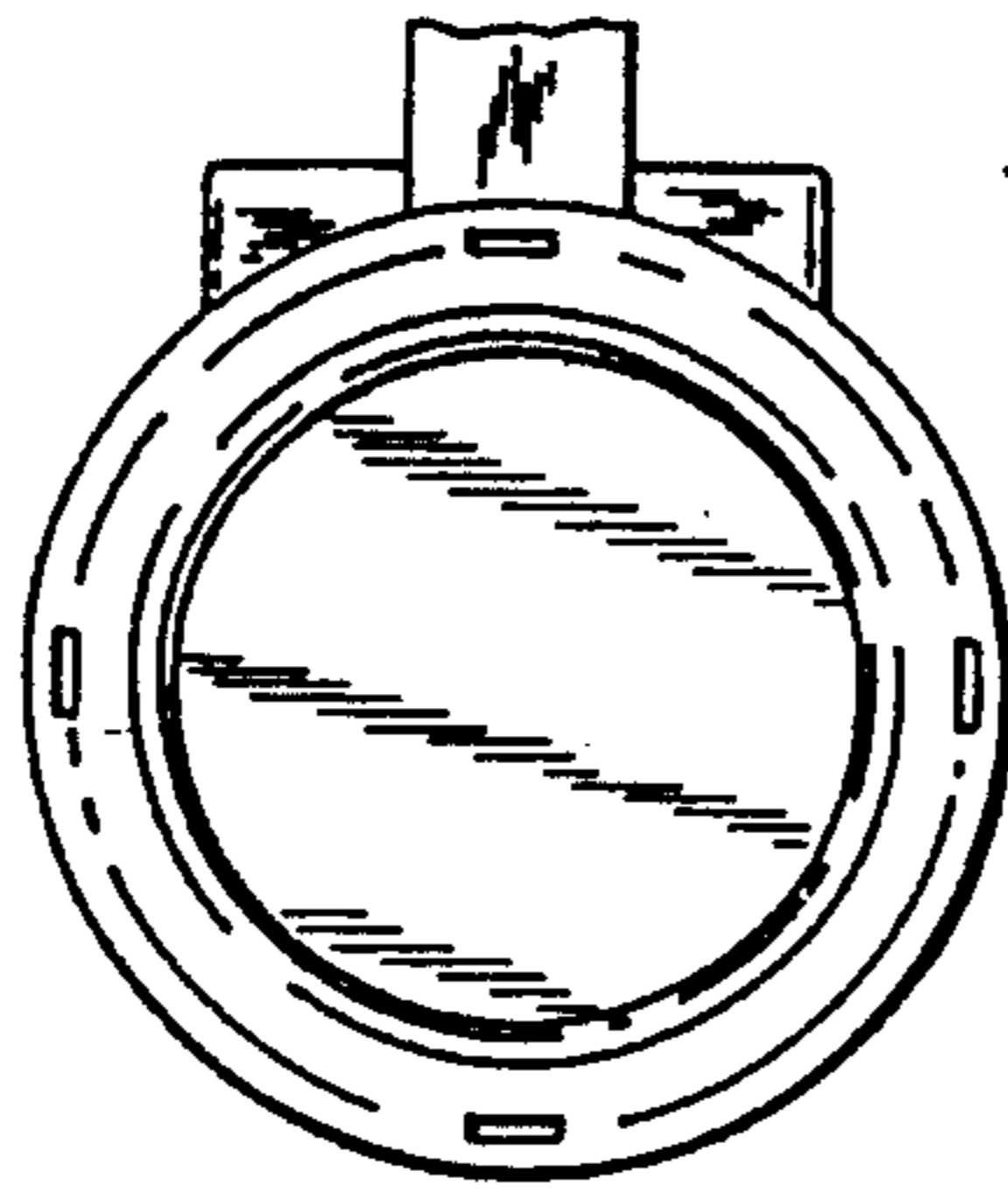


FIG. 7



FIG. 8

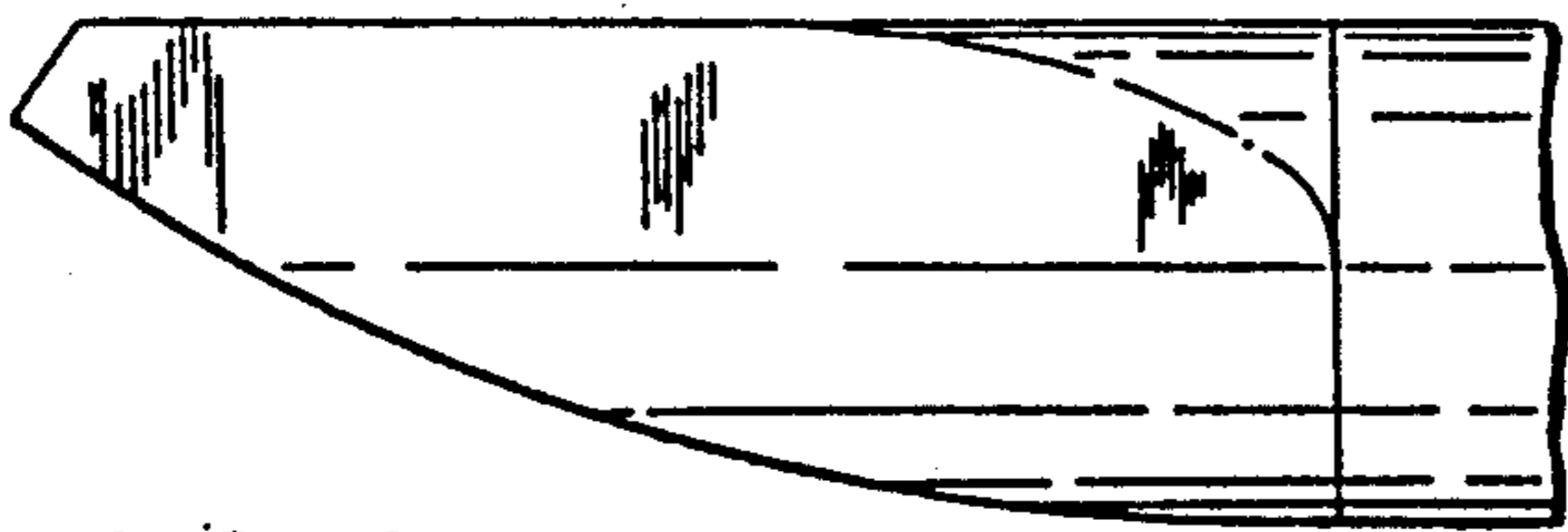


FIG. 9

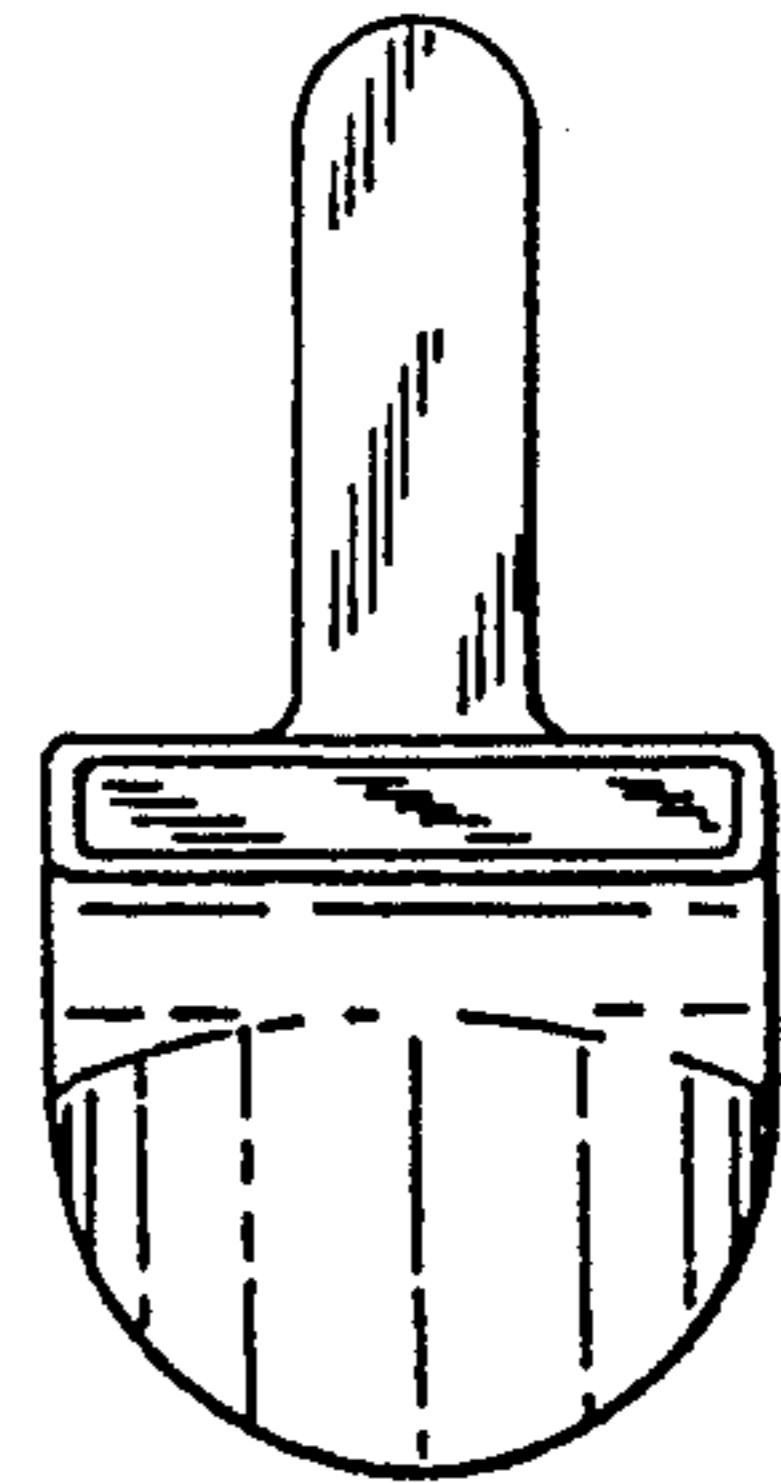


FIG. 10

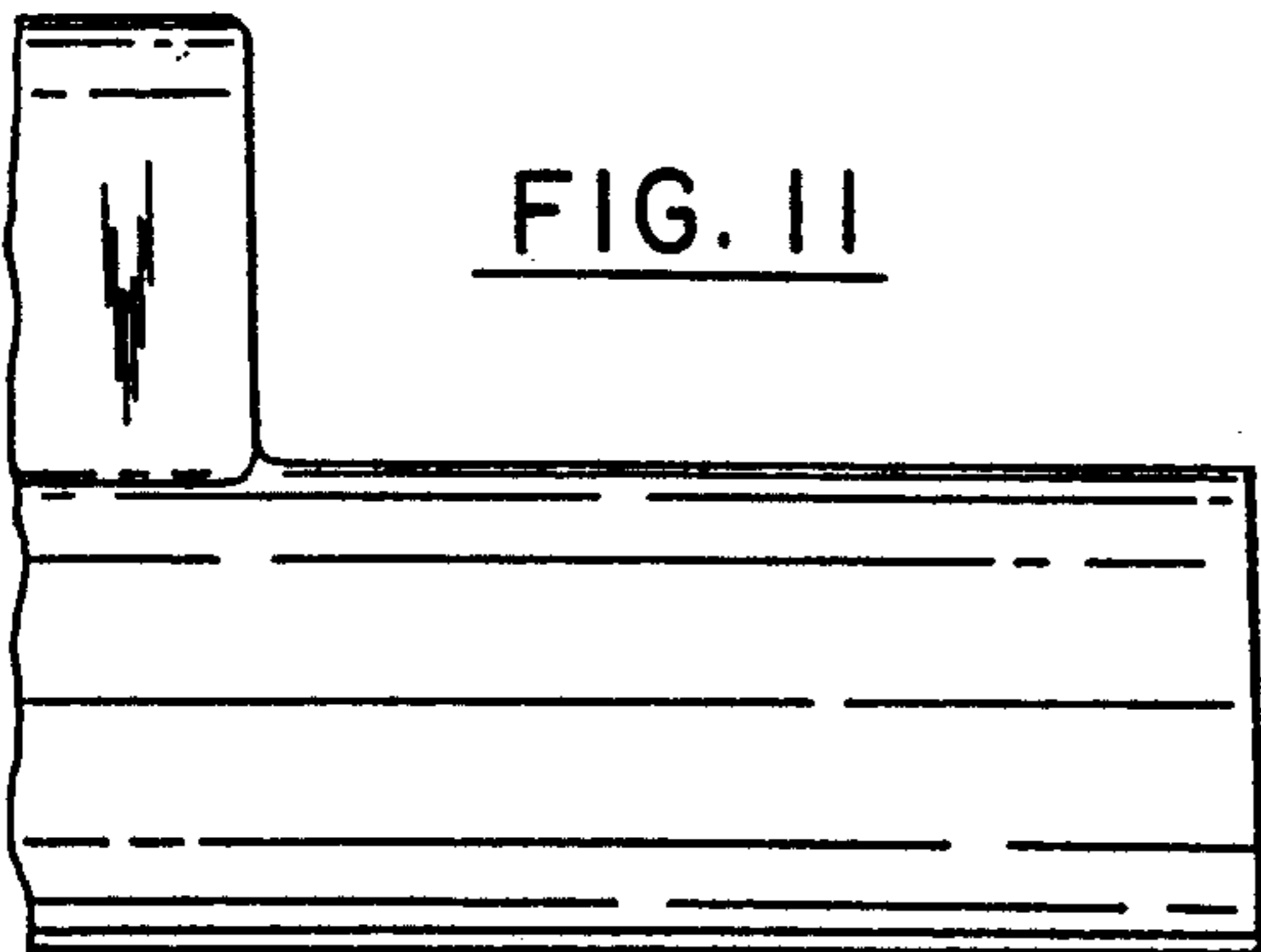


FIG. 11

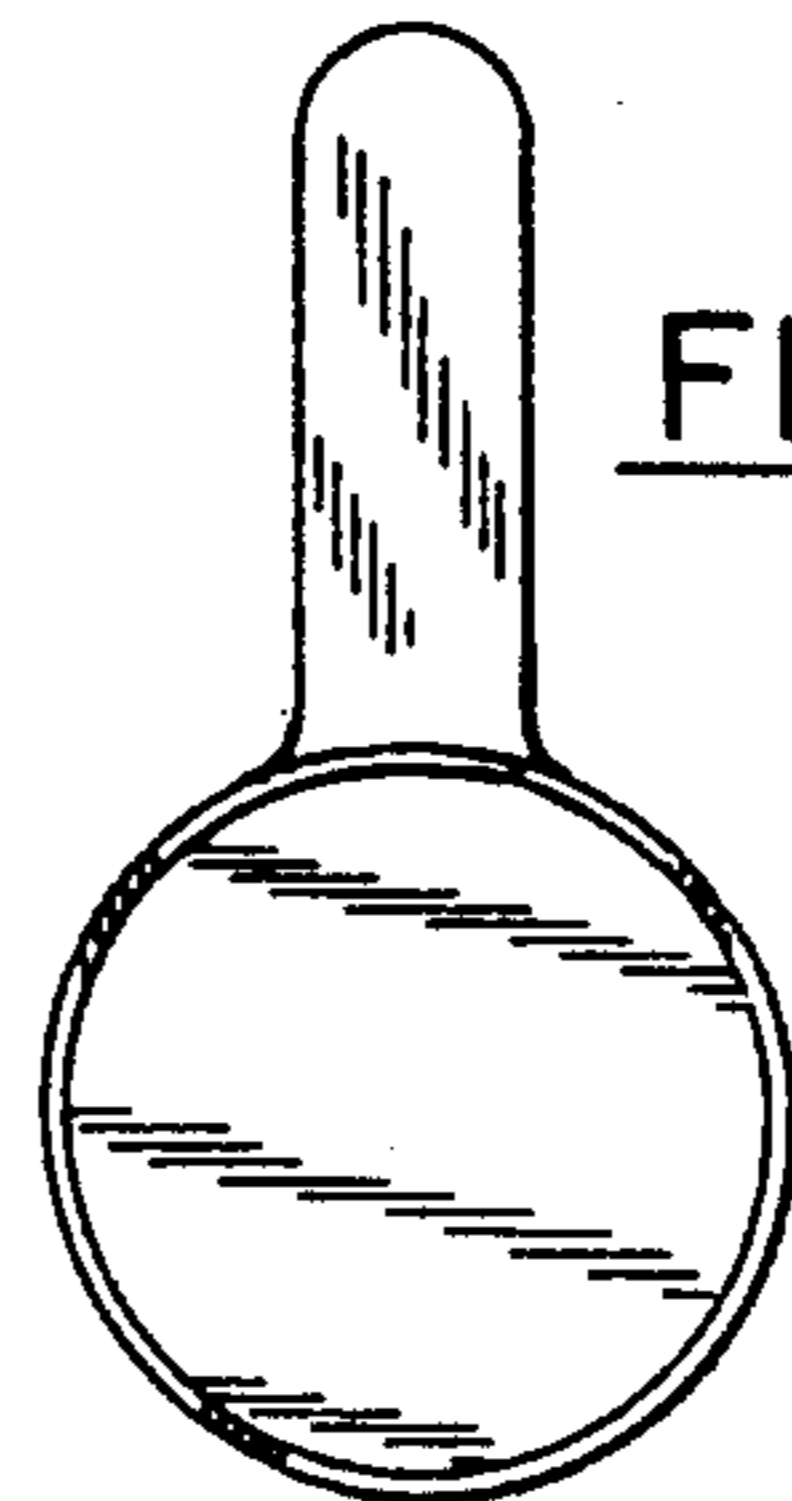


FIG. 12