

United States Patent [19]

Lorenzana et al.

[11] Patent Number: **Des. 319,710**

[45] Date of Patent: **** Sep. 3, 1991**

[54] **DENTAL FLOSS TOOL**

[76] Inventors: **Moises B. Lorenzana**, 601 Lake Hinsdale Dr.-Unit 310F, Willowbrook, Ill. 60559; **Vance A. Lorenzana**, 698 Spring Hill Cir., Naperville, Ill. 60540

[**] Term: **14 Years**

[21] Appl. No.: **559,558**

[22] Filed: **Jul. 26, 1990**

[52] U.S. Cl. **D28/64**

[58] Field of Search **D28/64; 132/323-326, 132/327-329**

[56] **References Cited**

U.S. PATENT DOCUMENTS

D. 238,175 12/1975 Wharton D28/64
D. 311,595 10/1990 Ewald D28/64

3,814,114 6/1974 Roberts 132/326 X
3,858,594 1/1975 Ensminger 132/325
4,790,336 12/1988 Kuo 132/323 X

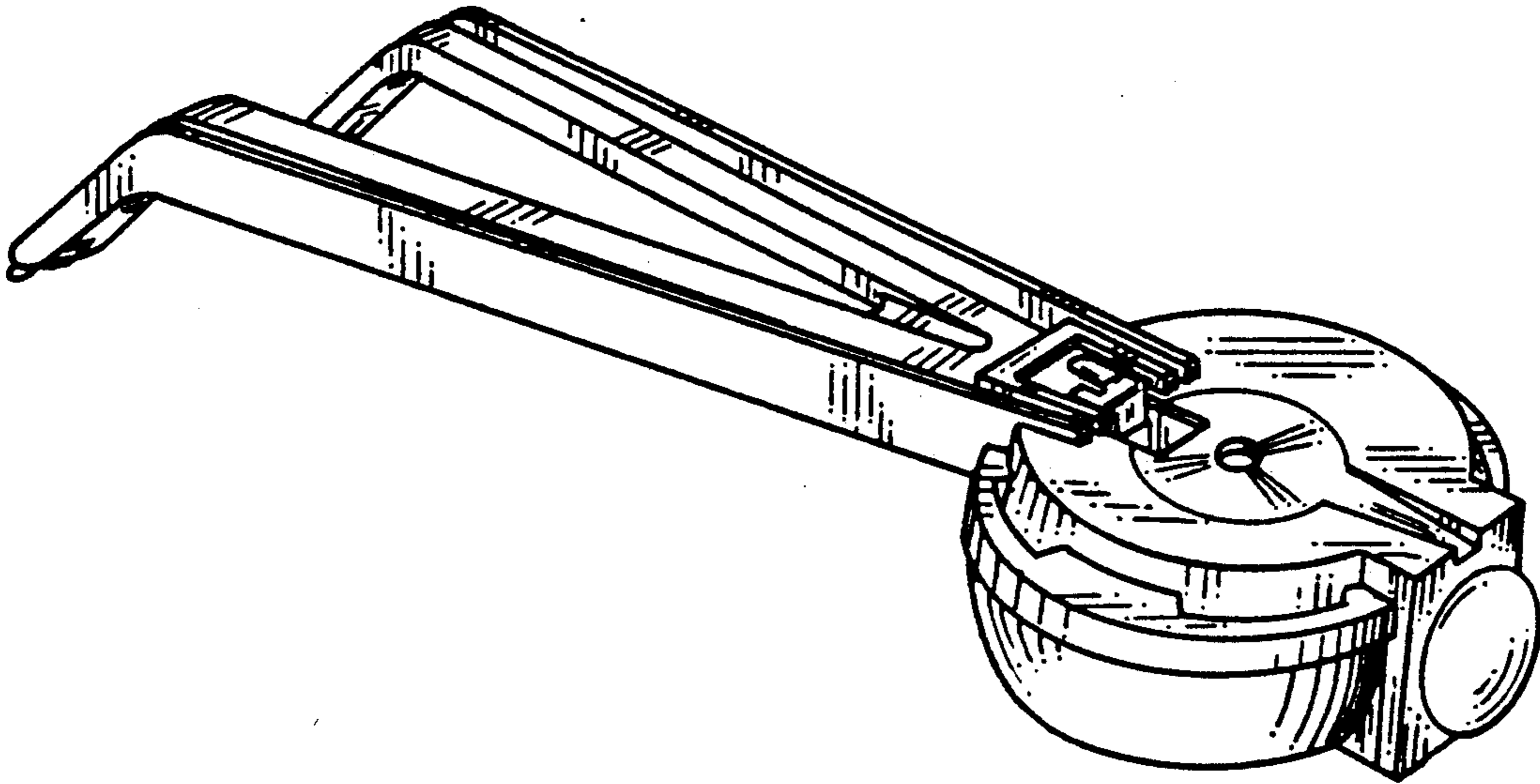
Primary Examiner—Susan J. Lucas
Assistant Examiner—M. H. Tung
Attorney, Agent, or Firm—Neil M. Rose

[57] **CLAIM**

The ornamental design for a dental floss tool, as shown and described.

DESCRIPTION

FIG. 1 is a top side perspective view of a dental floss tool showing our new design;
FIG. 2 is a top plan view thereof;
FIG. 3 is a rear elevational view thereof;
FIG. 4 is a front elevational view thereof;
FIG. 5 is a right side elevational view thereof, the left side being a mirror image;
FIG. 6 is a bottom plan view thereof.



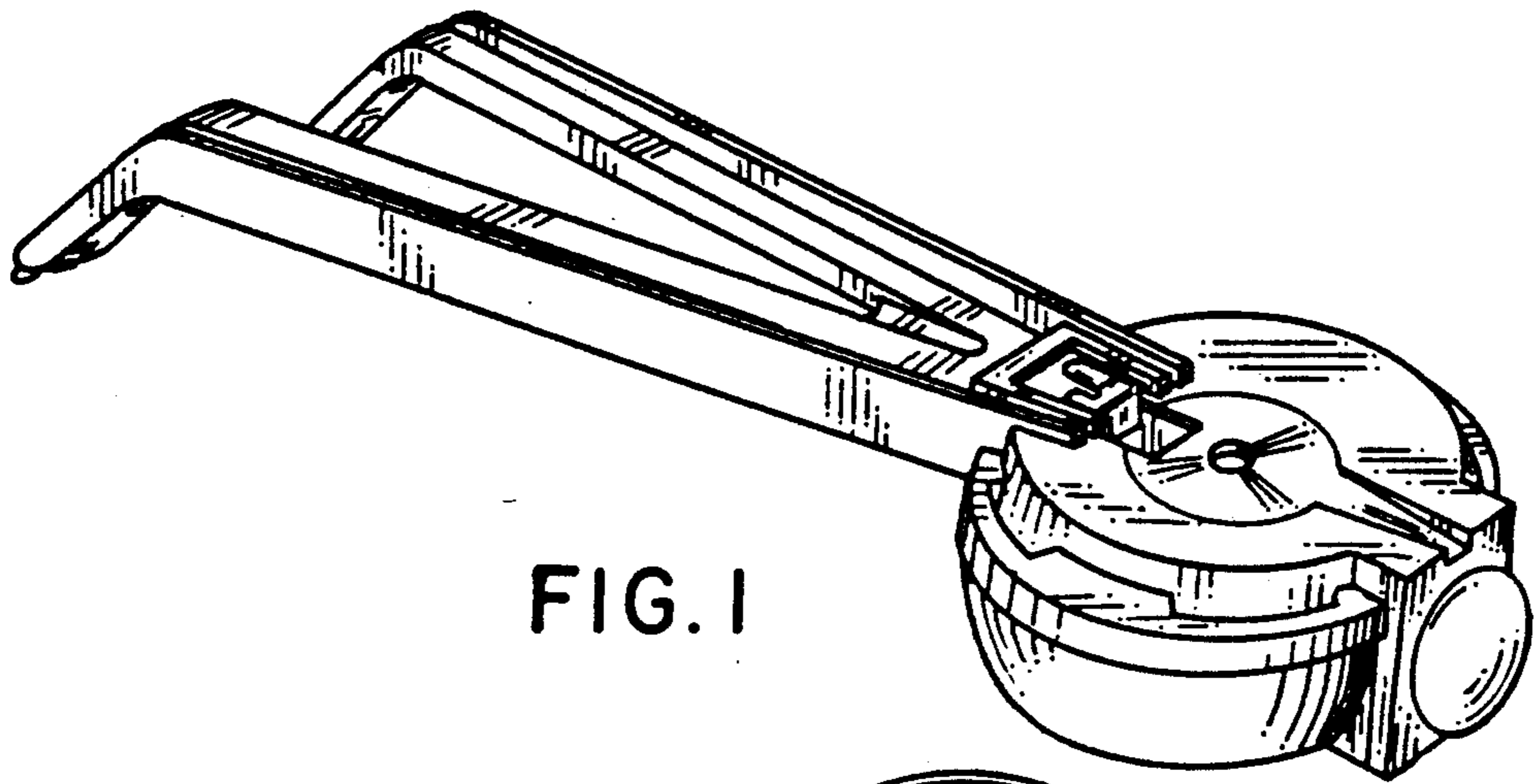


FIG. 1

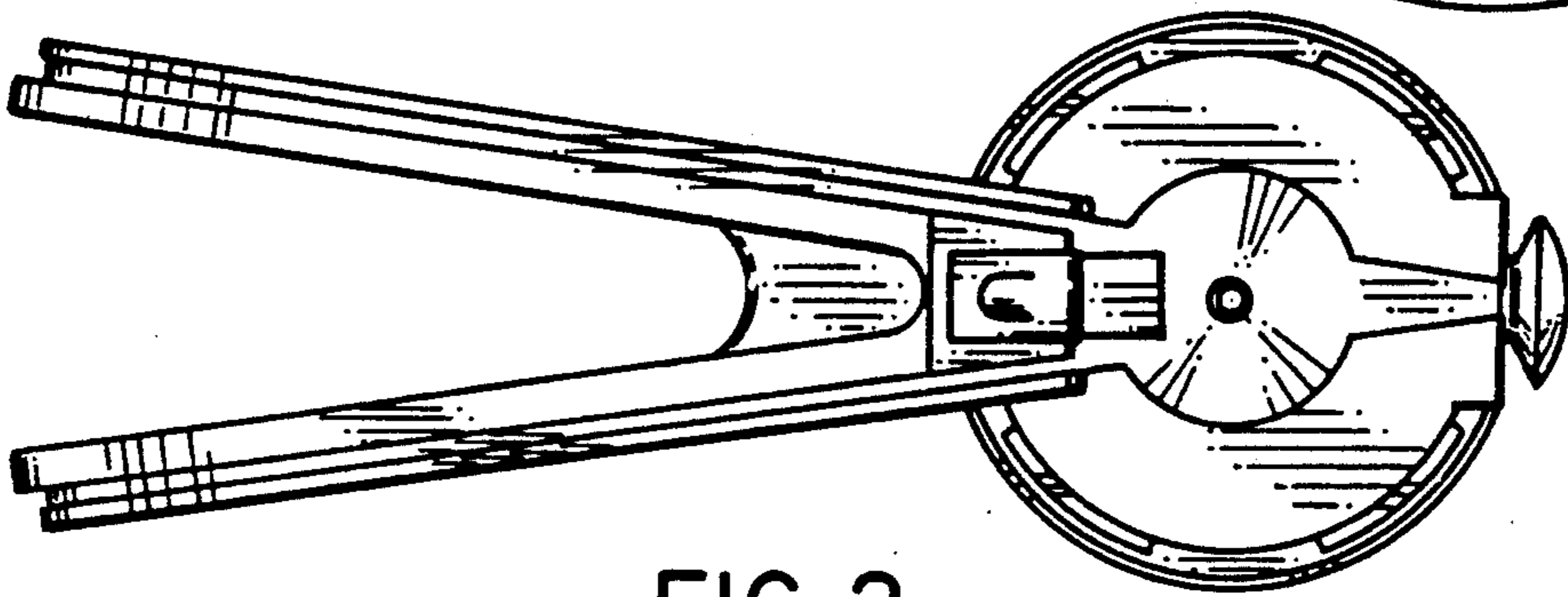


FIG. 2

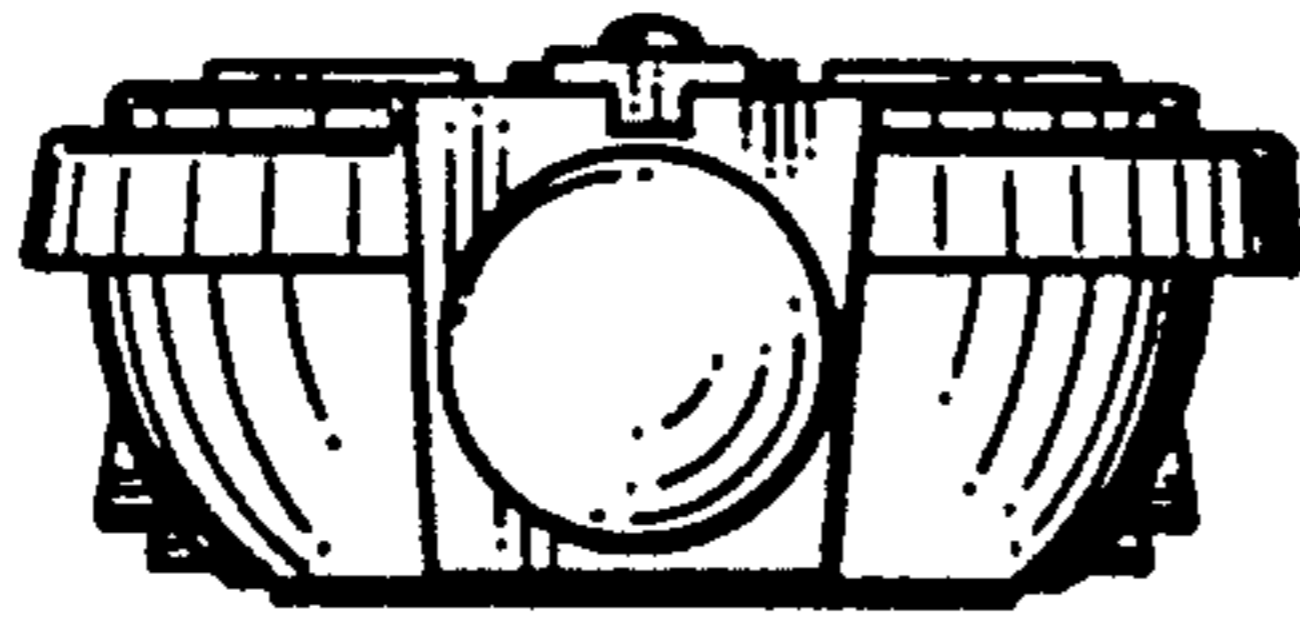


FIG. 3

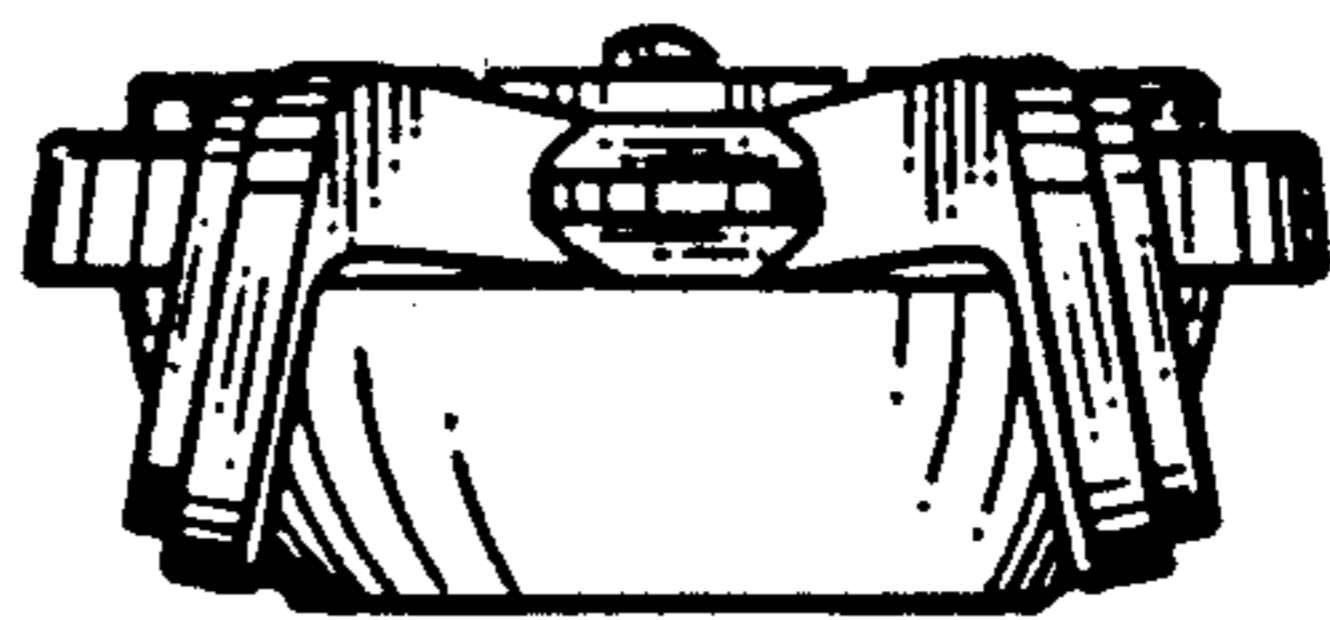


FIG. 4

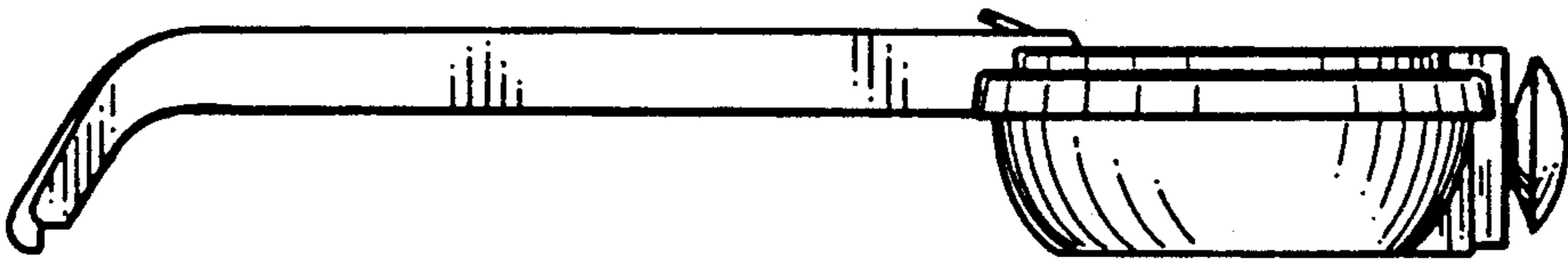


FIG. 5

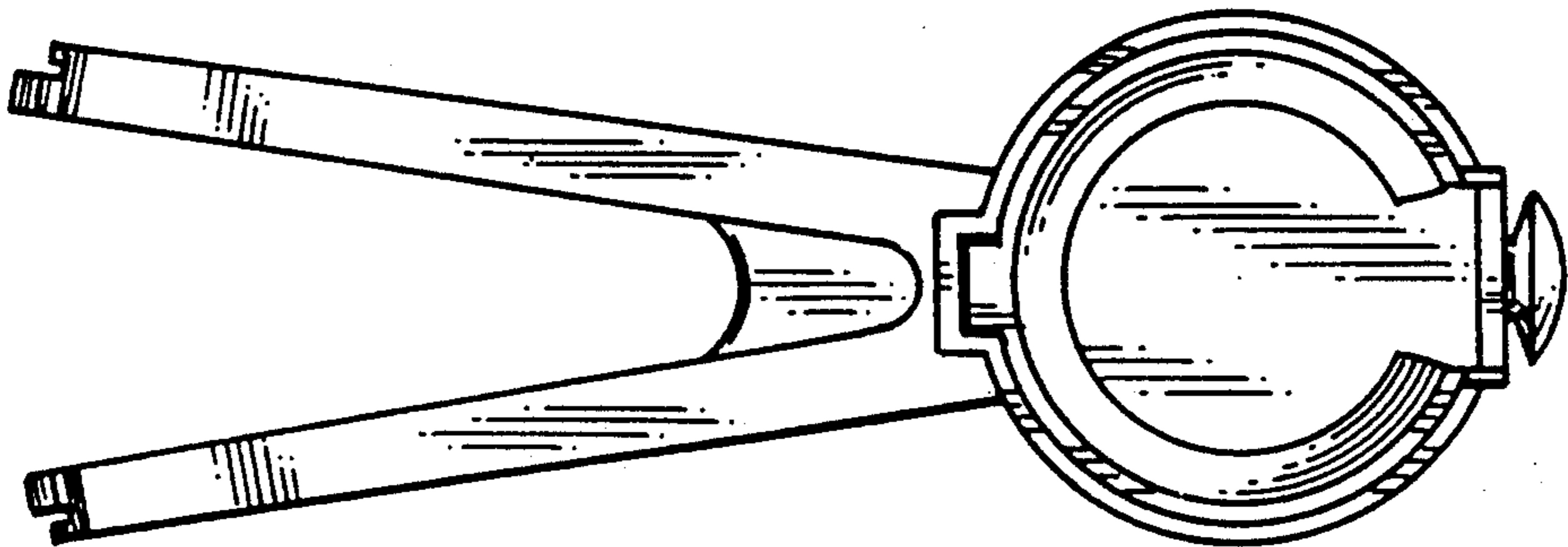


FIG. 6