

[54] CIGARETTE ASHBIN

[76] Inventor: Shing-Hwei Hwang, No. 13, Lane 42, Kan Chou St., Taipei, Taiwan

[\*\*] Term: 14 Years

[21] Appl. No.: 579,391

[22] Filed: Sep. 10, 1990

[52] U.S. Cl. .... D27/102

[58] Field of Search ..... D27/102-138; 131/231, 175, 190; 431/145; 206/246

[56] References Cited

U.S. PATENT DOCUMENTS

D. 205,172	6/1966	Schetzer	.....	D27/102
D. 292,028	9/1987	Rhodes	.....	D27/102
D. 300,955	5/1989	Sweeny	.....	D27/102
634,746	10/1899	Cole	.....	131/175
1,419,141	6/1922	Ingalls	.....	131/175
1,541,732	6/1925	Nagy	.....	131/175
2,118,564	5/1938	McCready	.....	131/231
2,444,663	7/1948	Miller, Jr.	.....	431/135
2,653,614	9/1953	Coffey	.....	131/190
2,921,588	1/1960	Dahly	.....	131/175

4,969,478 11/1990 Keidar et al. .... 206/246 X

FOREIGN PATENT DOCUMENTS

175927 2/1906 Fed. Rep. of Germany ..... 131/175  
601335 5/1948 United Kingdom ..... 131/175

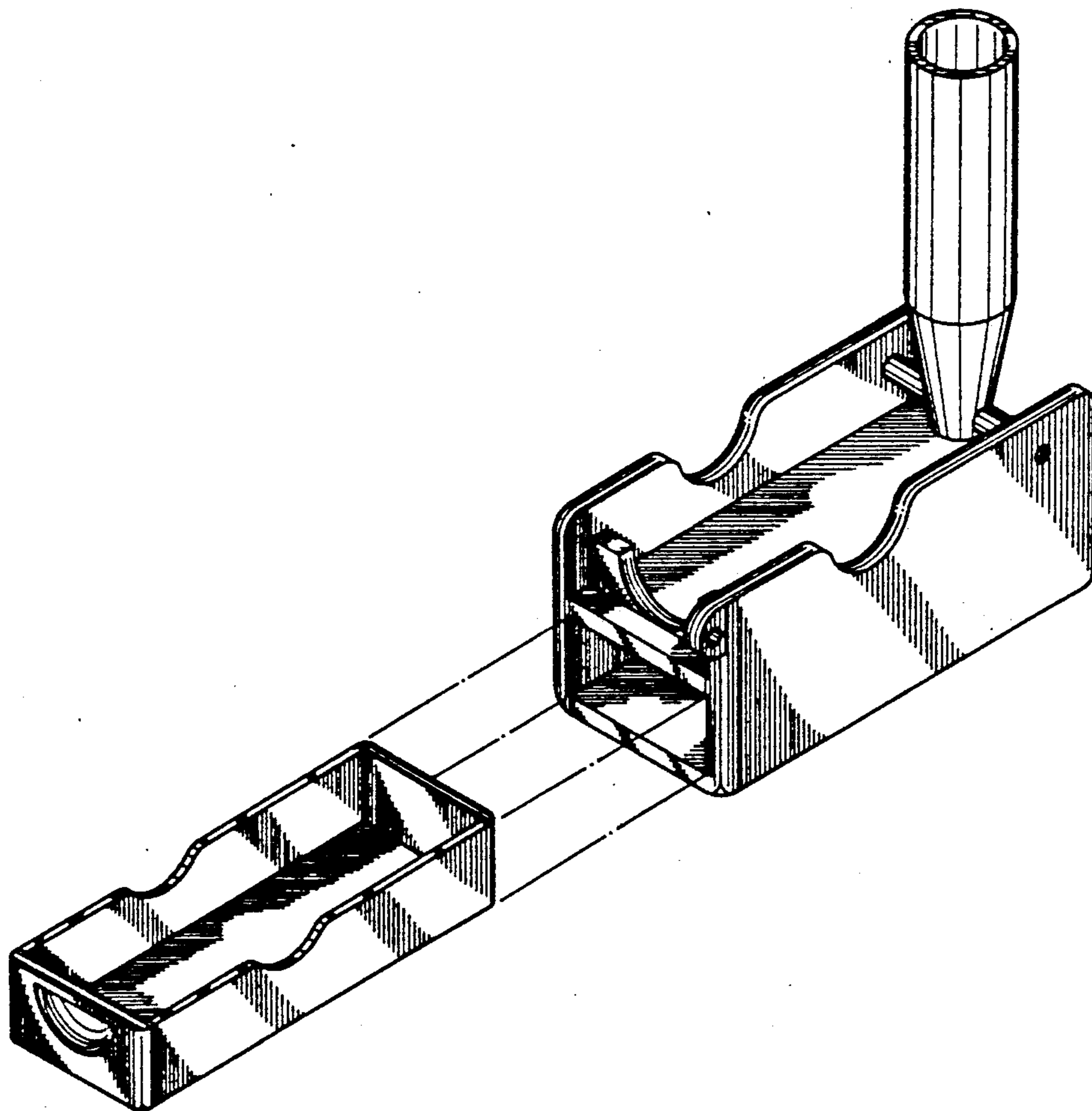
Primary Examiner—Wallace R. Burke  
Assistant Examiner—Holly Baynham  
Attorney, Agent, or Firm—Leonard Bloom

[57] CLAIM

The ornamental design for a cigarette ashbin or similar article, as shown and described.

DESCRIPTION

FIG. 1 is a perspective view of a cigarette ashbin or similar article showing my new design;  
FIG. 2 is a right side elevational view thereof;  
FIG. 3 is a left side elevational view thereof;  
FIG. 4 is a front elevational view thereof;  
FIG. 5 is a rear elevational view thereof;  
FIG. 6 is a top plan view thereof;  
FIG. 7 is a bottom plan view thereof;  
FIG. 8 is a perspective view with the ash drawer removed.



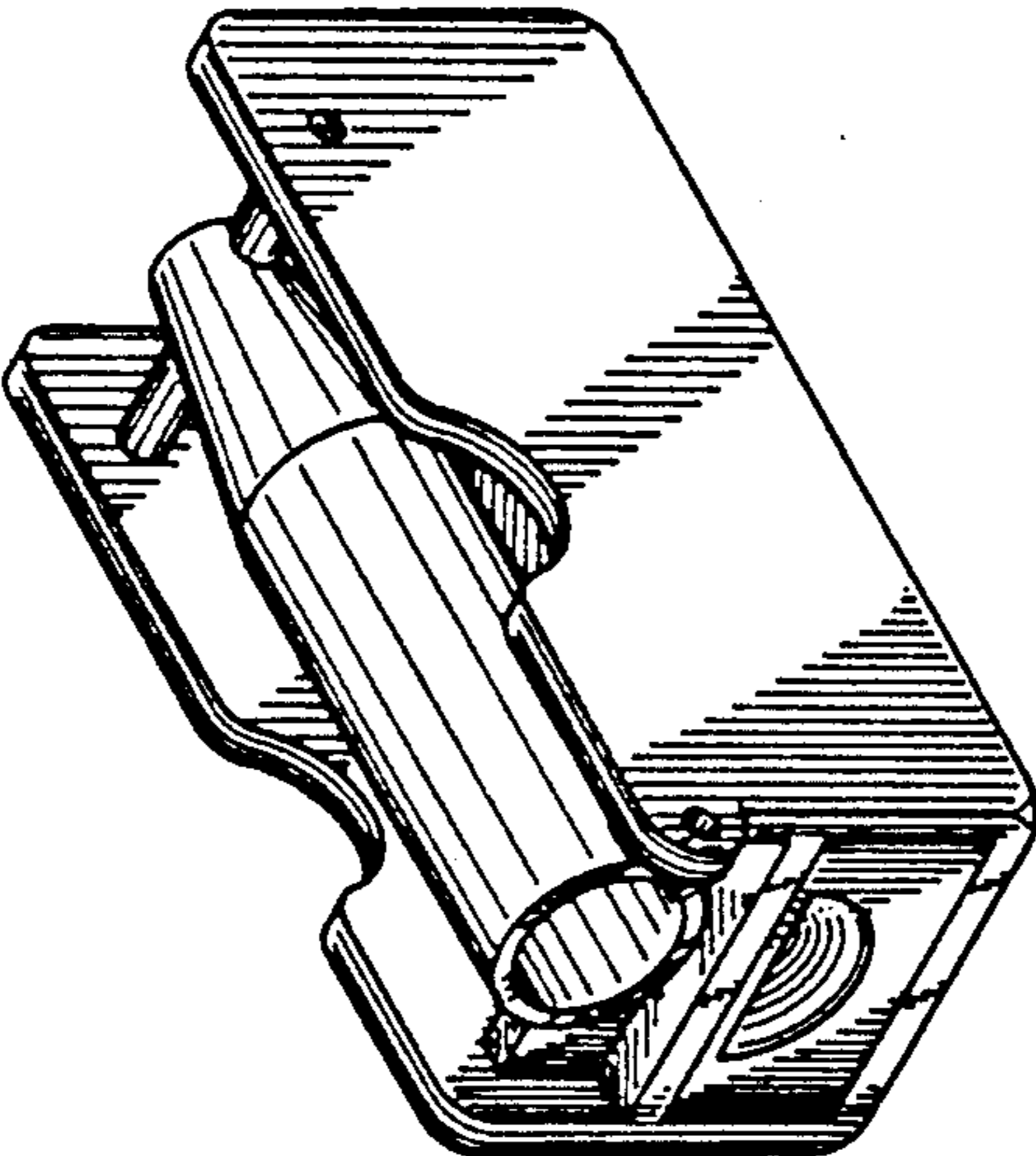


FIG. 1

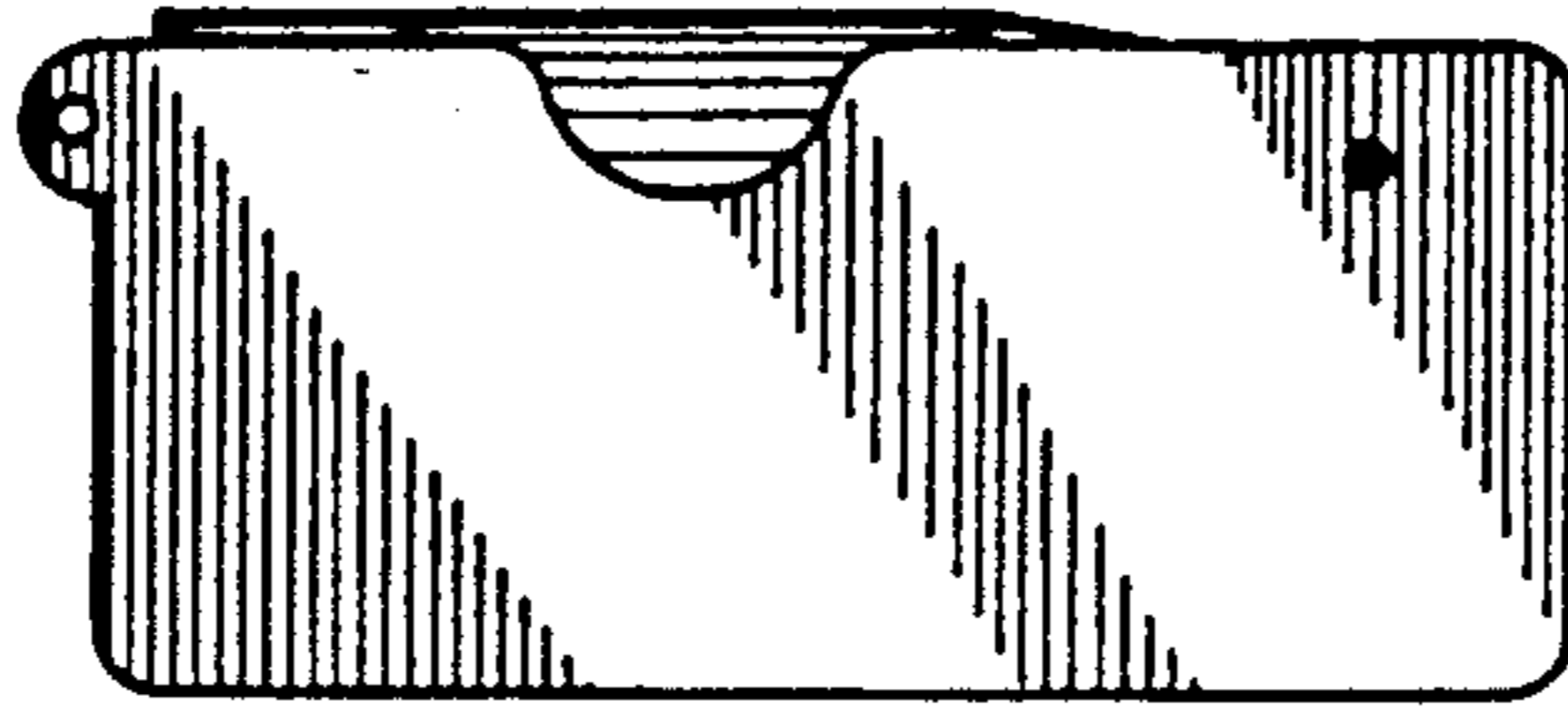


FIG. 2

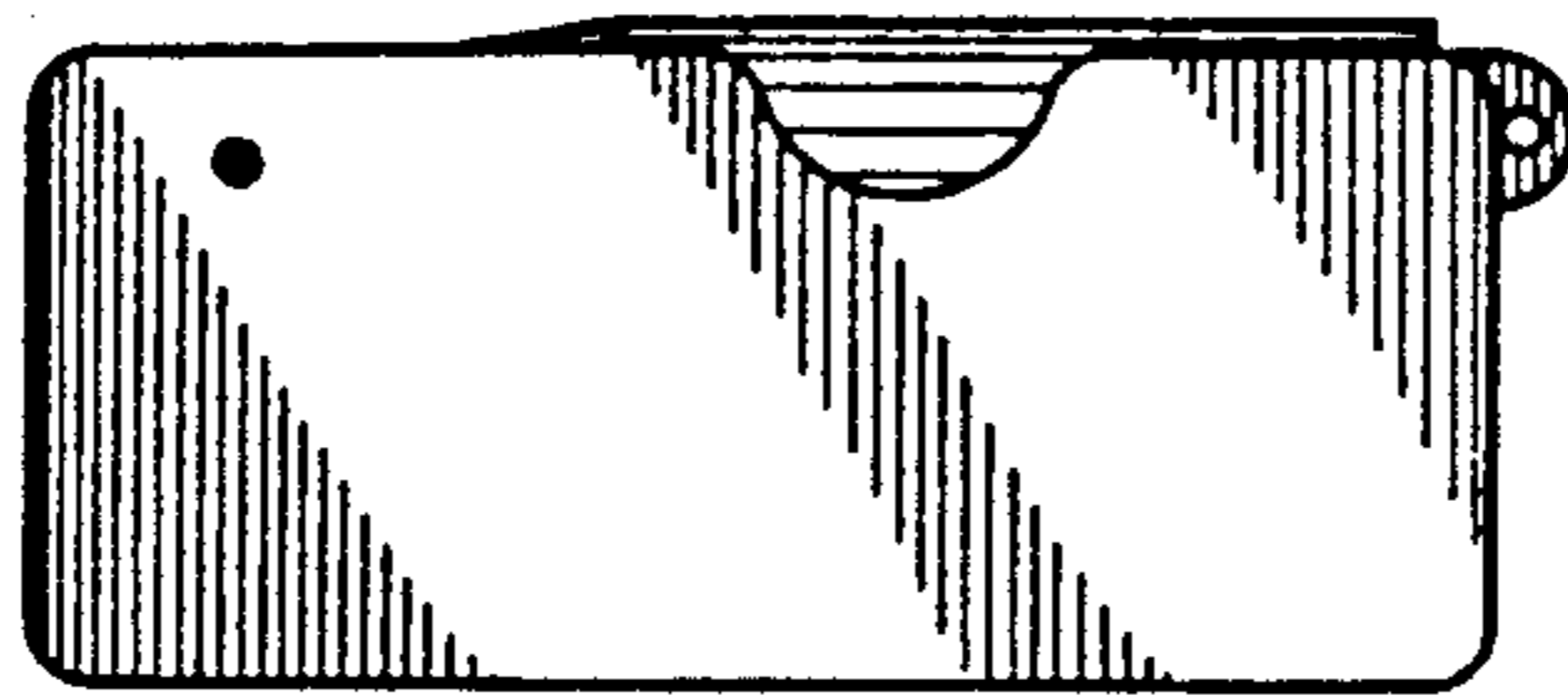


FIG. 3

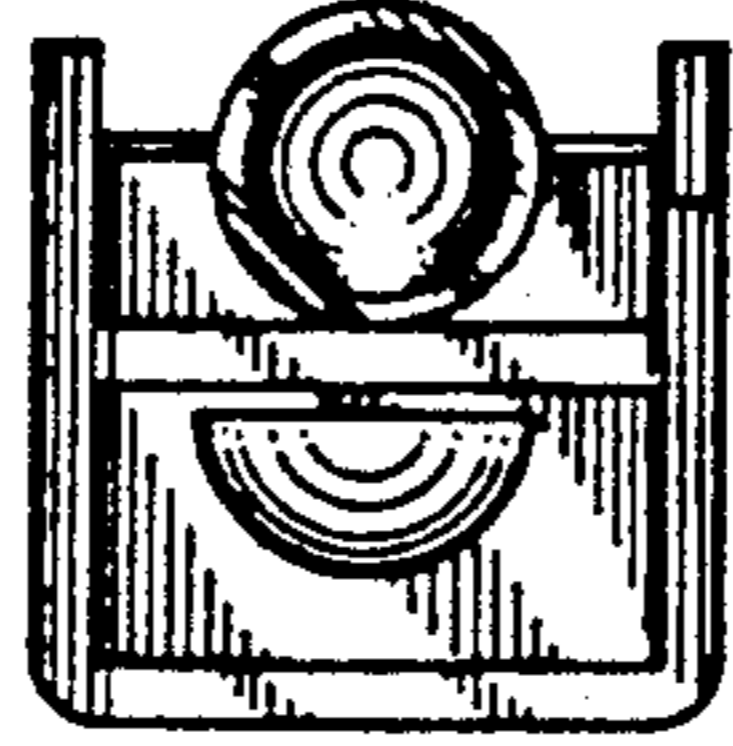


FIG. 4

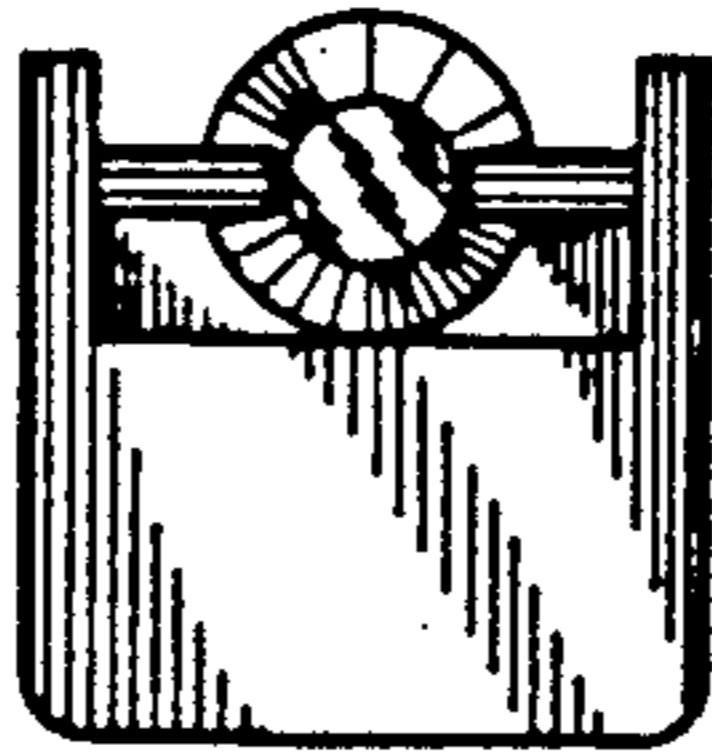


FIG. 5

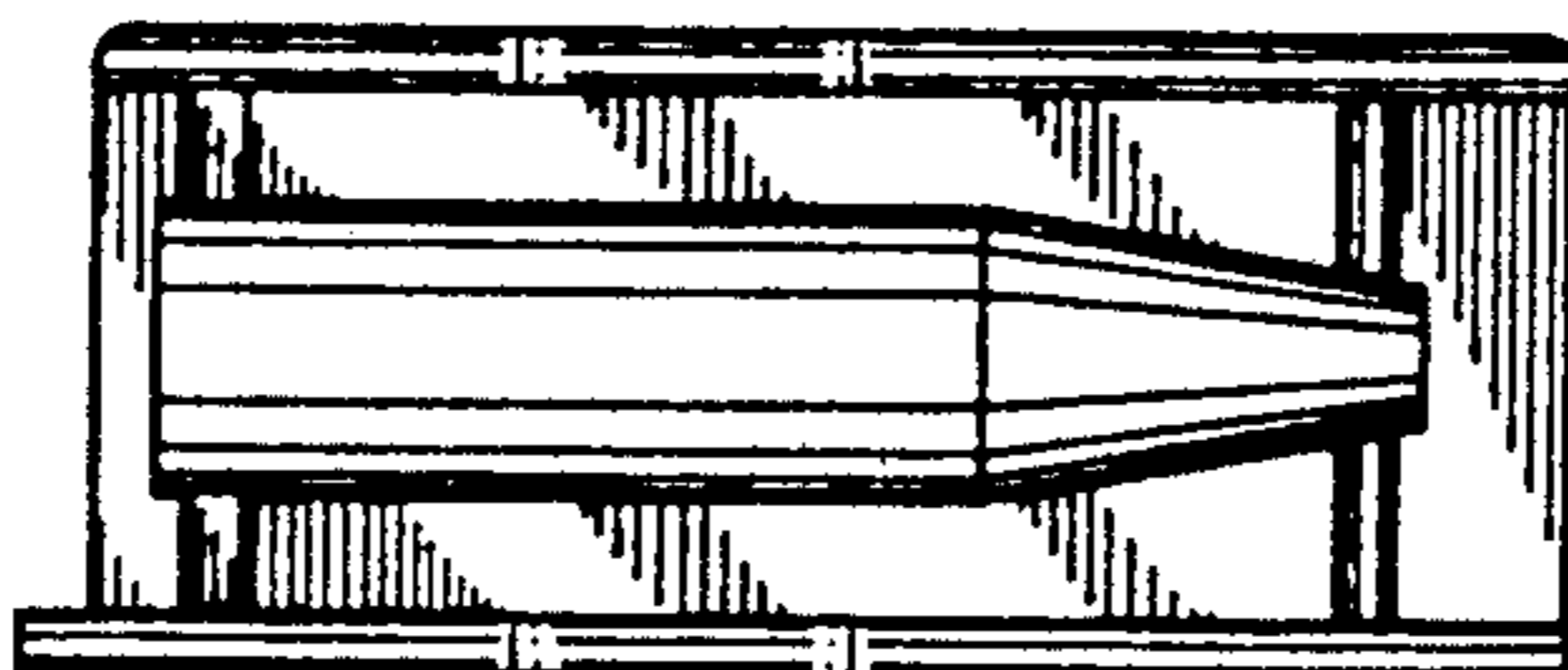


FIG. 6

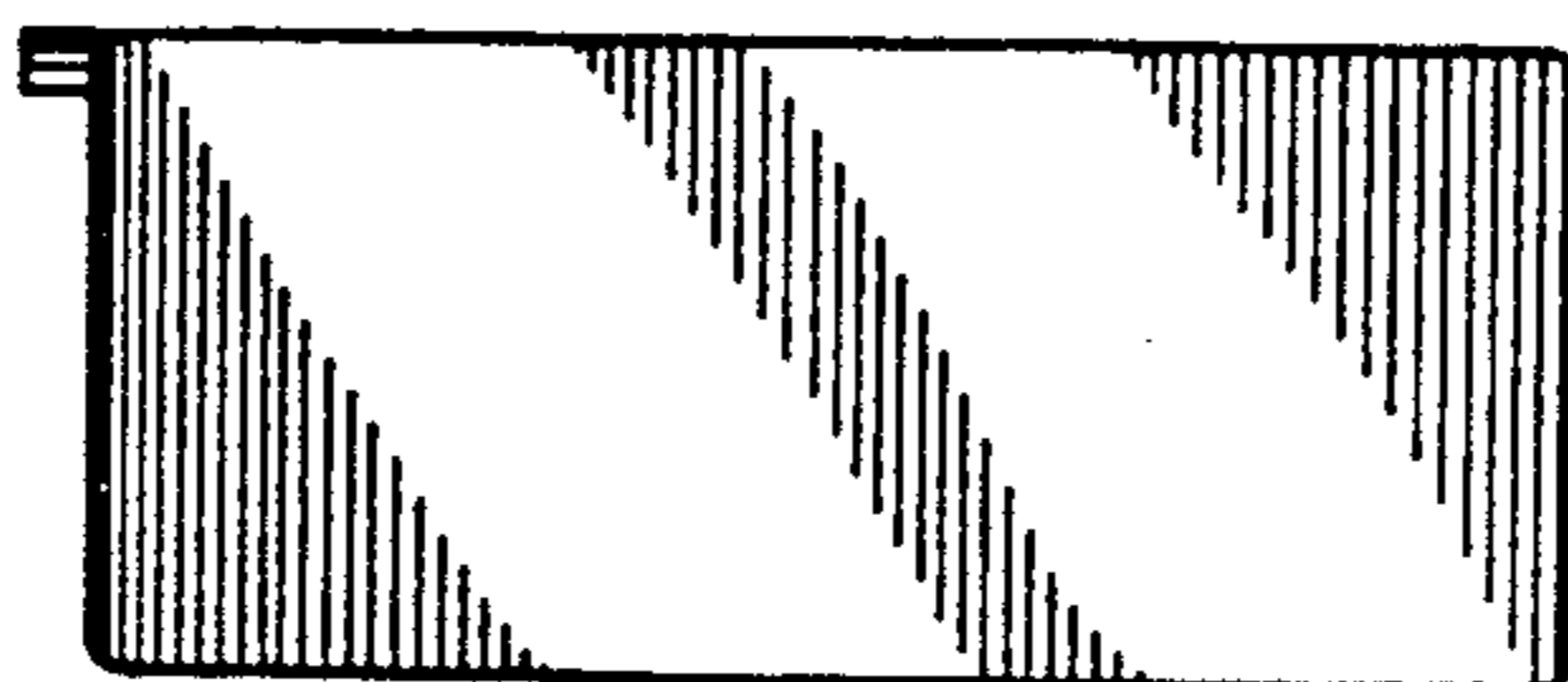


FIG. 7

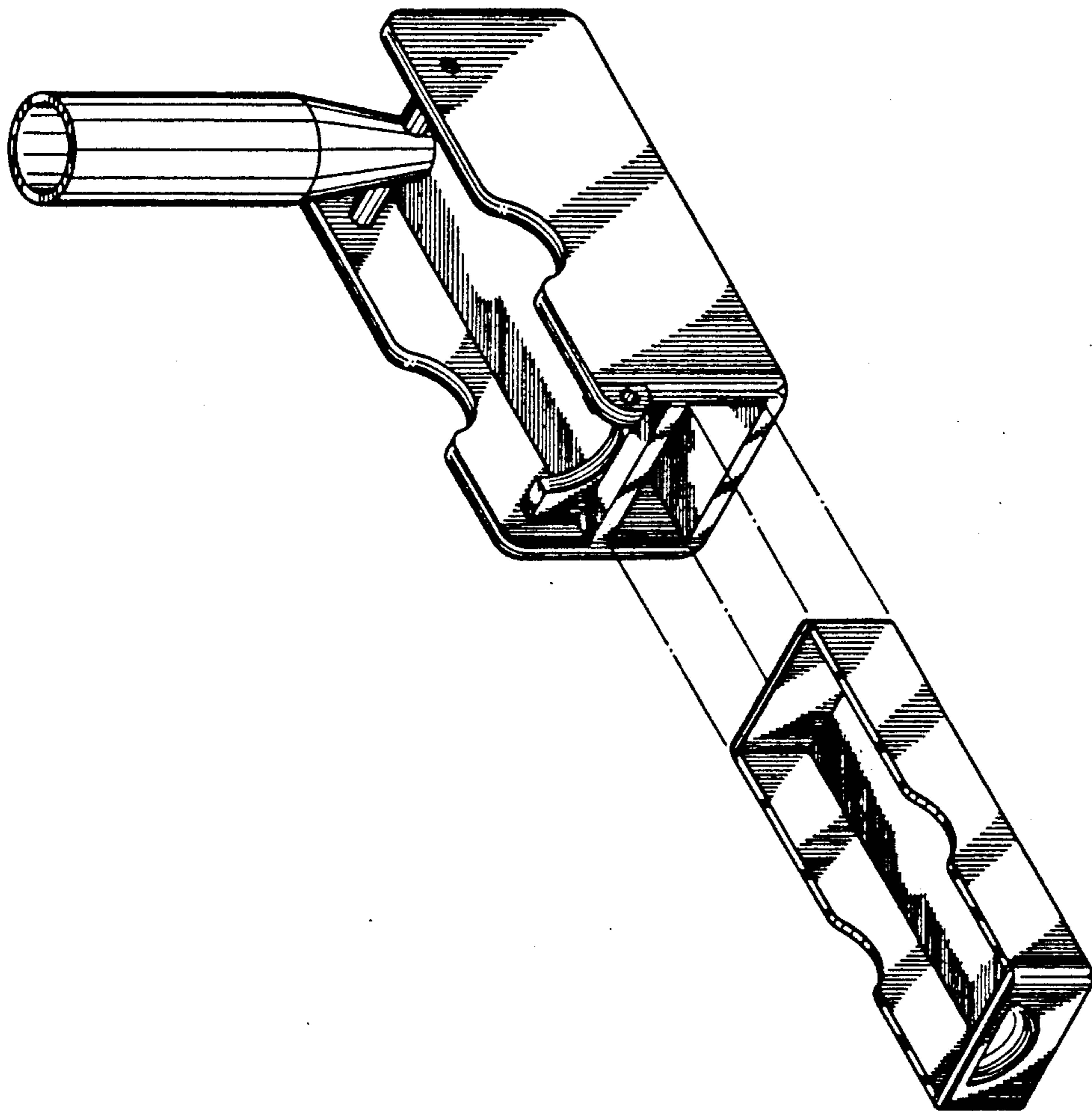


FIG. 8