

[54] WEATHERPROOF HOUSING FOR A REMOTELY CONTROLLED ADJUSTABLE SPOTLIGHT SYSTEM

[75] Inventor: Danny C. Jones, Clifton, Tex.

[73] Assignee: Star Beam Inc., Dallas, Tex.

[**] Term: 14 Years

[21] Appl. No.: 189,601

[22] Filed: May 2, 1988

[52] U.S. Cl. D26/140; D13/184; D26/63

[58] Field of Search D26/60-65, D26/138, 140; 362/269, 275, 287, 418, 419, 427, 428; D13/110, 184, 112

[56] References Cited

U.S. PATENT DOCUMENTS

D. 161,660	1/1951	Sternaman	D26/140 X
D. 264,253	5/1982	Goldschmidt et al.	D26/63
D. 269,553	6/1983	Johnson et al.	D26/63
D. 301,634	6/1989	DeCandia	D26/63
2,689,909	9/1954	Dazley	D26/63 X
4,380,792	4/1983	Terrell	362/275 X

4,598,345	7/1986	Kleeman	362/286 X
4,729,077	3/1988	Gordin et al.	362/285

Primary Examiner—Susan J. Lucas
Attorney, Agent, or Firm—Timmons & Kelly

[57] CLAIM

The ornamental design for a weatherproof housing for a remotely controlled adjustable spotlight system, as shown and described.

DESCRIPTION

FIG. 1 is a top, front perspective view of a weatherproof housing for a remotely controlled adjustable spotlight system showing my new design, the rotatable spotlights on the side of the housing being shown in broken lines for illustrative purposes only;

FIG. 2 is a front elevation thereof on an enlarged scale;

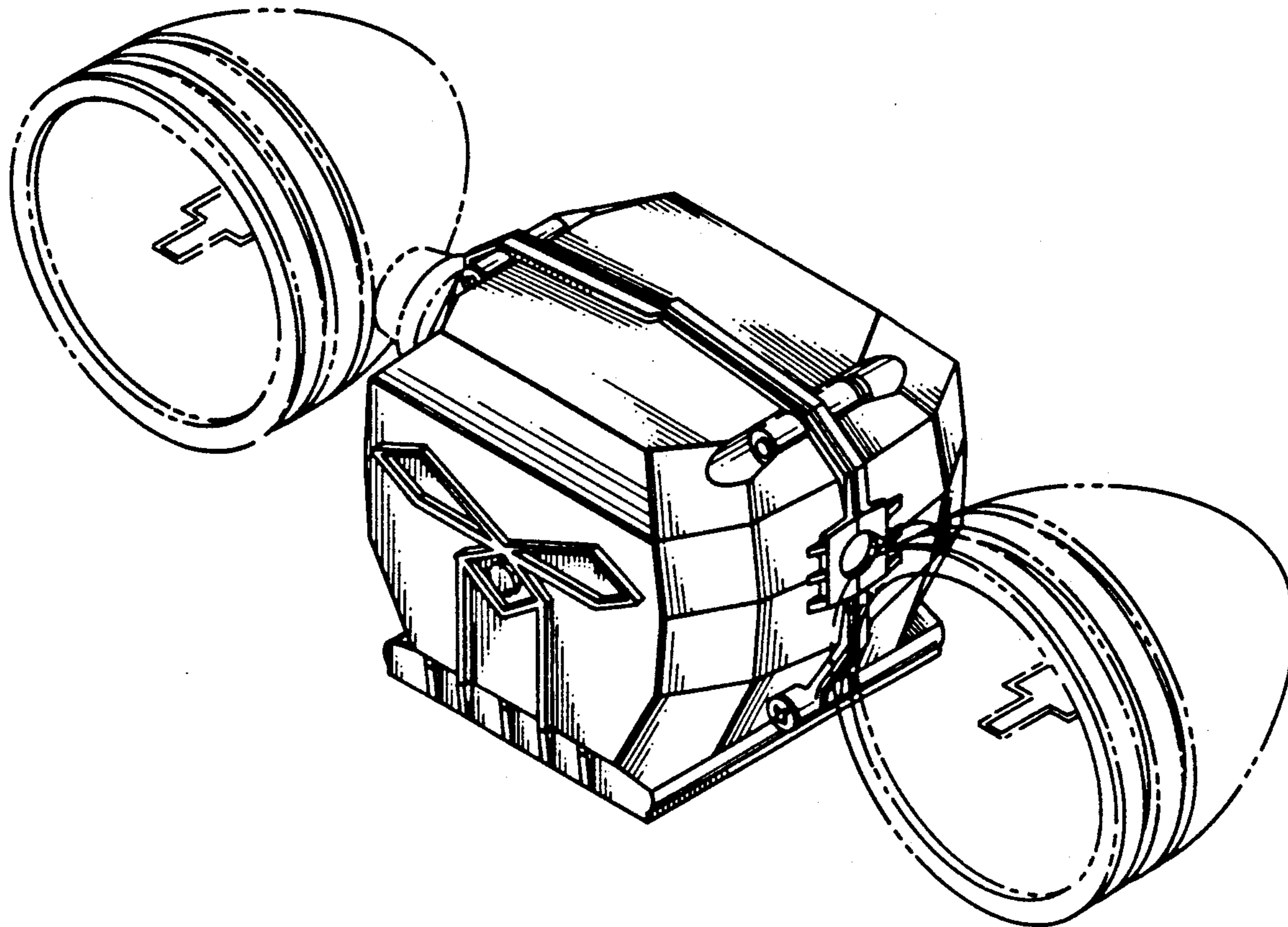
FIG. 3 is a right side elevation thereof on an enlarged scale;

FIG. 4 is a rear elevation thereof on an enlarged scale;

FIG. 5 is a left side elevation thereof on an enlarged scale;

FIG. 6 is a top plan view thereof on an enlarged scale;

FIG. 7 is a bottom plan view thereof on an enlarged scale.



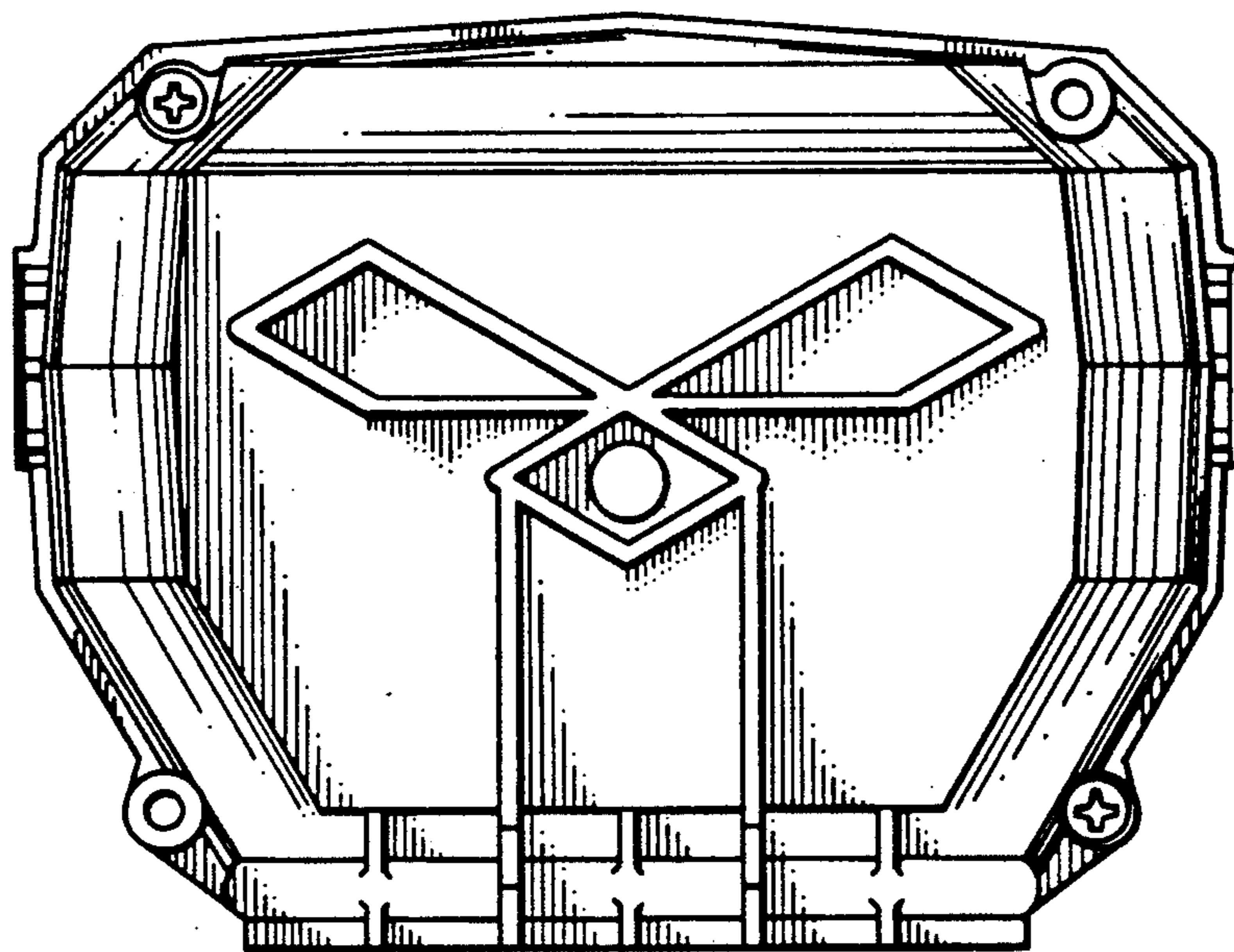
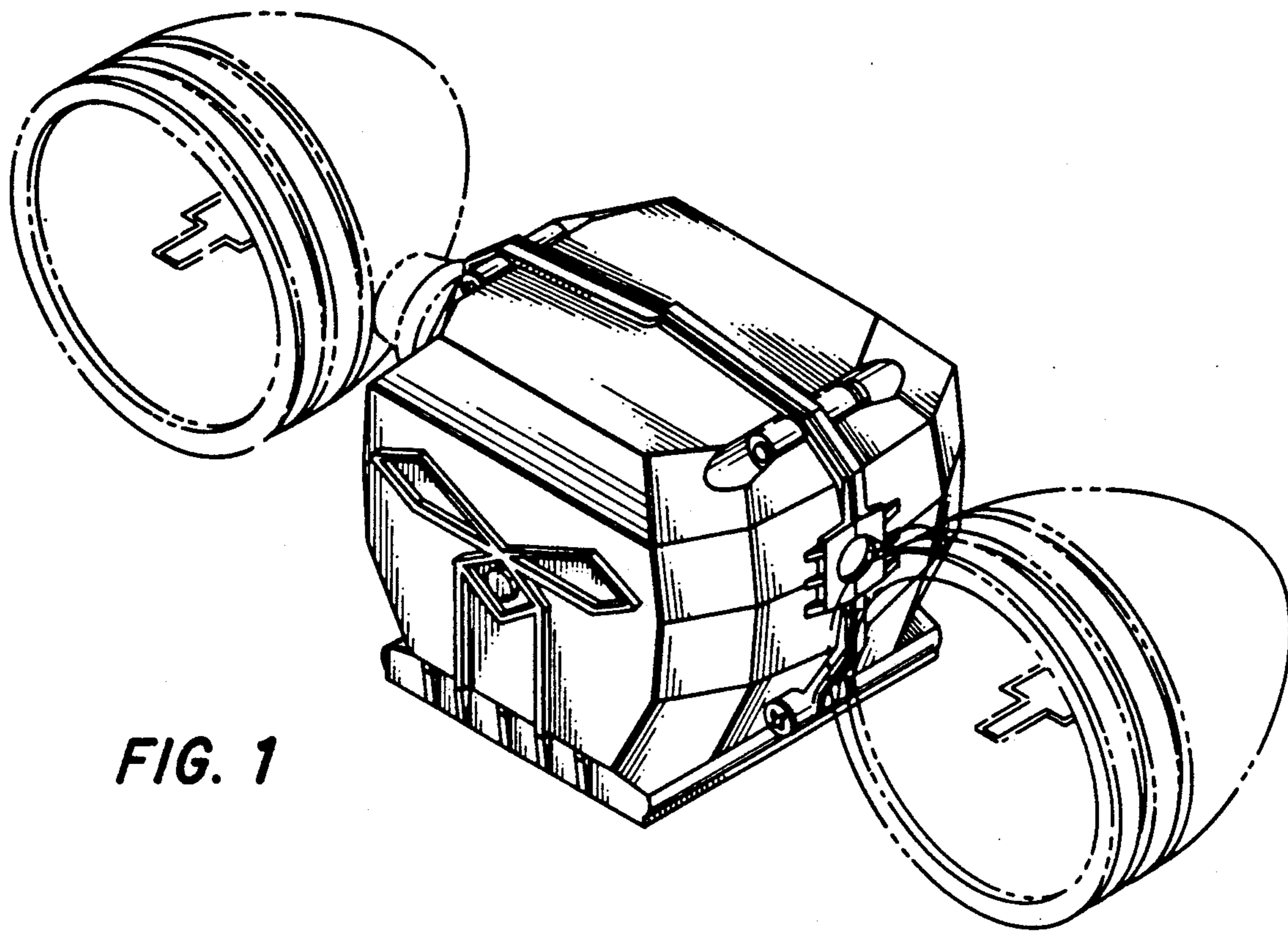


FIG. 3

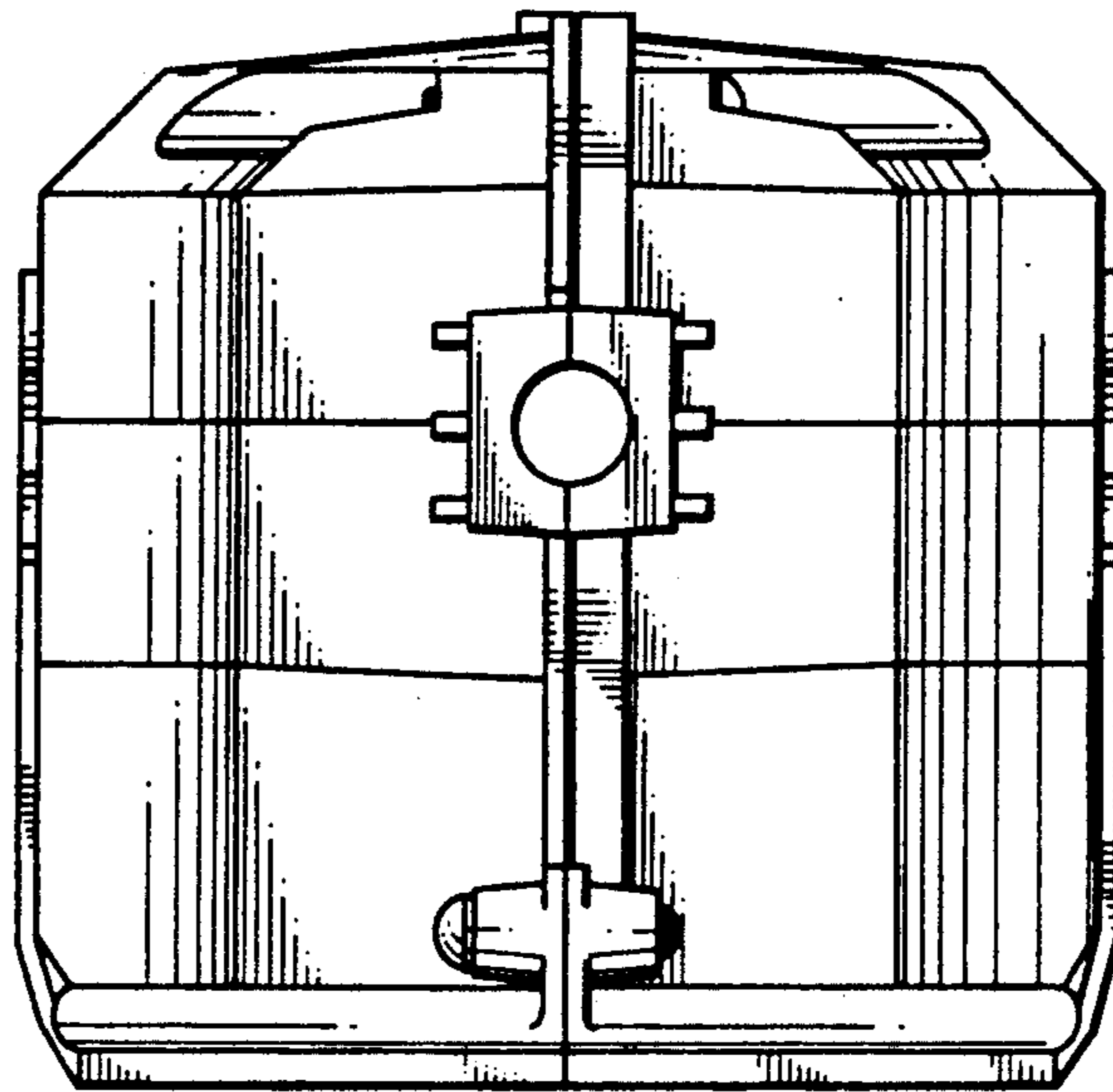


FIG. 4

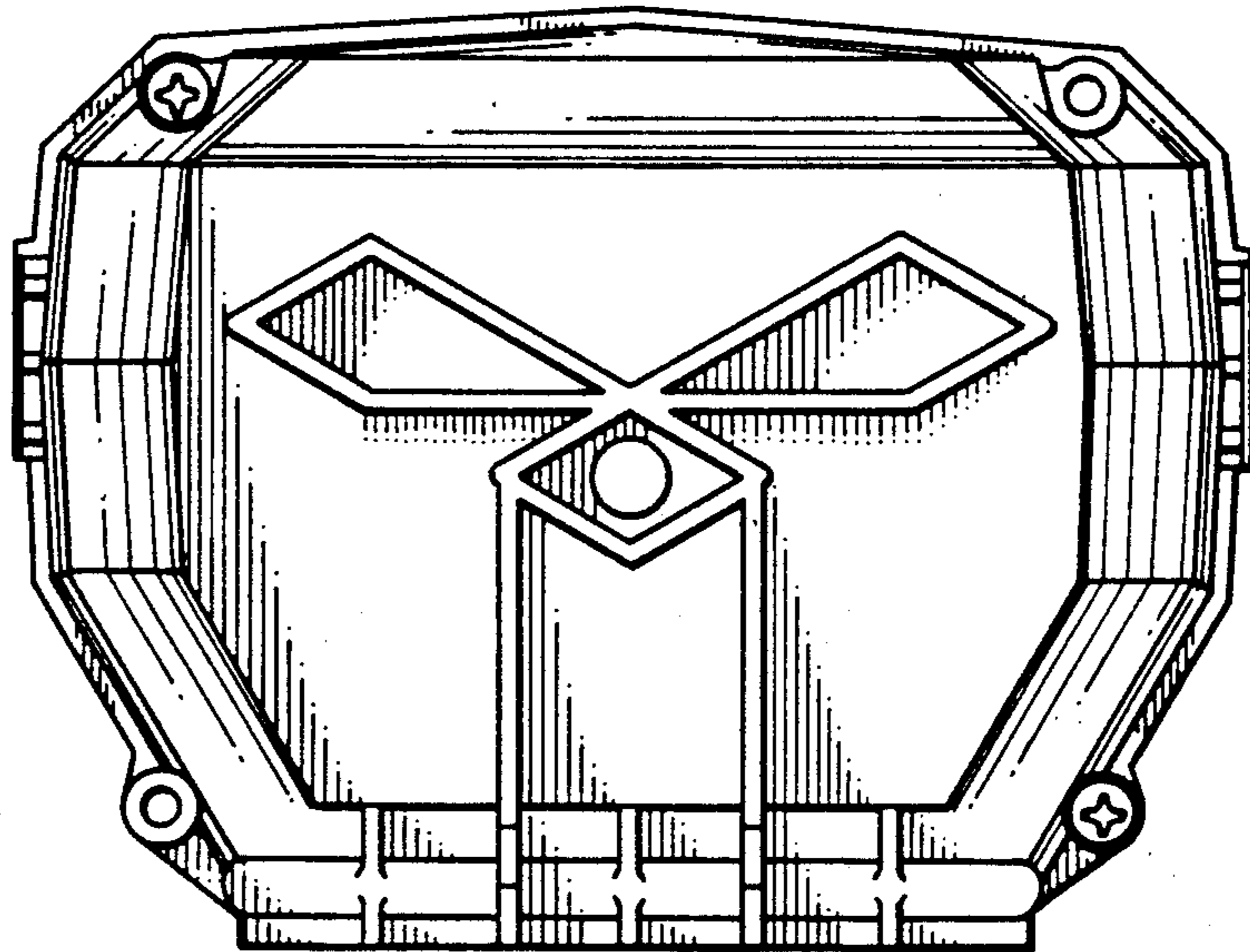
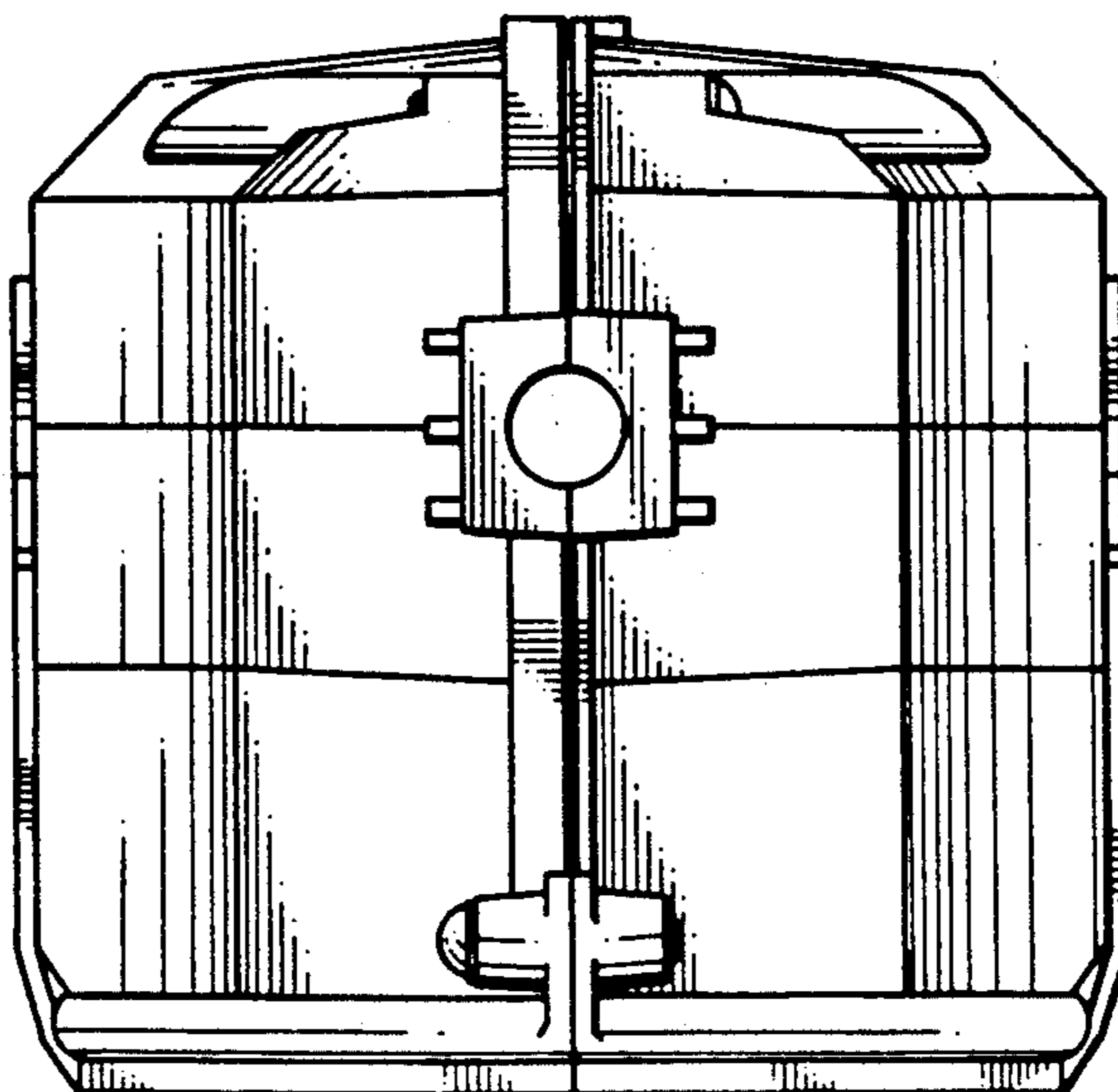


FIG. 5



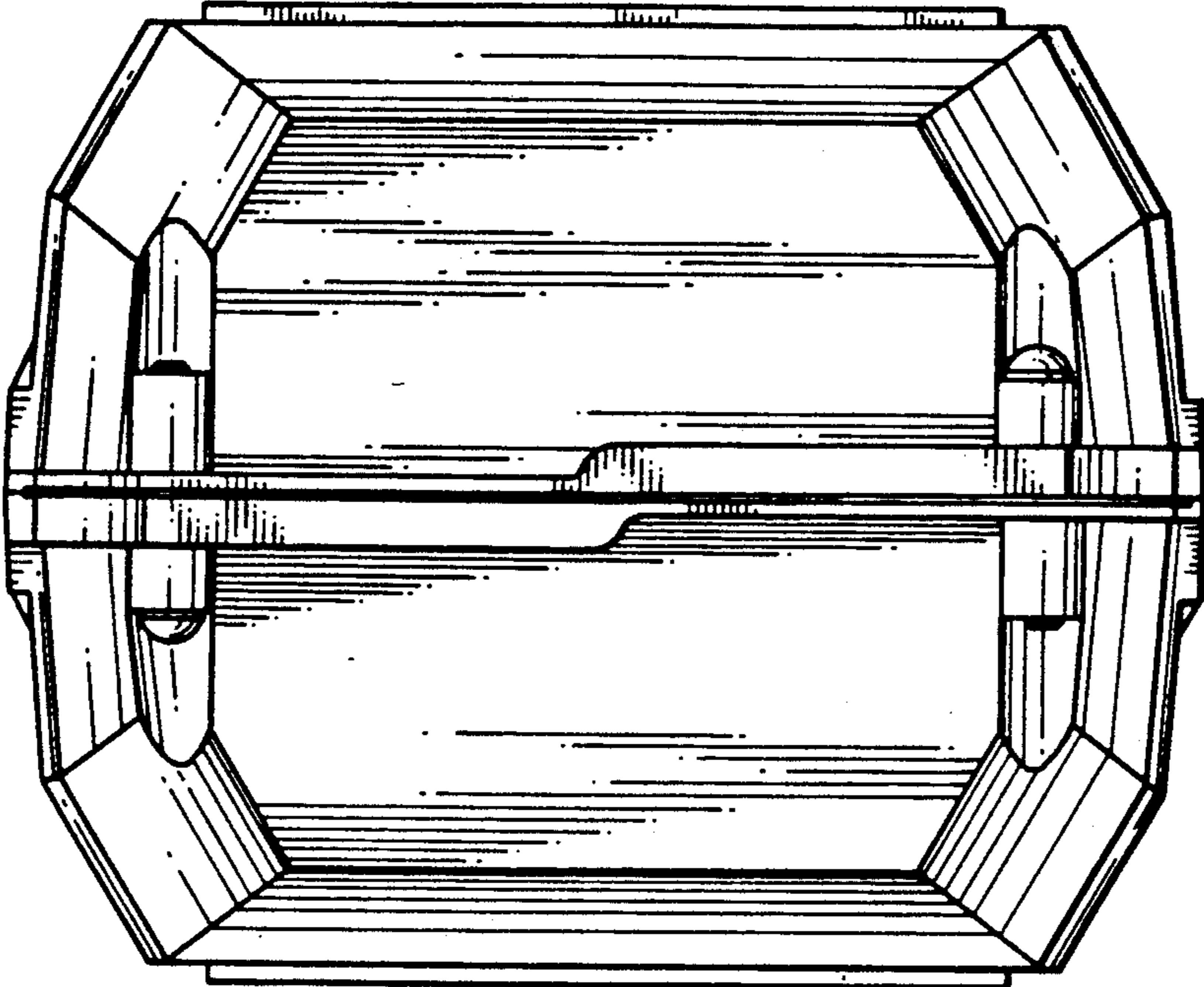


FIG. 6

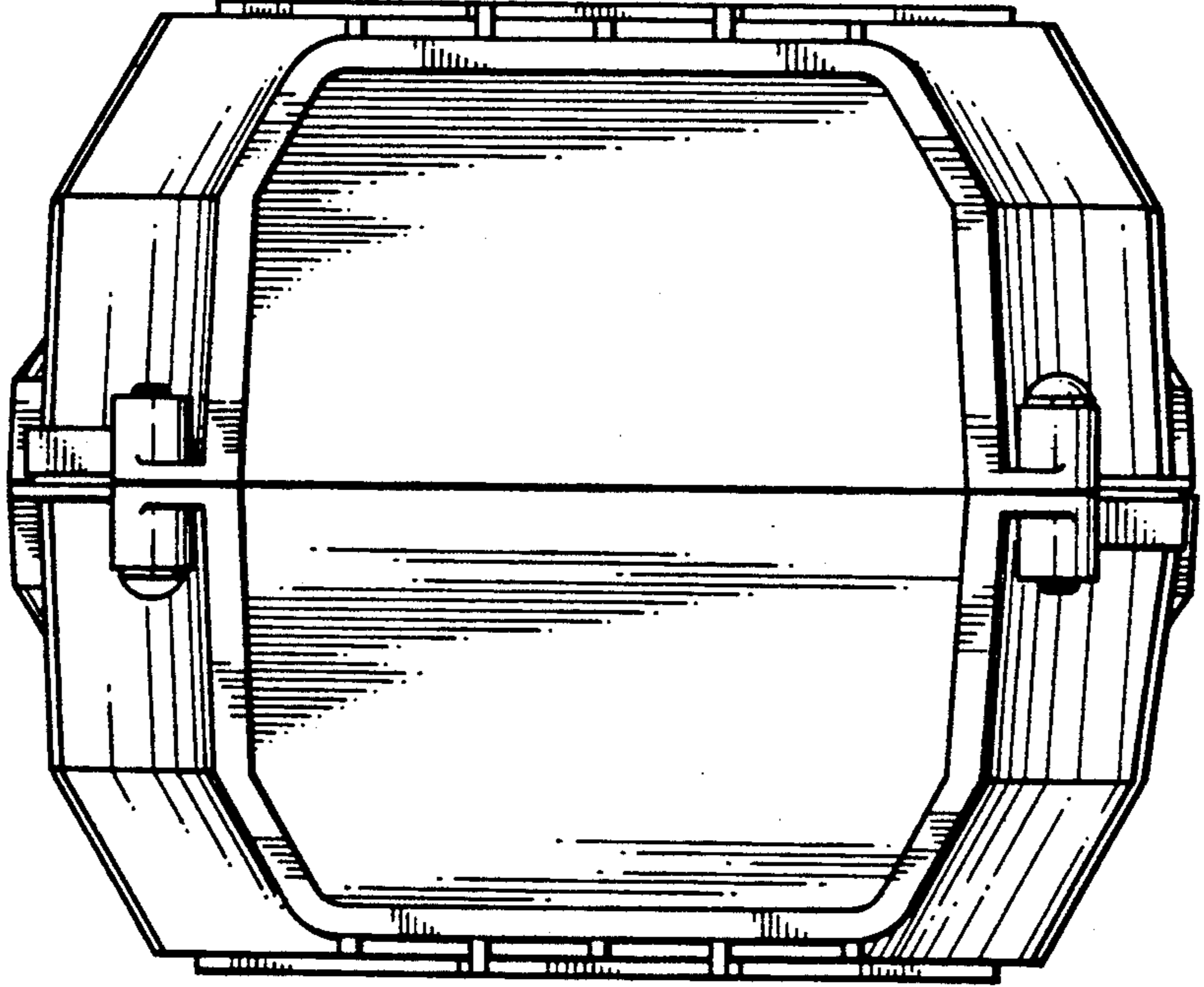


FIG. 7