

[54] TABLE LAMP

[75] Inventor: Franca Miserendino, Rome, Italy

[73] Assignee: Cil Italia S.R.L., Rome, Italy

[**] Term: 14 Years

[21] Appl. No.: 367,093

[22] Filed: Jun. 15, 1989

[30] Foreign Application Priority Data

Dec. 20, 1988 [IT] Italy 36082/88[U]

[52] U.S. Cl. D26/107; D26/134

[58] Field of Search D26/93, 102-112,
D26/128-136; 362/410-414

[56] References Cited

U.S. PATENT DOCUMENTS

- D. 104,185 4/1937 Davis D26/107
- D. 111,540 9/1938 Guyer D26/102
- D. 226,324 2/1973 Longato D26/107

D. 291,604 8/1987 Watson D26/107 X

OTHER PUBLICATIONS

Home Lighting & Accessories, 8-1986, p. 60, Derby hanging lamp.

Primary Examiner—Susan J. Lucas

Attorney, Agent, or Firm—Barnes, Kisselle, Raisch, Choate, Whittemore & Hulbert

[57] CLAIM

The ornamental design for a table lamp, as shown and described.

DESCRIPTION

FIG. 1 is a front elevational view of a table lamp showing my new design;

FIG. 2 is a left side elevational view thereof;

FIG. 3 is a rear elevational view thereof;

FIG. 4 is a right side elevational view thereof;

FIG. 5 is a top plan view thereof;

FIG. 6 is a bottom plan view thereof;

FIG. 7 is a perspective view thereof.

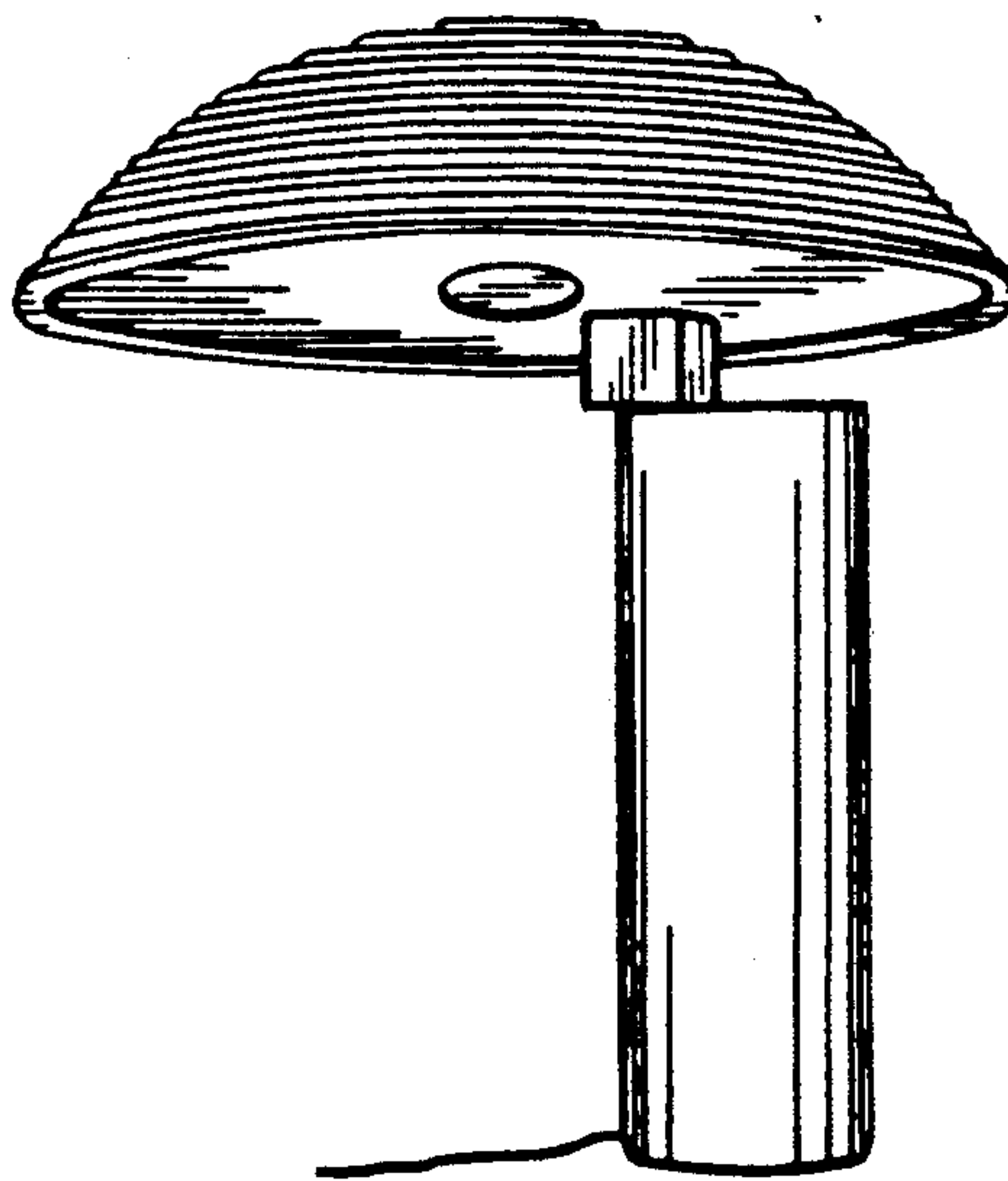


FIG.1

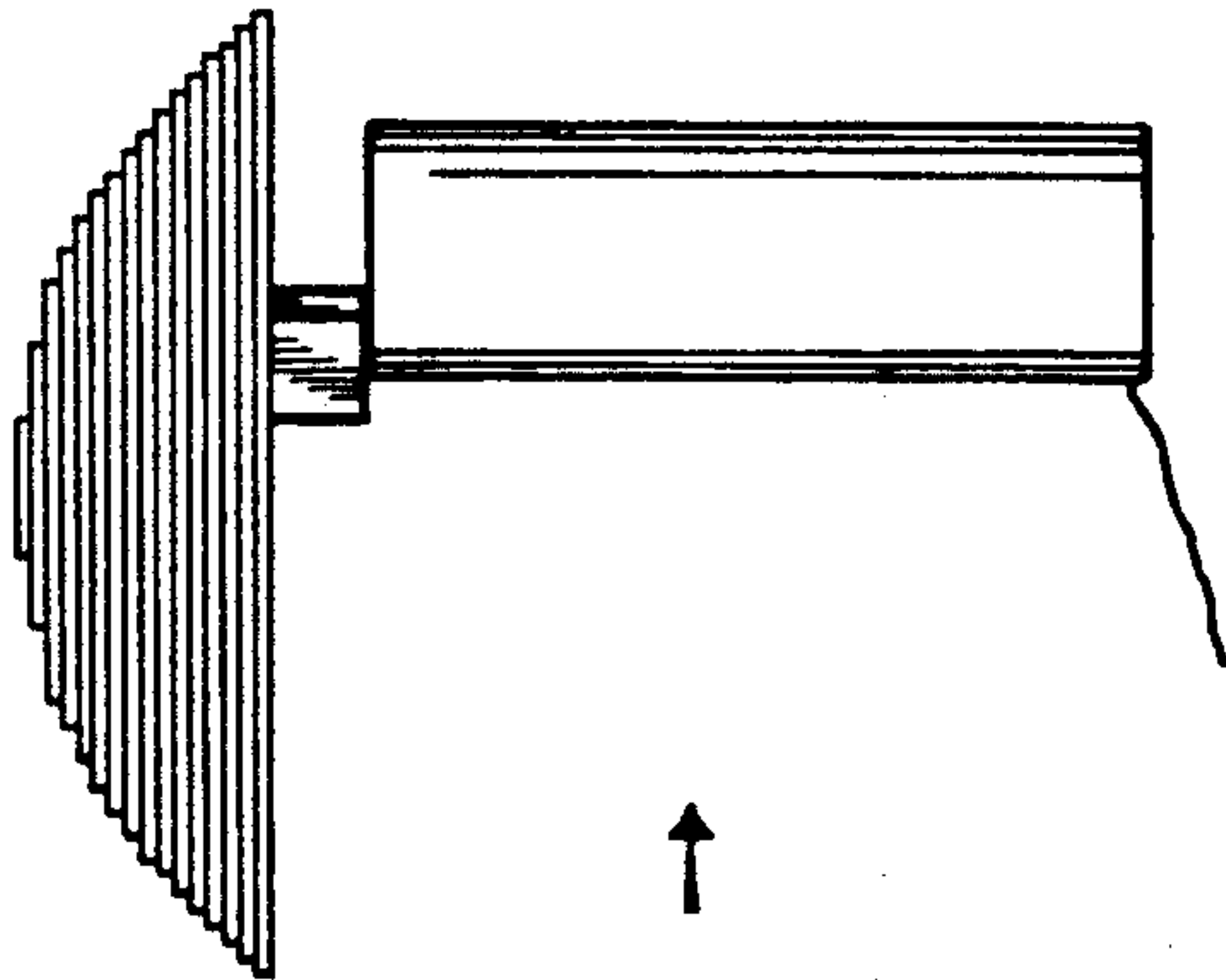


FIG.2

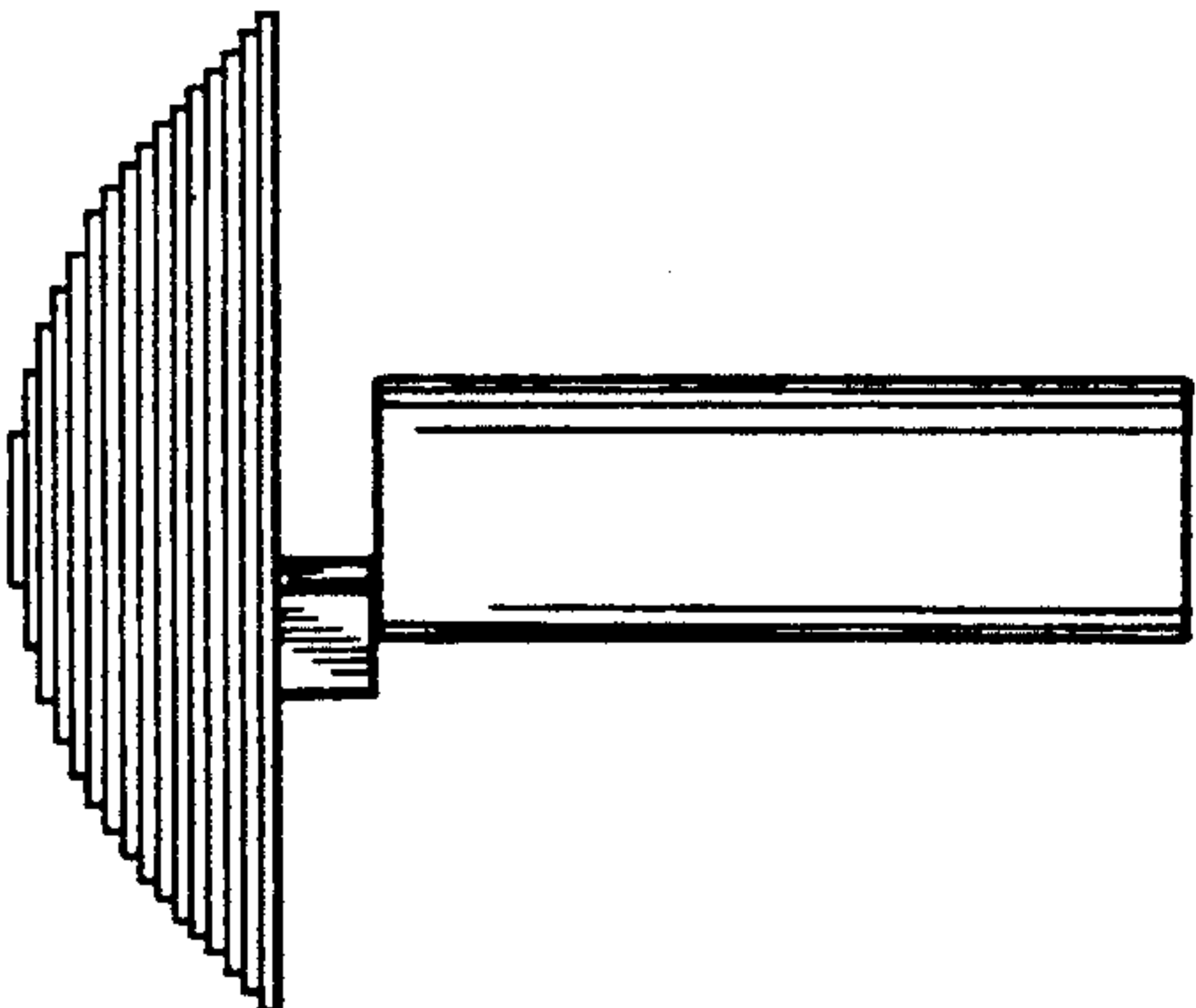


FIG.3

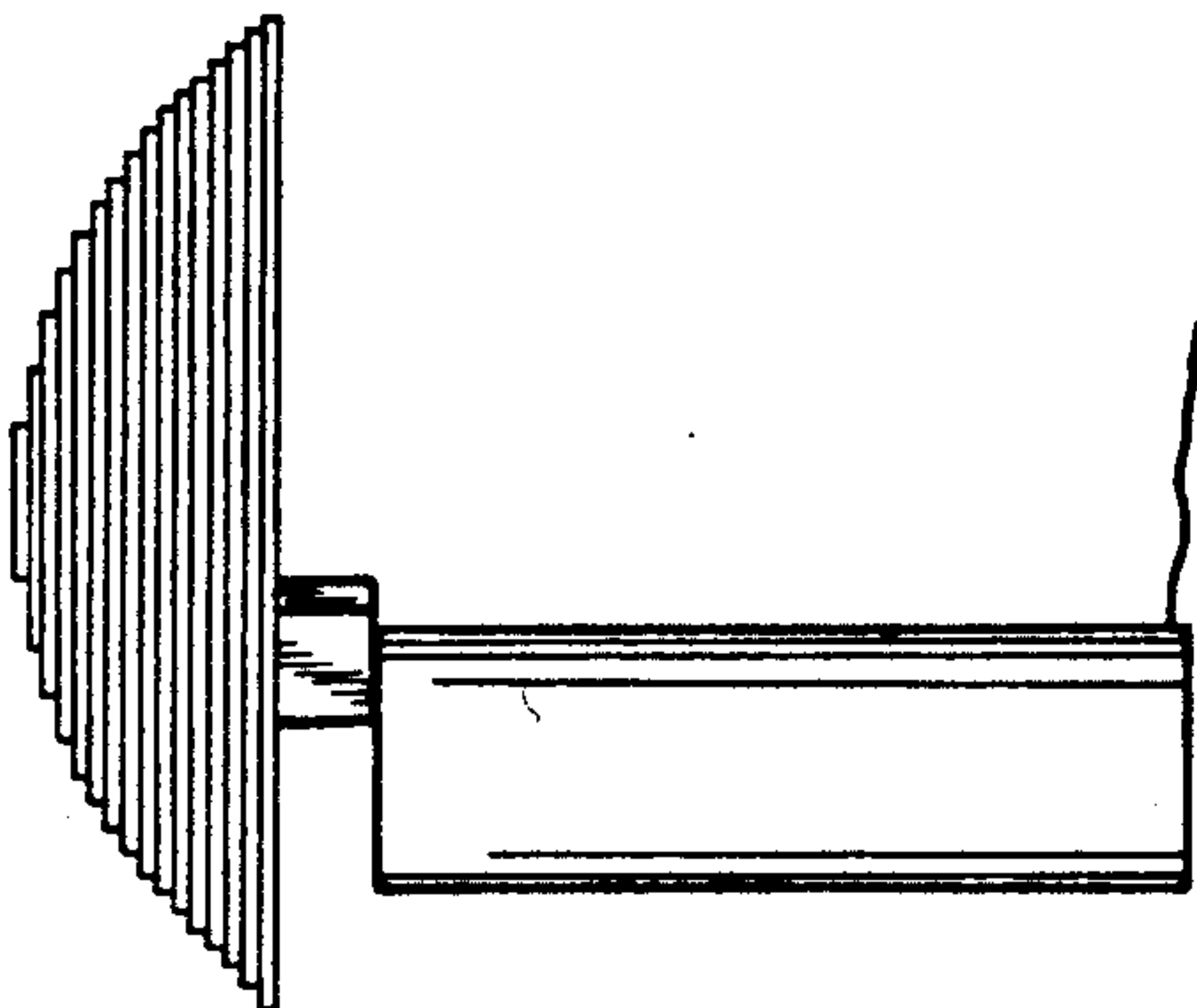


FIG.4

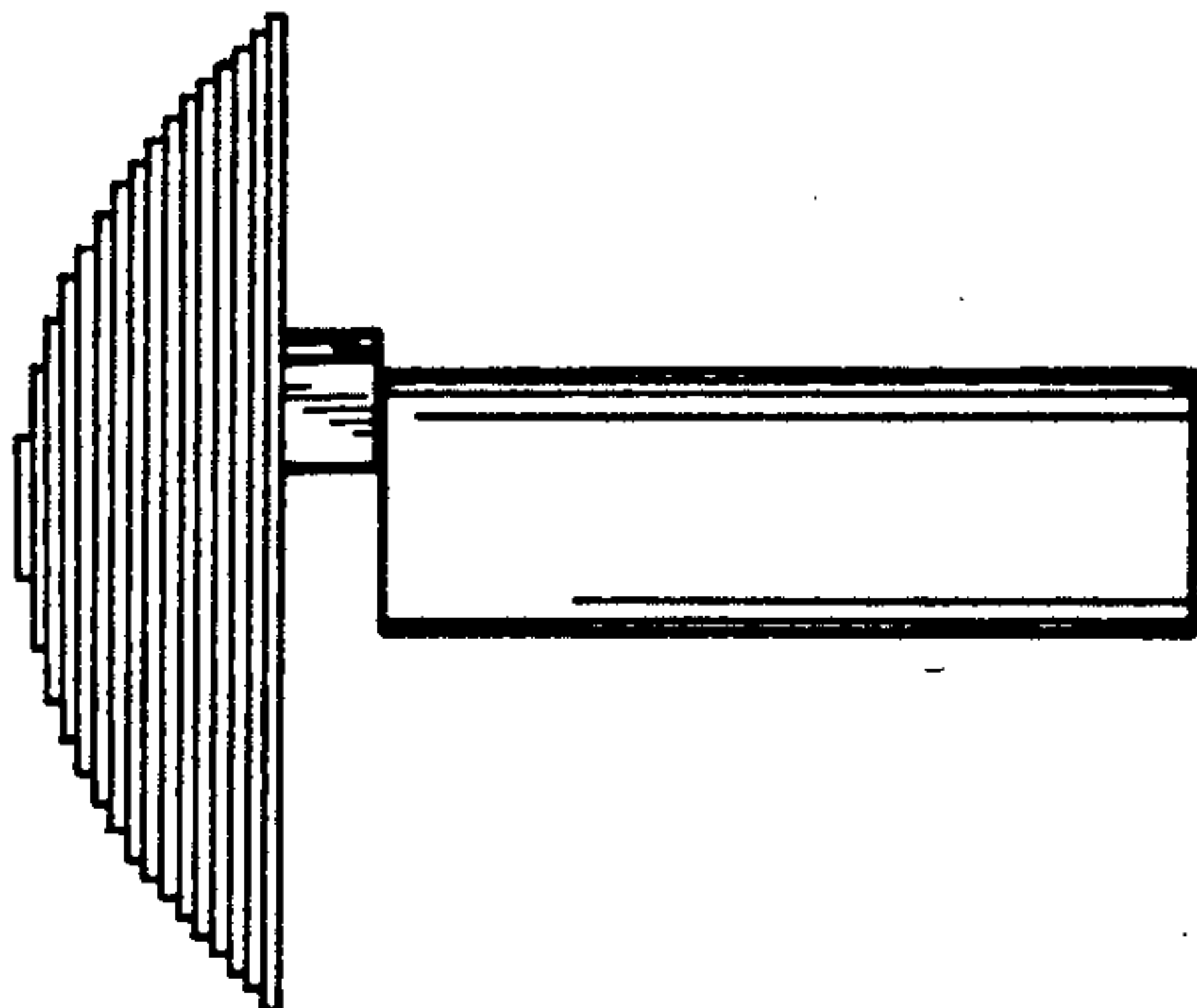


FIG.5

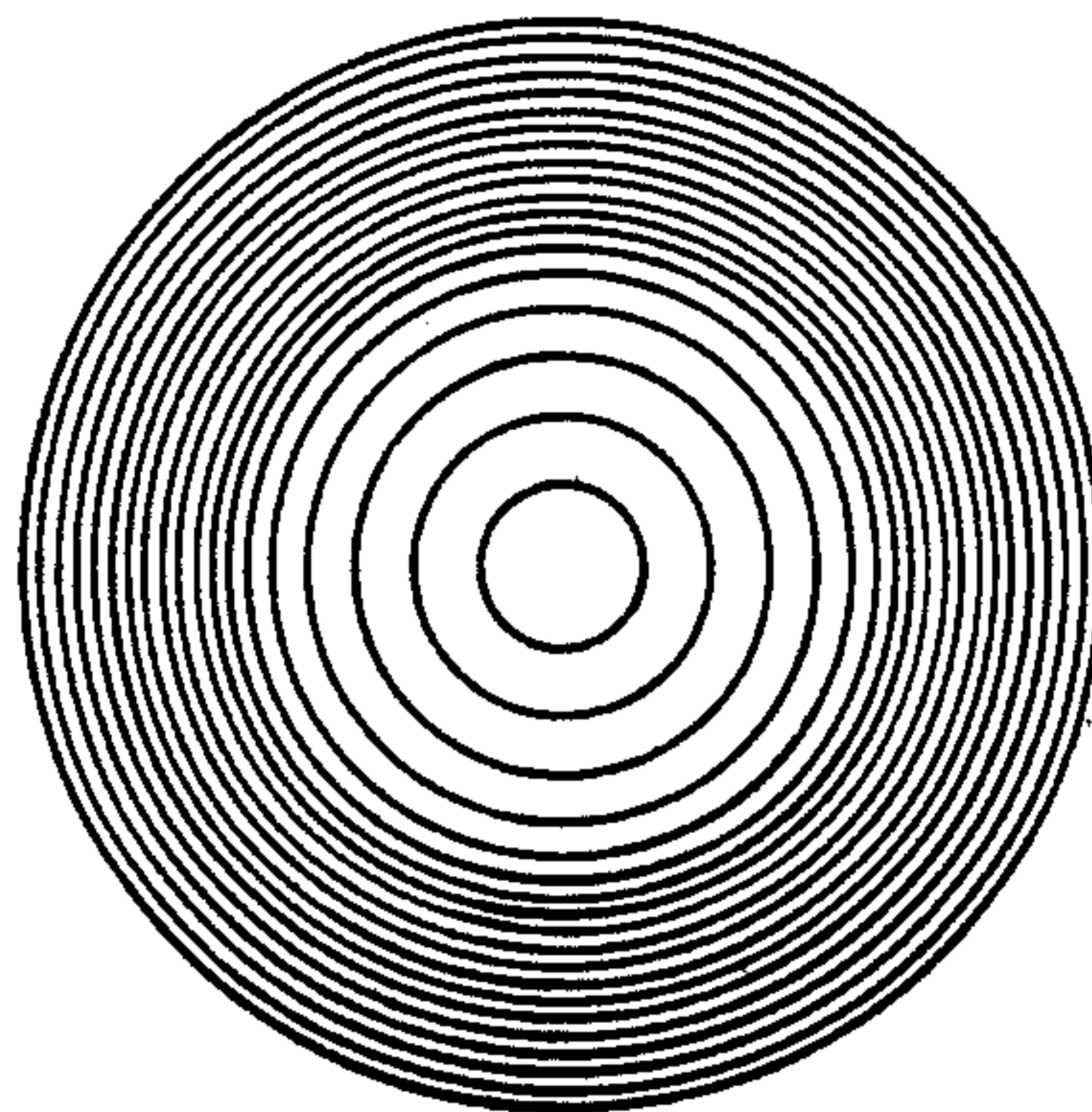


FIG.6

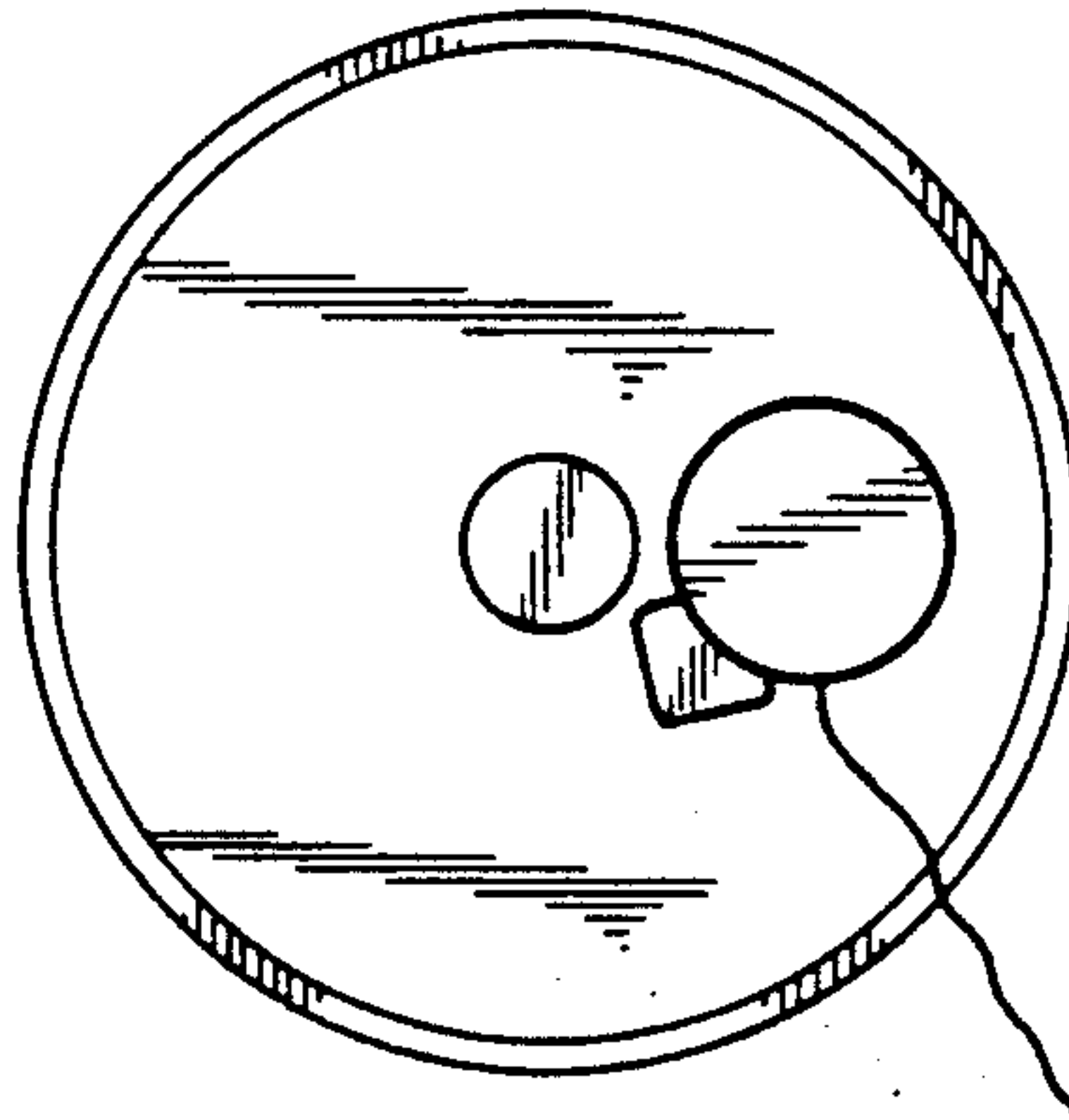


FIG.7

