

[54] ADJUSTABLE LIGHTING FIXTURE

[75] Inventor: Kenneth Kane, Southport, Conn.

[73] Assignee: Lighting Services, Inc., Stony Point, N.Y.

[**] Term: 14 Years

[21] Appl. No.: 386,132

[22] Filed: Jul. 28, 1989

[52] U.S. Cl. D26/63

[58] Field of Search D26/72, 80-92, D26/60-66; 362/362, 147, 404-408, 267, 275, 285, 418, 419, 427, 804

[56] References Cited

U.S. PATENT DOCUMENTS

| | | | |
|------------|---------|--------------------|---------|
| D. 287,413 | 12/1986 | Kusmer et al. | D26/65 |
| D. 293,720 | 1/1988 | Witte | D26/63 |
| 4,581,689 | 4/1986 | Oram | 362/275 |

OTHER PUBLICATIONS

Lazin Lighting Brochure, 1986 "Grip 36" series spot light, front cover.

Primary Examiner—Susan J. Lucas
Attorney, Agent, or Firm—Henry R. Lerner

[57] CLAIM

The ornamental design for an adjustable lighting fixture, as shown.

DESCRIPTION

FIG. 1 is the front, right side perspective view of an adjustable lighting fixture showing my new design; FIG. 2 is a top plan view thereof; FIG. 3 is a rear elevational view thereof; FIG. 4 is a front elevational view thereof; FIG. 5 is a right side elevational view thereof; FIG. 6 is a left side elevational view thereof; and FIG. 7 is a bottom plan view thereof.

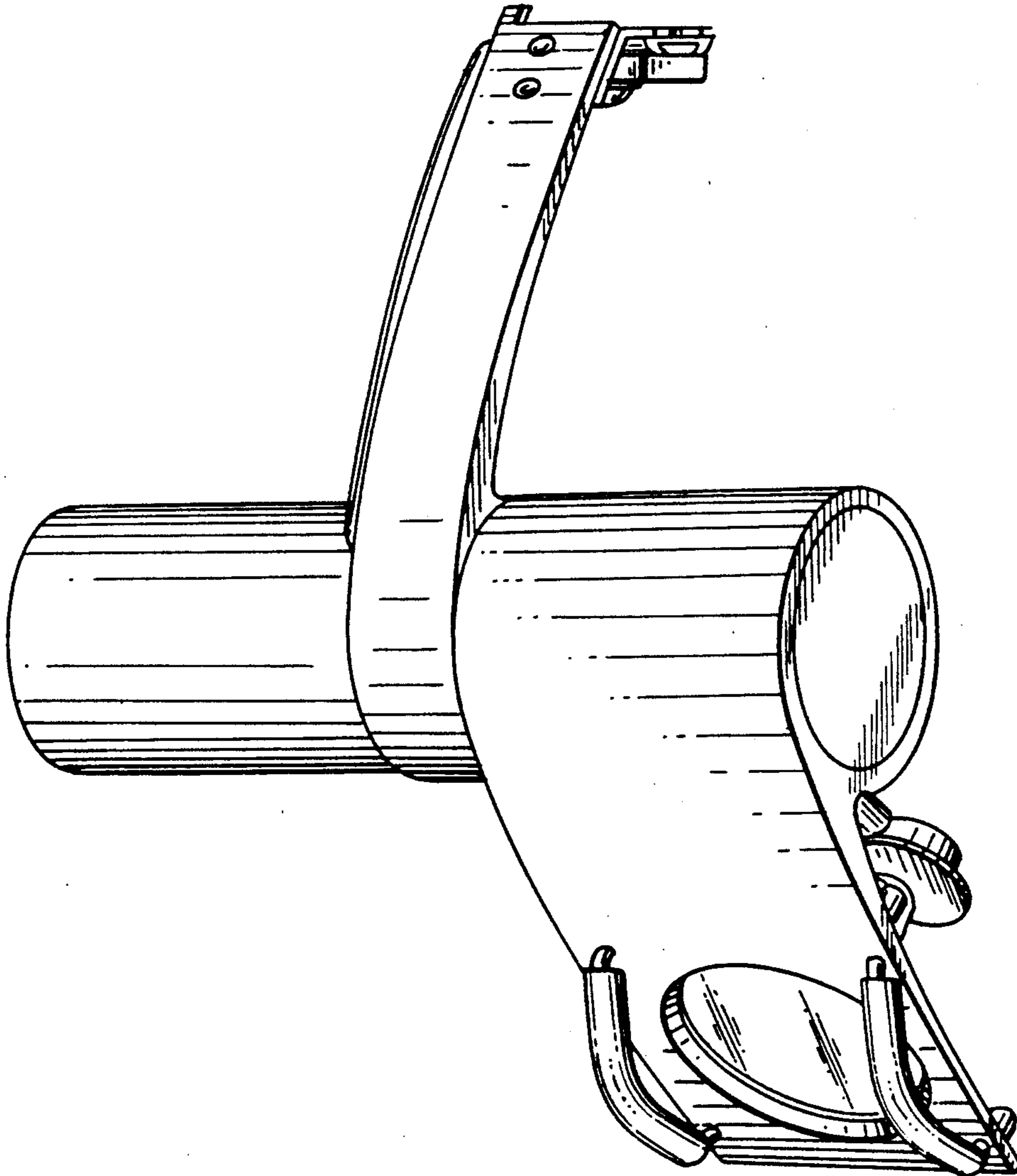
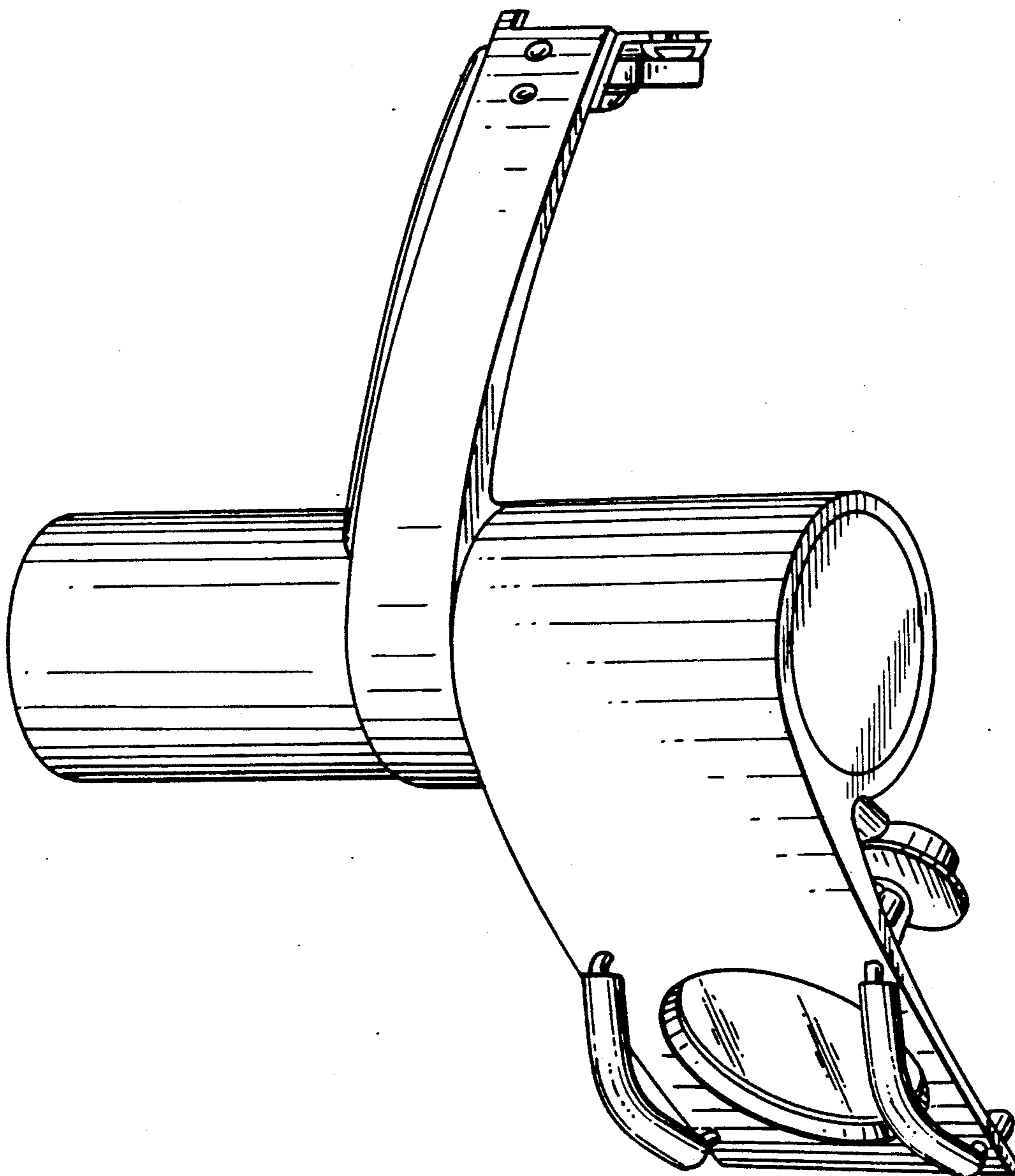


FIG. 1



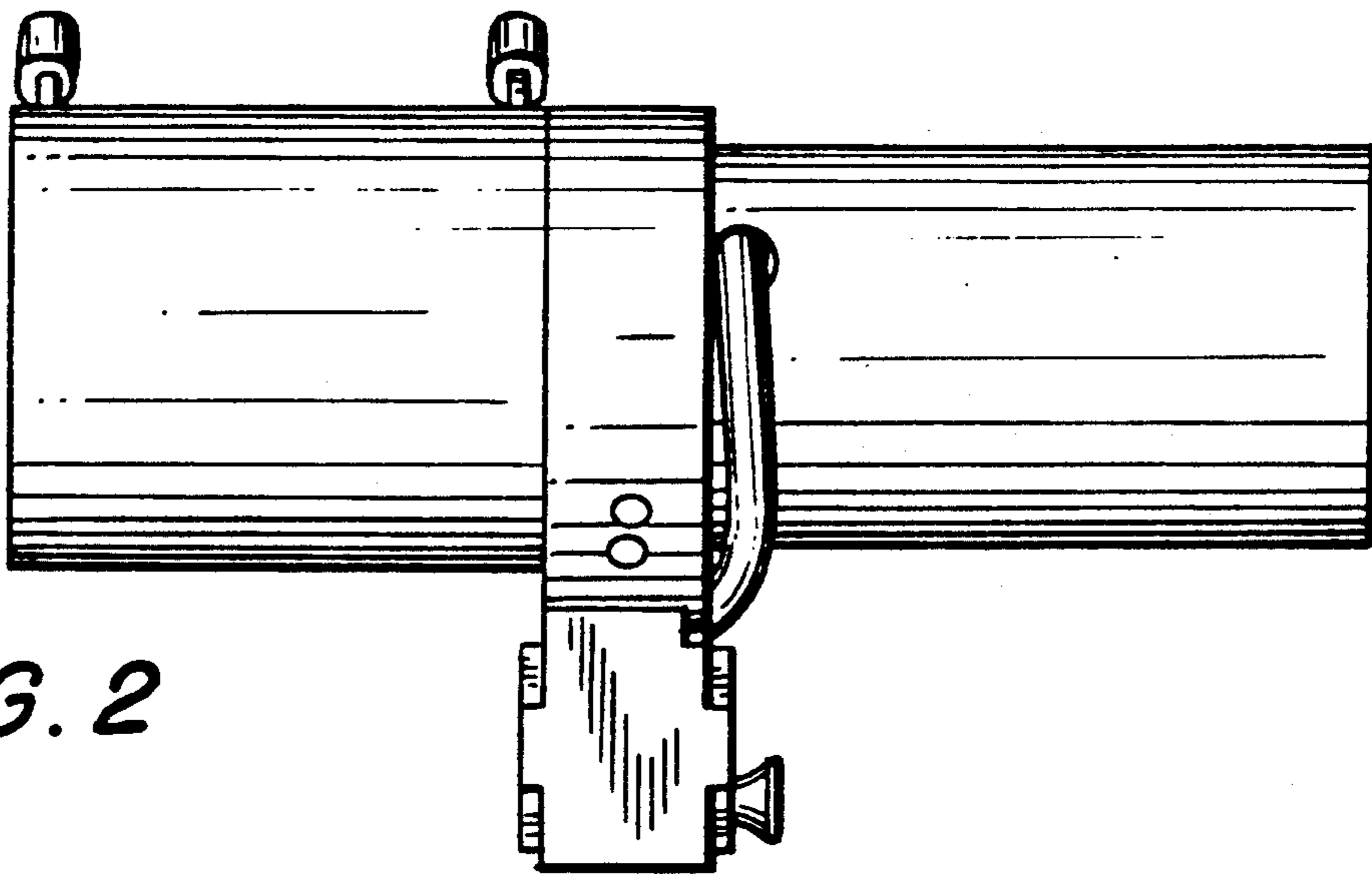


FIG. 2

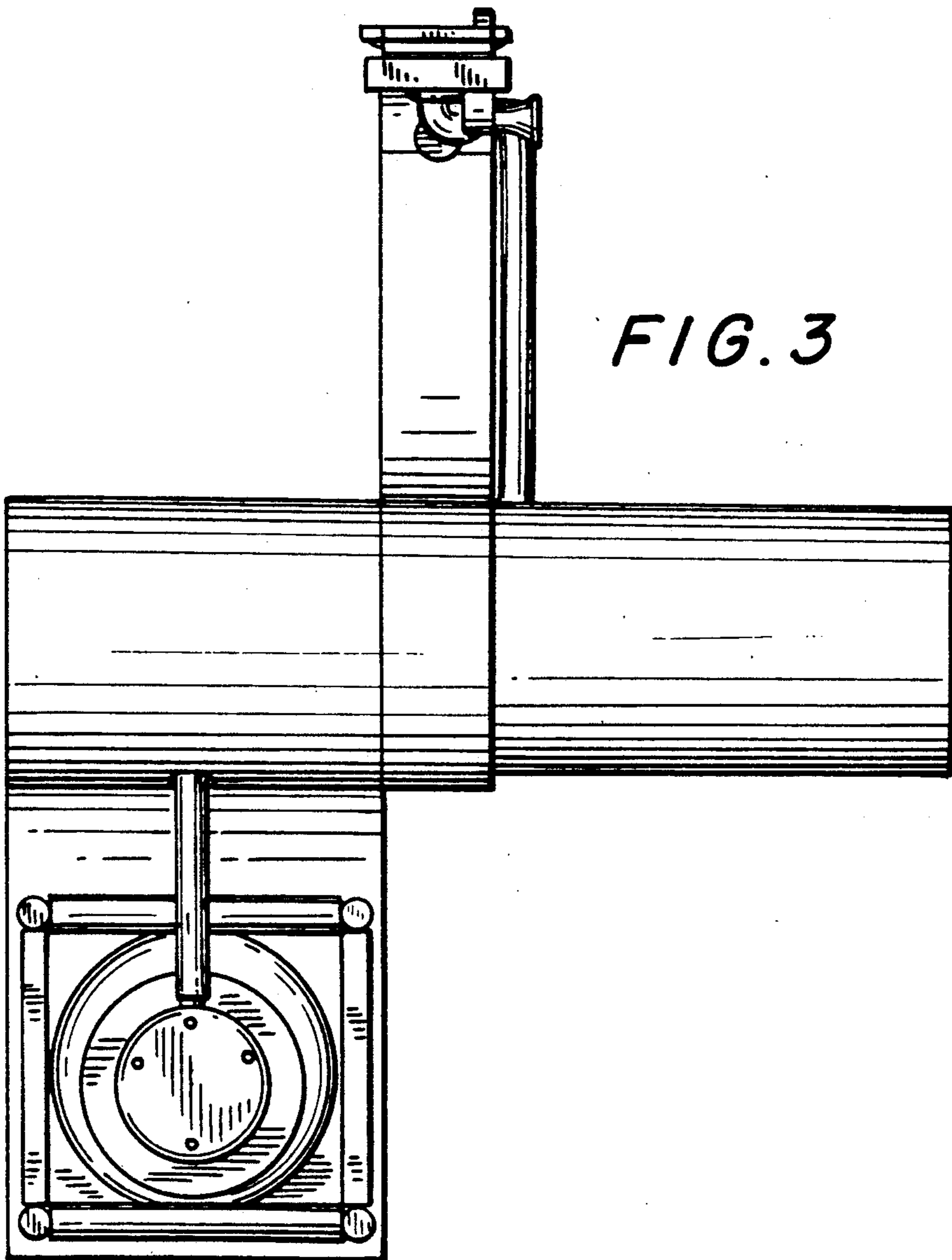


FIG. 3

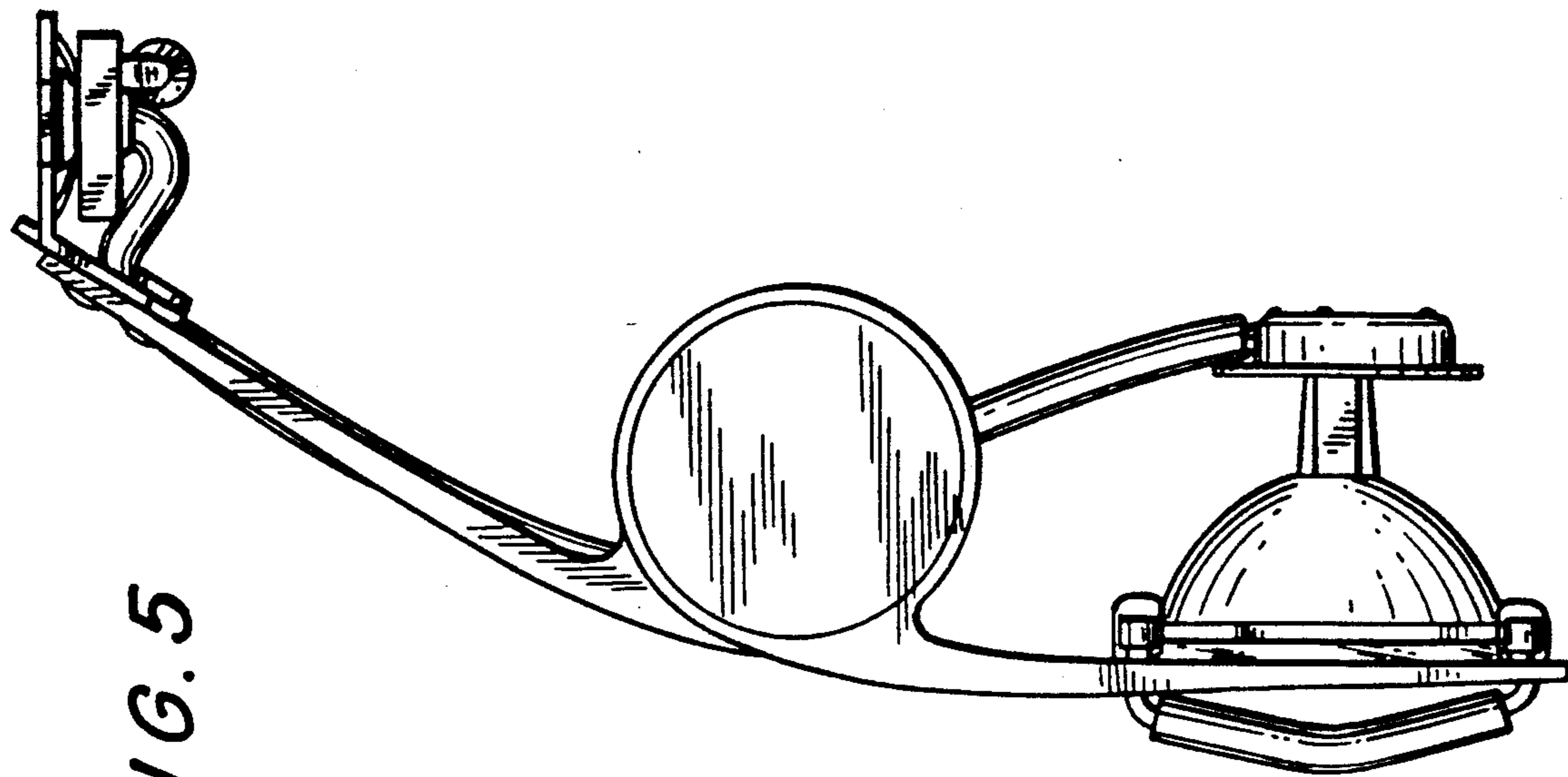


FIG. 5

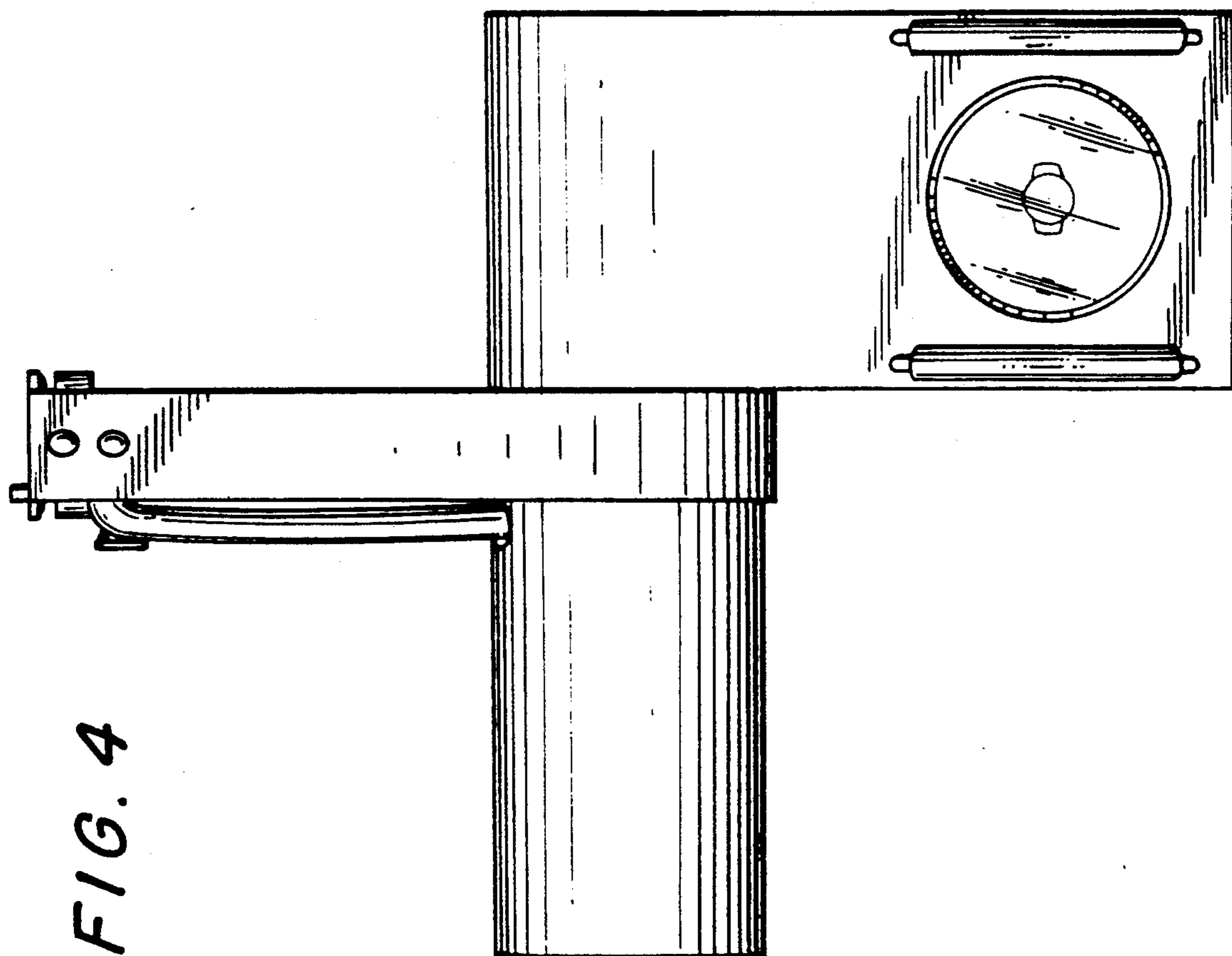


FIG. 4

FIG. 6

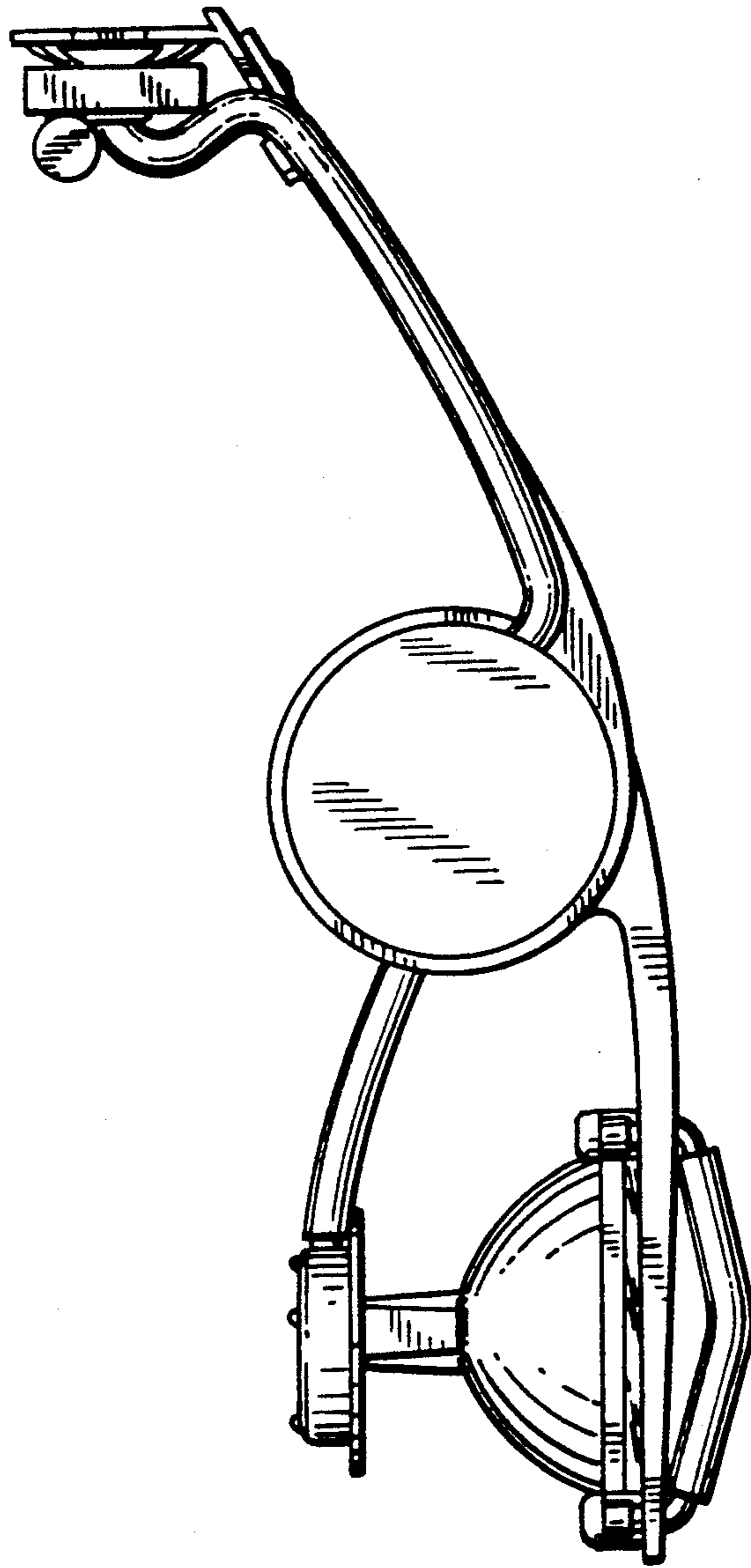


FIG. 7

