

United States Patent [19]

Dunning

[11] Patent Number: **Des. 319,699**

[45] Date of Patent: **** Sep. 3, 1991**

[54] **COMBINED DOUCHE CONTAINER AND NOZZLE**

[75] Inventor: **Walter B. Dunning, Pleasanton, Calif.**

[73] Assignee: **Tambrands, Inc., Palmer, Mass.**

[**] Term: **14 Years**

[21] Appl. No.: **254,291**

[22] Filed: **Oct. 5, 1988**

[52] U.S. Cl. **D24/115**

[58] Field of Search **D24/60, 59, 61; 604/212, 215, 275, 278; D9/337, 338, 384**

[56] **References Cited**

U.S. PATENT DOCUMENTS

D. 250,546 12/1978 Pick et al. D24/60

D. 285,970 9/1986 Pritchard D24/60
4,168,032 9/1979 Sneider D24/60
4,519,794 5/1985 Sneider D24/60 X

Primary Examiner—Stella Reid

Attorney, Agent, or Firm—A. Thomas S. Safford

[57] **CLAIM**

The ornamental design for a combined douche container and nozzle, as shown.

DESCRIPTION

FIG. 1 is a side elevational view of a combined douche container and nozzle showing my design;

FIG. 2 is a top plan view thereof;

FIG. 3 is a front elevational view thereof;

FIG. 4 is a rear elevational view thereof; and

FIG. 5 is a bottom plan view thereof.



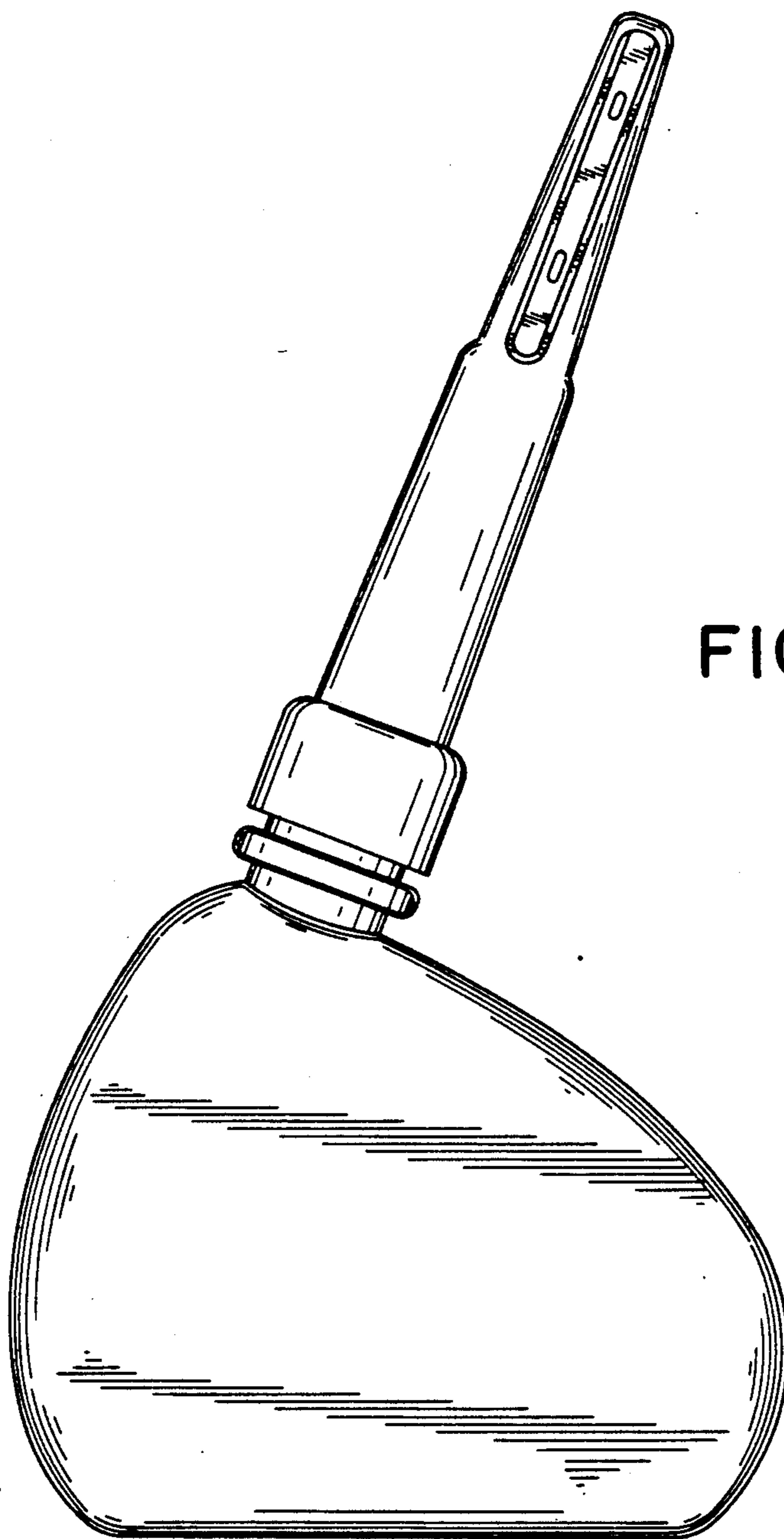


FIG. 1

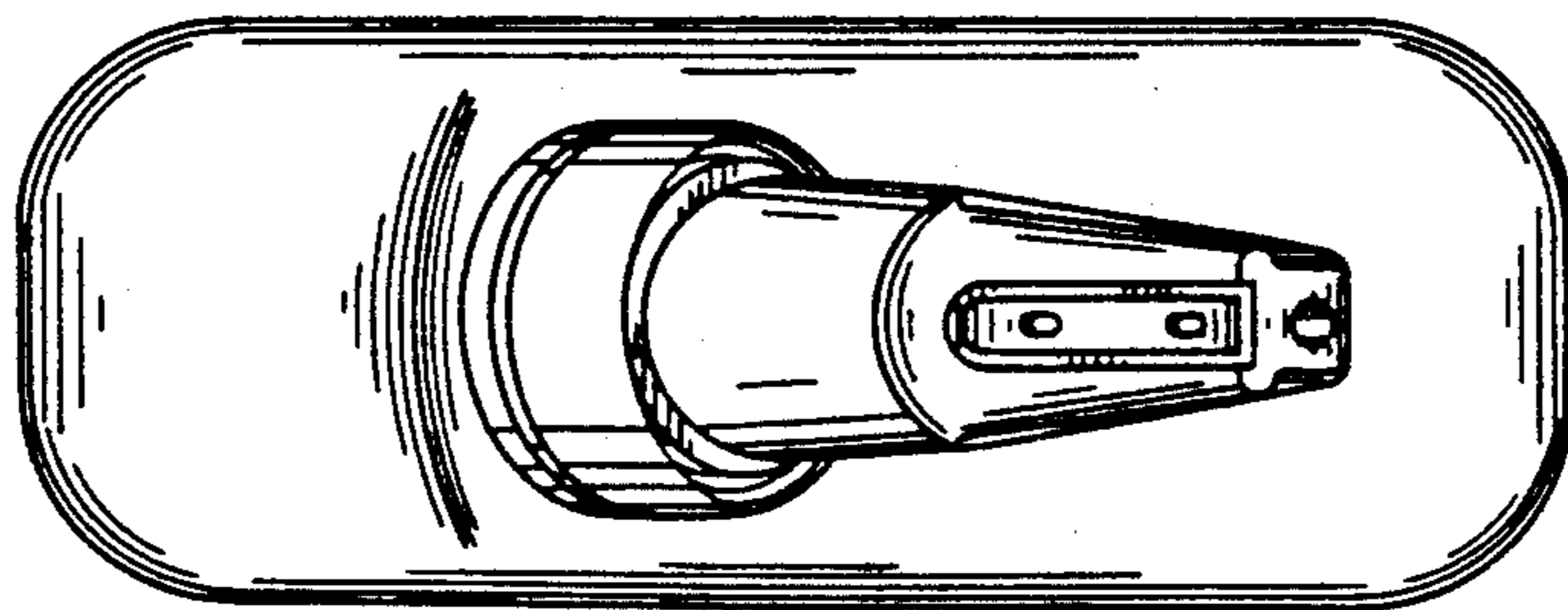


FIG. 2

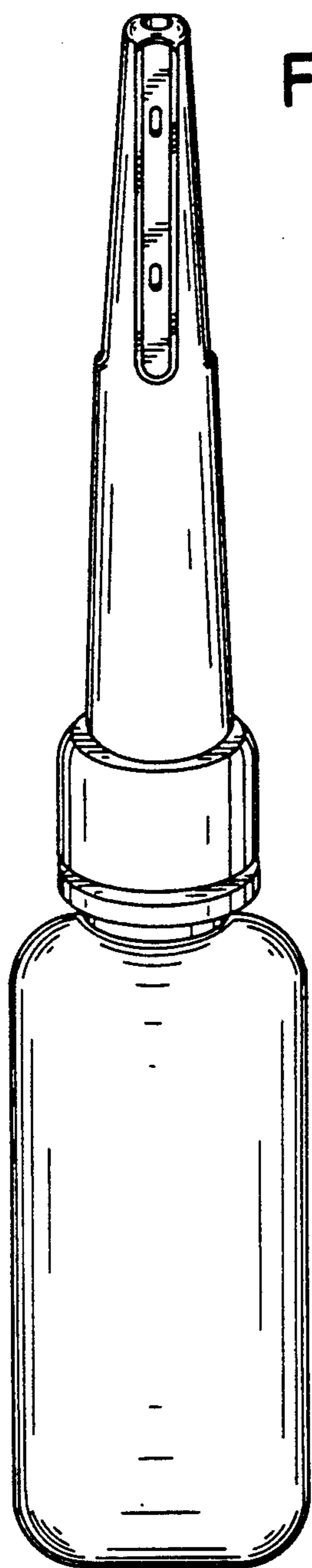


FIG. 3

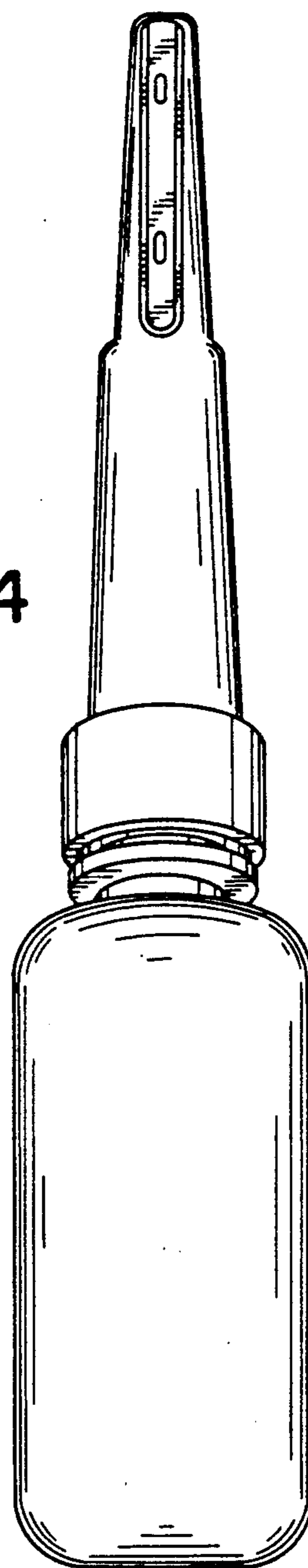


FIG. 4

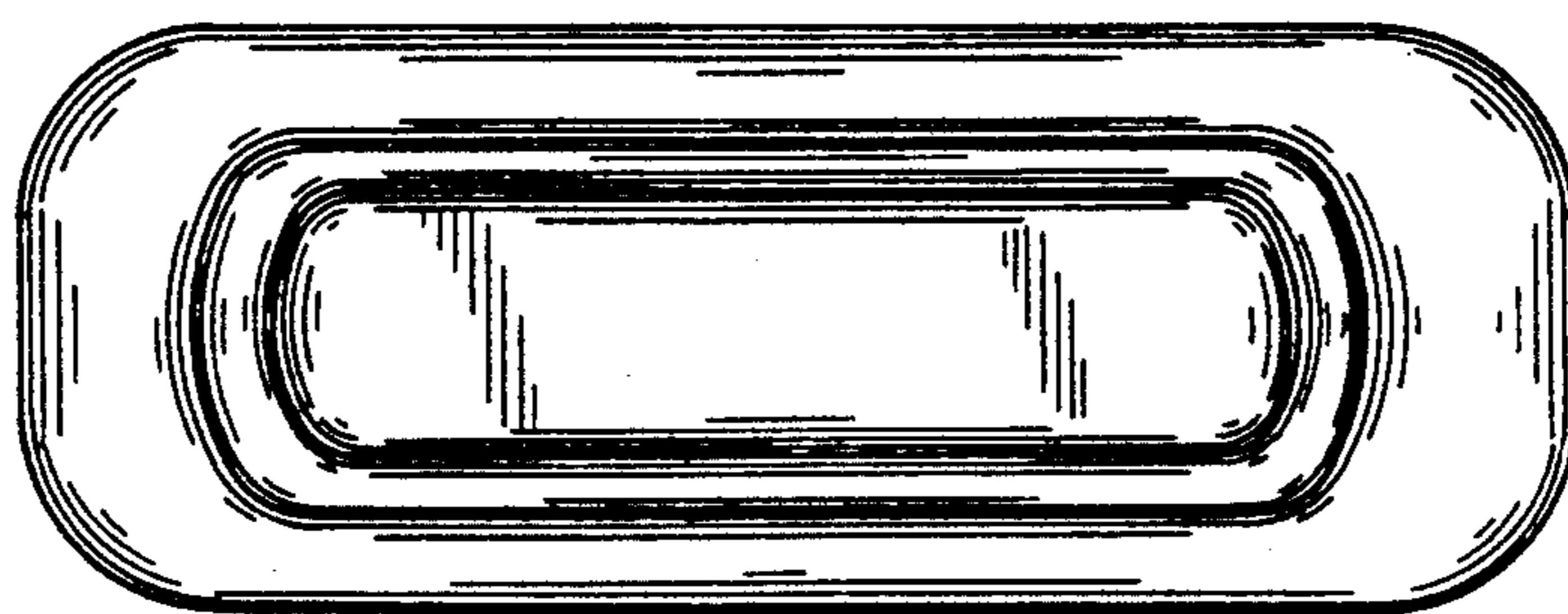


FIG. 5