

United States Patent [19]

Prindle et al.

[11] Patent Number: **Des. 319,697**

[45] Date of Patent: **** Sep. 3, 1991**

[54] **VETERINARY PELLET IMPLANTER**

[75] Inventors: **Gordon E. Prindle, Schaumburg;
Thomas J. Kelm, Forest Park, both of Ill.**

[73] Assignee: **Ideal Instruments, Inc., Chicago, Ill.**

[**] Term: **14 Years**

[21] Appl. No.: **160,090**

[22] Filed: **Feb. 25, 1988**

[52] U.S. Cl. **D24/113; D24/141**

[58] Field of Search **D24/24, 26-28;
604/61, 62, 63, 64; 606/139-142, 184-186, 188;
227/DIG. 1, 901; D8/49**

[56] **References Cited**

U.S. PATENT DOCUMENTS

D. 207,894 6/1967 Eisenhand D24/24
D. 208,610 9/1967 Parisi D24/24
3,774,607 11/1973 Schmitz 604/61

4,077,406 3/1978 Sandhage et al. 604/61
4,403,610 9/1983 Lodge et al. 604/61
4,447,223 5/1984 Kaye et al. 604/61
4,687,465 8/1987 Prindle et al. 604/61

Primary Examiner—Stella Reid

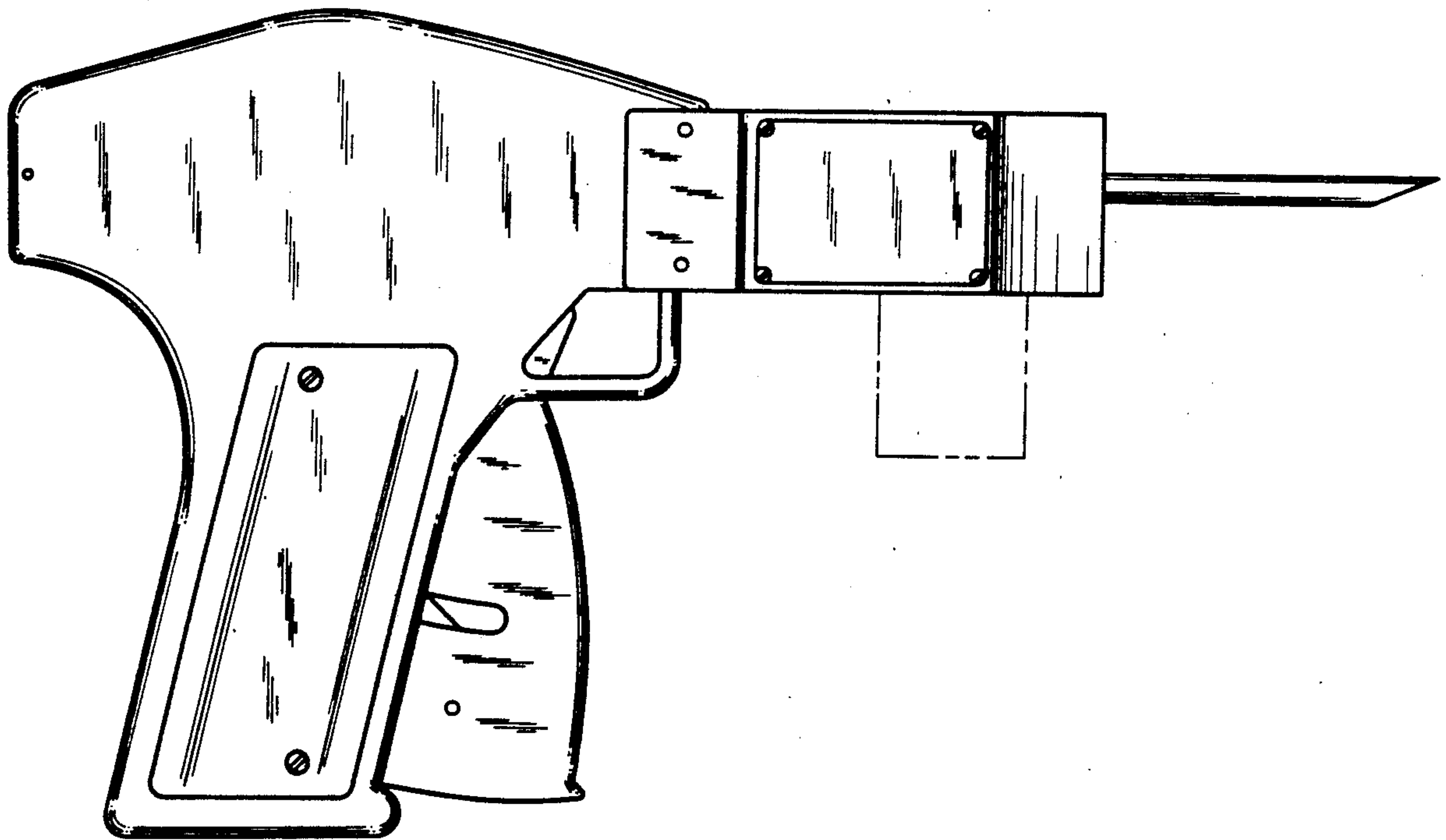
Attorney, Agent, or Firm—Ian C. McLeod

[57] **CLAIM**

The ornamental design for a veterinary pellet implanter, as shown and described.

DESCRIPTION

FIG. 1 is a right side elevational view of a veterinary pellet implanter, showing our new design; FIG. 2 is a top plan view thereof; FIG. 3 is a bottom plan view thereof; FIG. 4 is a rear elevational view thereof; FIG. 5 is a front elevational view thereof; and FIG. 6 is a left side elevational view thereof. The broken line showing in FIGS. 1, 2, 5 and 6 is for illustrative purposes only and forms no part of the claimed design.



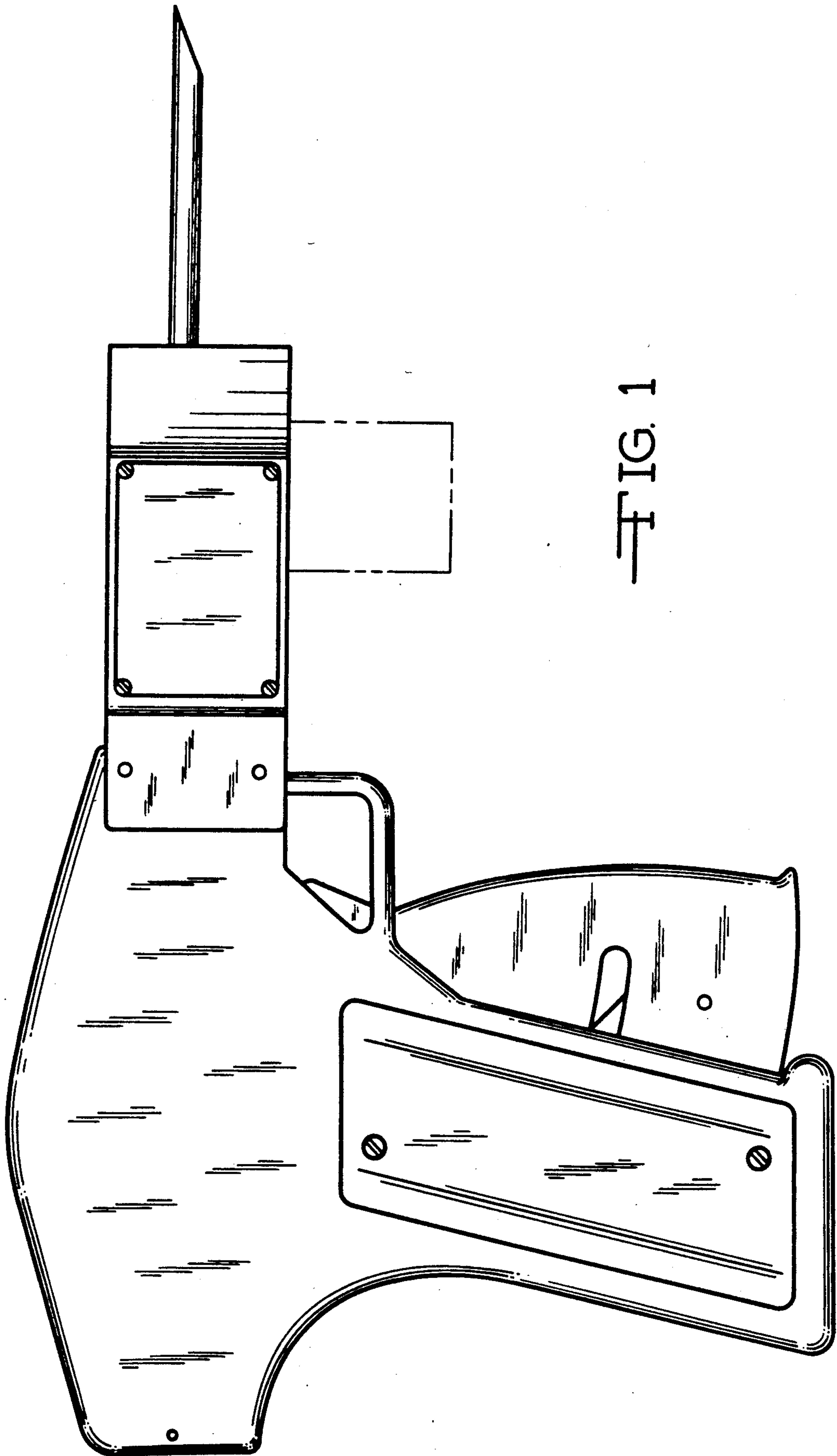
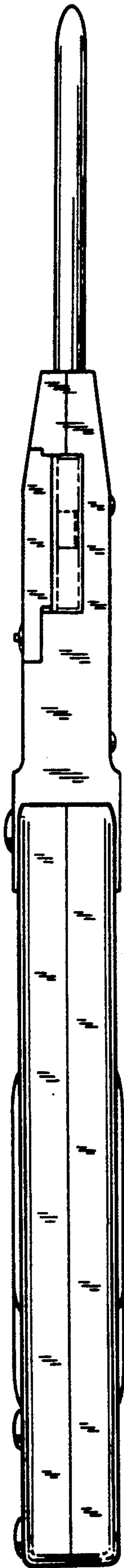
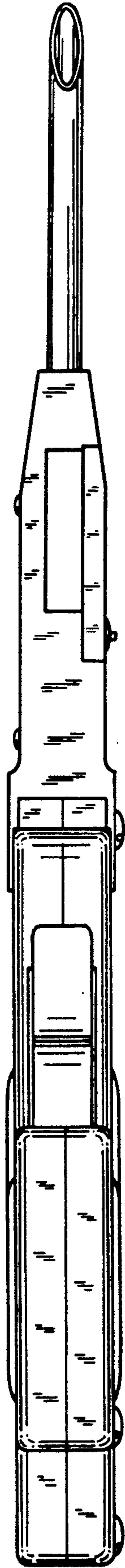


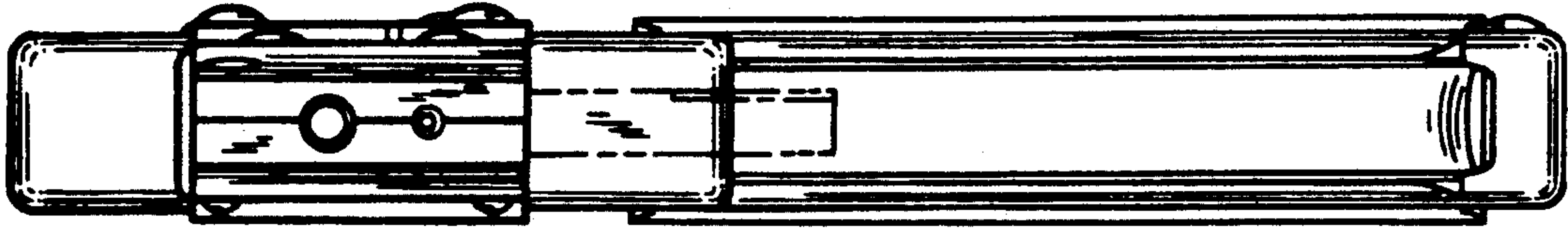
FIG. 1



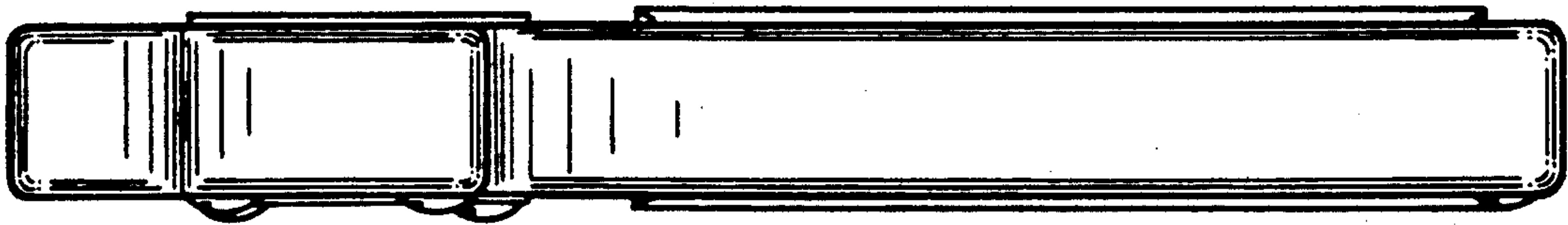
—FIG. 2



—FIG. 3



—FIG. 5



—FIG. 4

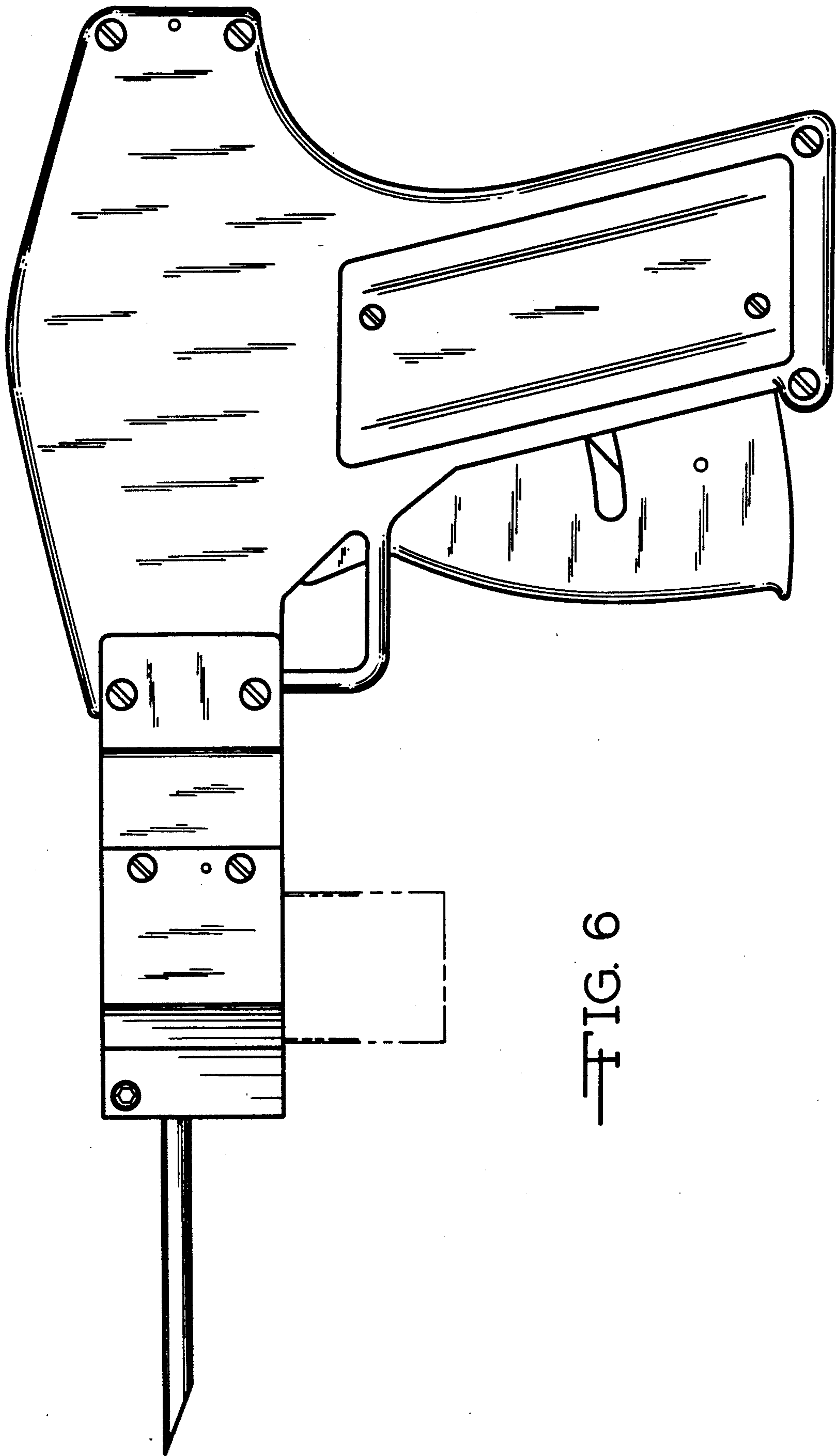


FIG. 6