

[54] FAN HEATER

2752187 6/1979 Fed. Rep. of Germany ..... 392/366  
935667 6/1948 France ..... 392/366

[75] Inventor: Brent J. Wortham, Pasadena, Calif.

[73] Assignee: Tatung Company of America, Inc.,  
Long Beach, Calif.

[\*\*] Term: 14 Years

[21] Appl. No.: 562,953

[22] Filed: Aug. 6, 1990

[52] U.S. Cl. .... D23/336

[58] Field of Search ..... D23/332, 336, 337, 335,  
D23/324, 314, 370, 381, 382, 383; 416/247 R,  
246; 415/121.2; 392/365-369, 379, 360

[56] References Cited

U.S. PATENT DOCUMENTS

D. 153,542	4/1949	Owens et al. ....	416/247
2,353,247	7/1944	Kuetiel .....	392/376
2,429,733	10/1947	Trent .....	392/366
2,801,044	7/1957	Bowie .....	415/121.2

FOREIGN PATENT DOCUMENTS

626694	9/1961	Canada .....	392/365
--------	--------	--------------	---------

OTHER PUBLICATIONS

Television Retailing, Jul. 1953, p. 20, Arvin Portable Room Heater.

Grainger's Spring '86 Cat., p. 1178, Fan Forced Portable Gas Heater No. 3E044, top right side of page.

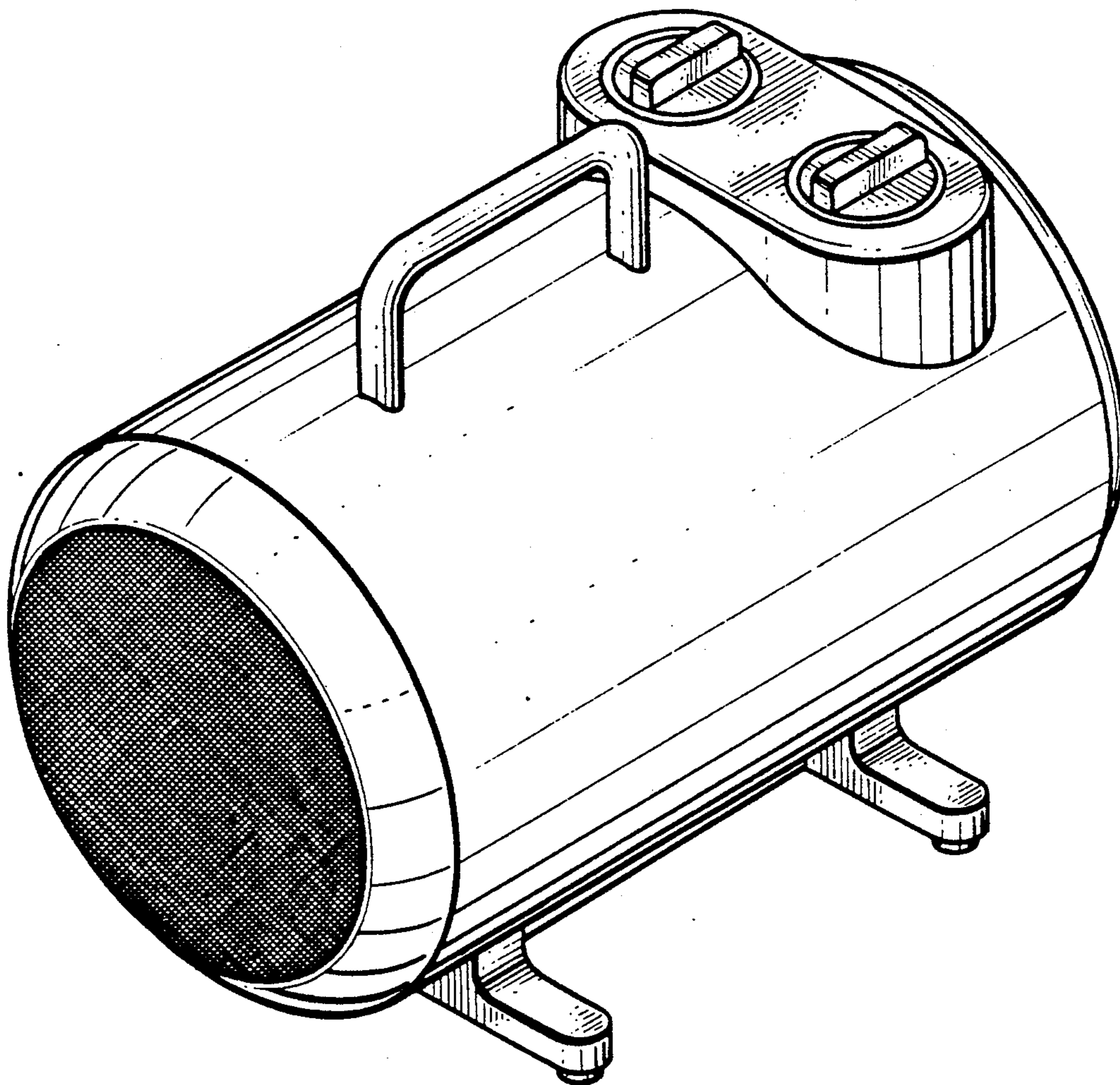
Primary Examiner—James M. Gandy  
Assistant Examiner—Lisa Lichtenstein  
Attorney, Agent, or Firm—Jack C. Munro

[57] CLAIM

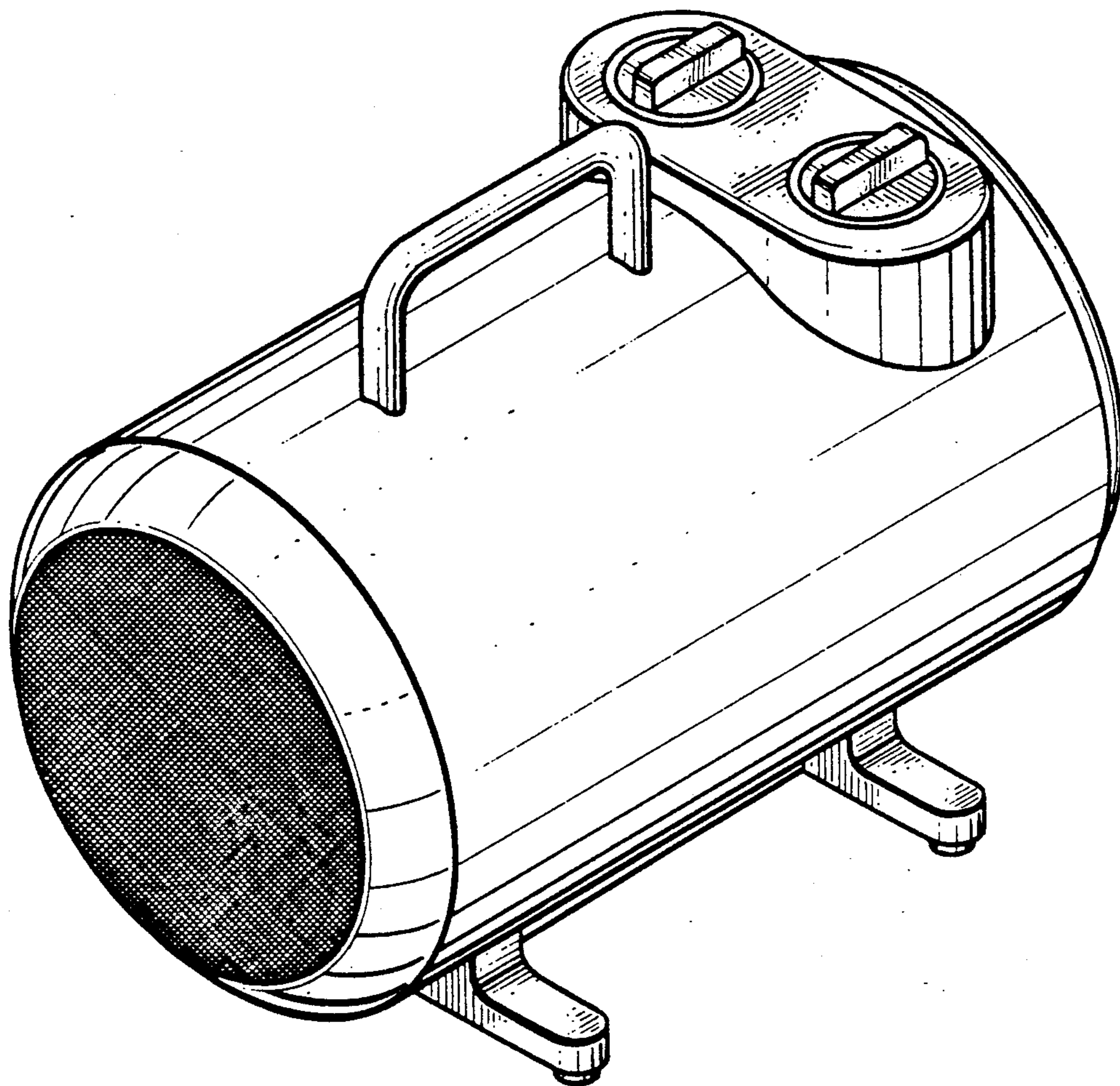
The ornamental design for a fan heater, as shown and described.

DESCRIPTION

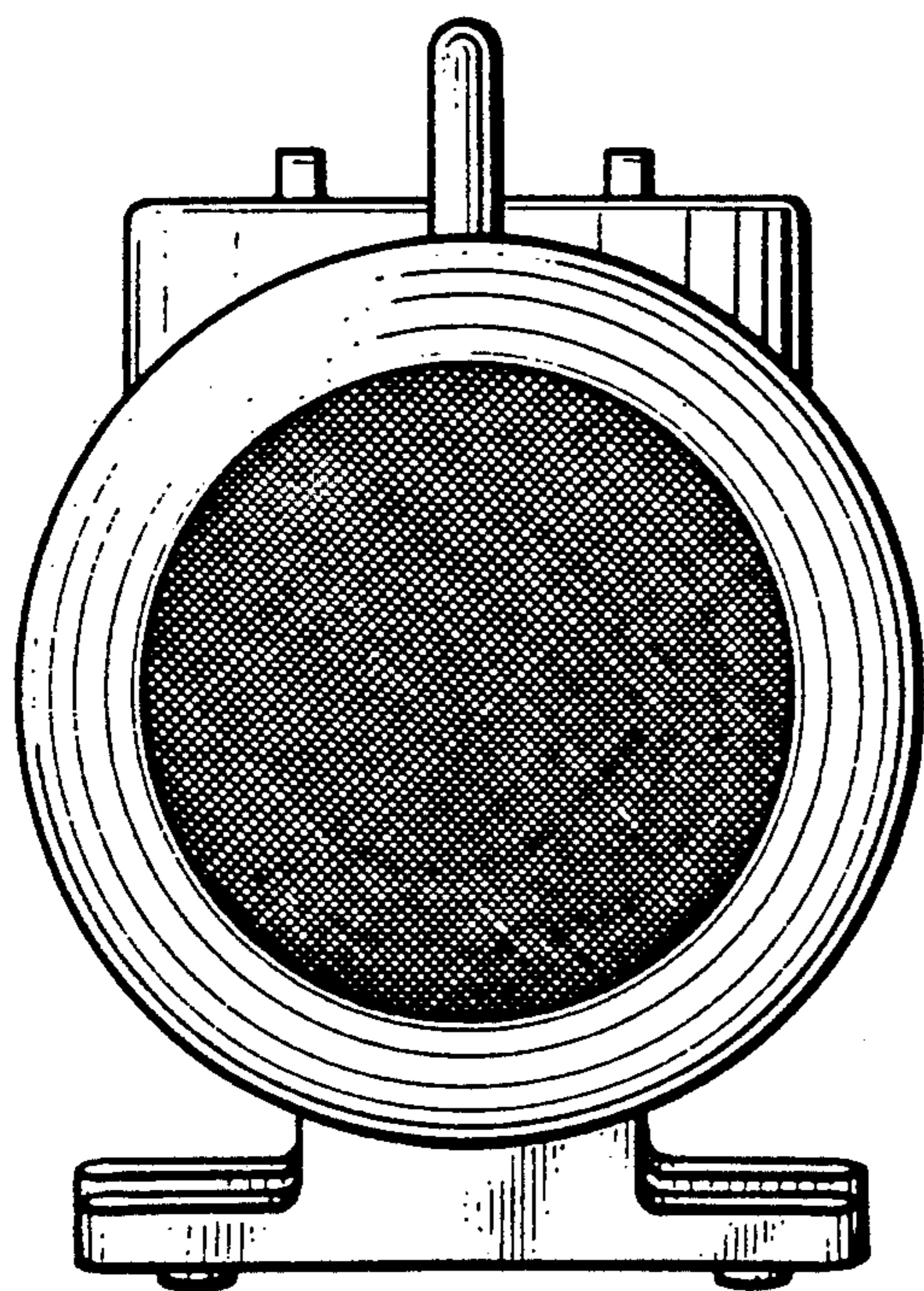
FIG. 1 is a top, front, and right side perspective view of a fan heater showing my new design;  
FIG. 2 is a front elevational view thereof;  
FIG. 3 is a rear elevational view thereof;  
FIG. 4 is a right side elevational view thereof, the left side being a mirror image of that shown;  
FIG. 5 is a top plan view thereof; and  
FIG. 6 is a bottom plan view thereof.



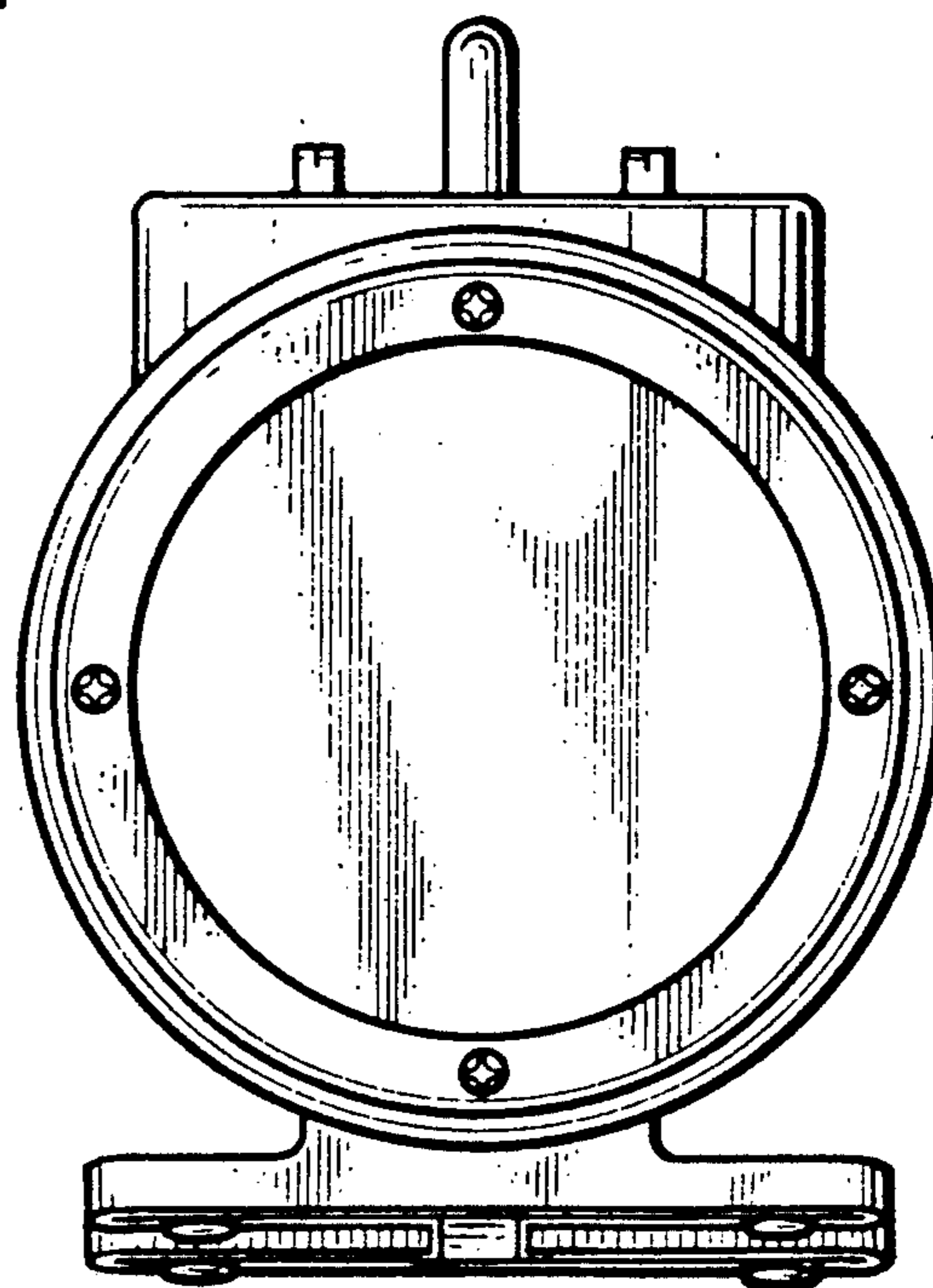




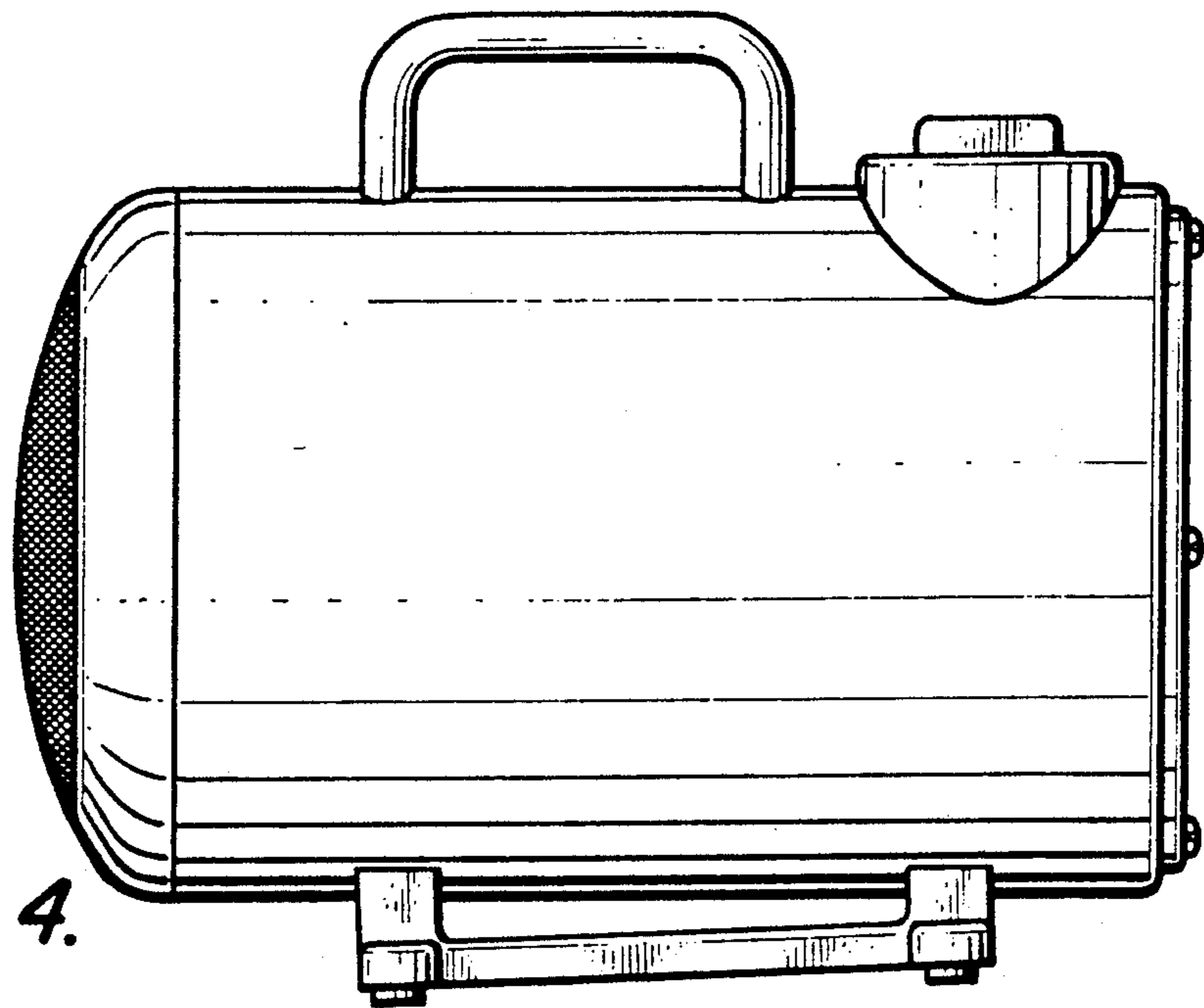
*Fig. 1.*



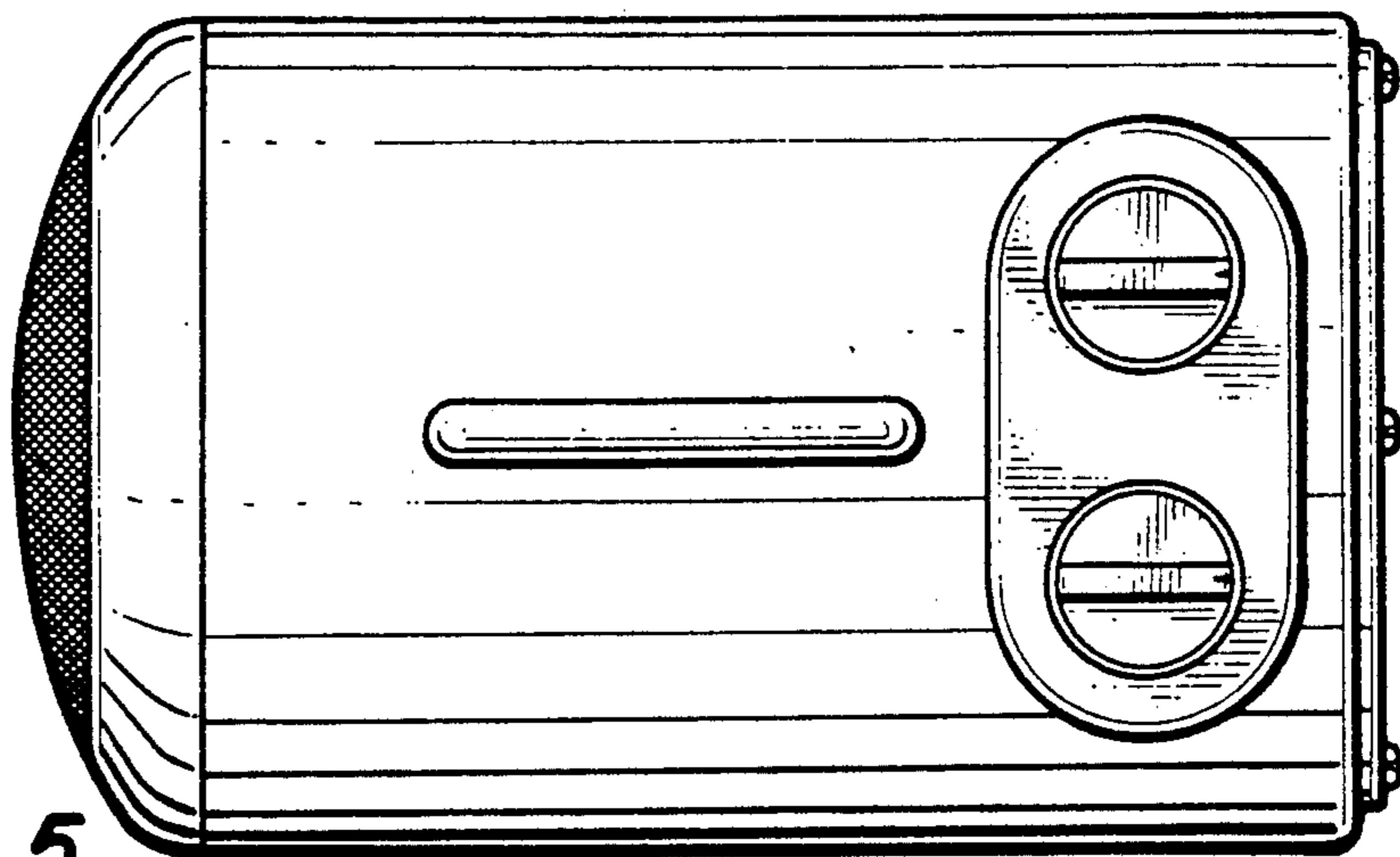
*Fig. 2.*



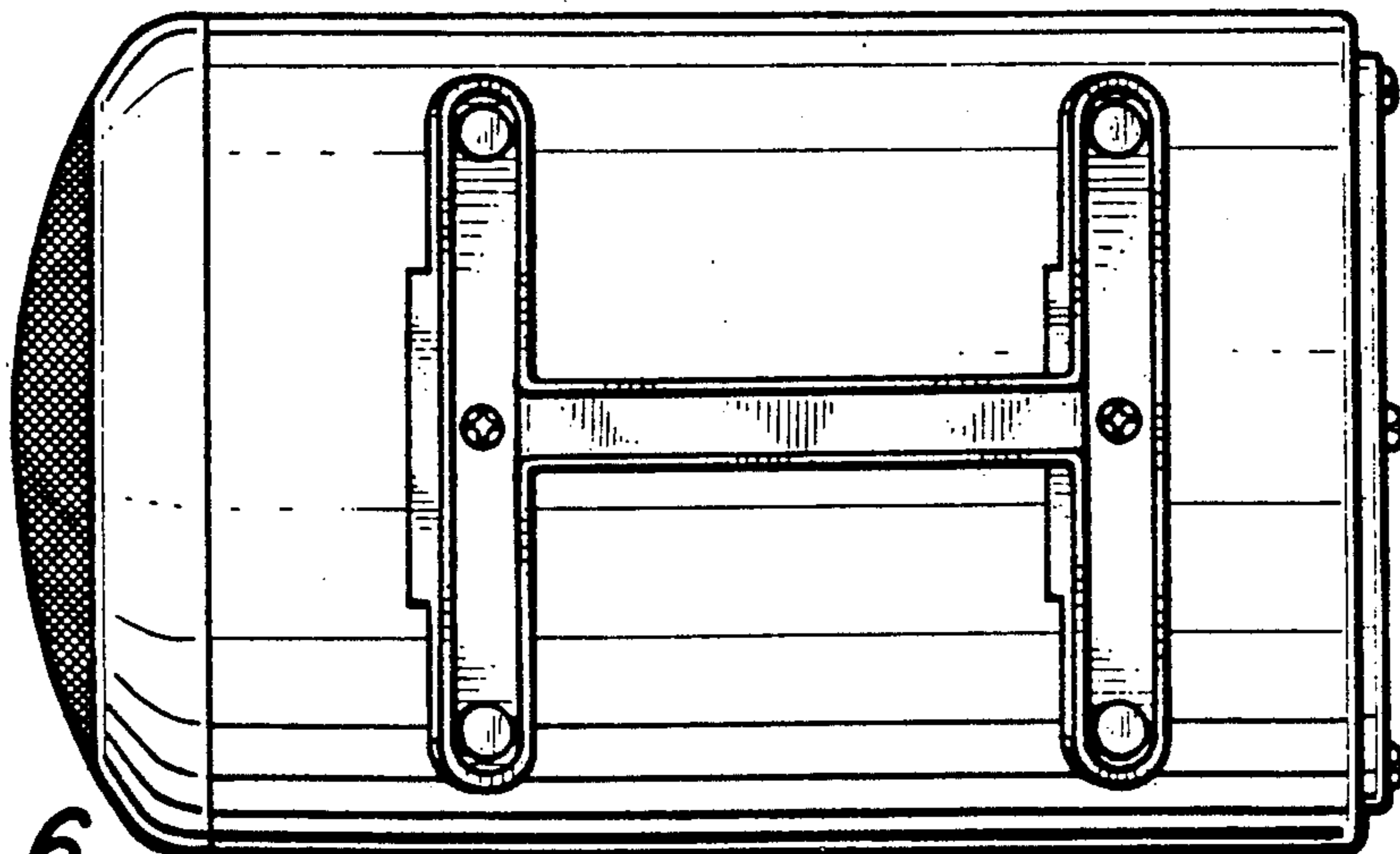
*Fig. 3.*



*Fig. 4.*



*Fig. 5.*



*Fig. 6.*