

[54] LAVATORY

[75] Inventor: Robin Levien, London, England

[73] Assignee: American Standard Inc., New York, N.Y.

[**] Term: 14 Years

[21] Appl. No.: 196,511

[22] Filed: May 20, 1988

[30] Foreign Application Priority Data

Nov. 20, 1987 [GB] United Kingdom 1046476

[52] U.S. Cl. D23/294

[58] Field of Search D23/270-274, D23/284-294, 308; 4/619, 625, 635-650

[56] References Cited

U.S. PATENT DOCUMENTS

D. 148,632	5/1948	Green	D23/294
D. 187,635	4/1960	Dreyfuss	D23/294
D. 211,524	6/1968	Plantholt	D23/294
D. 217,968	7/1970	Armstrong	D23/293
D. 231,675	5/1974	Fee	D23/294

OTHER PUBLICATIONS

Borg-Warner, Ingersoll-Humphryes Division brochure p. 2, "Bennington Strayer & Stout" Items. American Standard, Form 706-3, dated 1/70, "Aqualyn Lavatory" Item.

Eljer Fine Plumbing Fixtures Form 204, p. 6, "Brenda" of Burks Item.

Primary Examiner—James R. Largen

Attorney, Agent, or Firm—John P. Sinnott

[57] CLAIM

The ornamental design for lavatory, as shown and described.

DESCRIPTION

FIG. 1 is a top plan view of a lavatory embodying my new design;

FIG. 2 is a left side elevational view thereof, the right side being a mirror image of the left side shown;

FIG. 3 is a front elevational view thereof;

FIG. 4 is a rear elevational view thereof; and

FIG. 5 is a bottom plan view thereof.

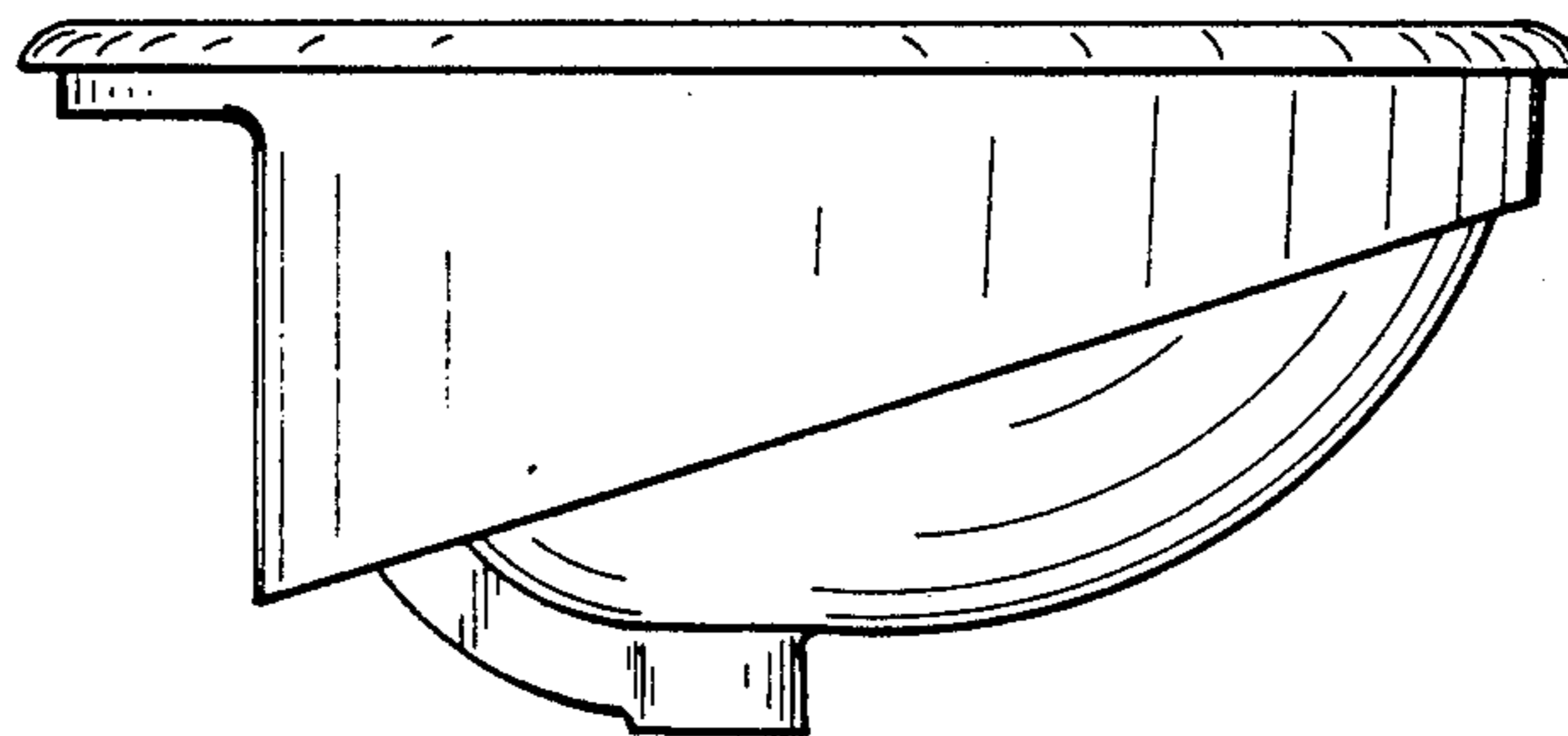
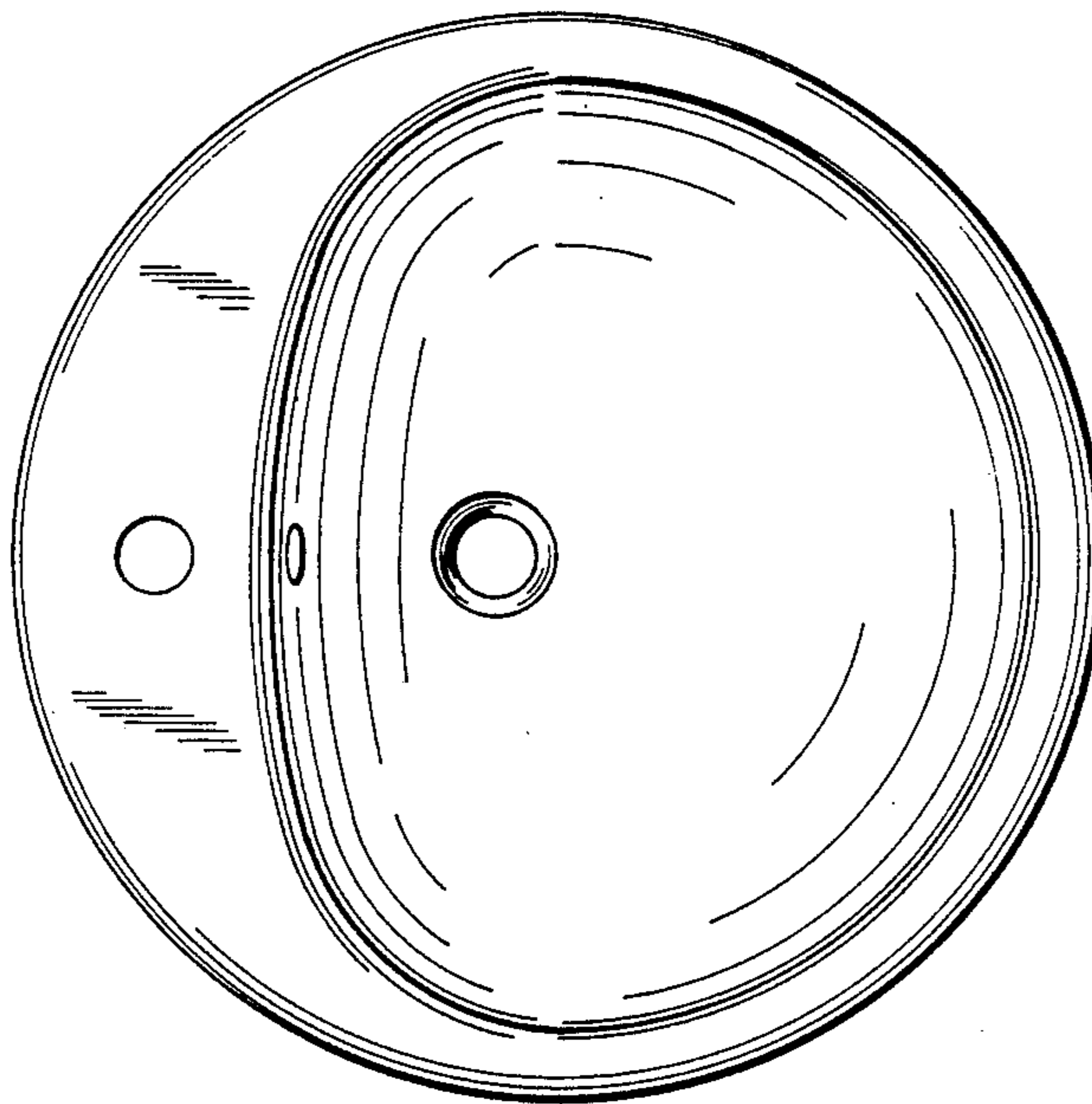


FIG. 1

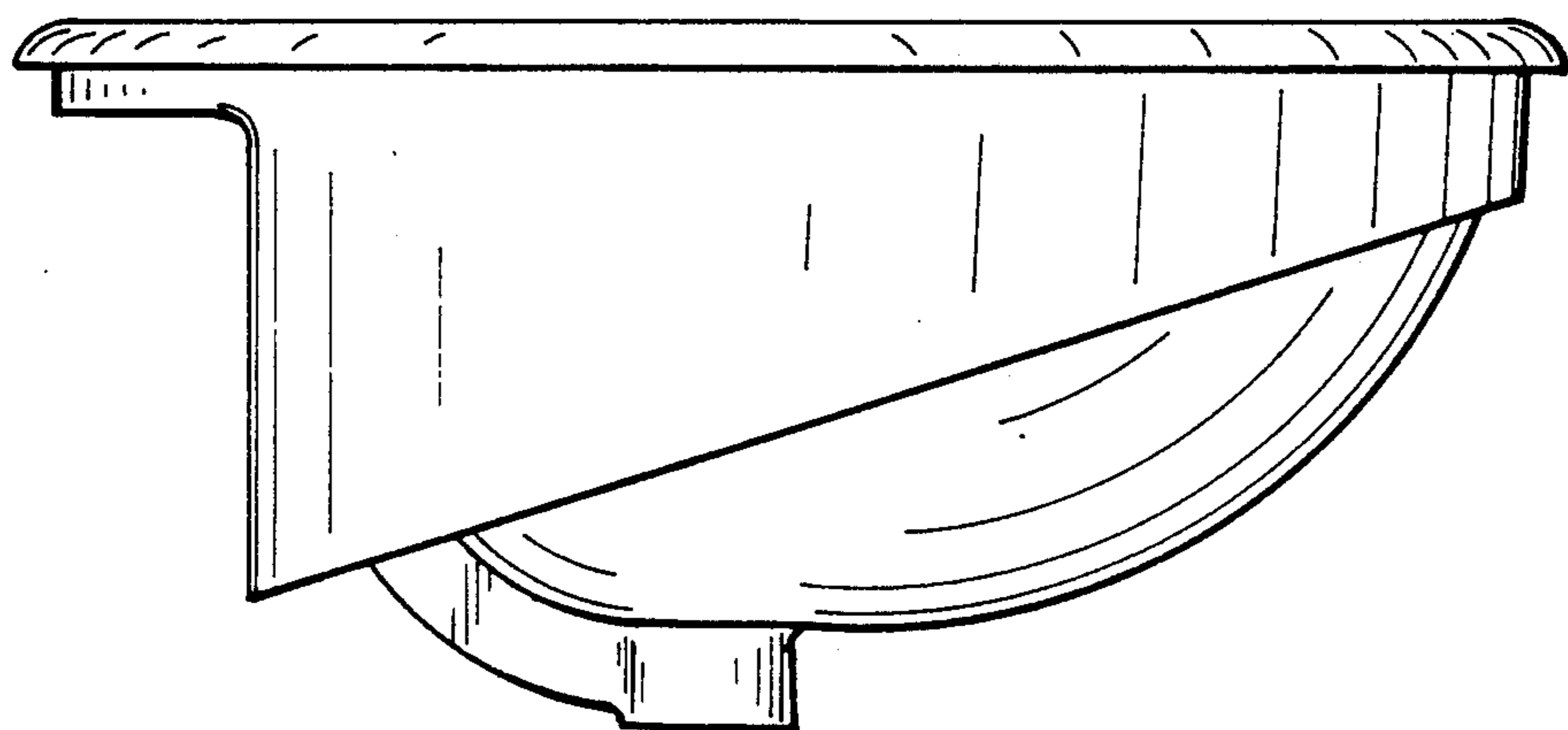
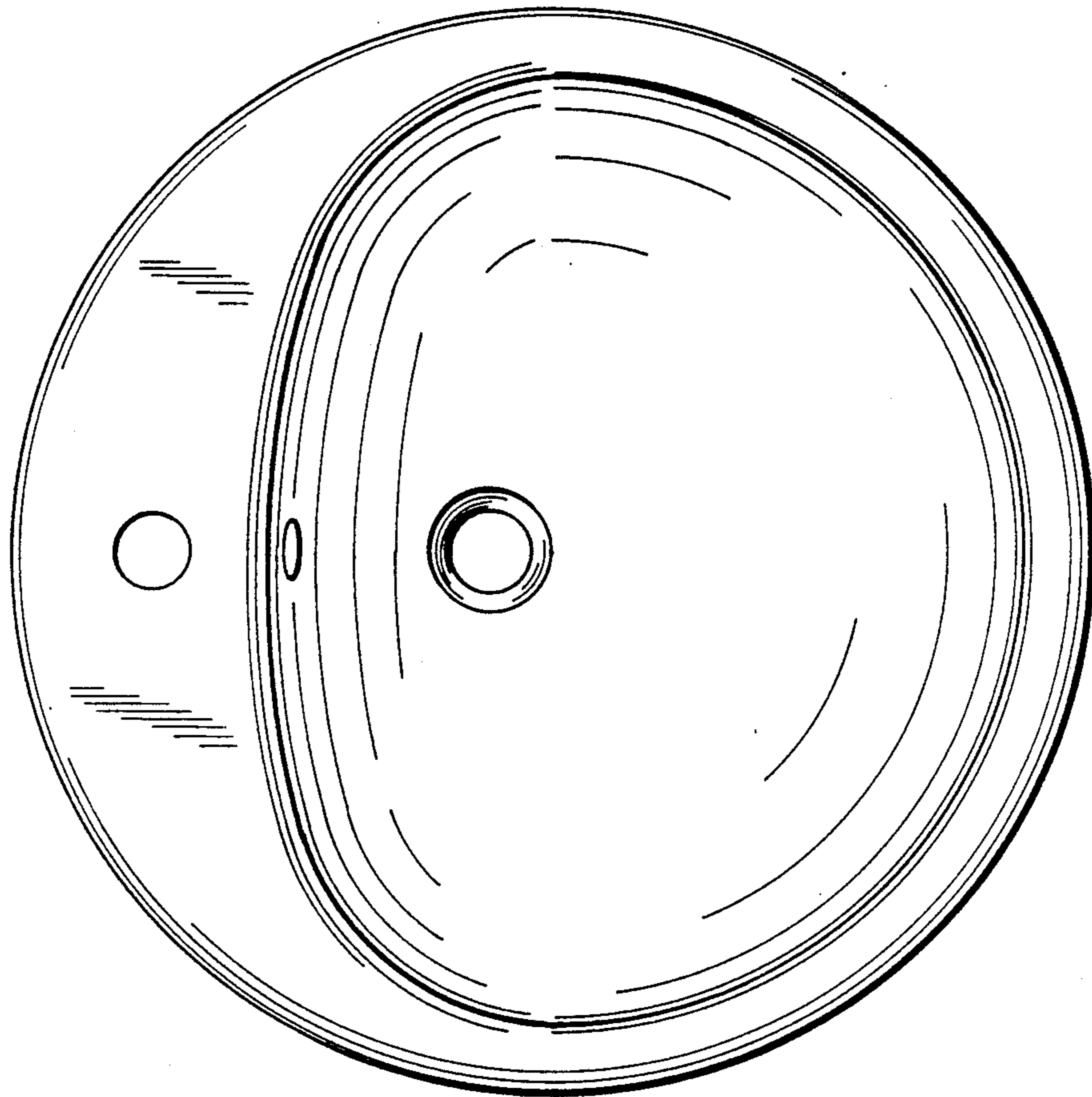


FIG. 2

FIG. 3

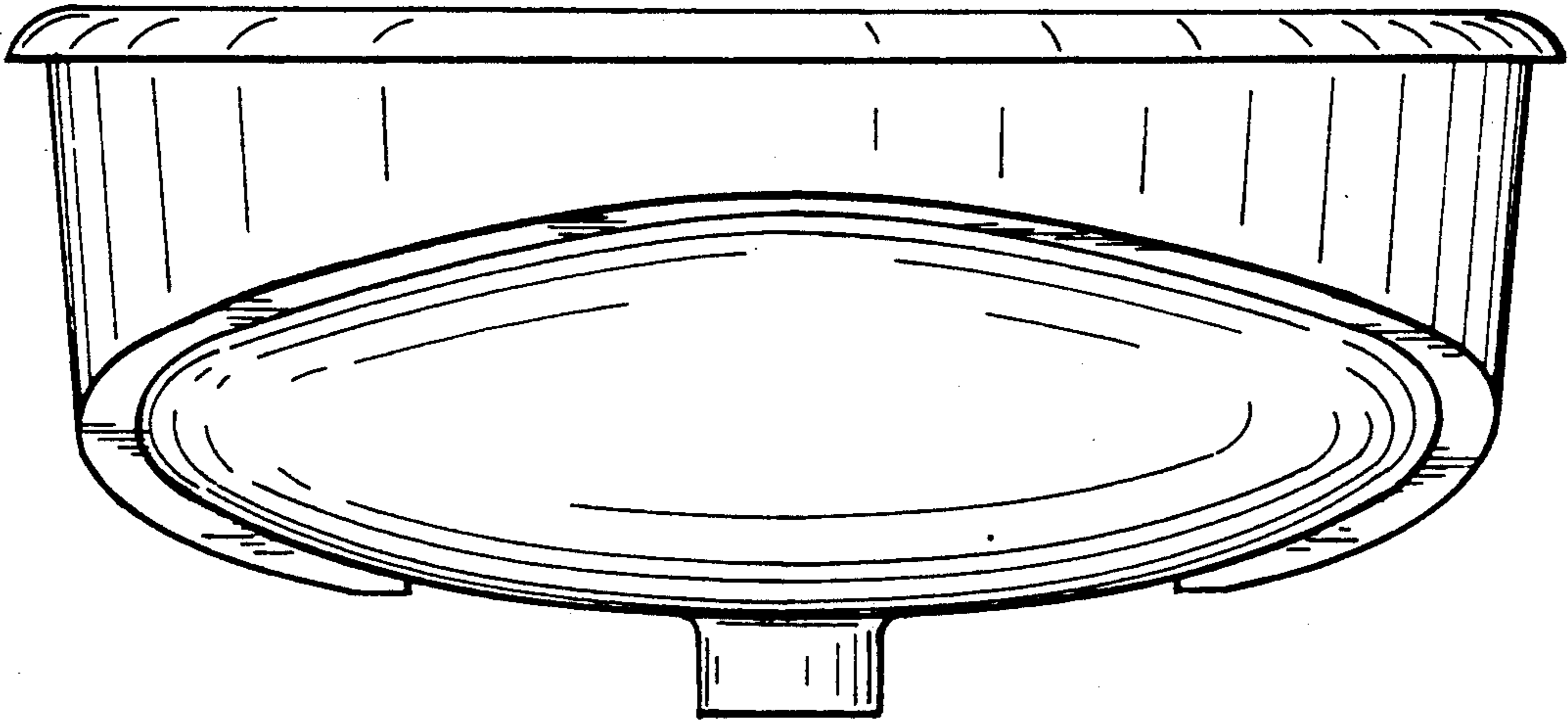


FIG. 4

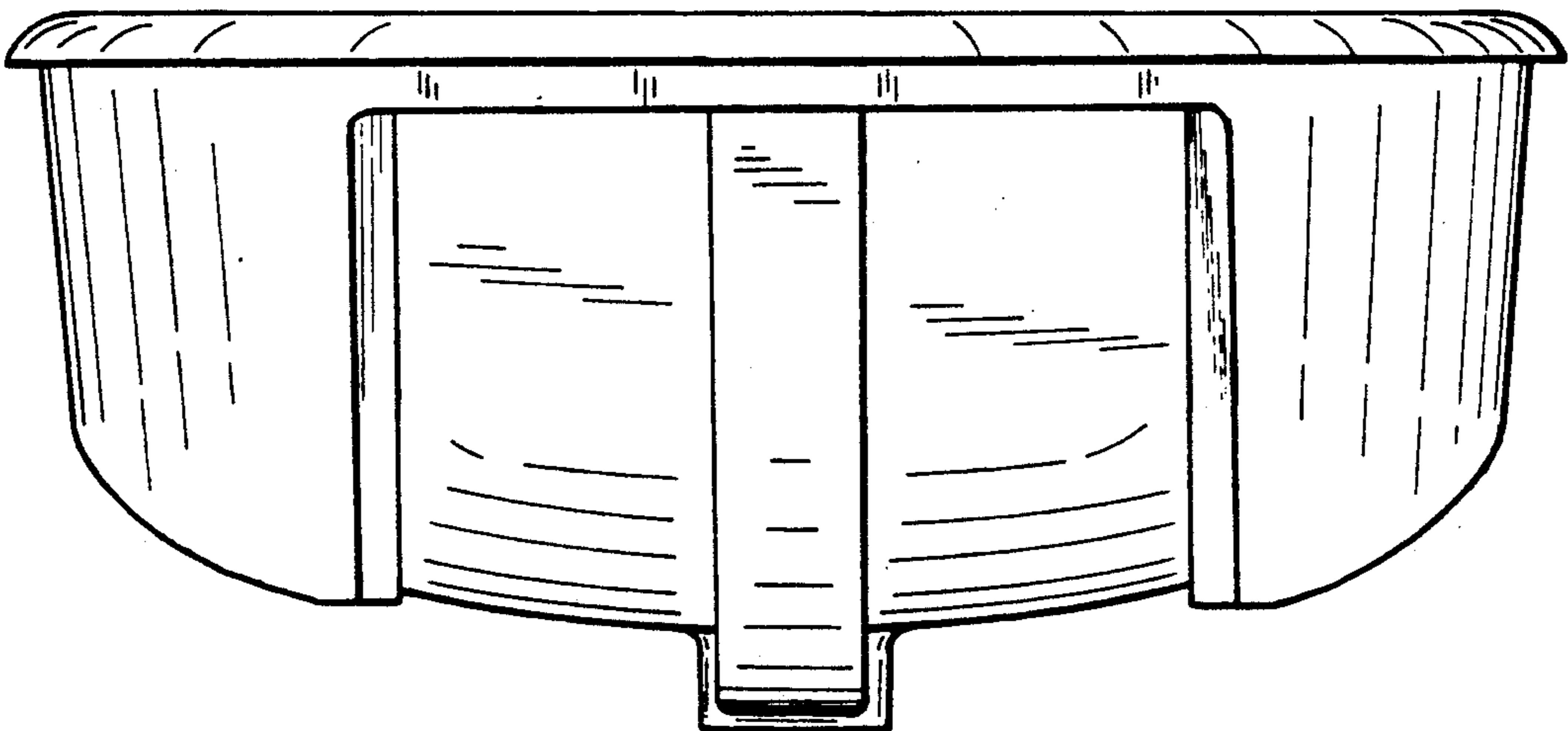


FIG. 5

