

[54] SINK

[75] Inventors: **Karl-Heinz Jung**,  
Münsingen-Dottingen; **Manfred**  
**Mück**, Kürnbach, both of Fed. Rep.  
of Germany

[73] Assignee: **Blanco GmbH & Co. KG**,  
Oberderdingen, Fed. Rep. of  
Germany

D. 224,533	8/1972	Hauser .....	D23/290
D. 259,439	6/1981	Doman .....	D23/287
D. 293,814	1/1988	Muck .....	D23/287
D. 296,003	5/1988	Garza .....	D23/290
D. 297,162	8/1988	Mück et al. ....	D23/290
D. 297,163	8/1988	Blanc et al. ....	D23/290
D. 298,163	10/1988	Downs .....	D23/290
D. 298,164	10/1988	Downs .....	D23/290
2,524,204	10/1950	O'Brien .....	4/629
3,046,569	7/1962	Holberson .....	4/633
4,847,927	7/1989	Blanc .....	4/629

[\*\*] Term: 14 Years

[21] Appl. No.: 169,350

[22] Filed: Mar. 17, 1988

[30] Foreign Application Priority Data

Sep. 23, 1987 [DE] Fed. Rep. of Germany ..... 10 AR  
158/87

[52] U.S. Cl. .... D23/287; D23/290

[58] Field of Search ..... D23/284-294,  
D23/308; 4/191, 286, 627-656, 619; 134/115;  
312/228

[56] References Cited

U.S. PATENT DOCUMENTS

D. 93,329 9/1934 Crane ..... D23/294

OTHER PUBLICATIONS

Domestic Engineering, May 1981, p. 47.

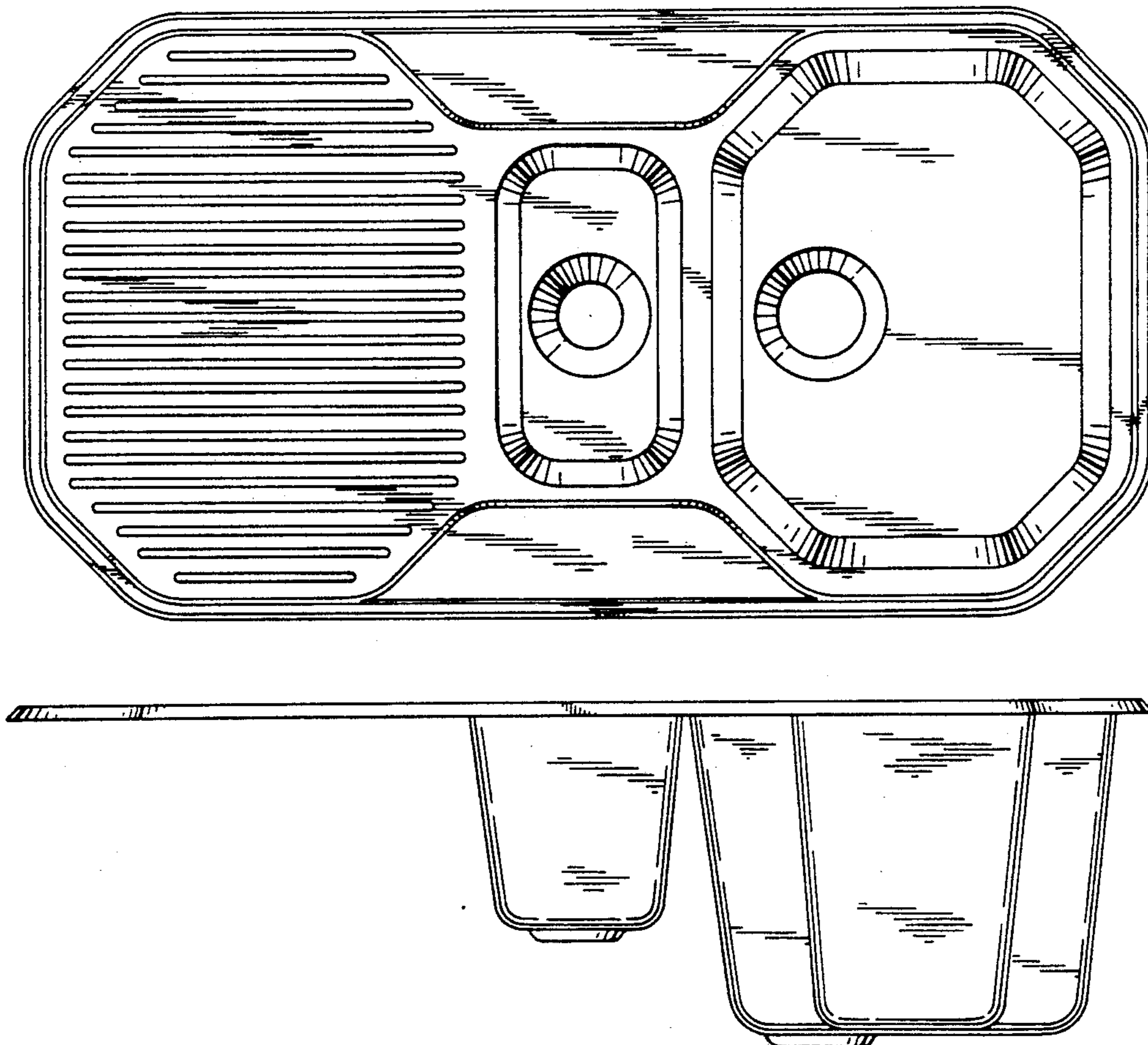
Primary Examiner—James R. Largen  
Attorney, Agent, or Firm—Spencer & Frank

[57] CLAIM

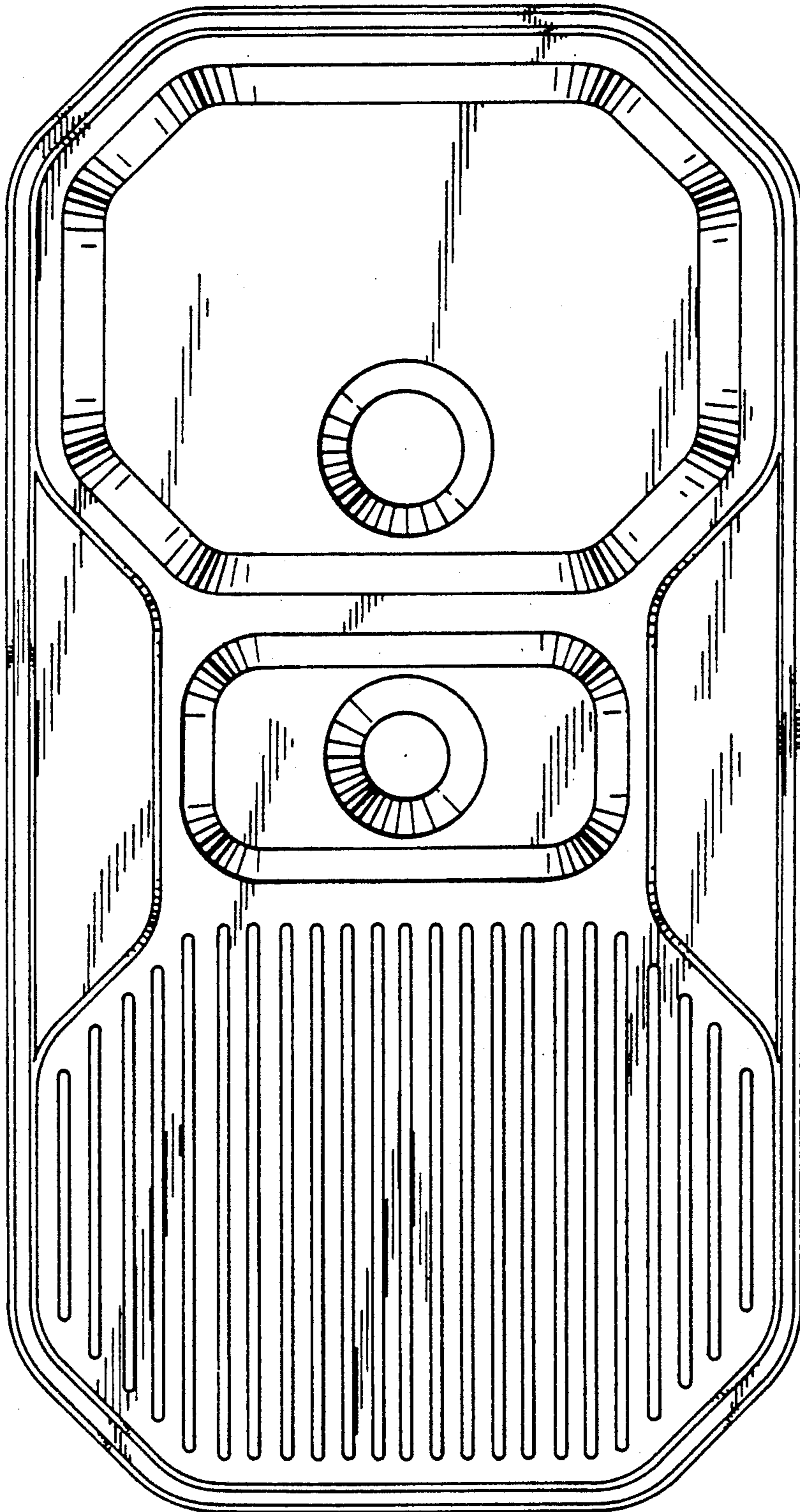
The ornamental design for a sink, as shown and de-  
scribed.

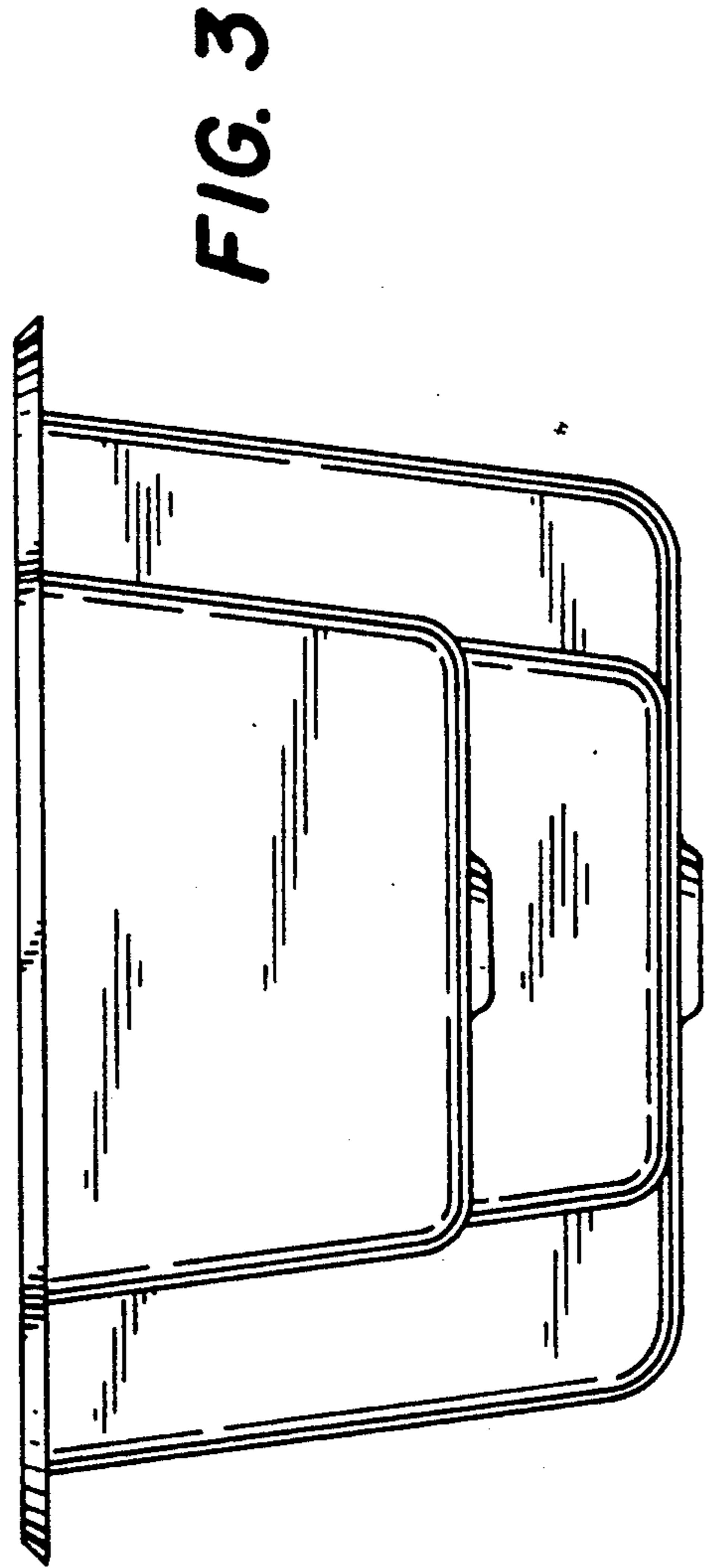
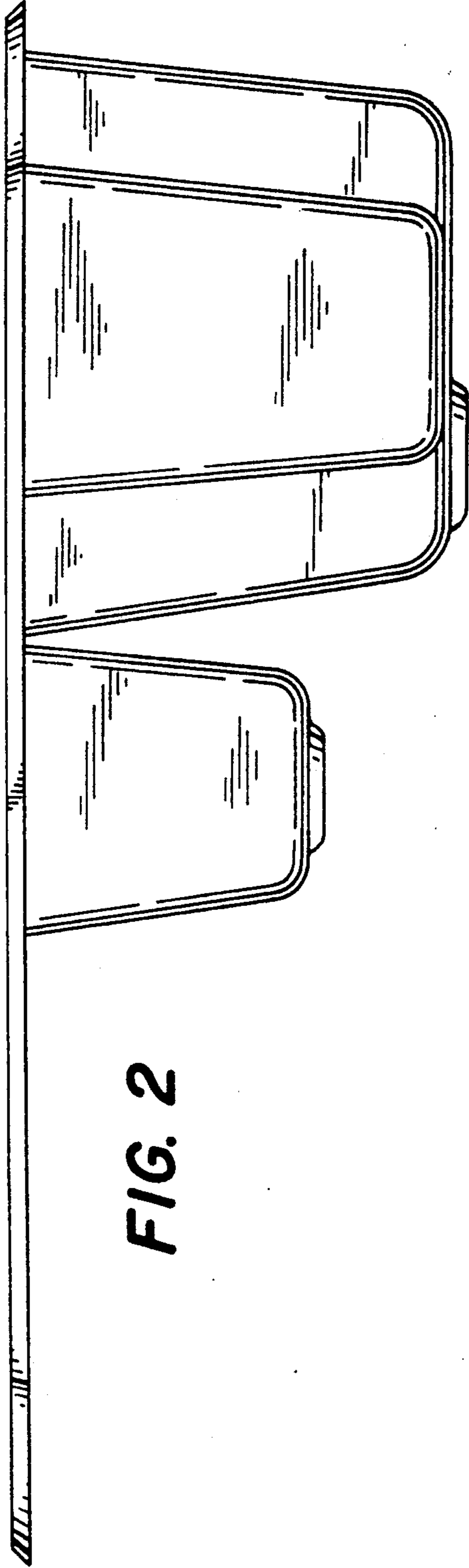
DESCRIPTION

FIG. 1 is a top plan view of a sink showing our new  
design;  
FIG. 2 is a front elevational view thereof, the rear being  
a mirror image of the front shown;  
FIG. 3 is a left side elevational view thereof; and  
FIG. 4 is a bottom plan view thereof.



**FIG. 1**







**FIG. 4**

