

[54] SPOUT

[75] Inventors: Herbert V. Kohler, Jr., Kohler; Alan D. Bengtson, Sheboygan; Thomas E. Gaffney, Sheboygan; Mary J. Reid, Sheboygan, all of Wis.

[73] Assignee: Kohler Co., Kohler, Wis.

[\*\*] Term: 14 Years

[21] Appl. No.: 288,043

[22] Filed: Dec. 20, 1988

Related U.S. Application Data

[63] Continuation-in-part of Ser. No. 130,842, Dec. 9, 1987, Pat. No. Des. 312,681.

[52] U.S. Cl. .... D23/255

[58] Field of Search ..... D23/238-243, D23/255-257; 137/801; 4/191, 192

References Cited

U.S. PATENT DOCUMENTS

1,417,583 5/1922 Stratton .

OTHER PUBLICATIONS

Harden catalog page showing the 64 and 69 series spouts, undated, admitted prior art.

Sovereign series brochure dated 1987, Kallista, Inc., admitted prior art.

Emperor series brochure dated 1987, Kallista, Inc., admitted prior art.

Sherle Wagner catalog pp. 95 and 97, dated 1984.

Primary Examiner—James R. Largen  
Attorney, Agent, or Firm—Quarles & Brady

CLAIM

[57] The ornamental design for a spout, as shown and described.

DESCRIPTION

FIG. 1 is a front, top and right side perspective view of a spout showing our new design;  
FIG. 2 is a top plan view thereof;  
FIG. 3 is a bottom plan view thereof;  
FIG. 4 is a front elevational view thereof;  
FIG. 5 is a rear elevational view thereof;  
FIG. 6 is a left side elevational view thereof, the right side being a mirror image of the left side;  
The broken line representation of a fitting hole in FIG. 5 is for purposes of illustration only and forms no part of the claimed design.

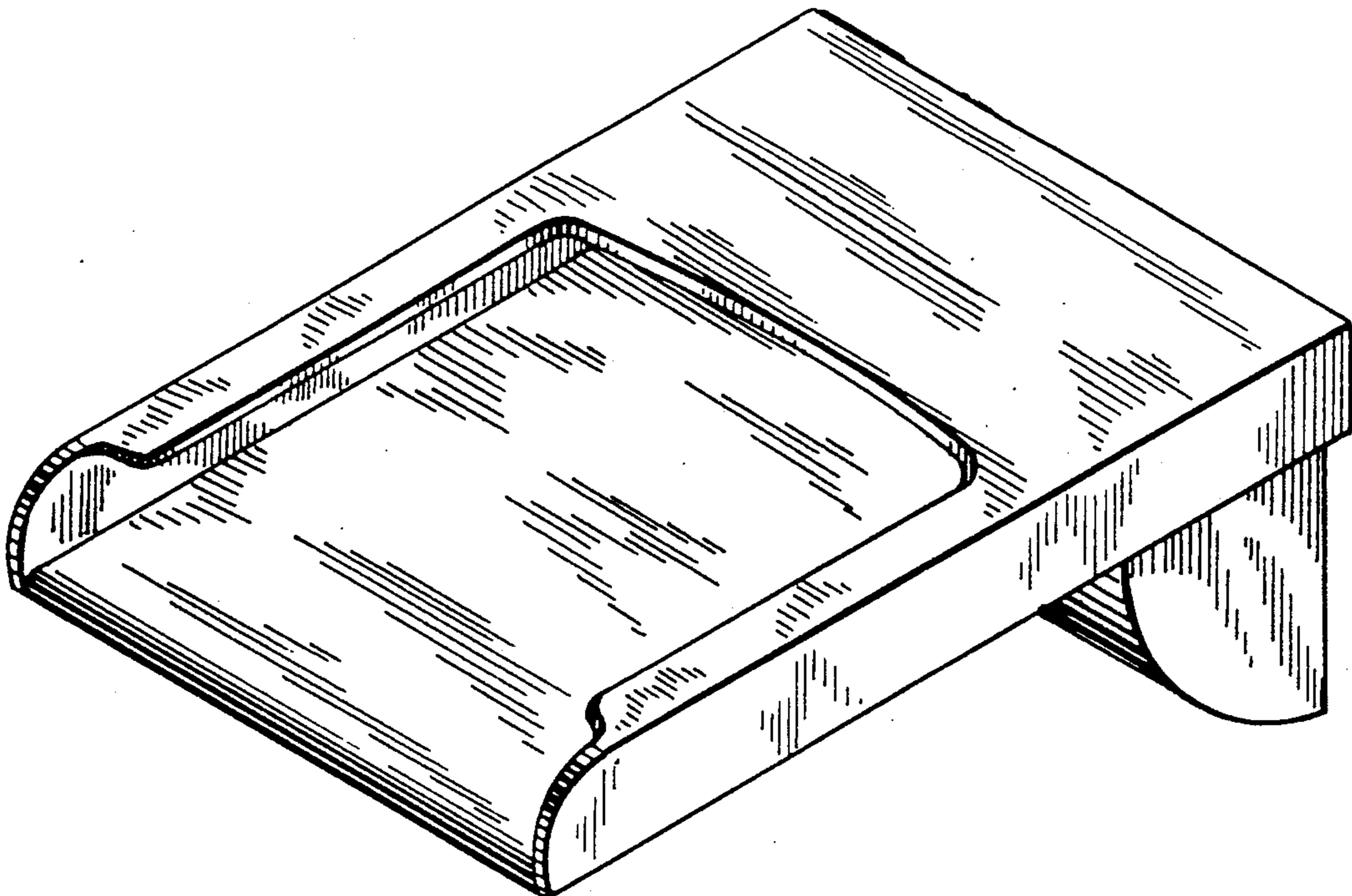


FIG. 1

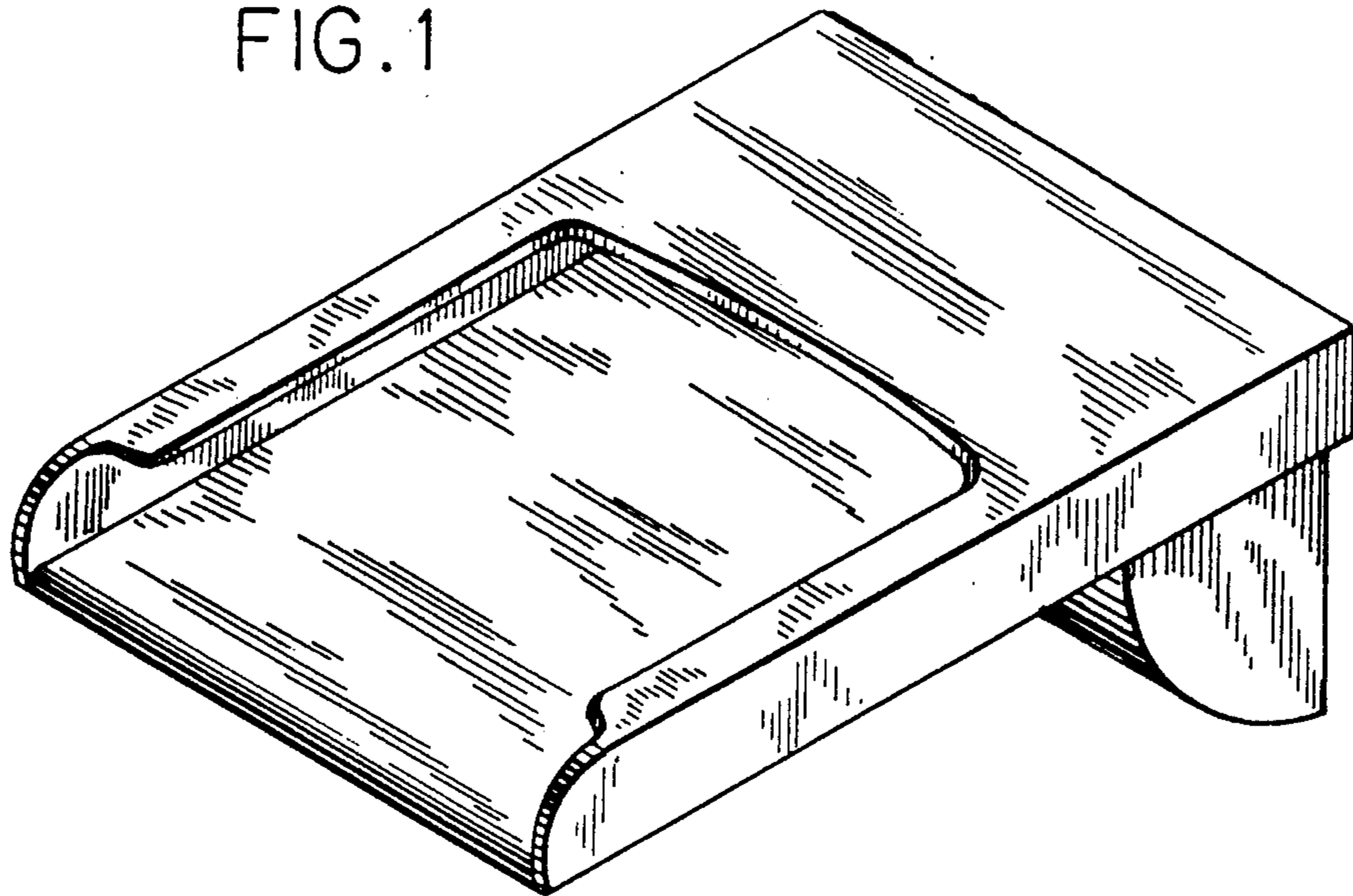


FIG. 2

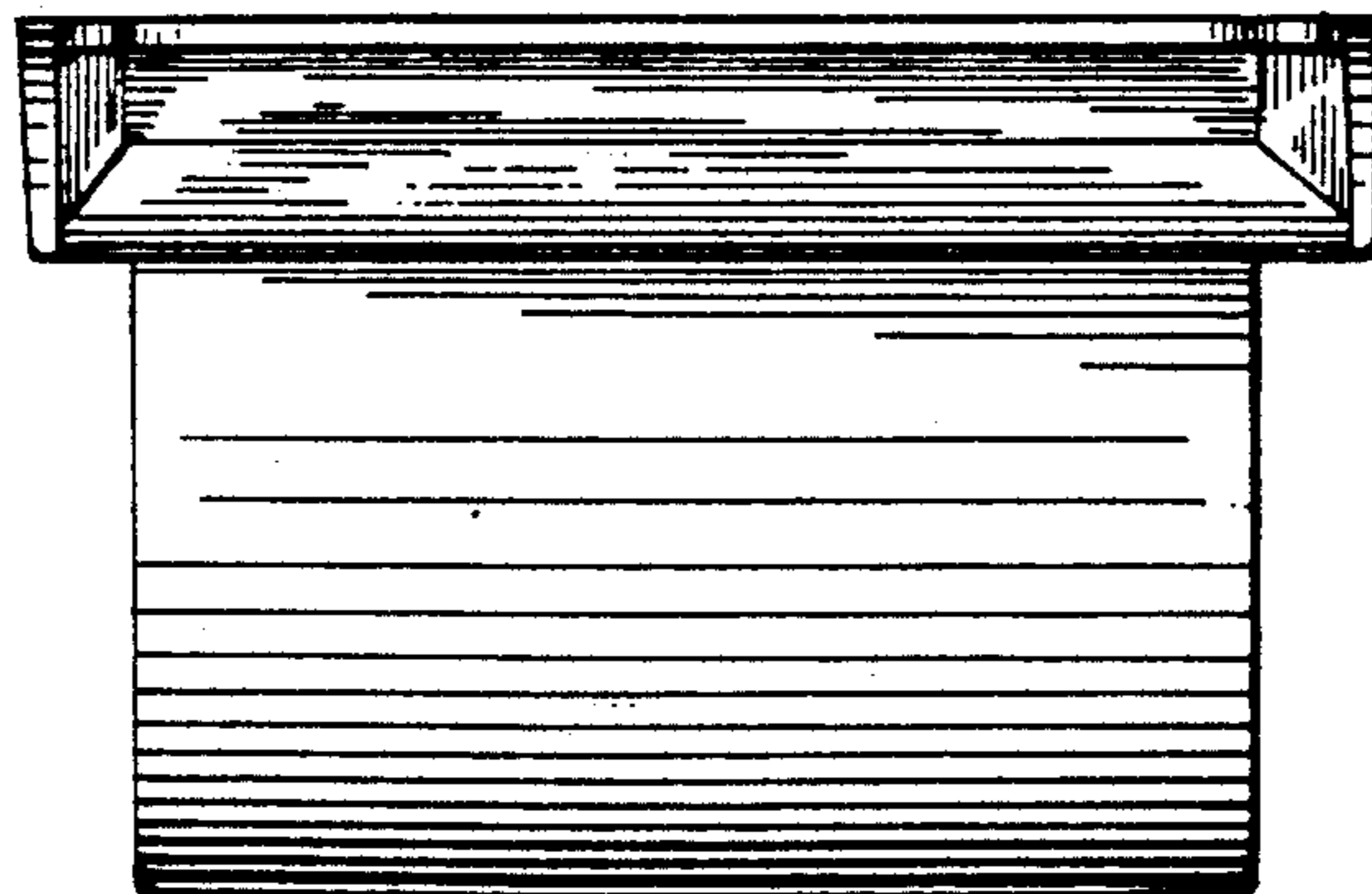
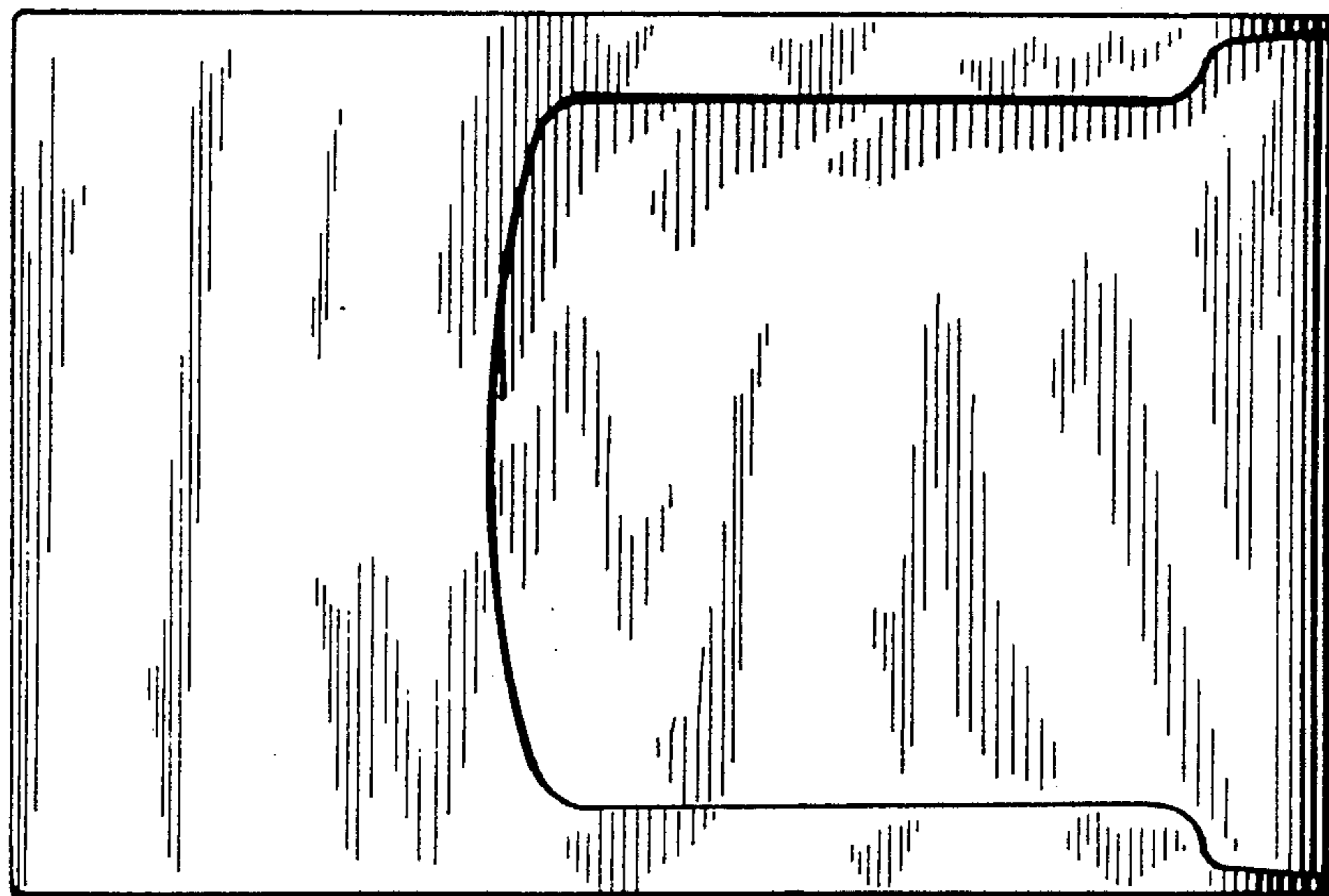


FIG. 4

FIG. 3

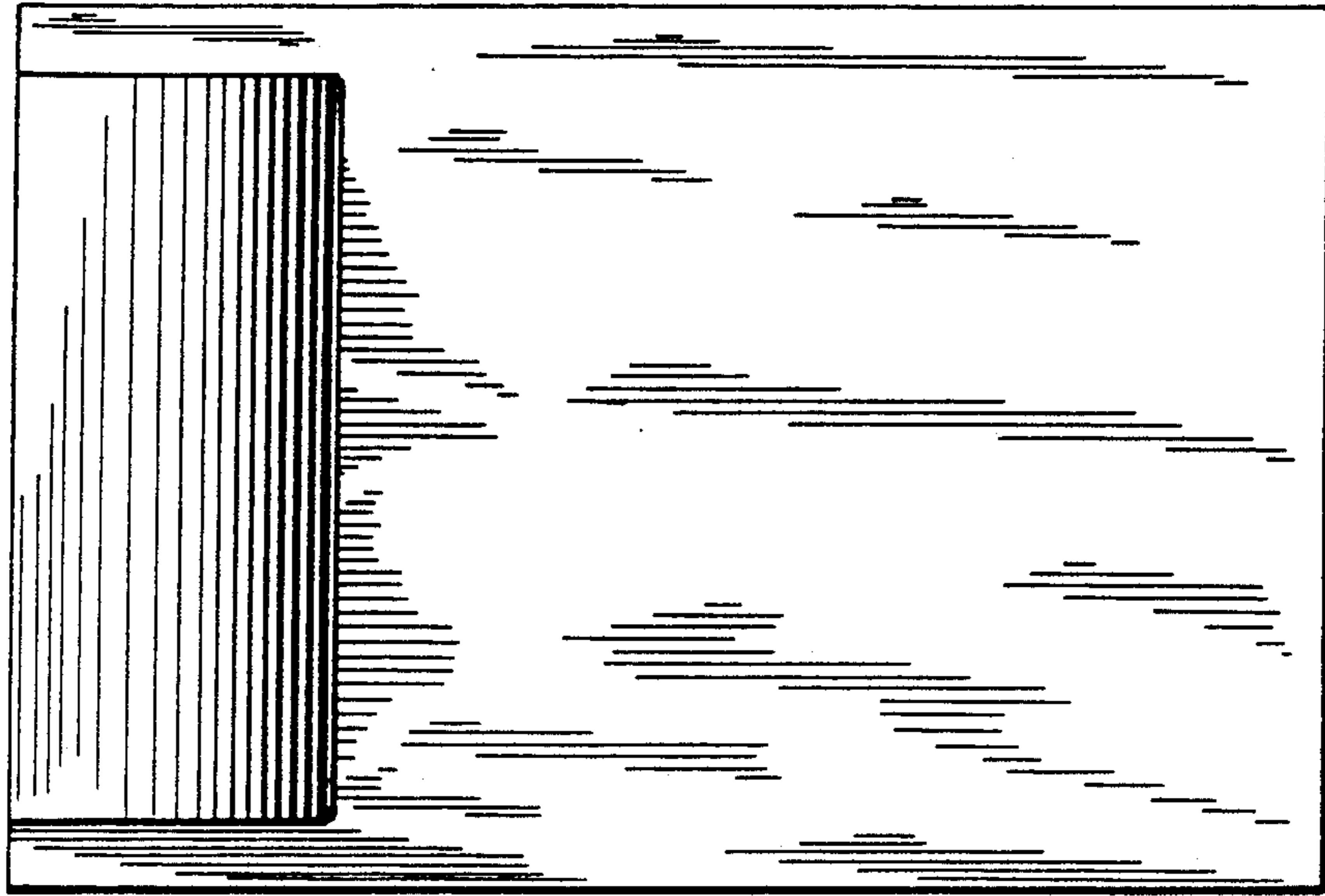


FIG. 5

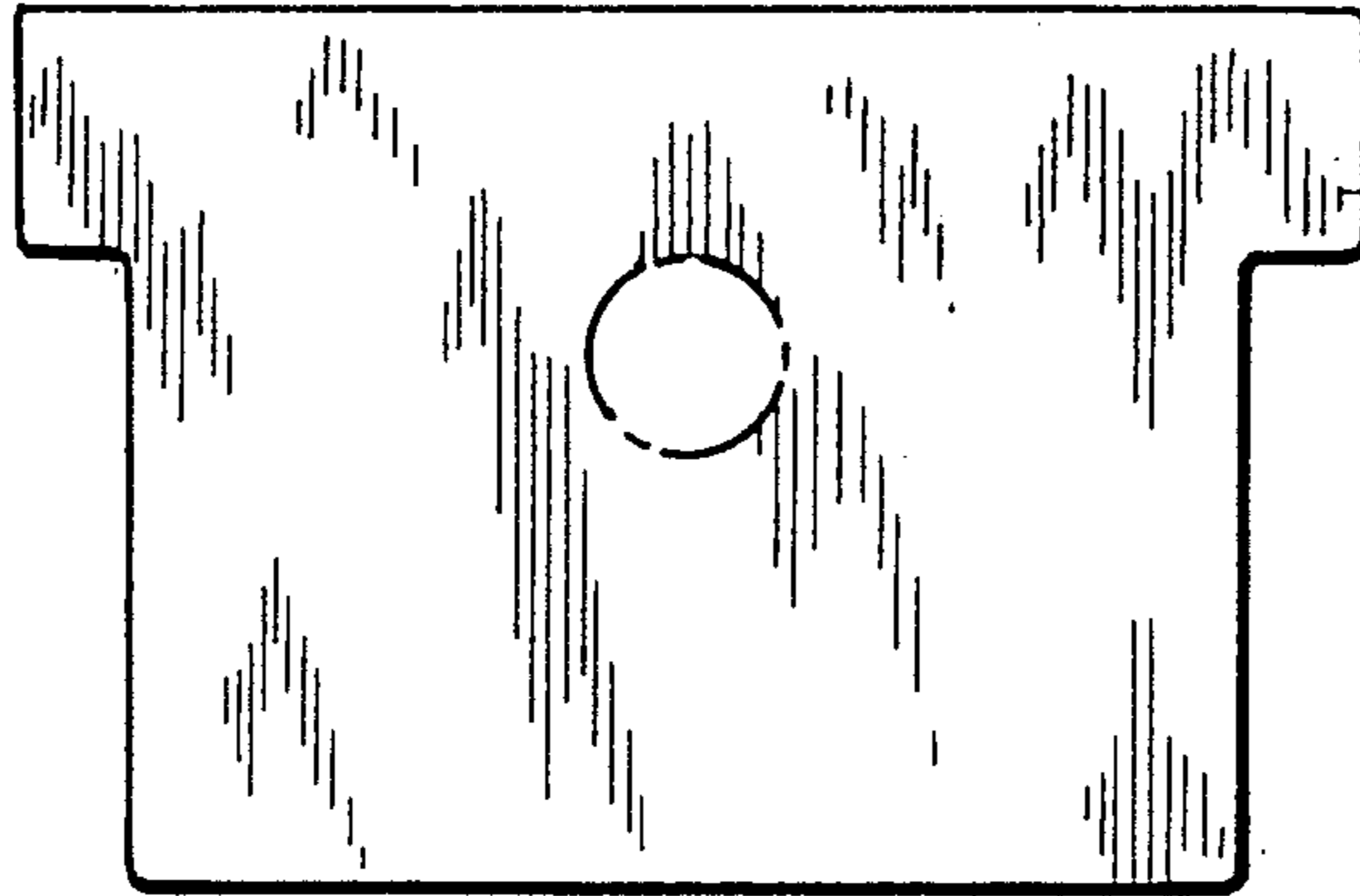


FIG. 6

