

[54] SWING CHECK VALVE

[76] Inventor: John P. Scaramucci, 10724 Woodridden, Oklahoma City, Okla. 73170

[\*] Notice: The portion of the term of this patent subsequent to Sep. 3, 2005 has been disclaimed.

[\*\*] Term: 14 Years

[21] Appl. No.: 62,048

[22] Filed: Jun. 15, 1987

Related U.S. Application Data

[63] Continuation-in-part of Ser. No. 49,383, May 13, 1987, Pat. No. 4,809,738.

[52] U.S. Cl. .... D23/237

[58] Field of Search ..... 137/515.7, 527-527.8; 251/303; D23/233-247

[56] References Cited

U.S. PATENT DOCUMENTS

D. 202,701	11/1965	Davis	.....	D23/237
D. 232,635	9/1974	Milan	.....	D23/237 X
D. 278,079	3/1985	Wiperby	.....	D23/237
1,399,684	12/1921	Belcher	.....	137/527
2,532,067	11/1950	Bour	.....	137/527.8
3,191,619	6/1965	Allen	.....	137/527.4
3,565,107	2/1971	Bunch	.....	137/527.8 X
3,626,148	12/1971	Woytowich	.....	137/527.8 X
3,720,228	3/1973	Wheatley	.....	137/515.7 X

3,817,277	6/1974	Wheatley	.....	137/527.8 X
3,933,173	1/1976	Kajita	.....	137/527.8
3,934,608	1/1976	Guyton	.....	137/527.8
3,990,471	11/1976	Schutzer et al.	.....	137/527
4,128,111	12/1978	Hansen et al.	.....	137/515.7
4,201,241	5/1980	Schertler	.....	137/527
4,223,697	9/1980	Pendleton	.....	137/527.8
4,230,150	10/1980	Scaramucci	.....	137/527.8 X
4,274,436	6/1981	Smith	.....	137/527.8 X
4,427,025	1/1984	Prince	.....	137/527.4
4,586,534	5/1986	McNeely	.....	137/527.4 X
4,605,041	8/1986	Teumer	.....	137/527

Primary Examiner—James R. Largen  
Attorney, Agent, or Firm—Dunlap, Coddling, Peterson & Lee

[57] CLAIM

The ornamental design for a swing check valve, as shown and described.

DESCRIPTION

FIG. 1 is a side perspective view of a swing check valve showing my new design;

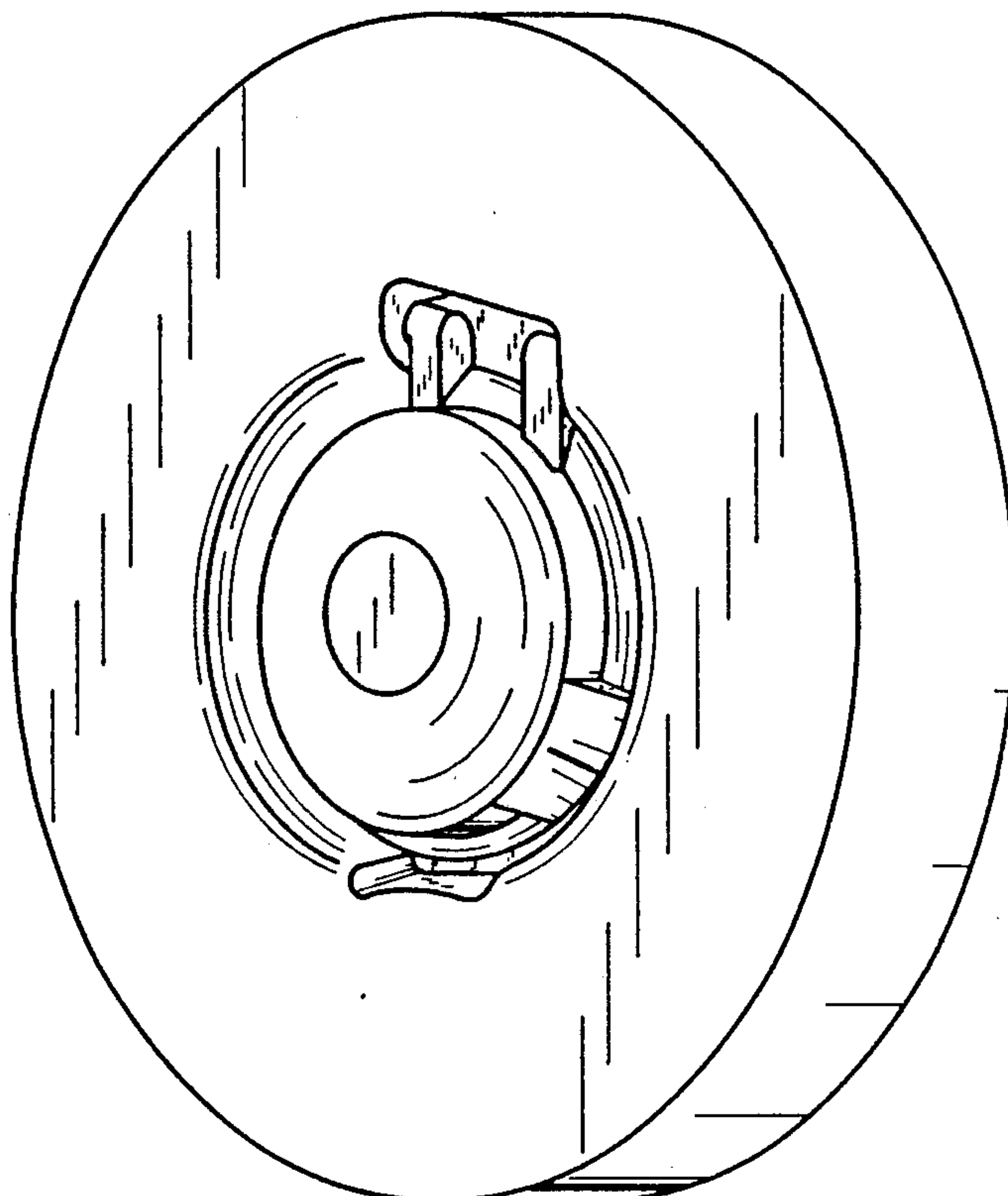
FIG. 2 is a perspective view taken from the side opposite that shown in FIG. 1;

FIG. 3 is a perspective view taken from the side opposite that shown in FIG. 1 showing the valve in an open position;

FIG. 4 is a perspective view taken from the opposite side of FIG. 3;

FIG. 5 is an exploded perspective view taken from the side shown in FIG. 1; and

FIG. 6 is an exploded perspective view taken from the side shown in FIG. 2.



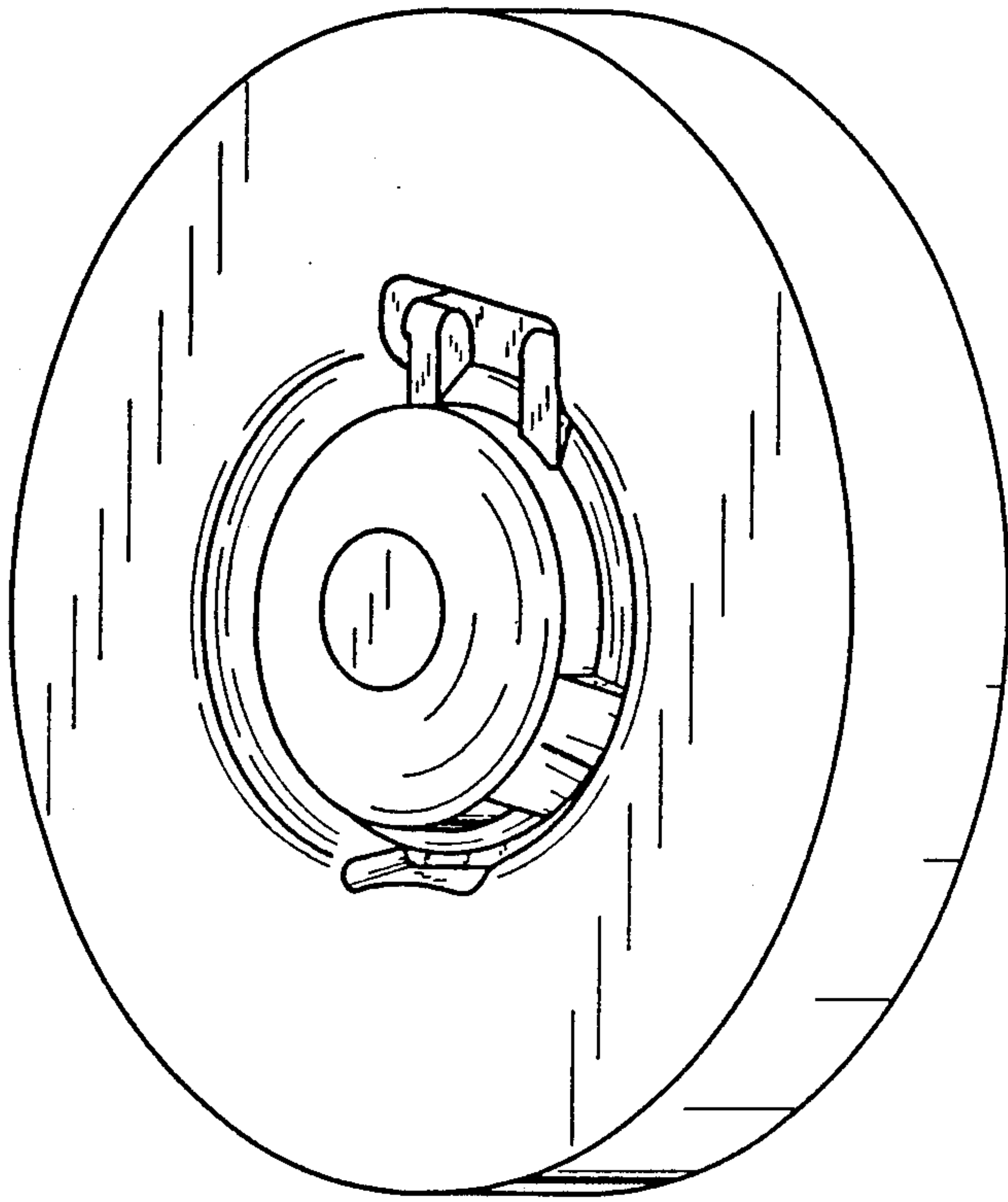


FIG. 1

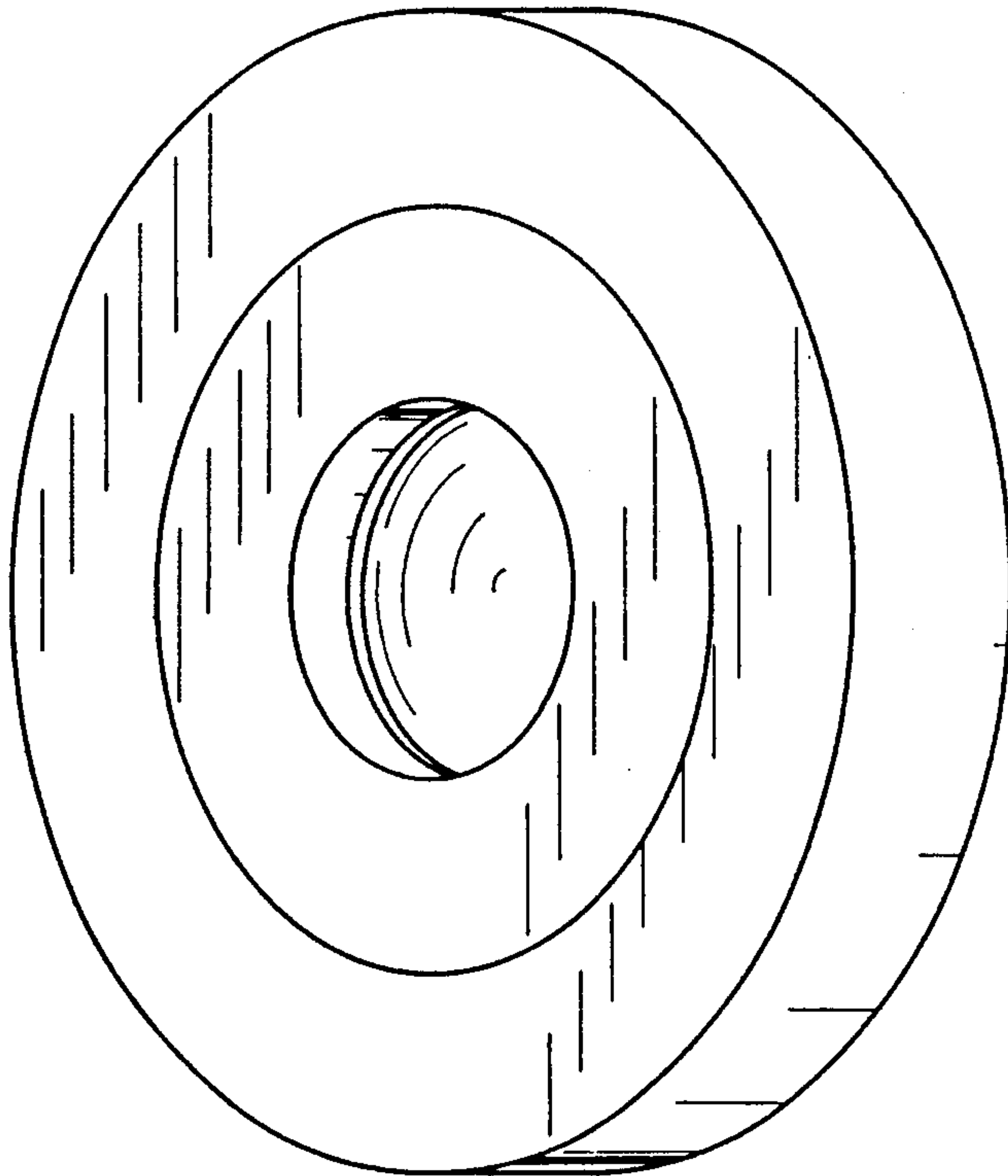


FIG. 2

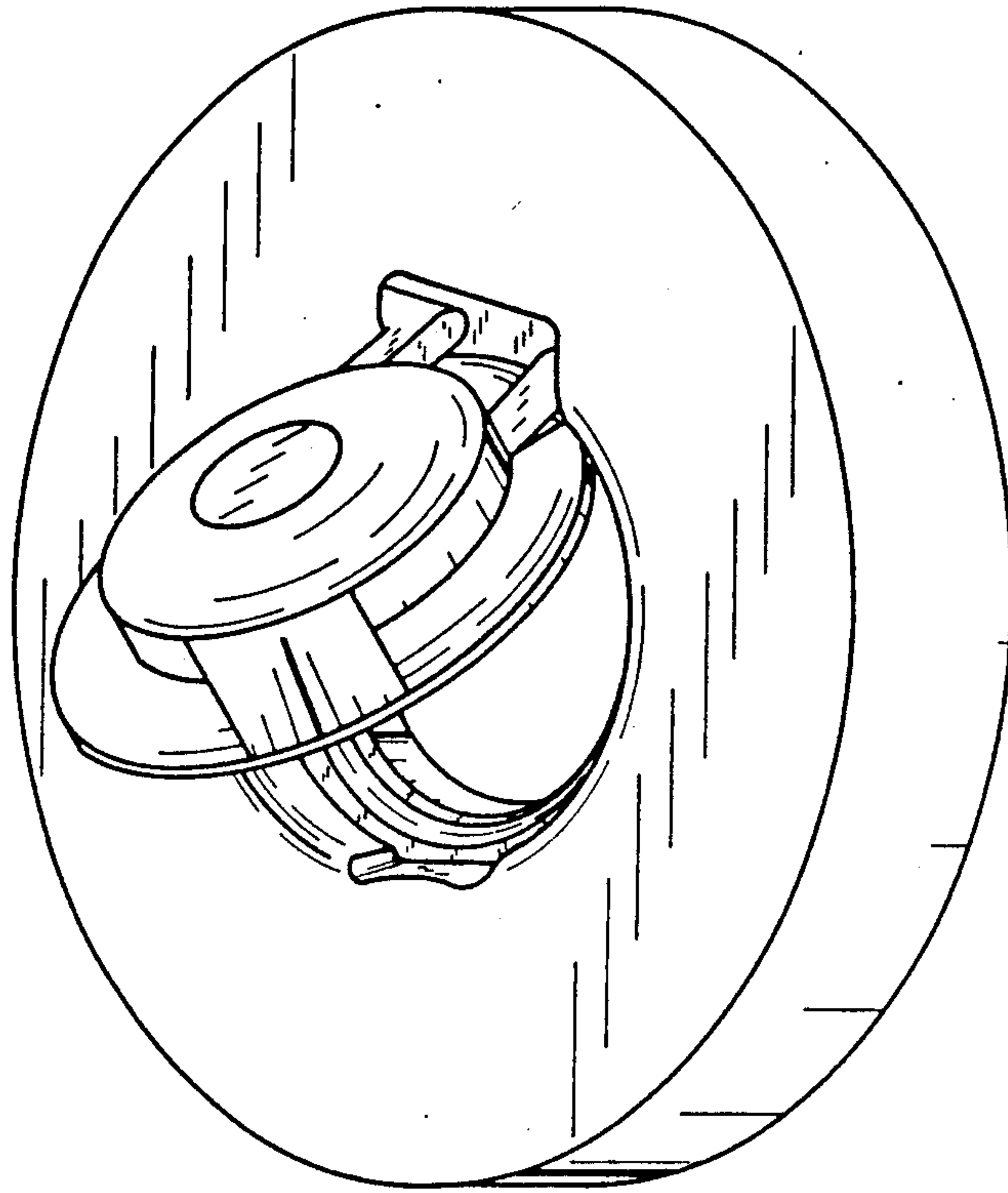


FIG. 3

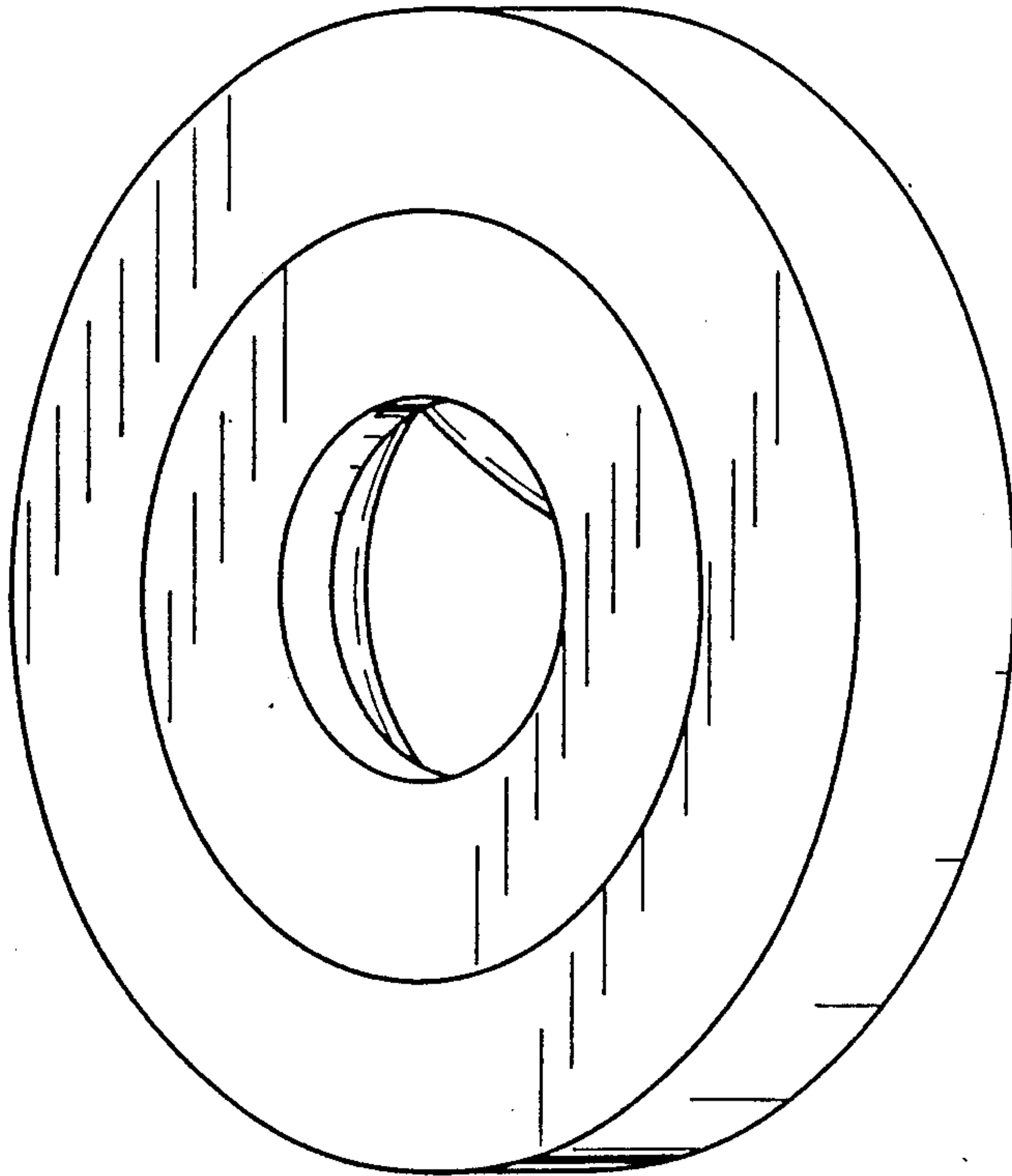


FIG. 4

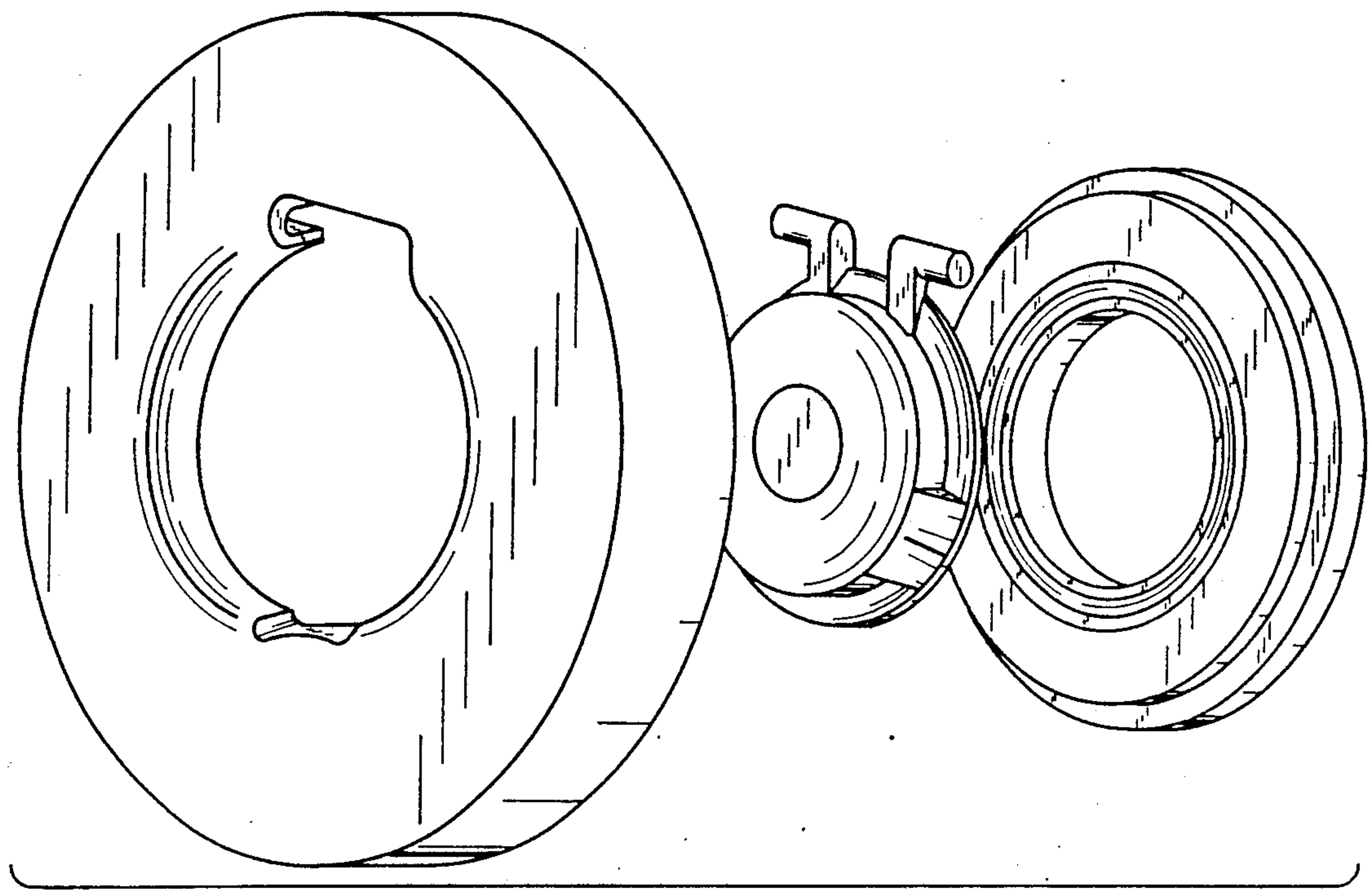


FIG. 5

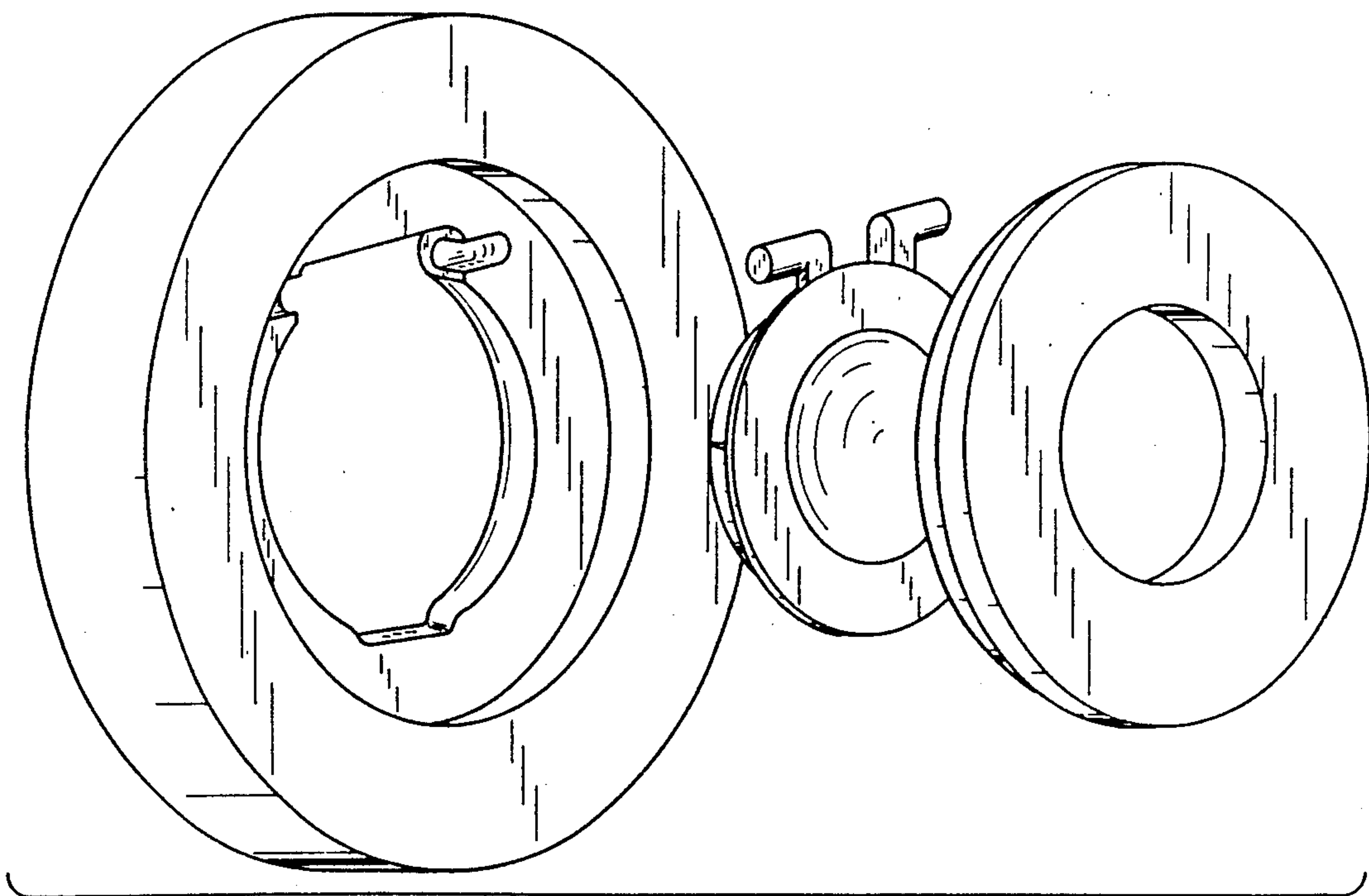


FIG. 6