

[54] **CHECK VALVE**

[76] **Inventor: John P. Scaramucci, 10724 Woodridden, Oklahoma City, Okla. 73170**

[\*] **Notice: The portion of the term of this patent subsequent to Sep. 3, 2005 has been disclaimed.**

[\*\*] **Term: 14 Years**

[21] **Appl. No.: 62,047**

[22] **Filed: Jun. 15, 1987**

[52] **U.S. Cl. .... D23/237**

[58] **Field of Search ..... 137/515.7, 527-527.8; D23/233-247**

3,990,471	11/1976	Schutzer et al. ....	137/527
4,128,111	12/1978	Hansen et al. ....	137/515.7
4,201,241	5/1980	Schertler .....	137/527
4,223,697	9/1980	Pendleton .....	137/527.8
4,230,150	10/1980	Scaramucci .....	137/527.8 X
4,274,436	6/1981	Smith .....	137/527.8 X
4,427,025	1/1984	Prince .....	137/527.4
4,586,534	5/1986	McNeely .....	137/527.4 X
4,605,041	8/1986	Teumer .....	137/527

*Primary Examiner*—James R. Largen  
*Attorney, Agent, or Firm*—Dunlap, Coddling, Peterson & Lee

[57] **CLAIM**

The ornamental design for a check valve, as shown and described.

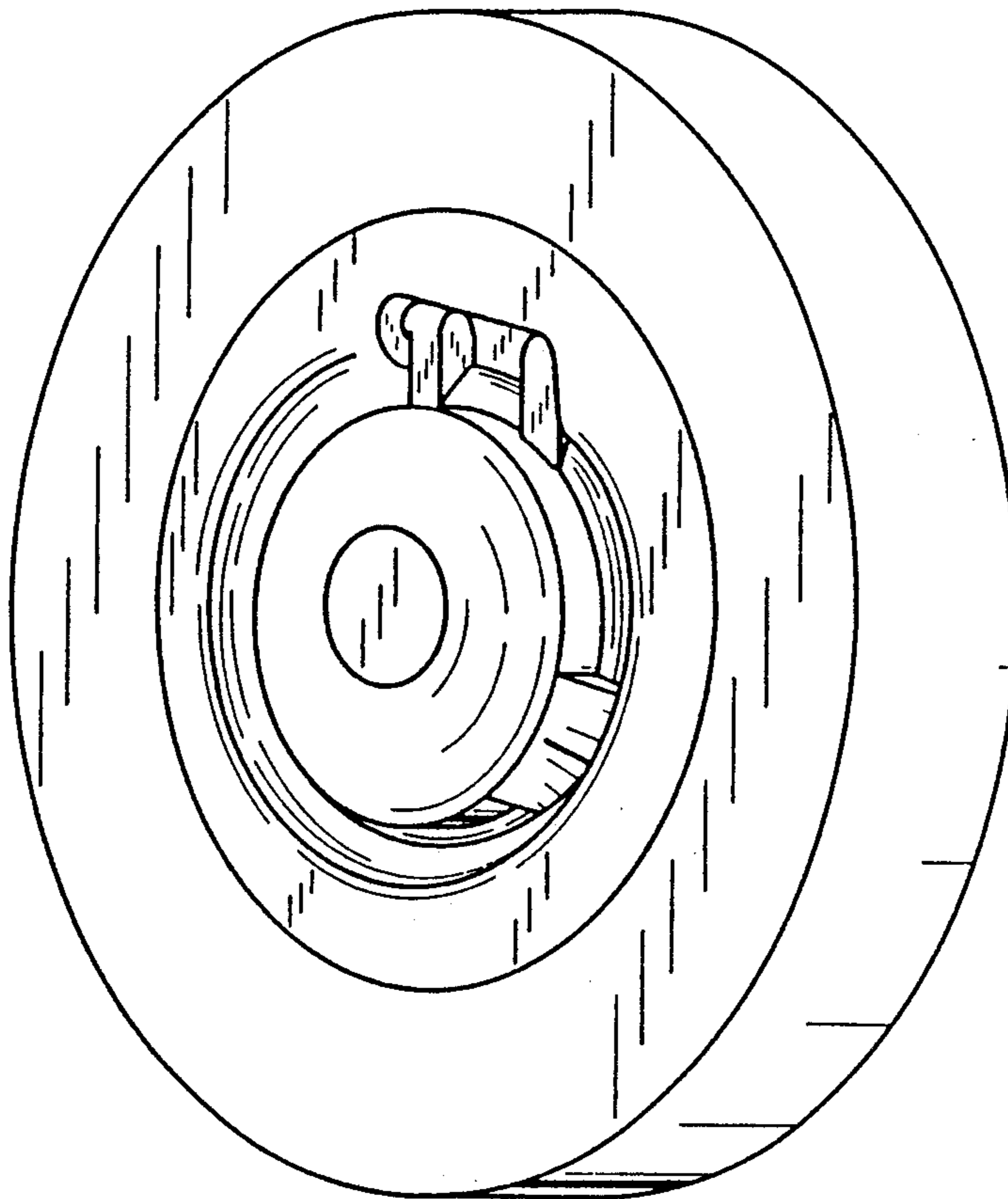
**DESCRIPTION**

FIG. 1 is a side perspective view of a swing check valve showing my new design;  
 FIG. 2 is a perspective view taken from the side opposite that shown in FIG. 1;  
 FIG. 3 is a perspective view taken from the side opposite that shown in FIG. 1 showing the valve in an open position;  
 FIG. 4 is a perspective view taken from the opposite side of FIG. 3;  
 FIG. 5 is an exploded perspective view taken from the side shown in FIG. 1; and  
 FIG. 6 is an exploded perspective view taken from the side shown in FIG. 2.

[56] **References Cited**

**U.S. PATENT DOCUMENTS**

D. 202,701	11/1965	Davis .....	D23/237
D. 232,635	9/1974	Milan .....	D23/237 X
D. 278,079	3/1985	Wiperby .....	D23/237
1,399,684	12/1921	Belcher .....	137/527
2,532,067	11/1950	Bour .....	137/527.8
3,191,619	6/1965	Allen .....	137/527.4
3,565,107	2/1971	Bunch .....	137/527.8 X
3,626,148	12/1971	Woytowich .....	137/527.8 X
3,720,228	3/1973	Wheatley .....	137/515.7 X
3,817,277	6/1974	Wheatley .....	137/527.8 X
3,933,173	1/1976	Kajita .....	137/527.8
3,934,608	1/1976	Guyton .....	137/527.8



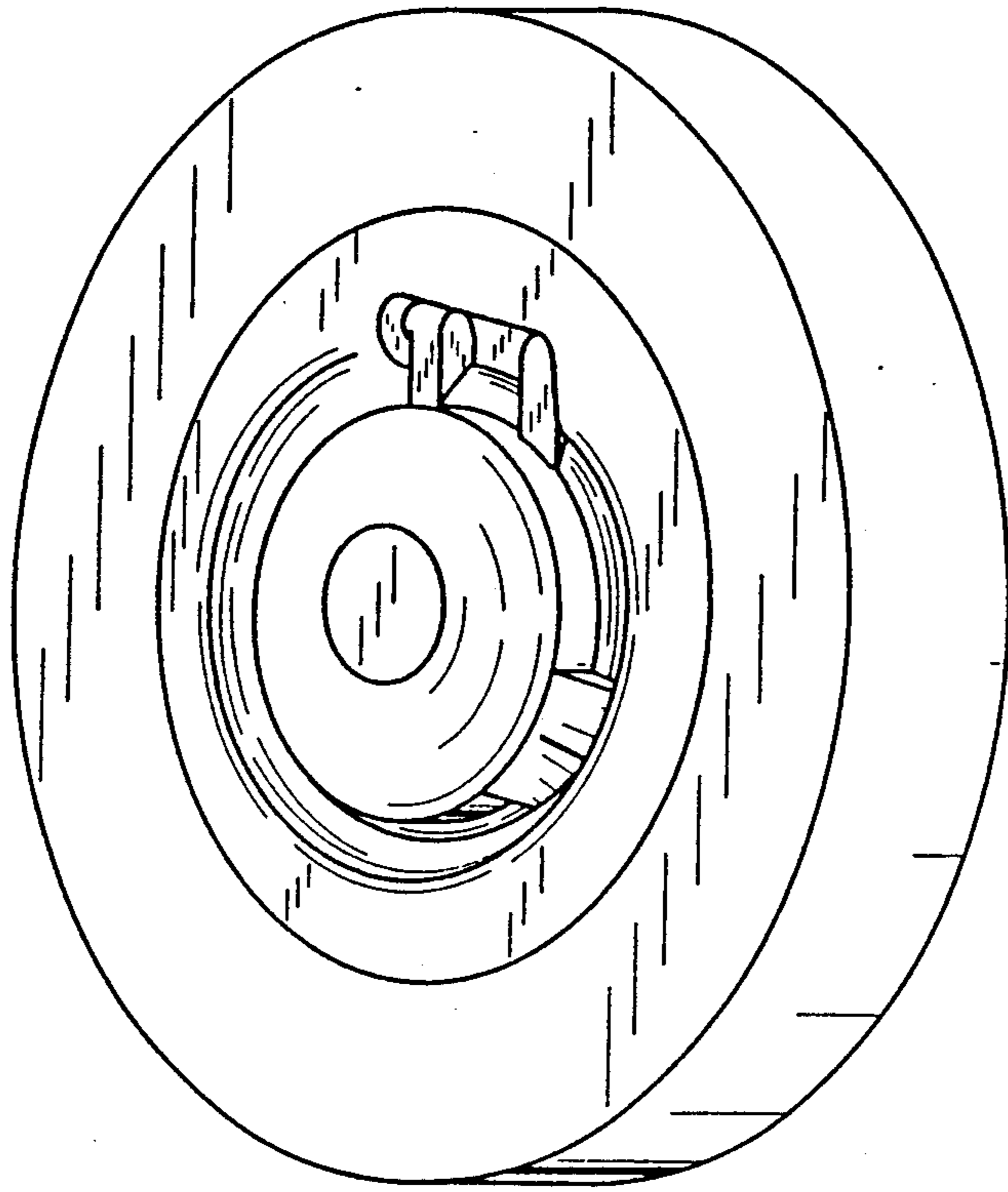


FIG. 1

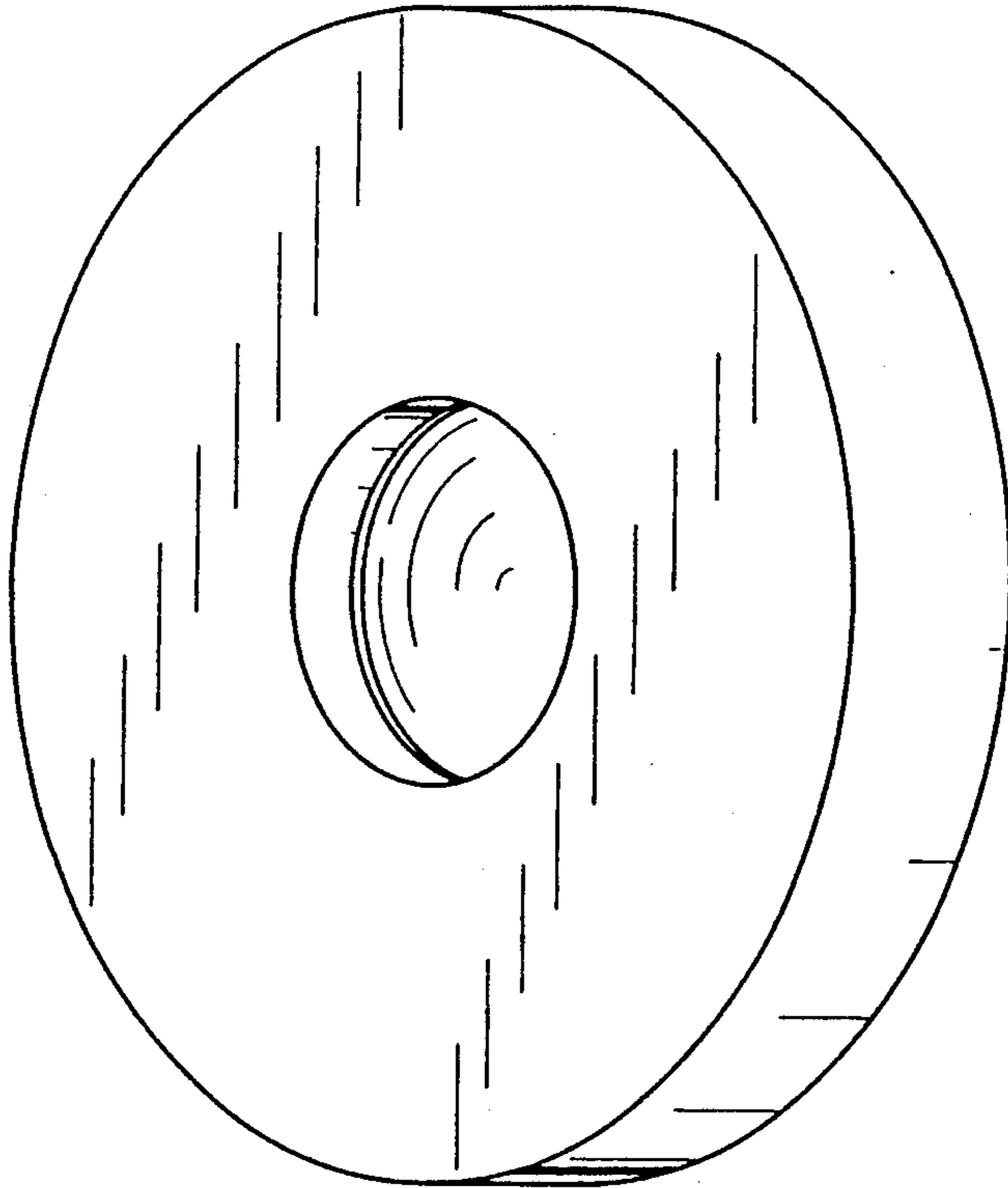


FIG. 2

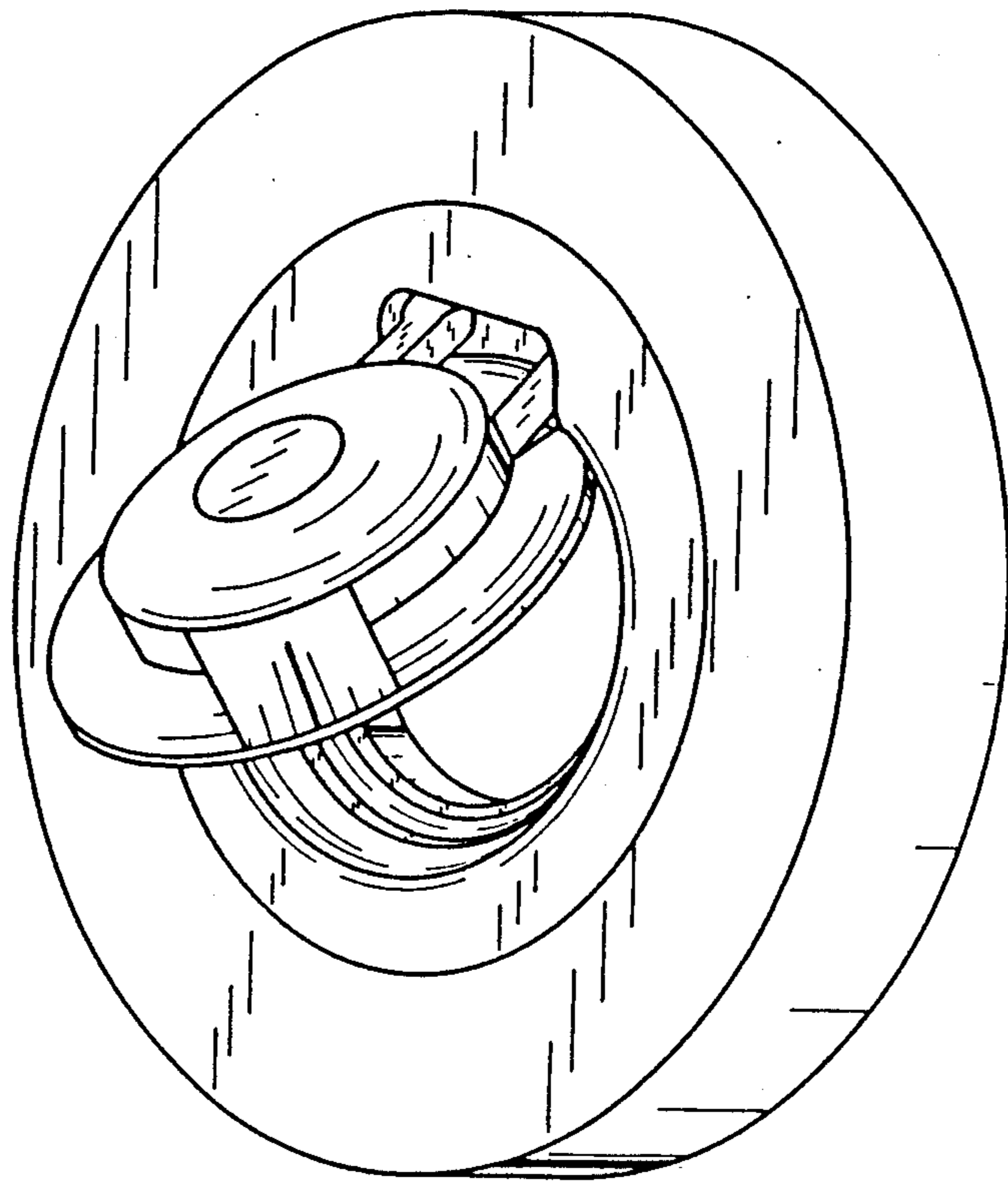


FIG. 3

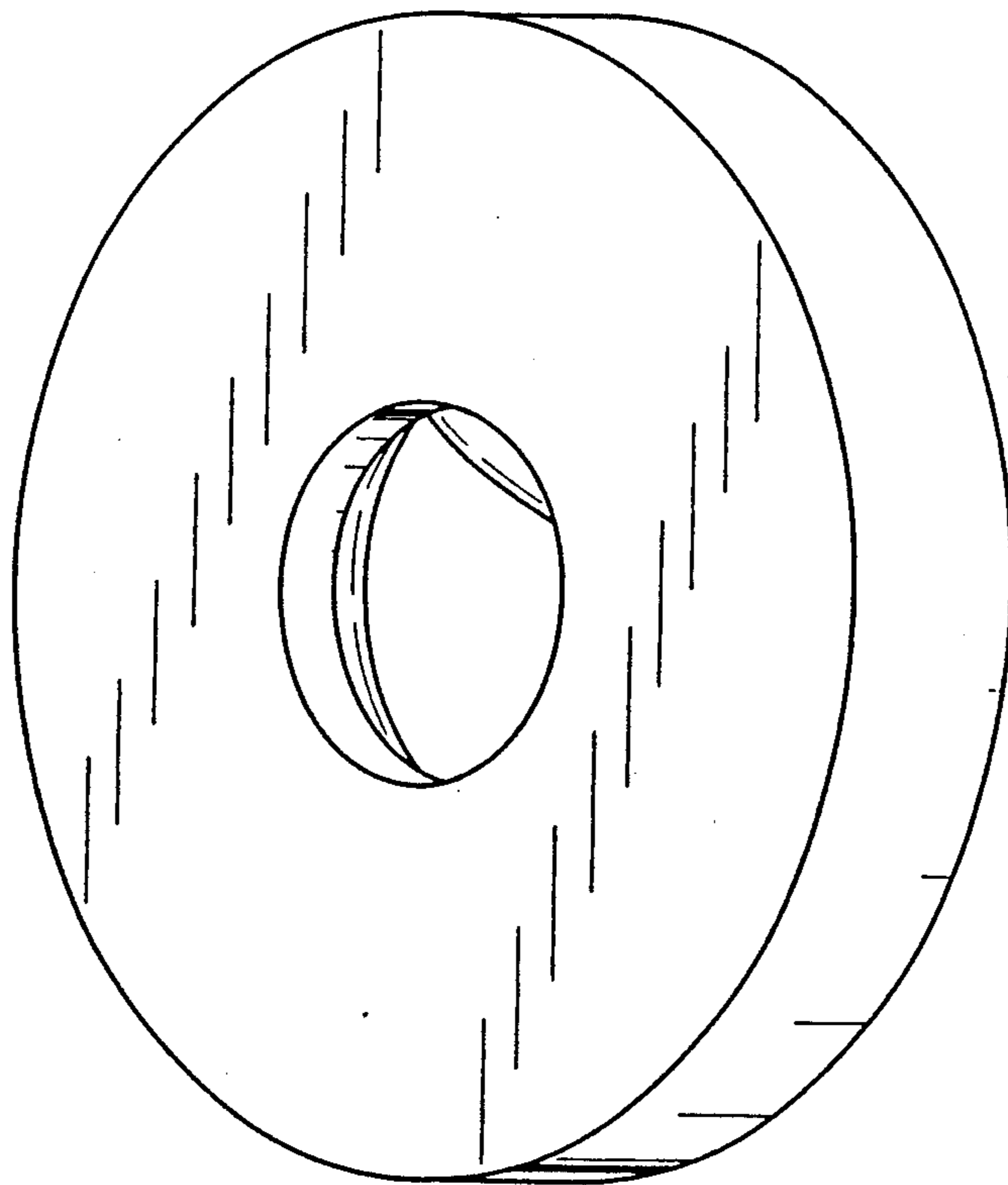


FIG. 4

