

[54] WINTER/SUMMER SKI

[57] CLAIM

[76] Inventor: Kenneth W. Loverme, 5 Winsor St., Jamestown, N.Y. 14701

The ornamental design for a winter/summer ski, as shown and described.

[**] Term: 14 Years

DESCRIPTION

[21] Appl. No.: 402,425

FIG. 1 is a front elevational view of a winter/summer ski showing my new design, in the winter ski mode embodiment;

[22] Filed: Sep. 5, 1989

FIG. 2 is a rear elevational view of FIG. 1;

[52] U.S. Cl. D21/228

FIG. 3 is a left side elevational view of FIG. 1;

[58] Field of Search D21/228, 229, 236, 237; D12/6, 11; 280/13, 16, 18, 12 R; 441/65, 66

FIG. 4 is a right side elevational view of FIG. 1;

FIG. 5 is a top plan view of FIG. 1;

FIG. 6 is a bottom plan view of FIG. 1;

[56] References Cited

U.S. PATENT DOCUMENTS

D. 226,937	5/1973	Heniges	D21/228
D. 232,963	9/1974	Turner	D21/228
D. 300,051	2/1989	Minurri	D21/228
D. 300,840	4/1989	Minurri	D21/228
3,473,818	10/1969	Meredith	280/13

FIG. 7 is a front elevational view of a winter/summer ski, in the summer ski mode embodiment;

FIG. 8 is a rear elevational view of FIG. 7;

FIG. 9 is a left side elevational view of FIG. 7;

FIG. 10 is a right side elevational view of FIG. 7;

FIG. 11 is a top plan view of FIG. 7;

FIG. 12 is a bottom plan view of FIG. 7;

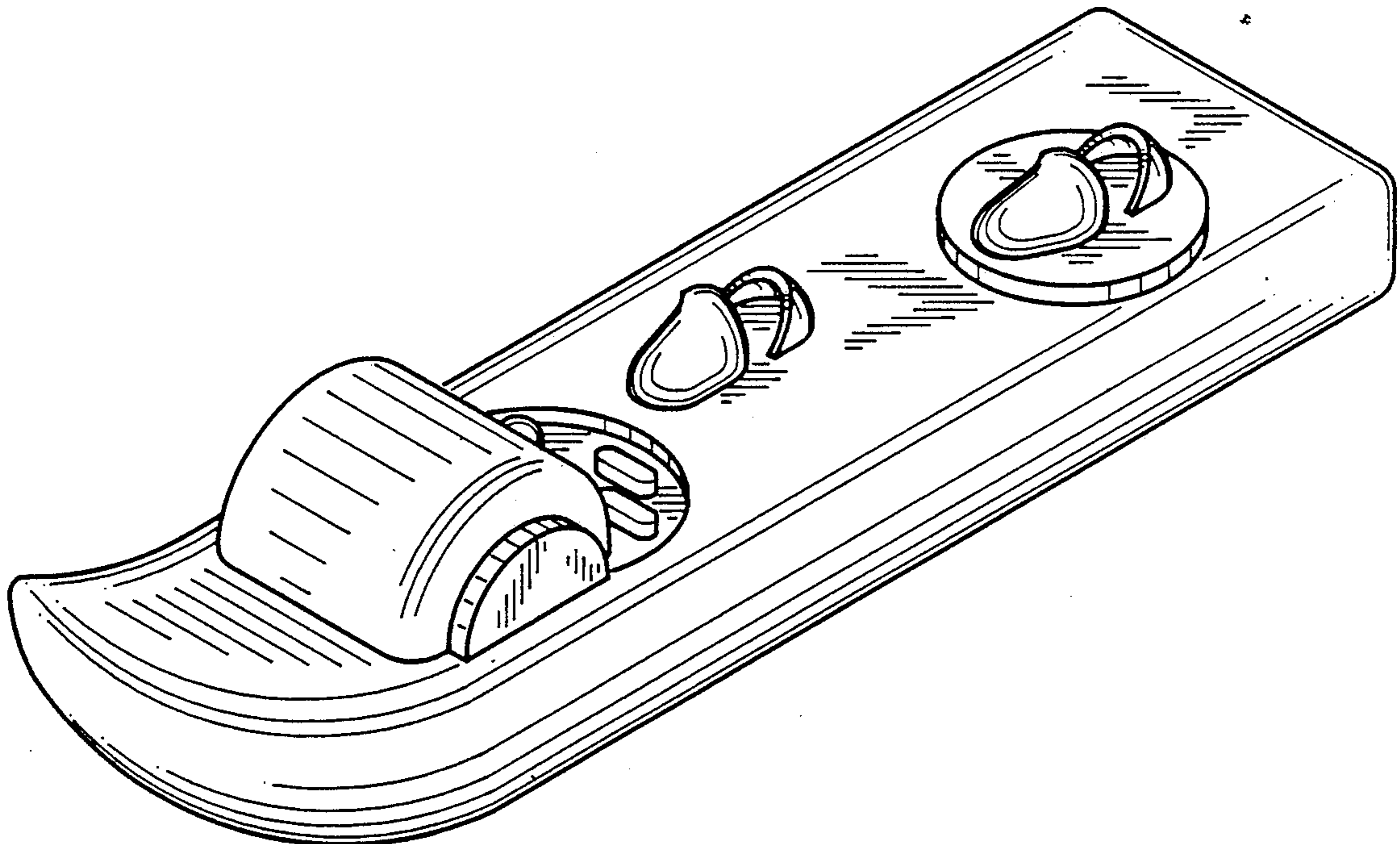
FIG. 13 is a top perspective view of FIG. 1;

FIG. 14 is a bottom perspective view of FIG. 1; and

FIG. 15 is a bottom perspective view of FIG. 7.

Primary Examiner—Kay H. Chin

Attorney, Agent, or Firm—Jerry T. Kearns



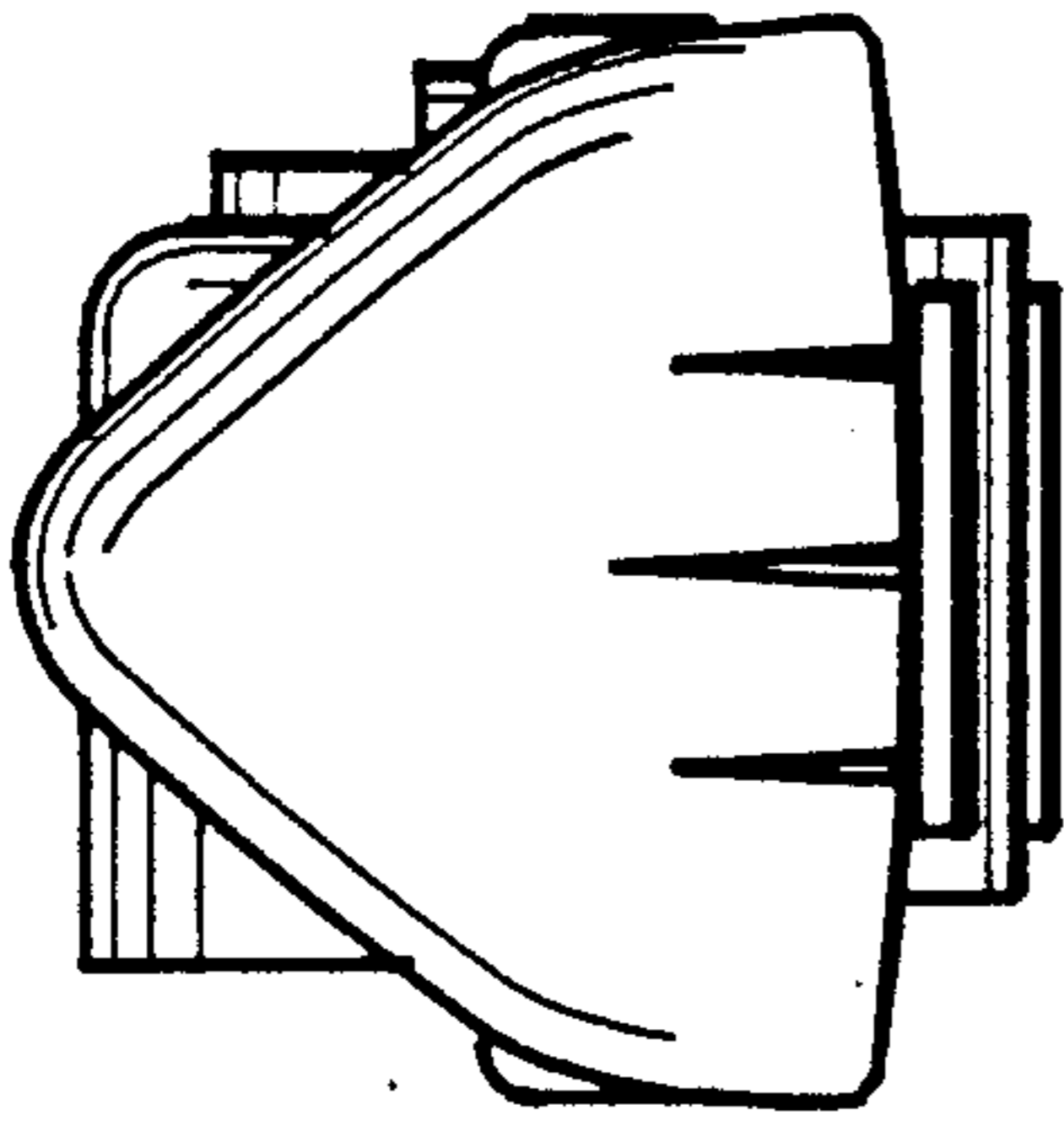


Fig. 1

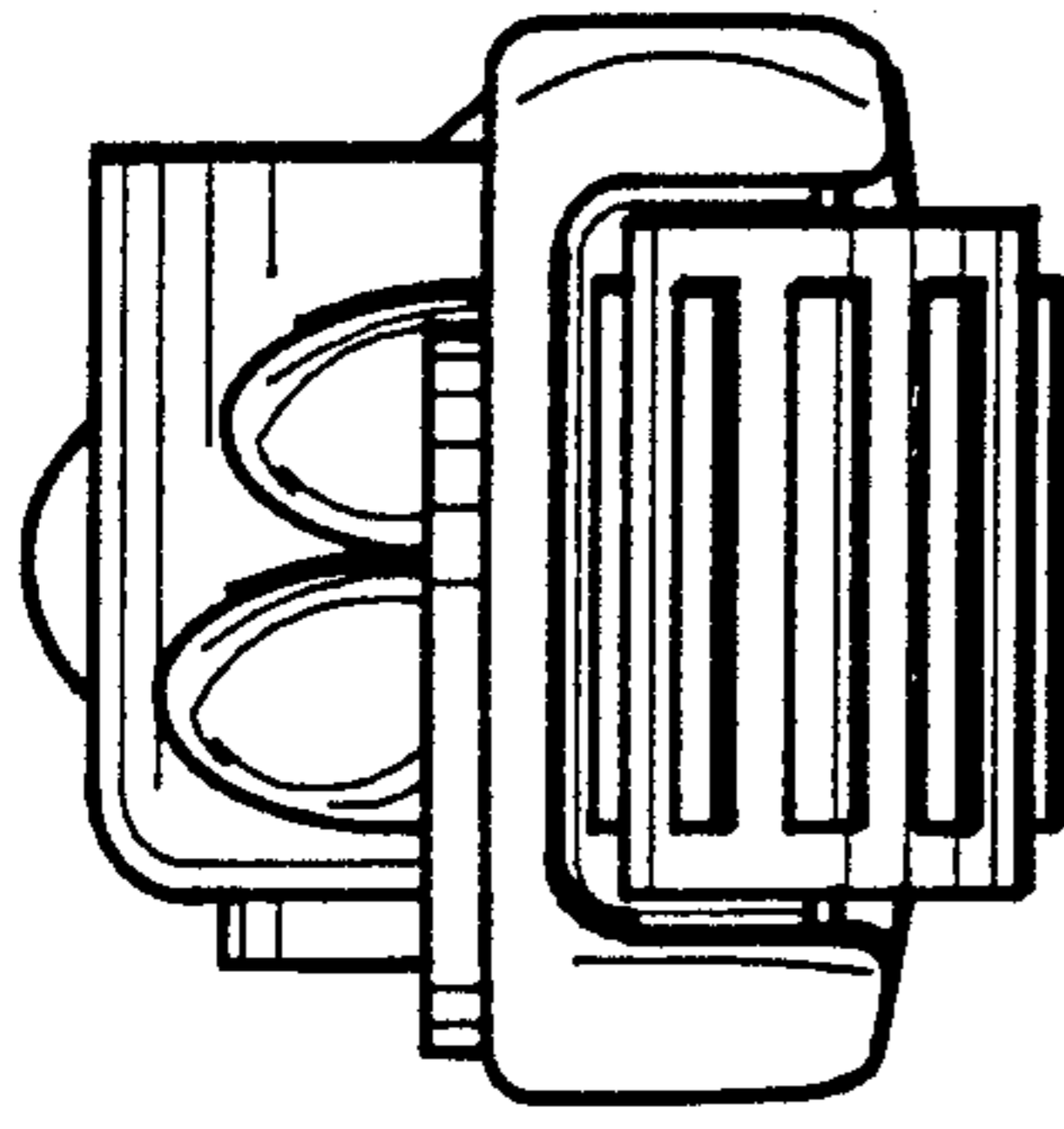


Fig. 2

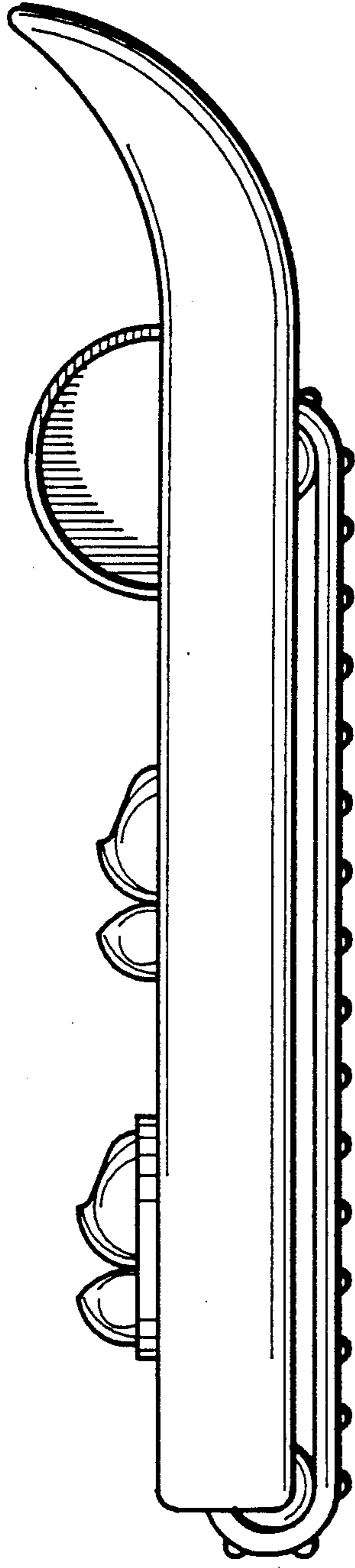


Fig. 3

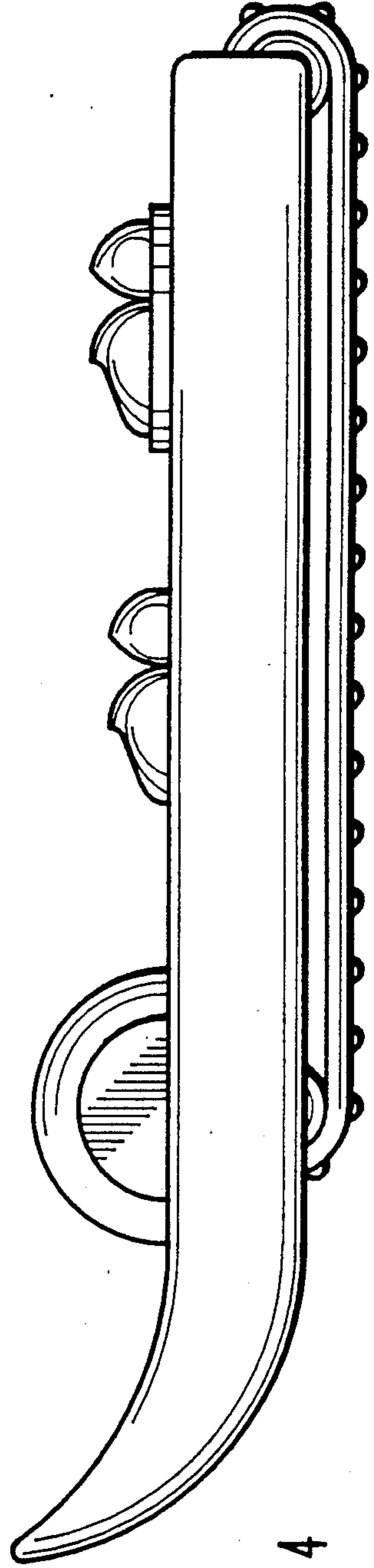


Fig. 4

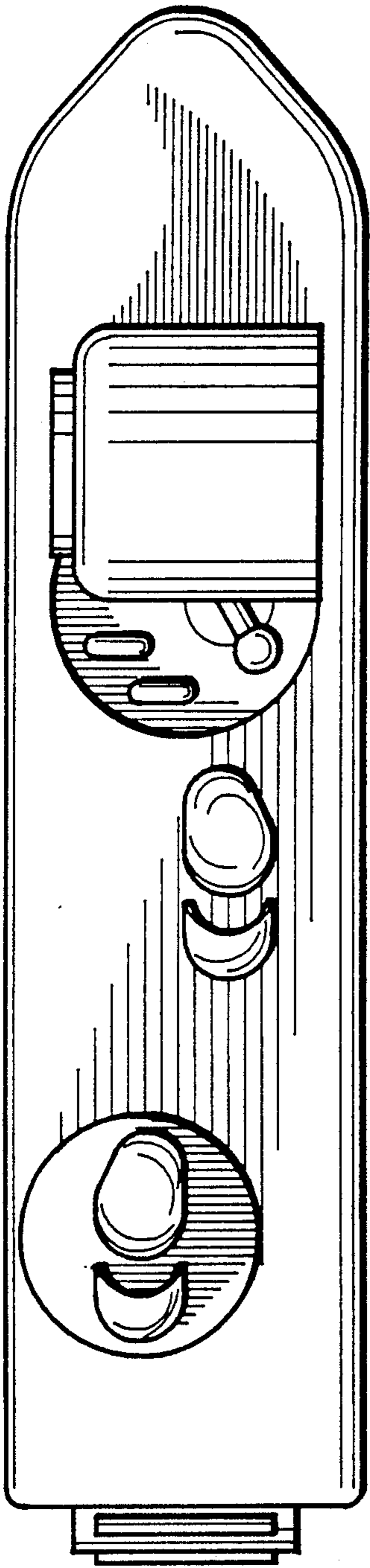


Fig. 5

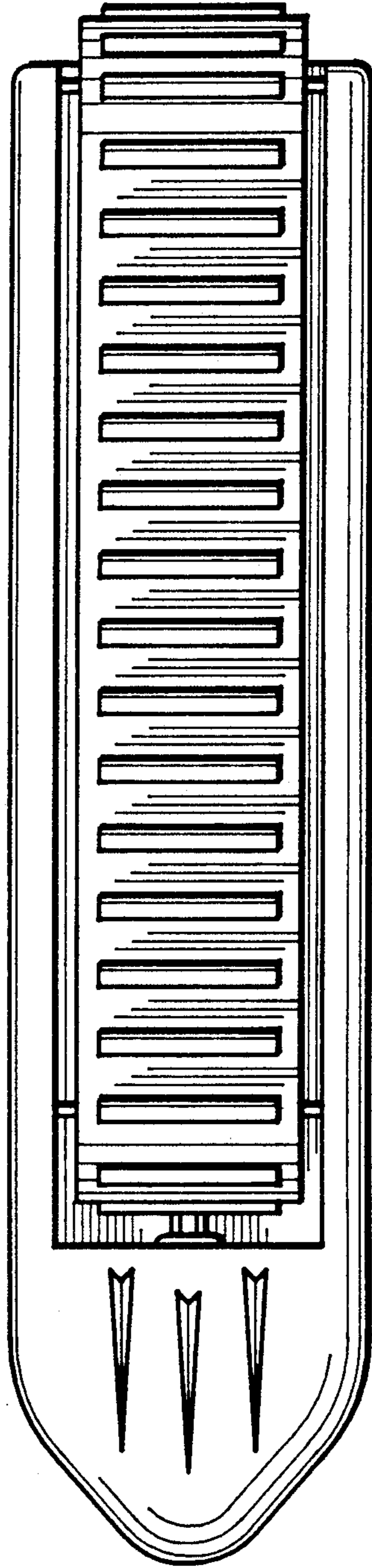


Fig. 6

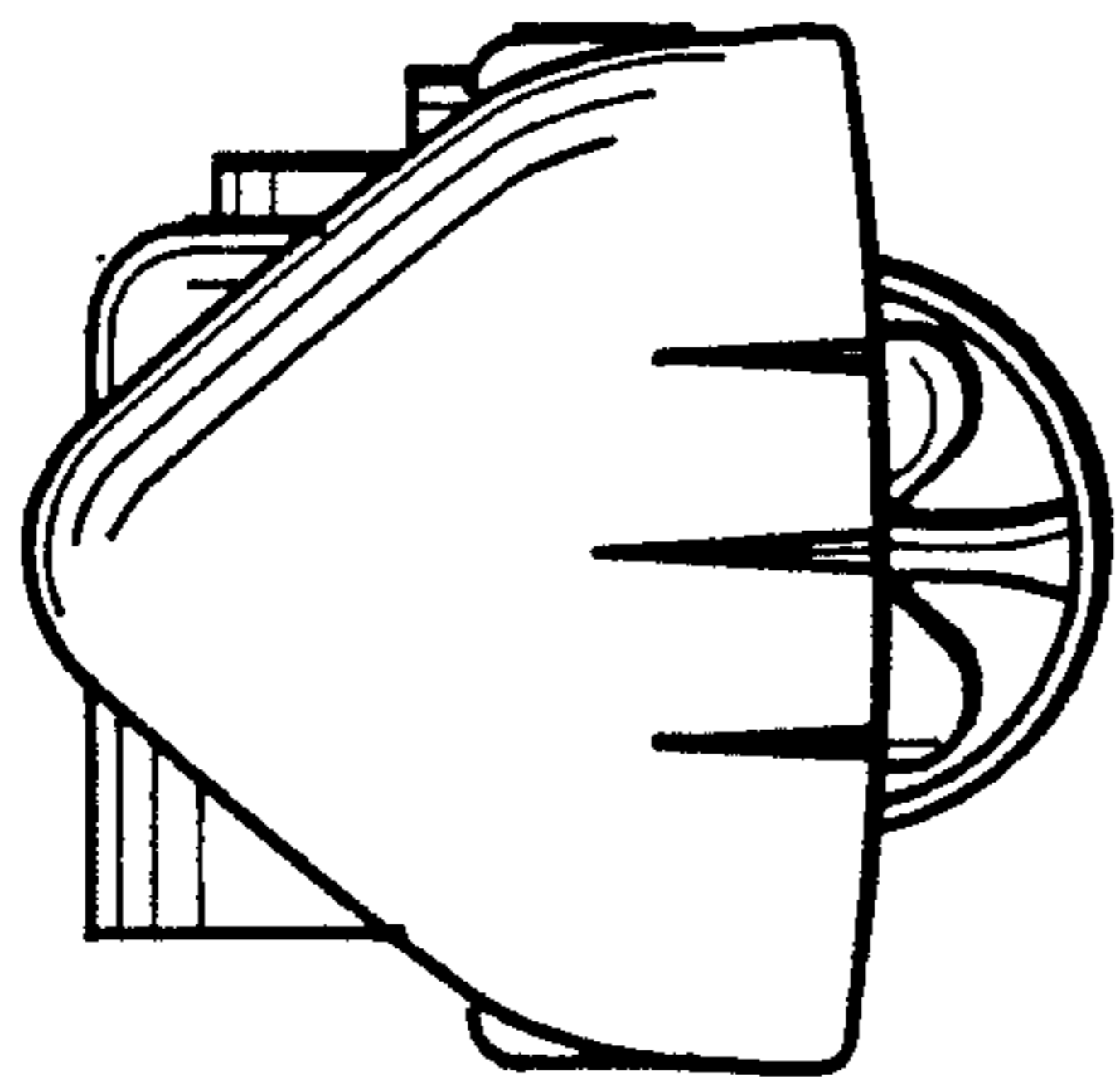


Fig. 7

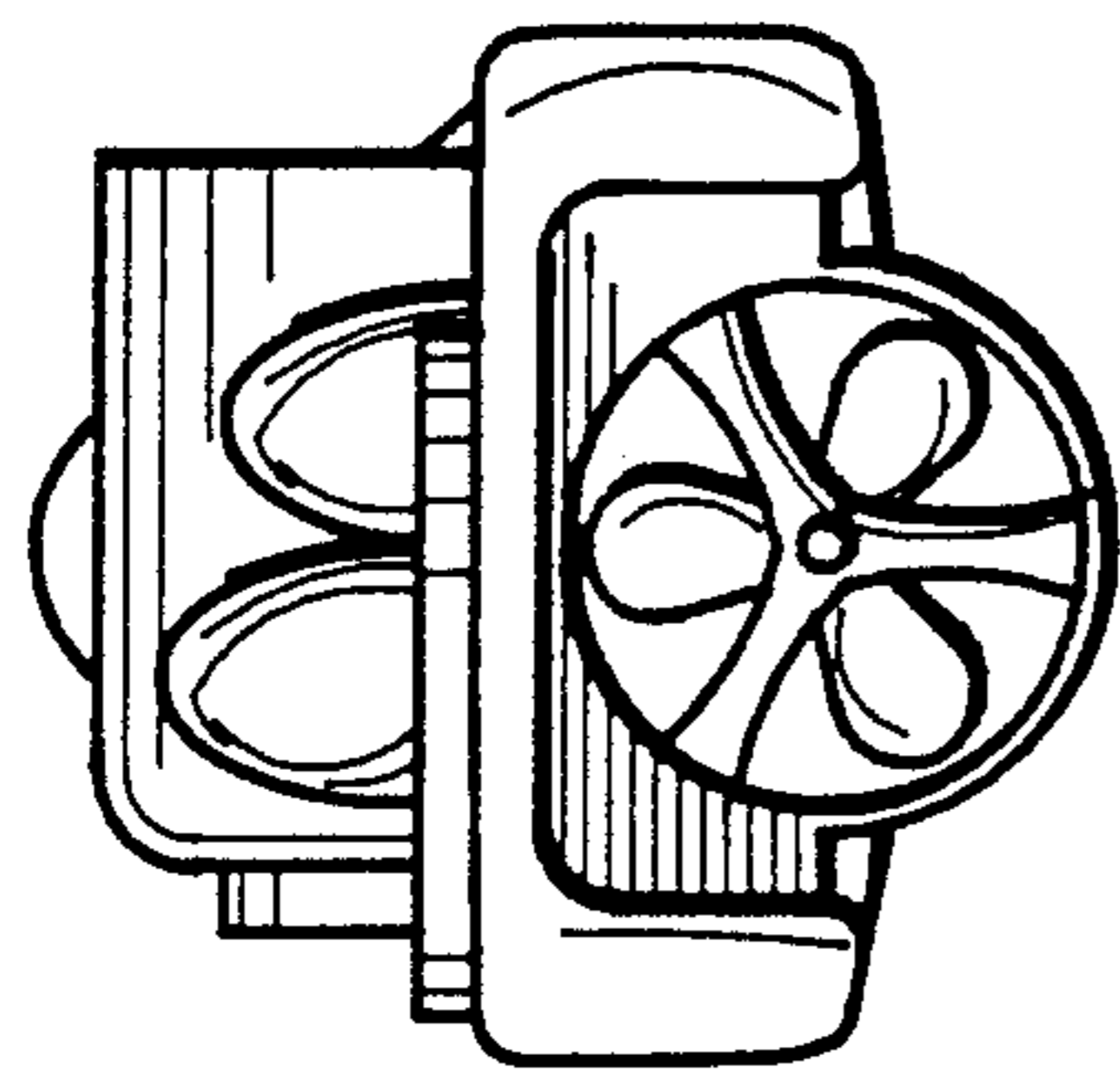


Fig. 8



Fig. 9

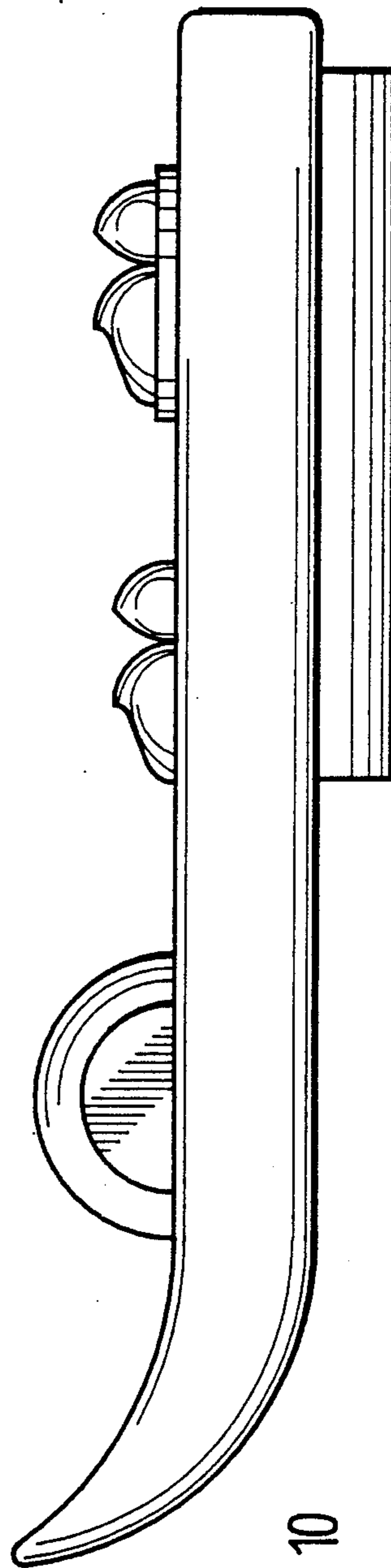


Fig. 10

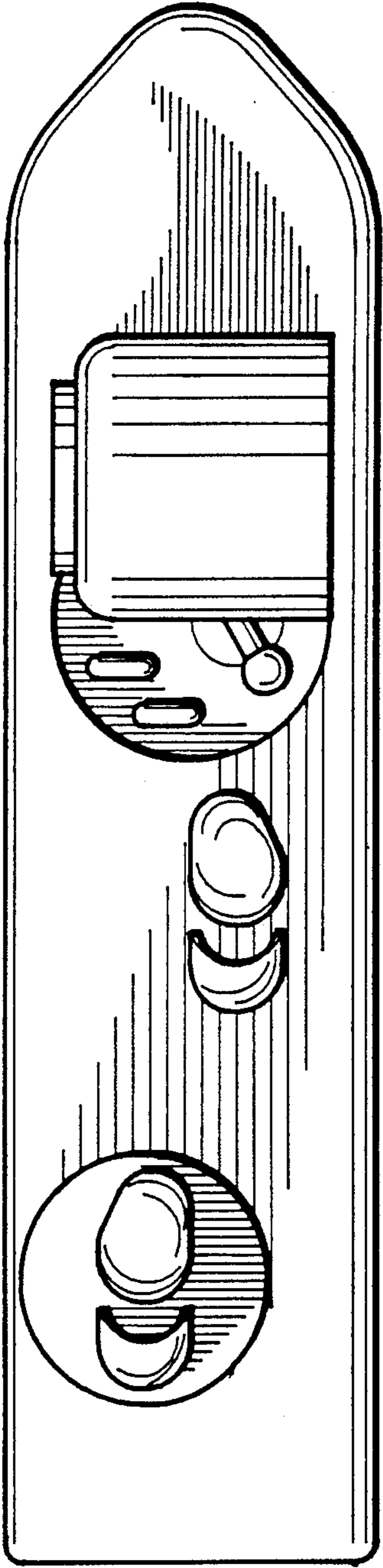


Fig. 11

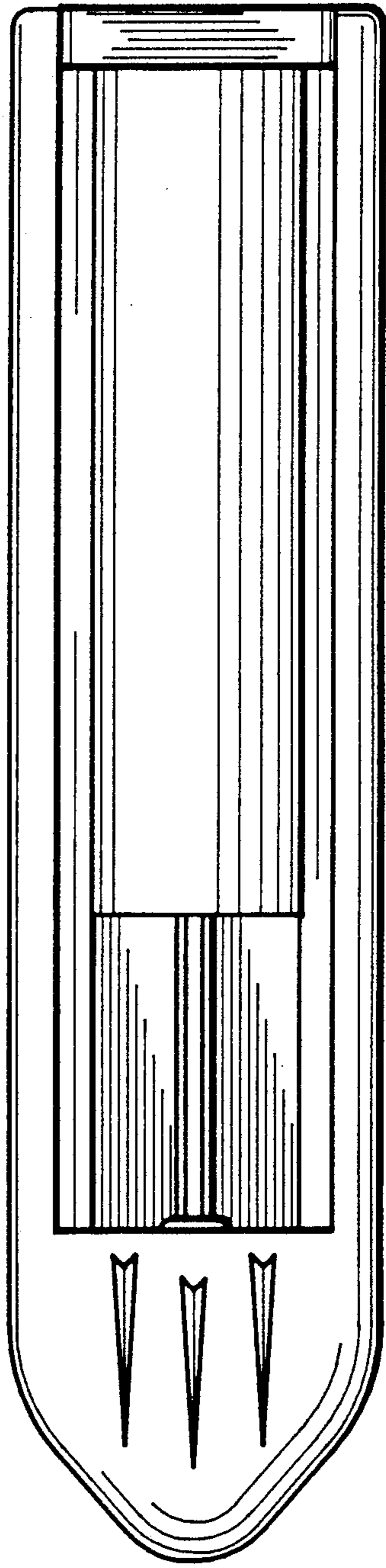


Fig. 12

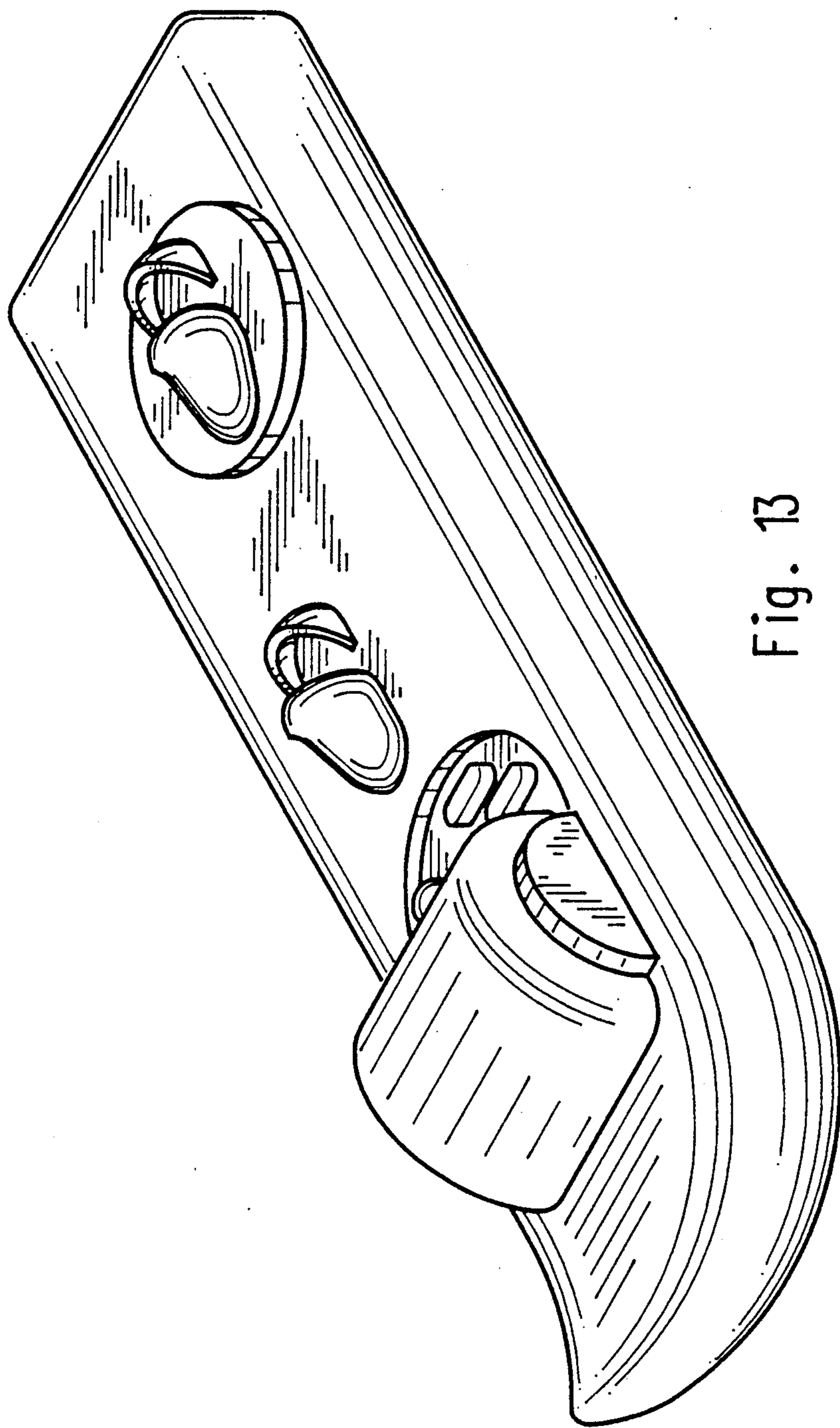


Fig. 13

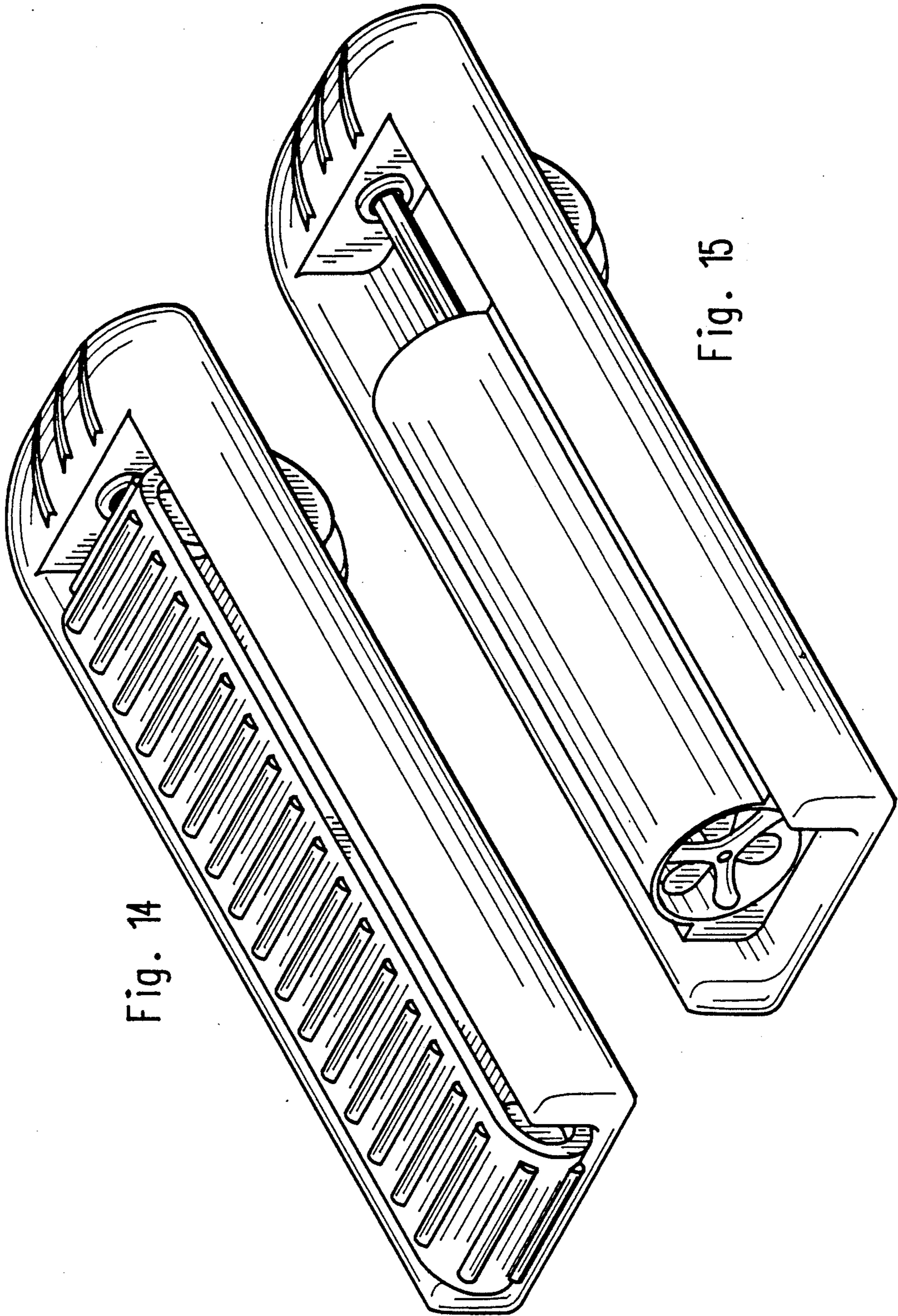


Fig. 14

Fig. 15