

[54] CYCLE EXERCISER 4,932,650 6/1990 Bingham et al. 272/73

[75] Inventors: Michael R. Byrd, Opelika; James F. Lucas, Auburn; Bruce F. Coody, Opelika, all of Ala.

[73] Assignee: Diversified Products Corporation, Opelika, Ala.

[**] Term: 14 Years

[21] Appl. No.: 420,218

[22] Filed: Oct. 12, 1989

[52] U.S. Cl. D21/194

[58] Field of Search D21/191-199; 272/70.3, 73, 132; 73/379

OTHER PUBLICATIONS

Schwinn Air-Dyne (Schwinn Fitness Catalog) (1987).
 Tailwind II ("Plaintiff's Exhibit 24A") (1988).
 Tailwind (Sears Ad) (1989).
 Panasonic "Pana Plus" (Panasonic Bicycles Catalog—p. 18).
 Vitamaster 79C (1987).
 Heartmate Windracer.
 Healthmaster 410 (#8141).
 13-0150 DP Shape Mate 1000.

Primary Examiner—Charles A. Rademaker
 Attorney, Agent, or Firm—Banner, Birch, McKie & Beckett

[56] References Cited
 U.S. PATENT DOCUMENTS

- D. 280,923 10/1985 Smith .
- D. 281,520 11/1985 Kliski .
- D. 289,669 5/1987 Kasuba .
- D. 291,462 8/1987 Aalto .
- D. 302,990 8/1989 Beistegui .
- D. 306,330 2/1990 Lucas .
- D. 307,167 4/1990 Lucas .
- 4,712,790 12/1987 Szymiski 272/73
- 4,838,544 6/1989 Sasakawa et al. 272/73
- 4,902,001 2/1990 Balbo 272/73

[57] CLAIM

The ornamental design for a cycle exerciser, as shown and described.

DESCRIPTION

FIG. 1 is a perspective view of a cycle exerciser showing our new design;
 FIG. 2 is a side elevational view thereof, the opposite side being substantially the mirror image of that shown;
 FIG. 3 is a front elevational view thereof;
 FIG. 4 is a rear elevational view thereof; and
 FIG. 5 is a top plan view thereof.

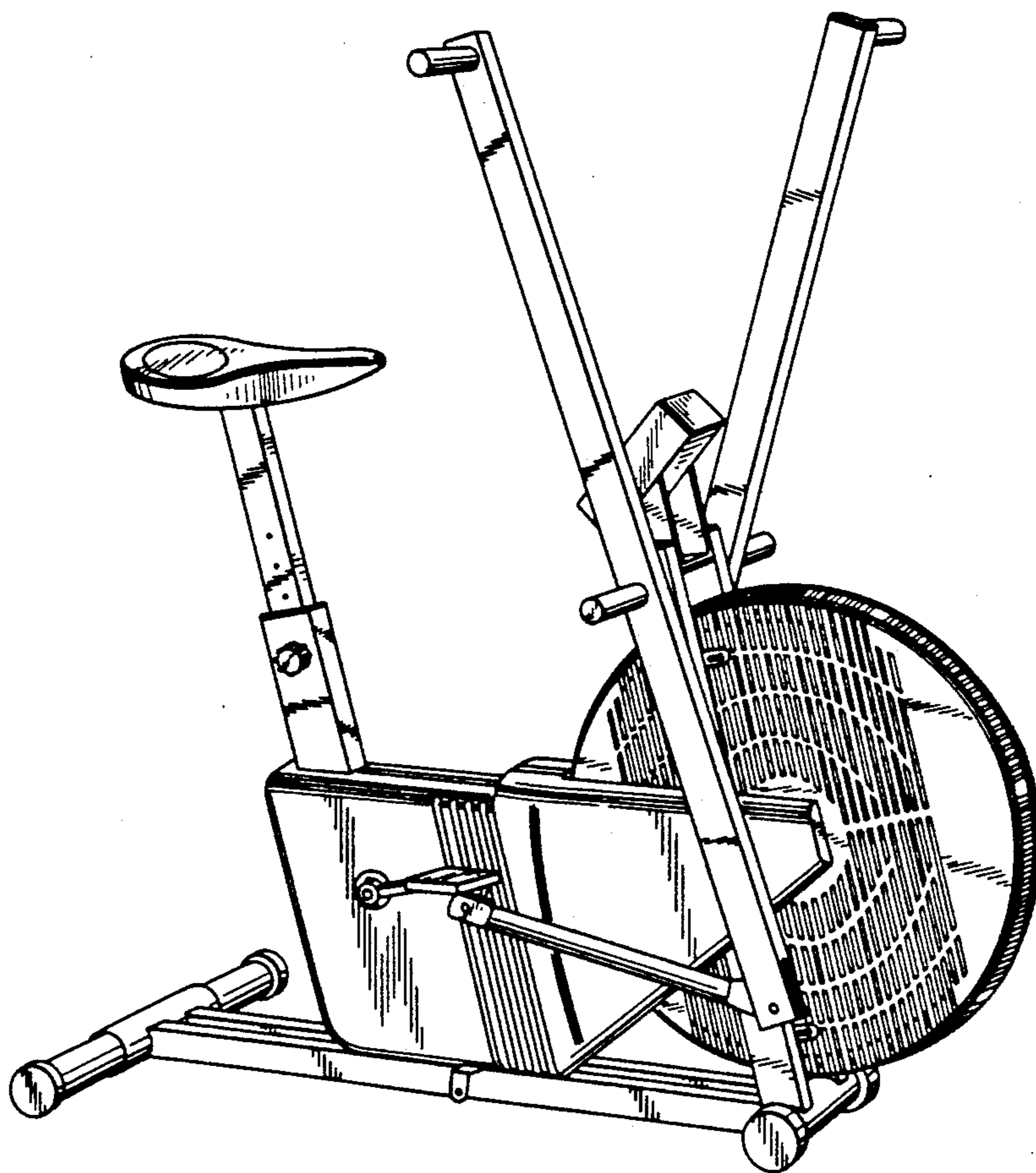


FIG. 1.

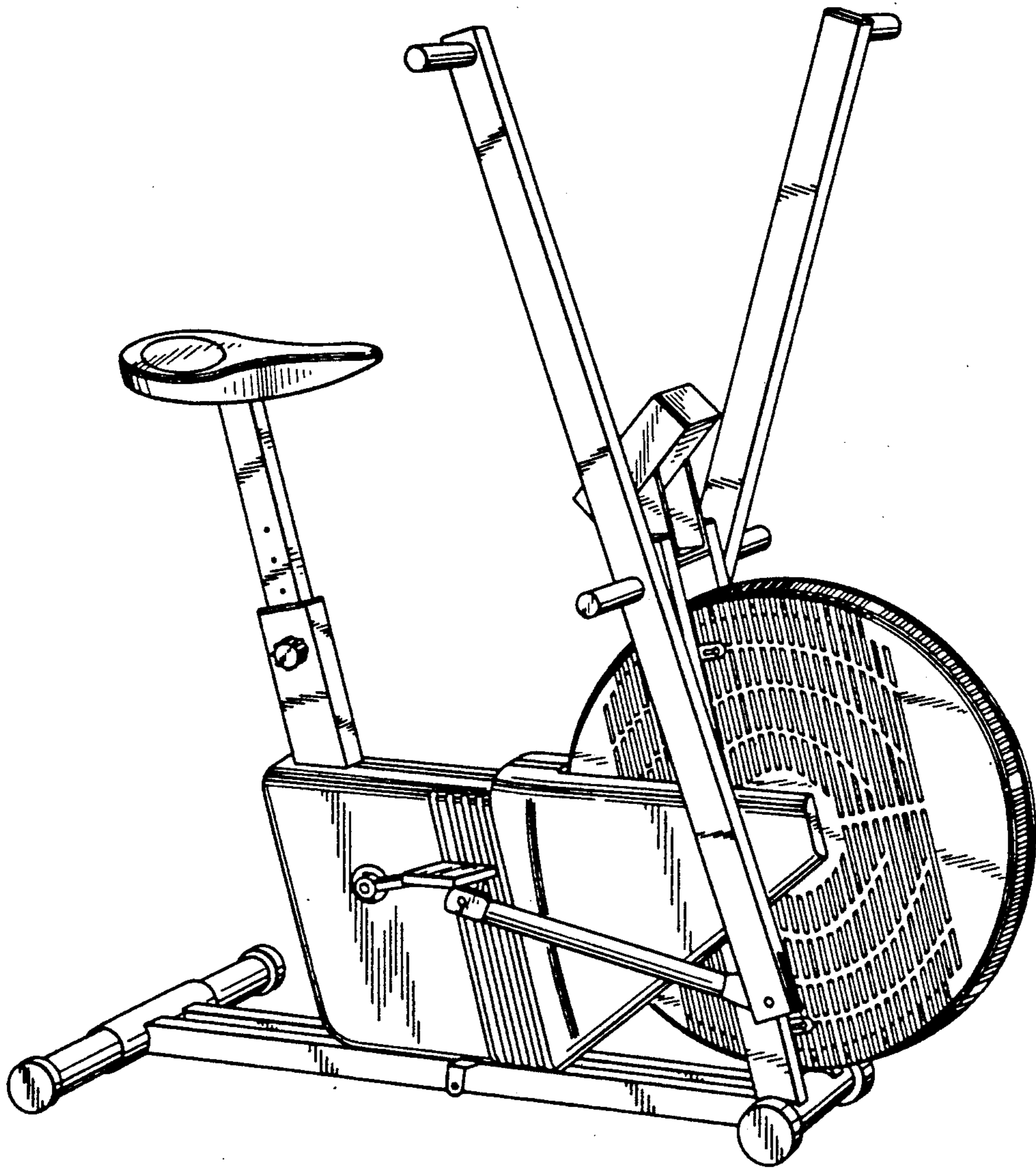


FIG. 2.

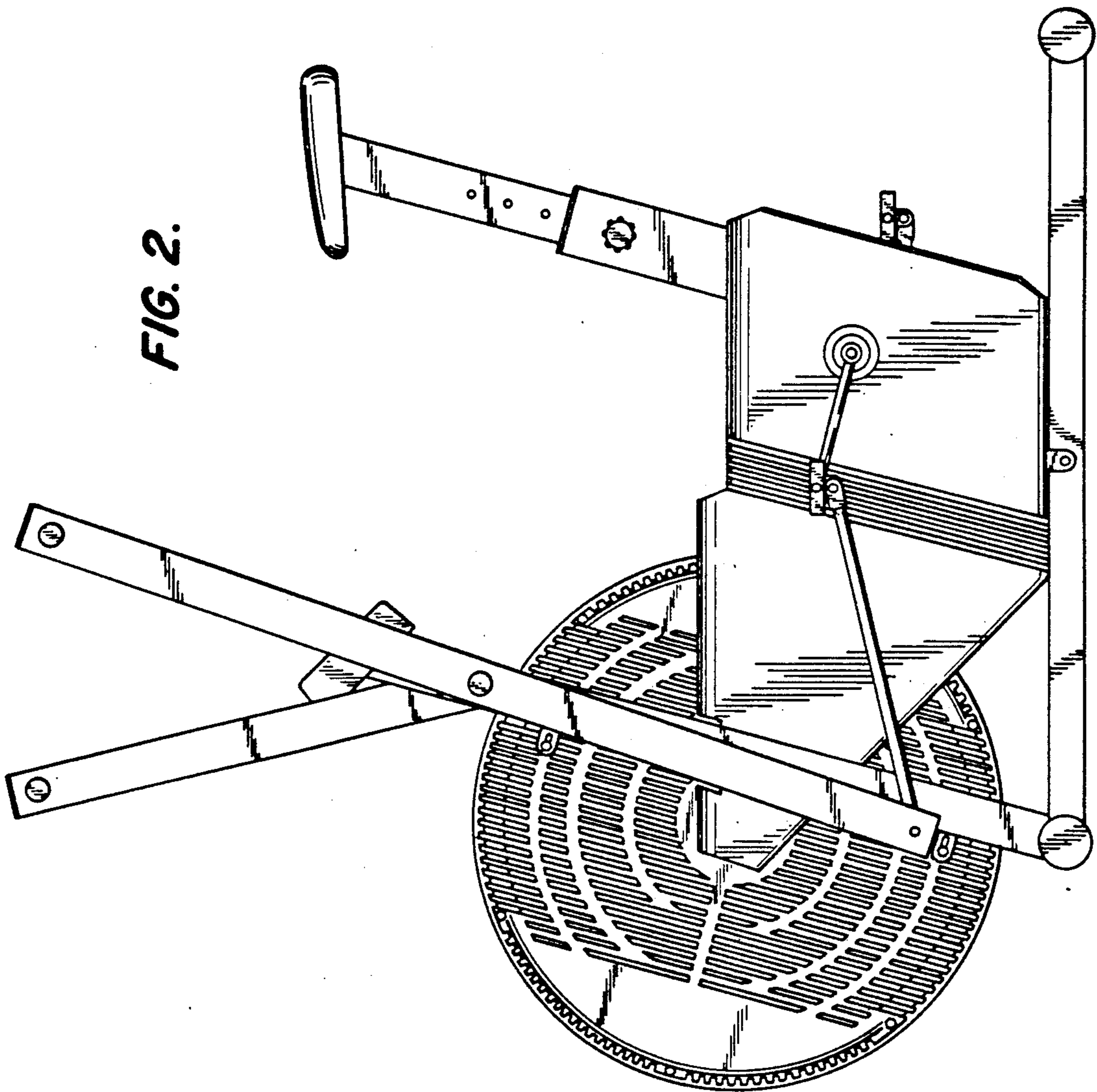


FIG. 3.

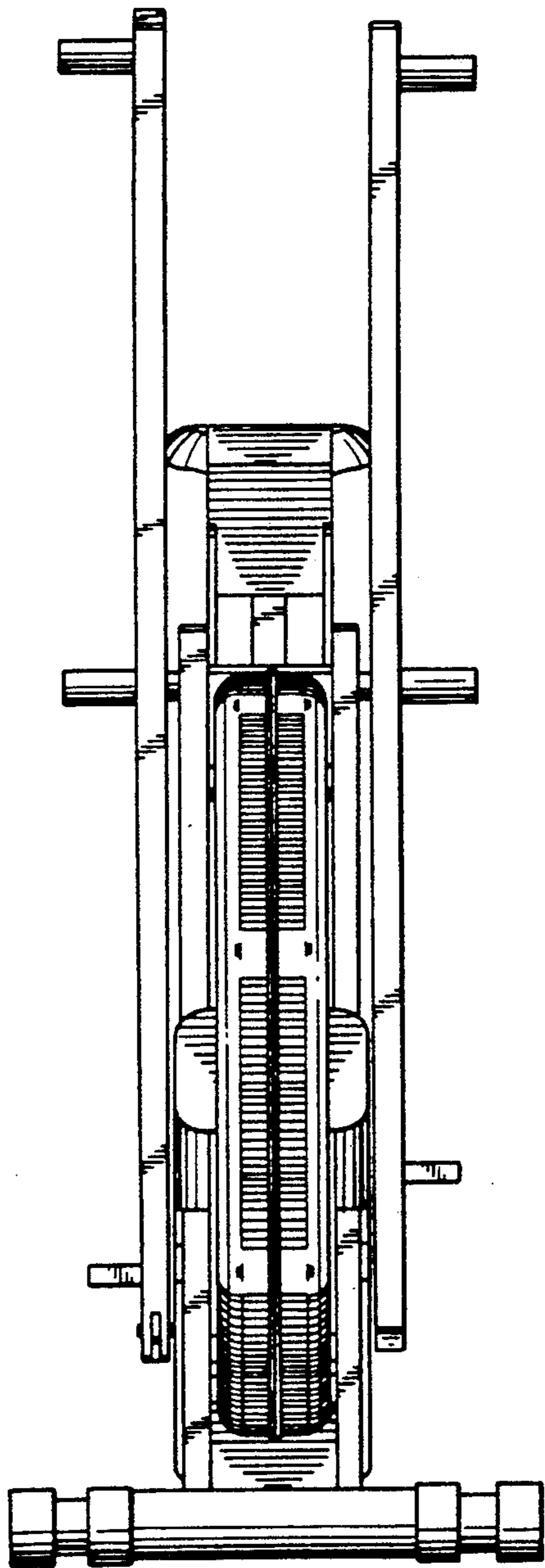


FIG. 4.

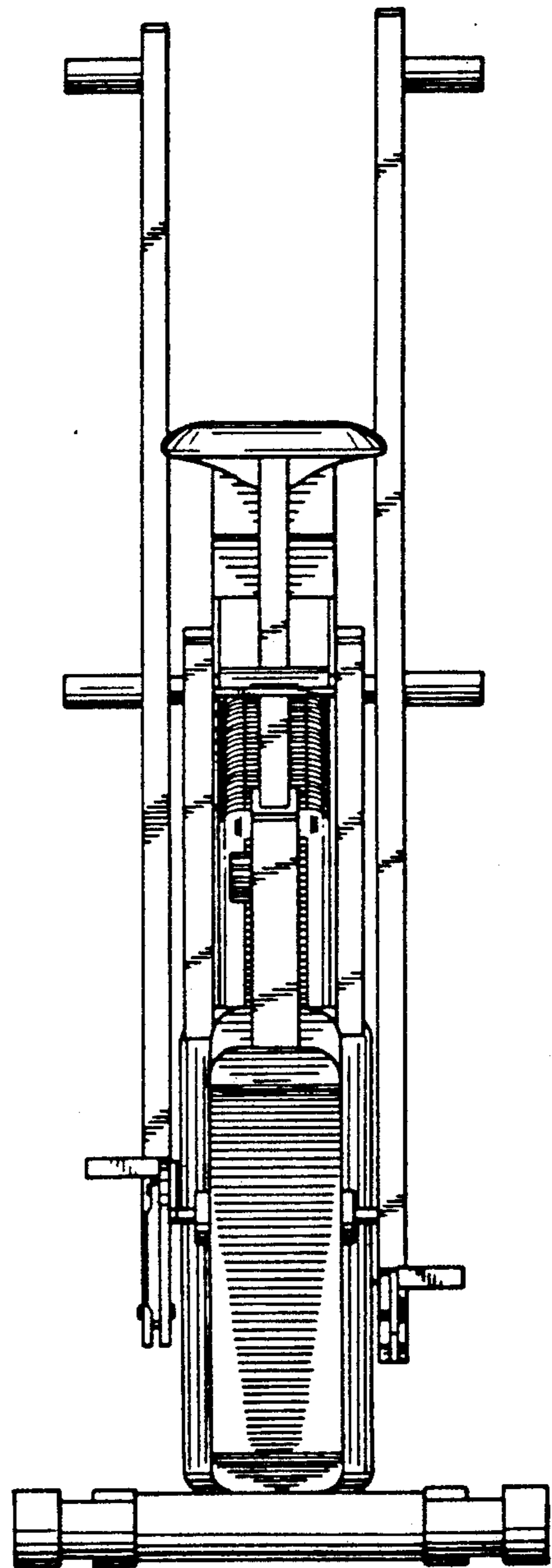


FIG. 5.

