

[54] ROTATABLE SIGN

4,972,614 11/1990 Hector ..... 40/479

[76] Inventor: Francis N. Hector, Sr., P.O. Box 81024, Las Vegas, Nev. 89180

[\*\*] Term: 14 Years

[21] Appl. No.: 428,645

[22] Filed: Oct. 30, 1989

[52] U.S. Cl. .... D20/21

[58] Field of Search ..... D20/10, 21, 17, 41; 40/124.1, 152.1, 152, 479, 493, 624, 617

[56] References Cited

U.S. PATENT DOCUMENTS

D. 193,758	10/1962	Blommel, Jr. ....	D20/41
1,930,018	10/1933	Norman .....	40/624
2,050,779	8/1936	Blanchard .....	D10/111
2,993,287	7/1961	Goesle .....	D20/21
3,088,235	5/1963	Kies .....	D20/21
3,579,880	5/1971	Murphy .....	40/493
3,636,912	1/1972	Kamp .....	40/479
4,910,898	3/1990	Hector .....	40/479

OTHER PUBLICATIONS

Signs of the Times, Jun. 1988, p. 153, single poles outdoor display sign.

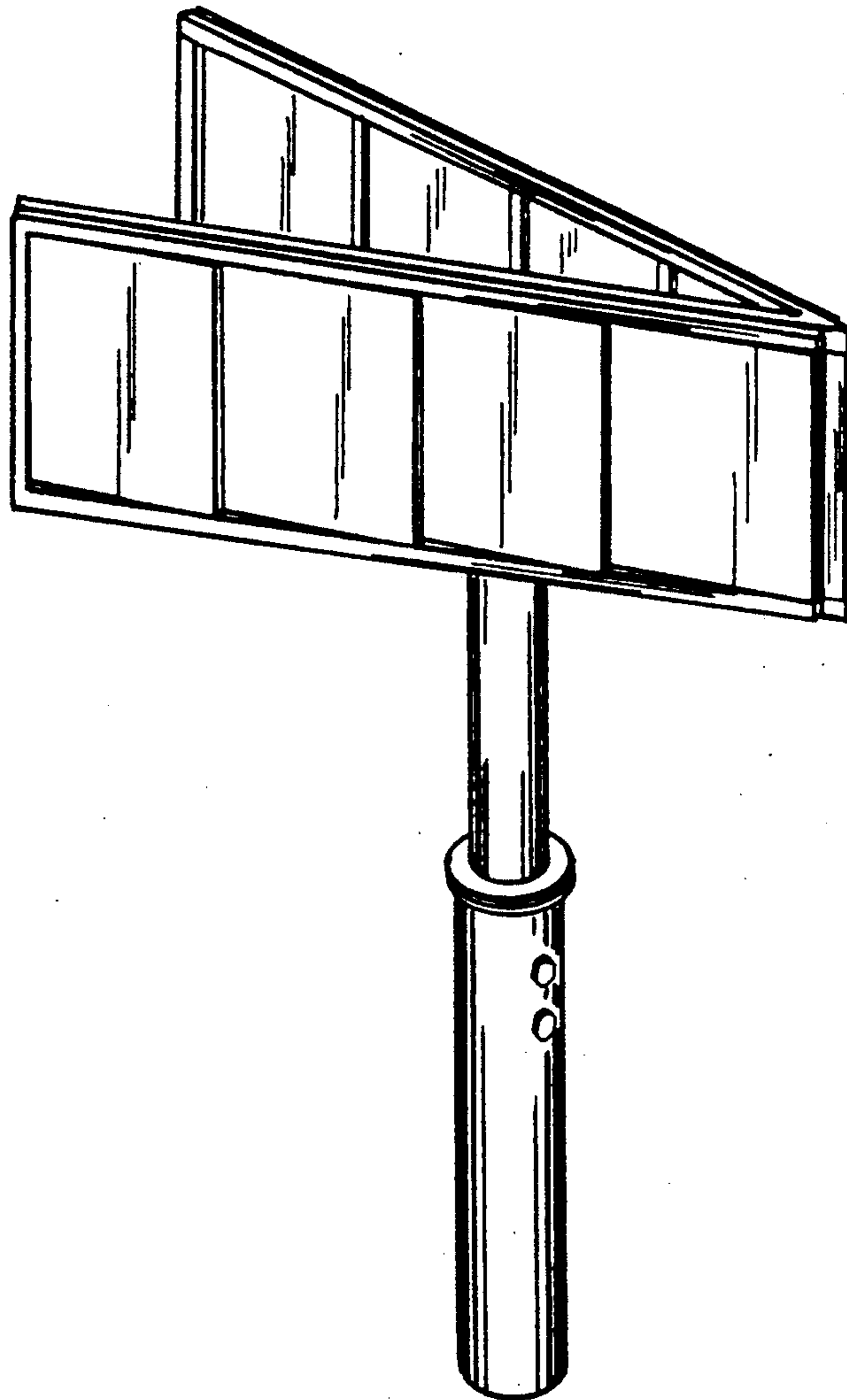
Primary Examiner—Wallace R. Burke  
Assistant Examiner—Marcus Jackson  
Attorney, Agent, or Firm—George A. Bode

[57] CLAIM

The ornamental design for a rotatable sign, as shown and described.

DESCRIPTION

FIG. 1 is a top plan view of a rotatable sign showing my new design;  
FIG. 2 is a front elevational view thereof;  
FIG. 3 is a bottom plan view thereof;  
FIG. 4 is a rear elevational view thereof;  
FIG. 5 is a left side elevational view thereof;  
FIG. 6 is a right side elevational view thereof, FIG. 6 being the side opposite FIG. 5; and,  
FIG. 7 is a top perspective view thereof.



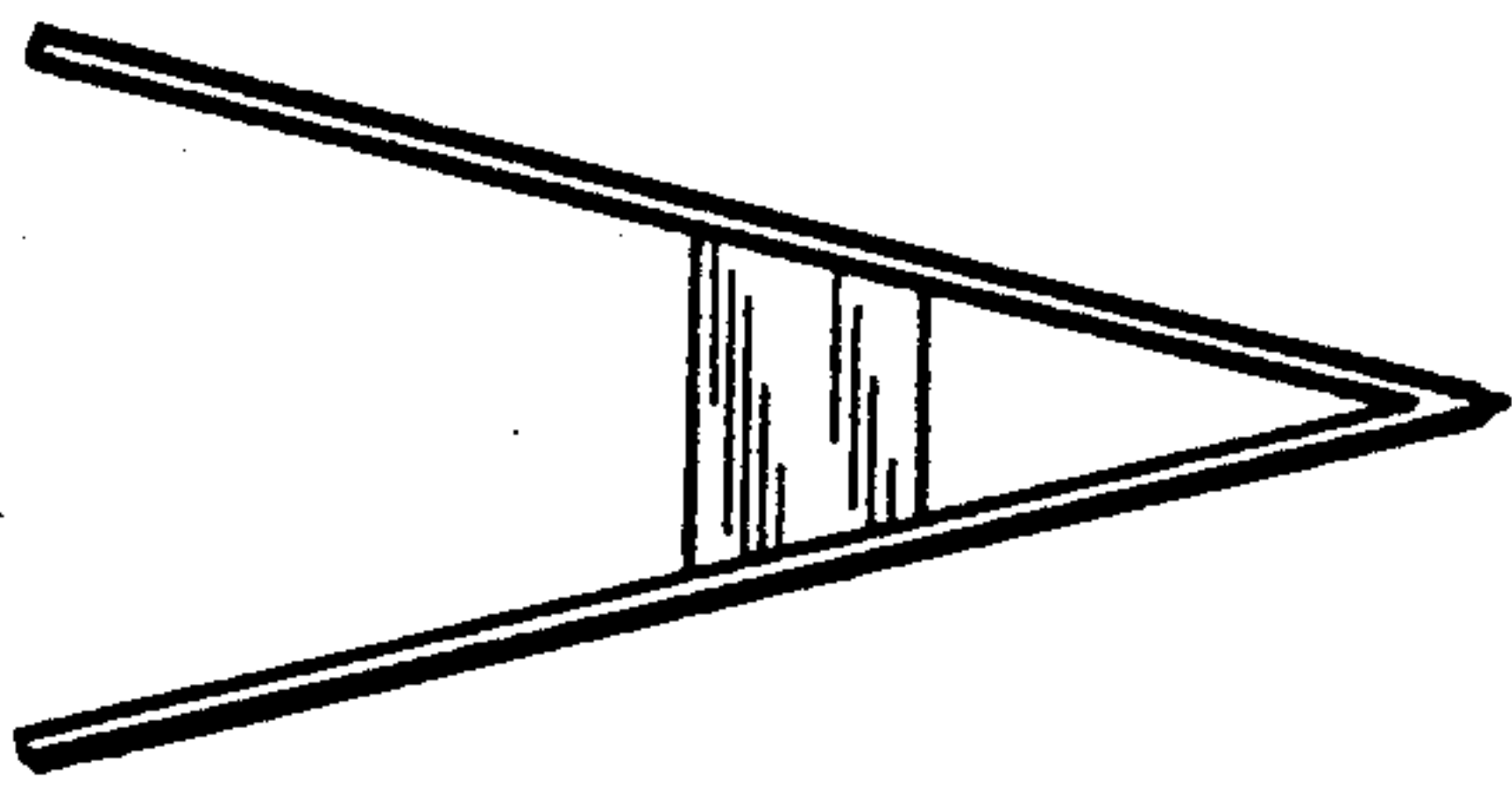


FIG. 1

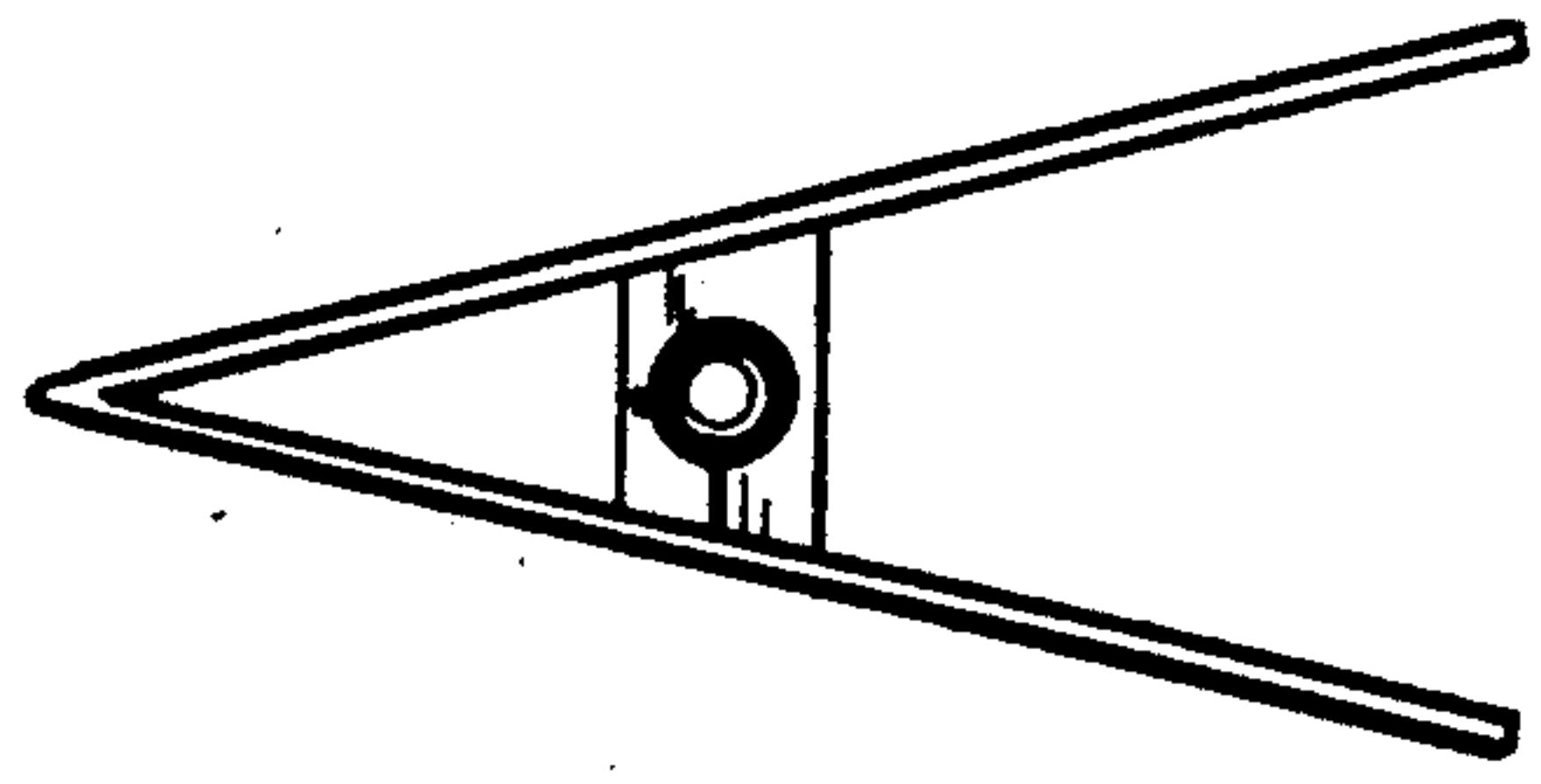


FIG. 3

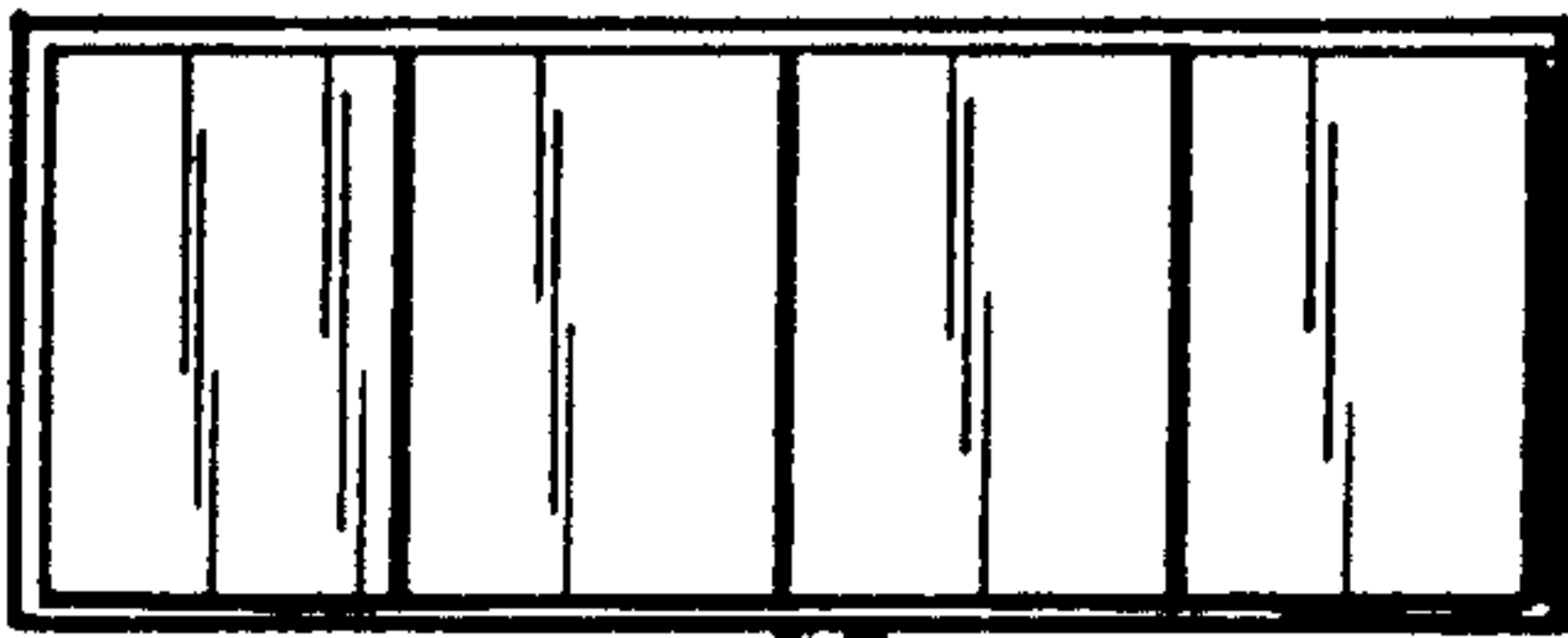


FIG. 2

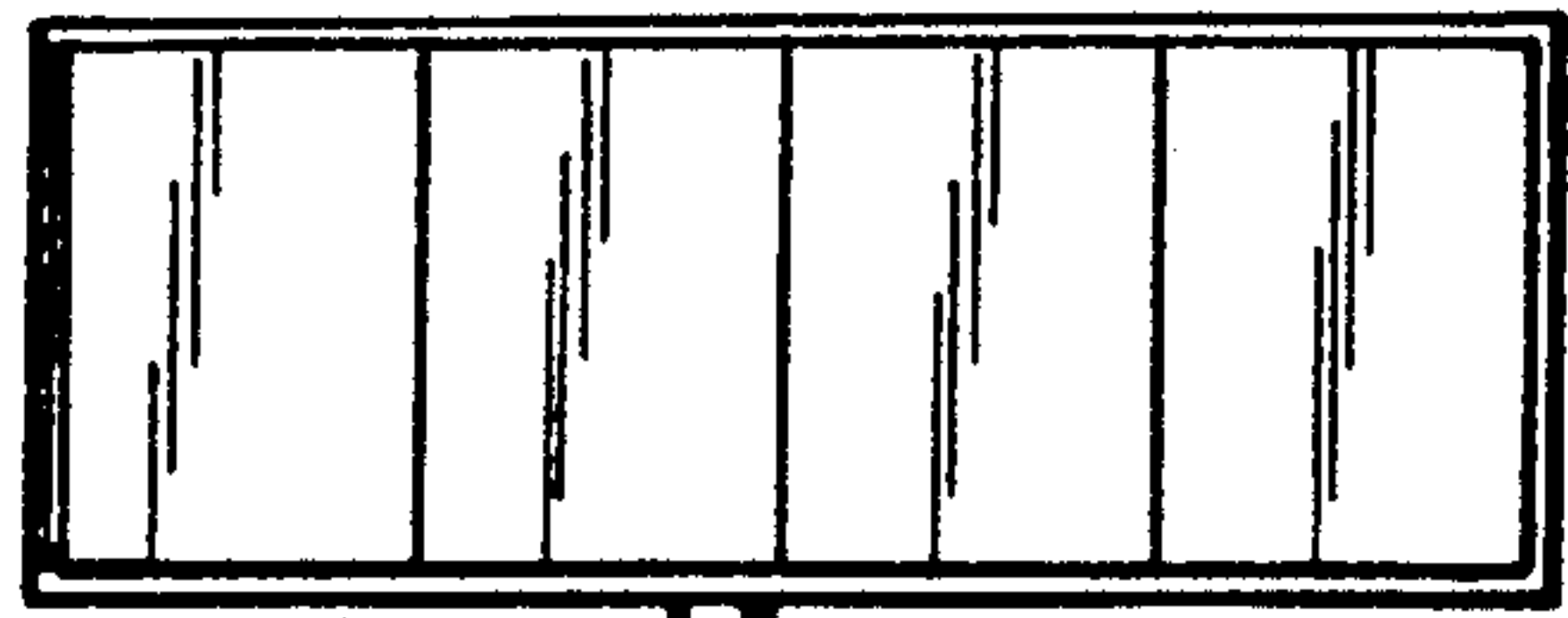


FIG. 4



FIG. 5



FIG. 6

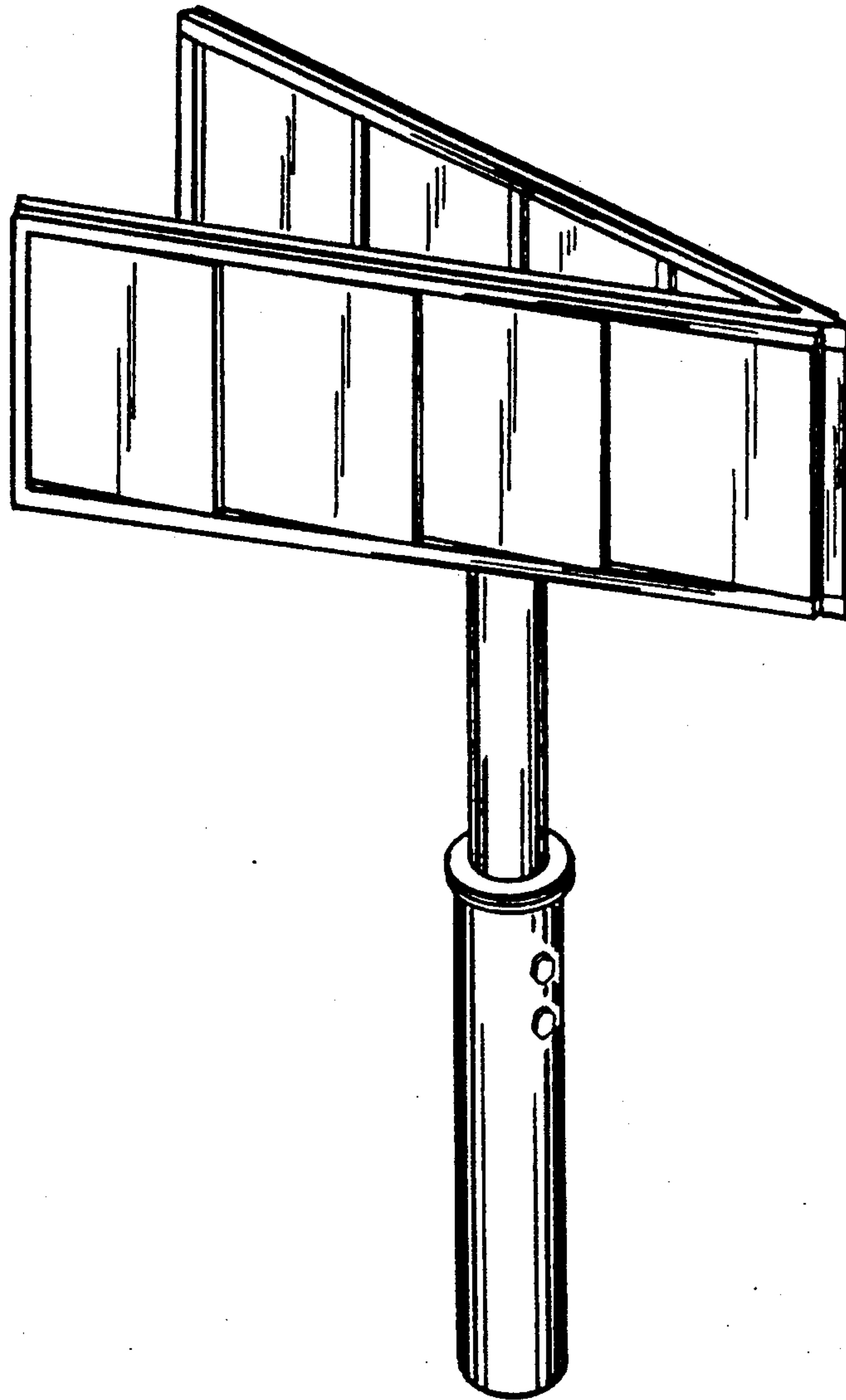


FIG. 7