

[54] **WALL-MOUNTABLE TAPE DISPENSER**

[75] **Inventor: Jerrilyn C. Kiyokane, Seal Beach, Calif.**

[73] **Assignee: Namkung Promotions, Inc., Costa Mesa, Calif.**

[\*\*] **Term: 14 Years**

[21] **Appl. No.: 267,771**

[22] **Filed: Nov. 7, 1988**

[52] **U.S. Cl. .... D19/69; D19/67**

[58] **Field of Search ..... D19/67, 68, 69; D9/414, D9/415; 225/6, 39, 44, 45, 65, 77, 88; 312/39**

[56] **References Cited**

**U.S. PATENT DOCUMENTS**

- D. 16,253 9/1885 Meyer ..... D19/414
- D. 139,665 12/1944 Kahn ..... D19/69
- D. 188,519 8/1960 Gershen ..... D19/69
- D. 190,396 5/1961 Robinson ..... D9/415

- D. 276,354 11/1984 Spitzer ..... D19/69
- D. 298,440 11/1988 Kida ..... D19/69
- 910,808 1/1909 Francis ..... D19/69 X
- 3,930,697 1/1976 Barouh et al. .... 312/39

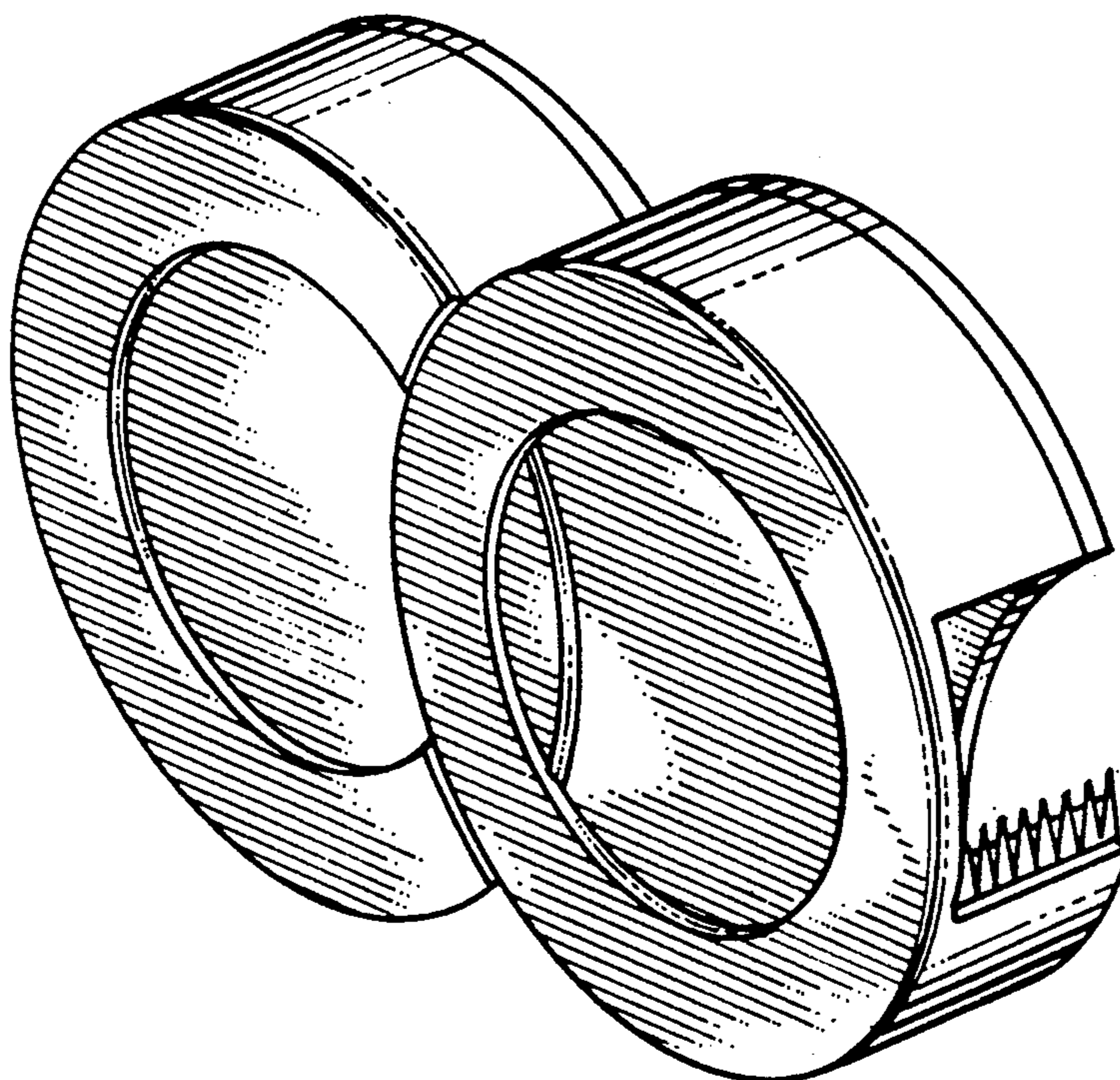
*Primary Examiner*—Bruce W. Dunkins  
*Assistant Examiner*—Martha Thompson  
*Attorney, Agent, or Firm*—James E. Brunton

[57] **CLAIM**

The ornamental design for a wall-mountable tape dispenser, as shown and described.

**DESCRIPTION**

FIG. 1 is a front perspective view of a wall-mountable tape dispenser showing my new design; FIG. 2 is a right side elevational view; FIG. 3 is a front elevational view; FIG. 4 is a top plan view; FIG. 5 is a left side elevational view; FIG. 6 is a rear elevational view; FIG. 7 is a bottom plan view; and FIG. 8 is a rear perspective view thereof.



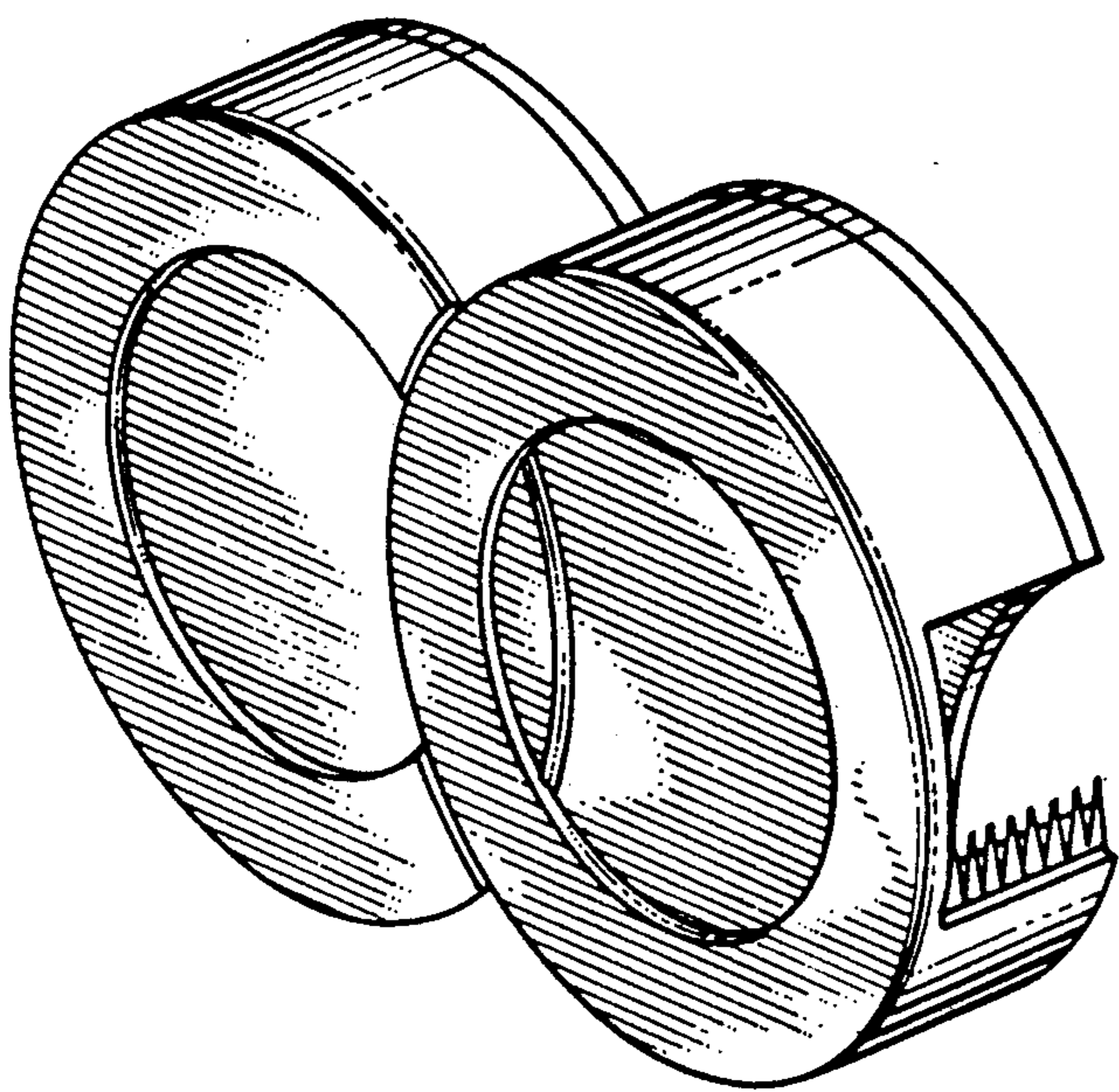


FIG. 1

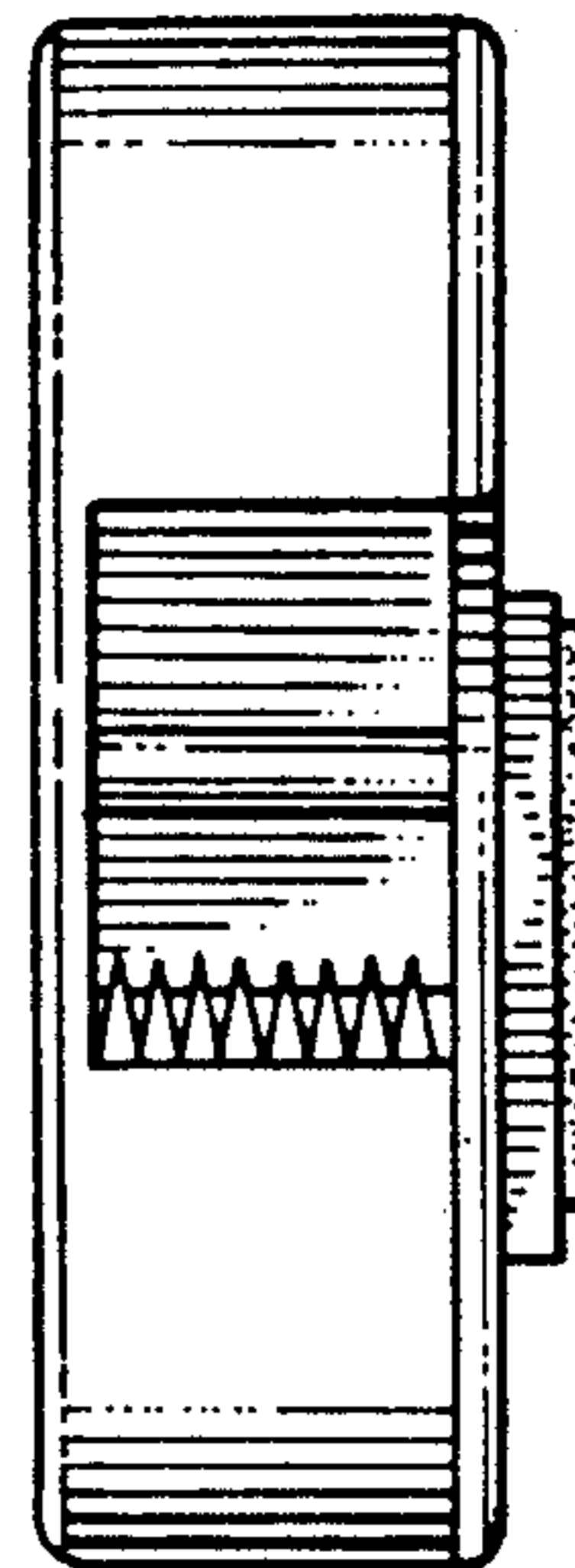


FIG. 2

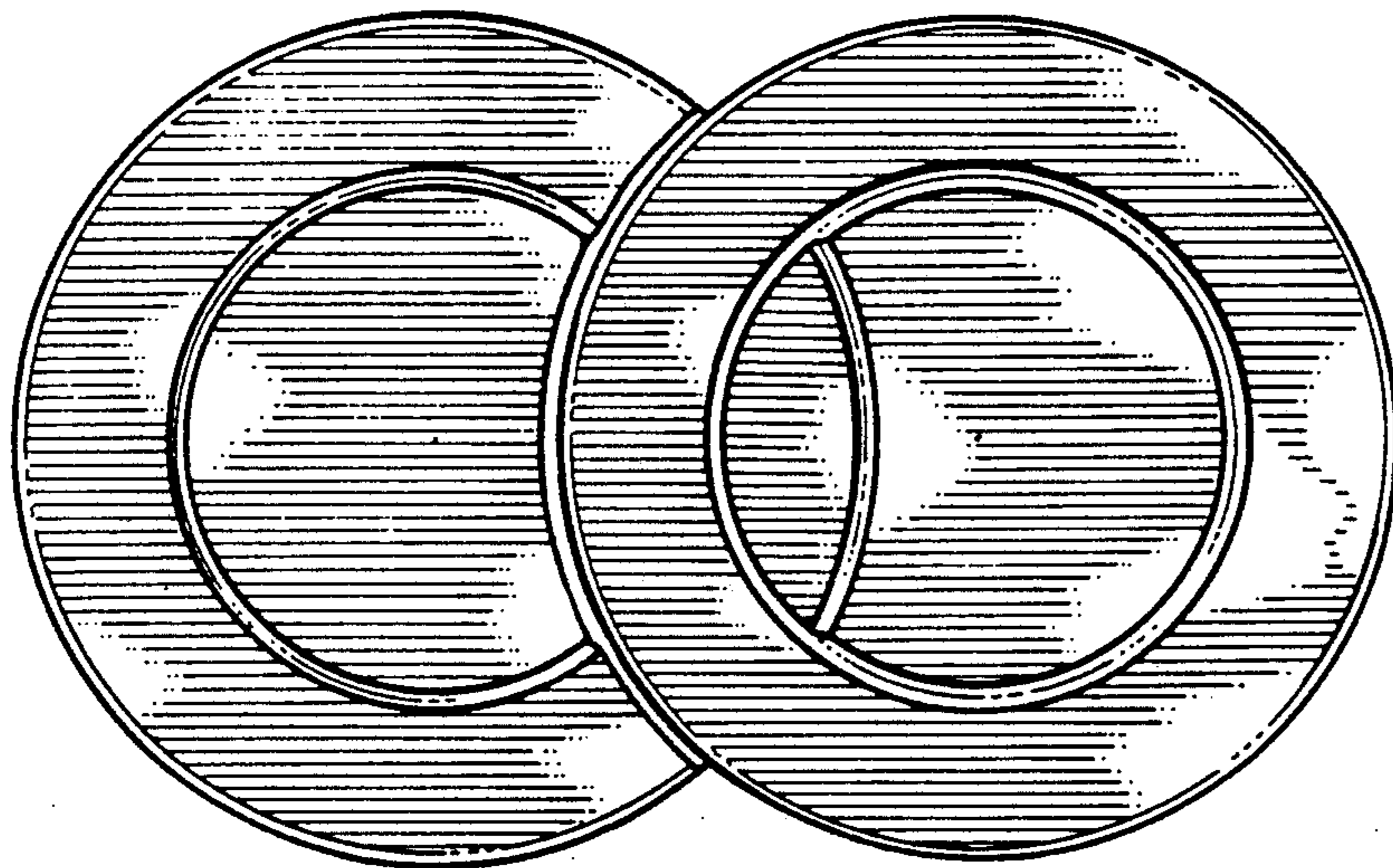


FIG. 3

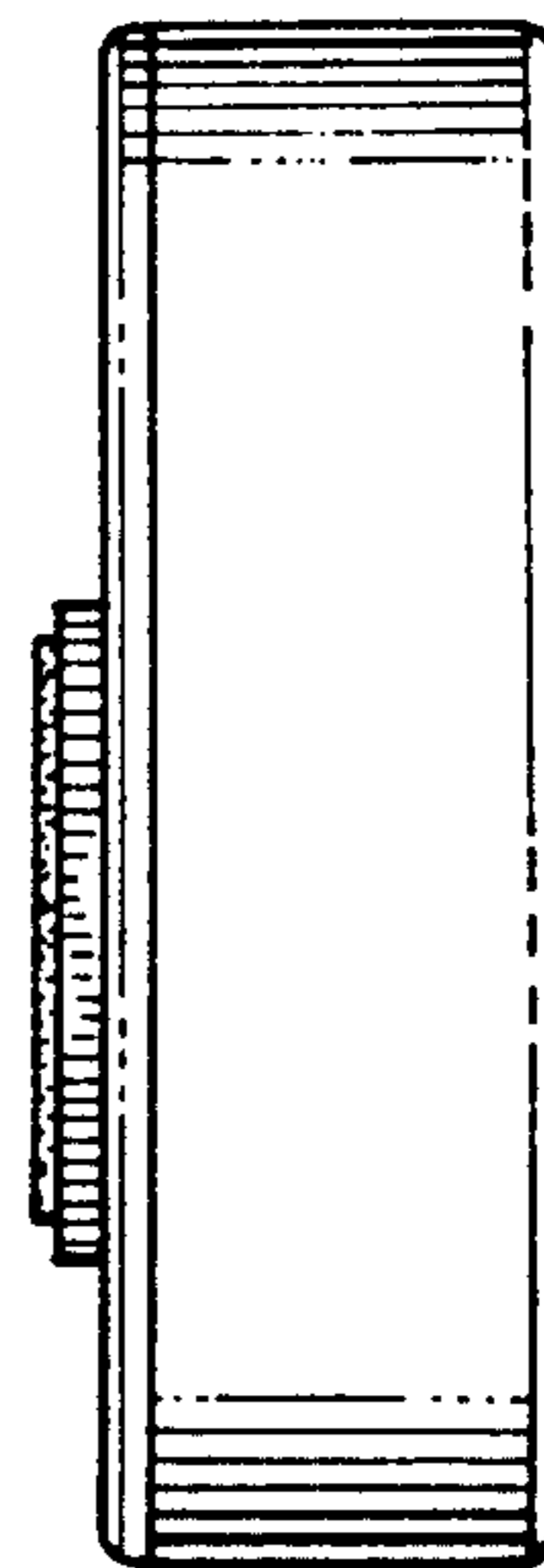


FIG. 5

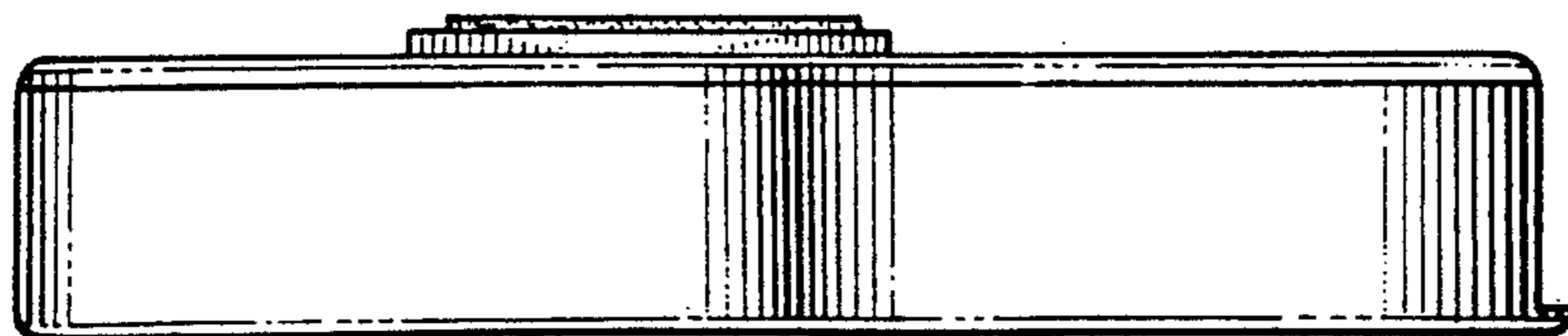


FIG. 4

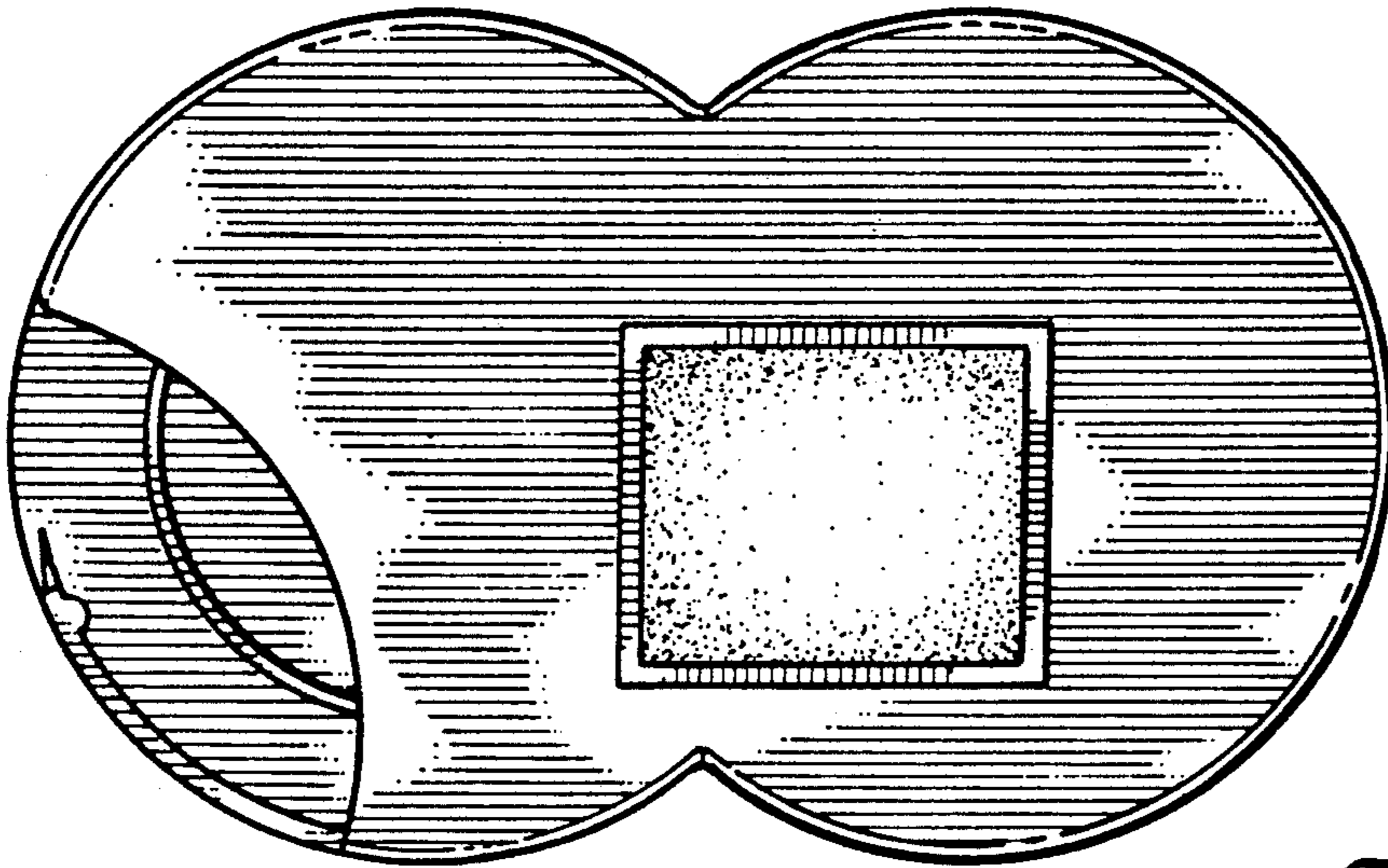


FIG. 6

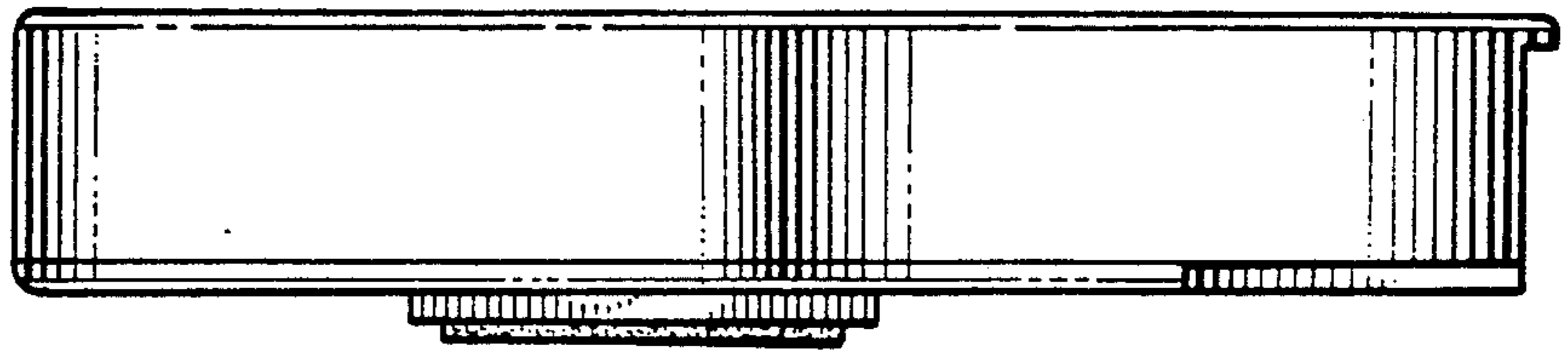


FIG. 7

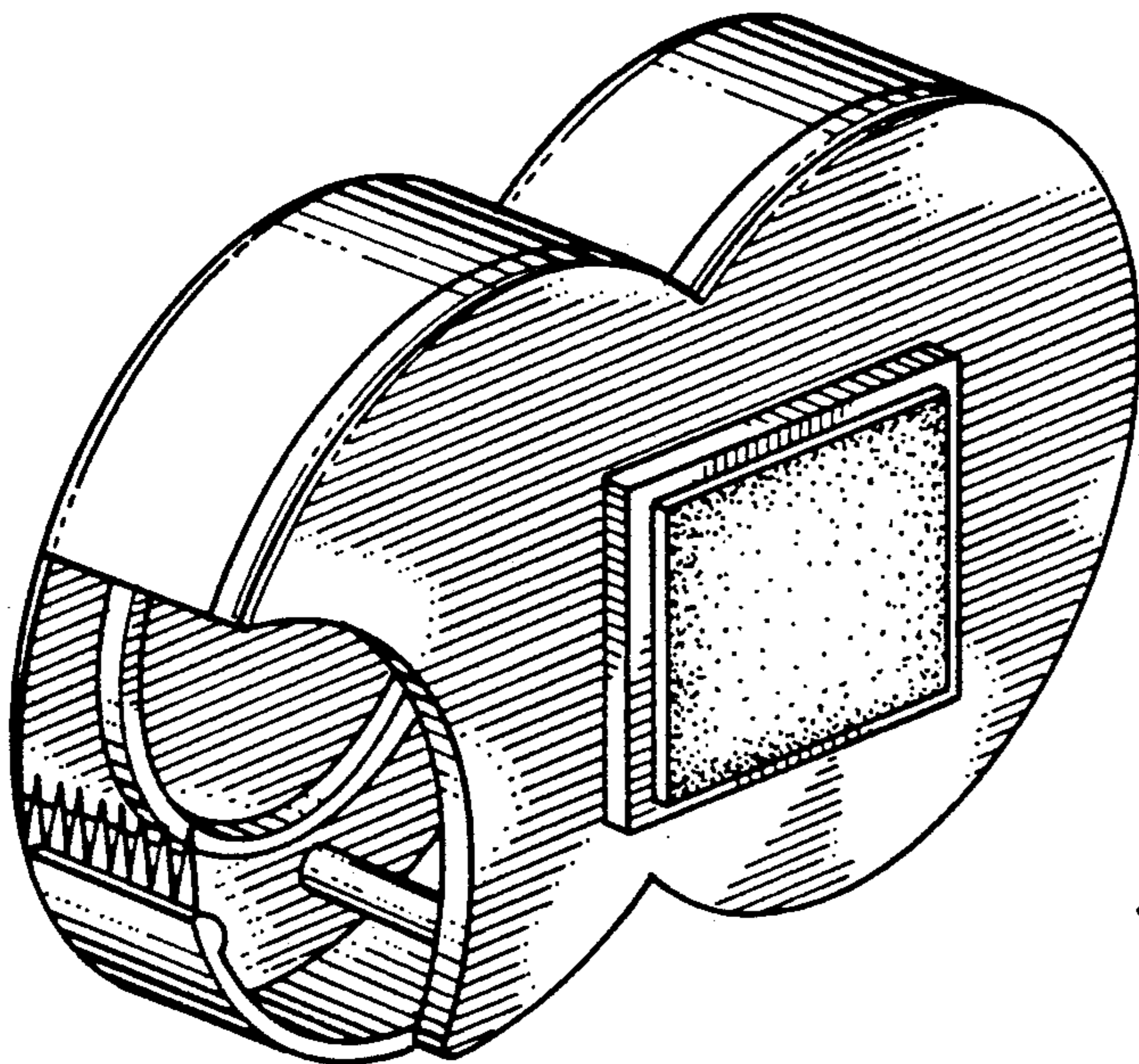


FIG. 8