

[54] RECORDING PEN

[75] Inventors: Toshio Kimura; Shigenobu Miyamoto, both of Tokyo, Japan

[73] Assignee: Yokogawa Electric Corporation, Tokyo, Japan

[\*\*] Term: 14 Years

[21] Appl. No.: 291,193

[22] Filed: Dec. 28, 1988

[52] U.S. Cl. .... D19/41

[58] Field of Search ..... D14/114; D19/35, 41; D18/13, 22, 36, 40; 346/32, 139 C, 140 A

[56] References Cited

U.S. PATENT DOCUMENTS

D. 244,025	4/1977	Raahauge .....	D19/41
D. 246,722	12/1977	Raahauge .....	D19/41
D. 265,838	8/1982	Dunning .....	D19/41
3,504,369	3/1970	Kashkin, Jr. et al. ....	346/32
3,934,255	1/1976	Taylor .....	346/140 A
4,482,904	11/1984	Geiger .....	346/140 A

Primary Examiner—Theodore M. Shooman  
Attorney, Agent, or Firm—Moonray Kojima

[57] CLAIM

The ornamental design for a recording pen, as shown.

DESCRIPTION

FIG. 1 is a top perspective view of a recording pen, showing our new design; and FIG. 2 is a bottom perspective view thereof.

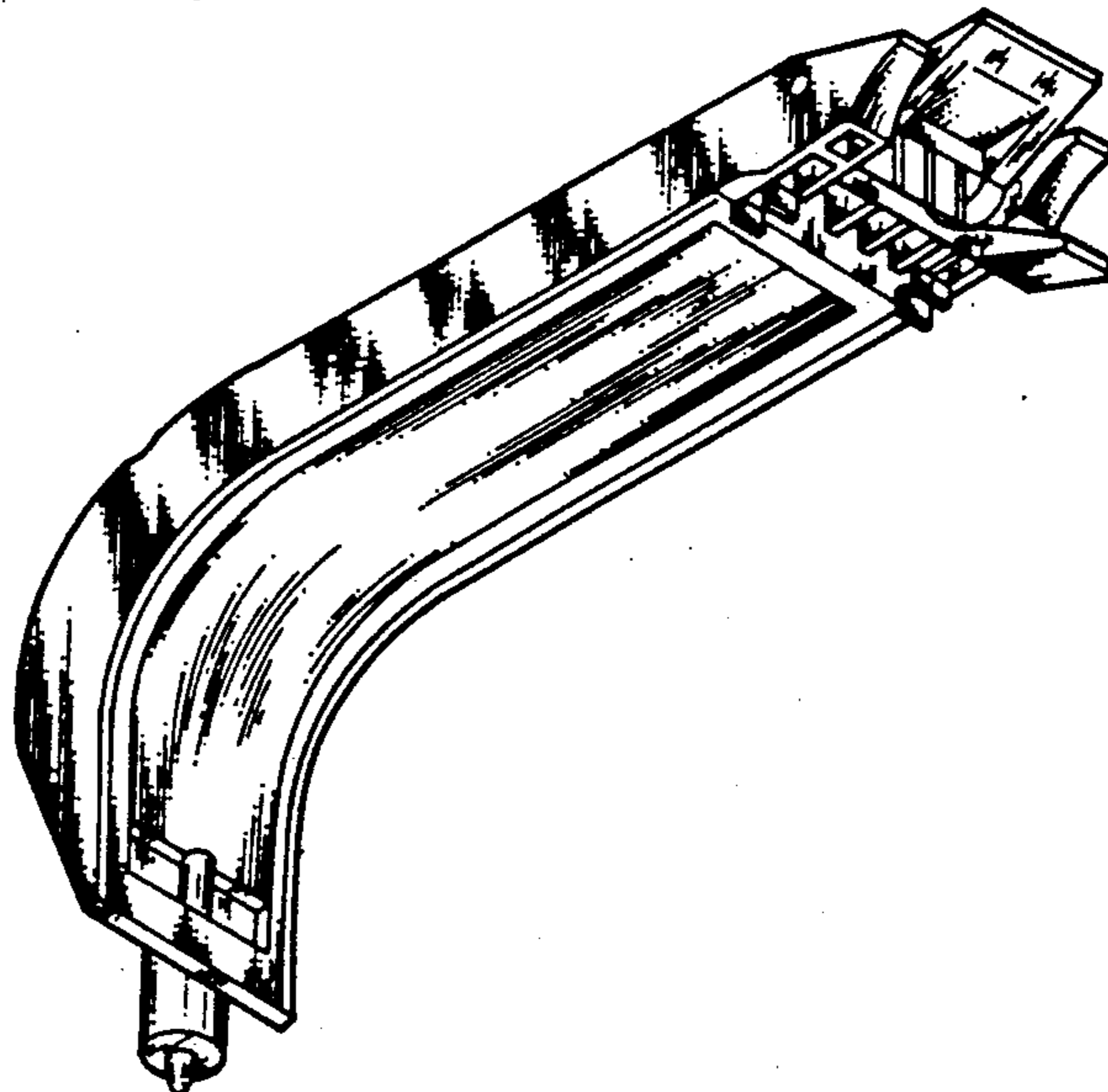
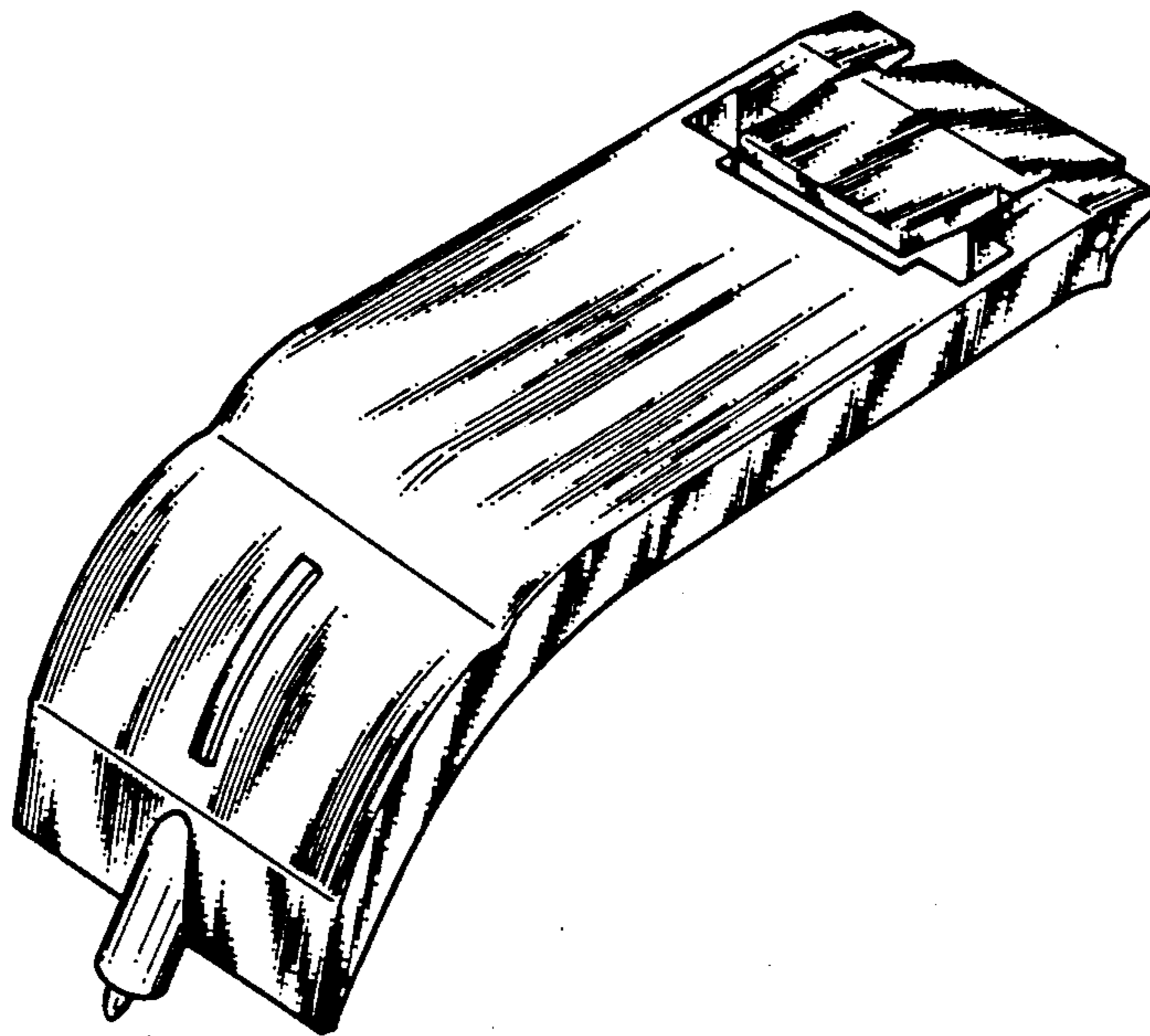


Fig.1

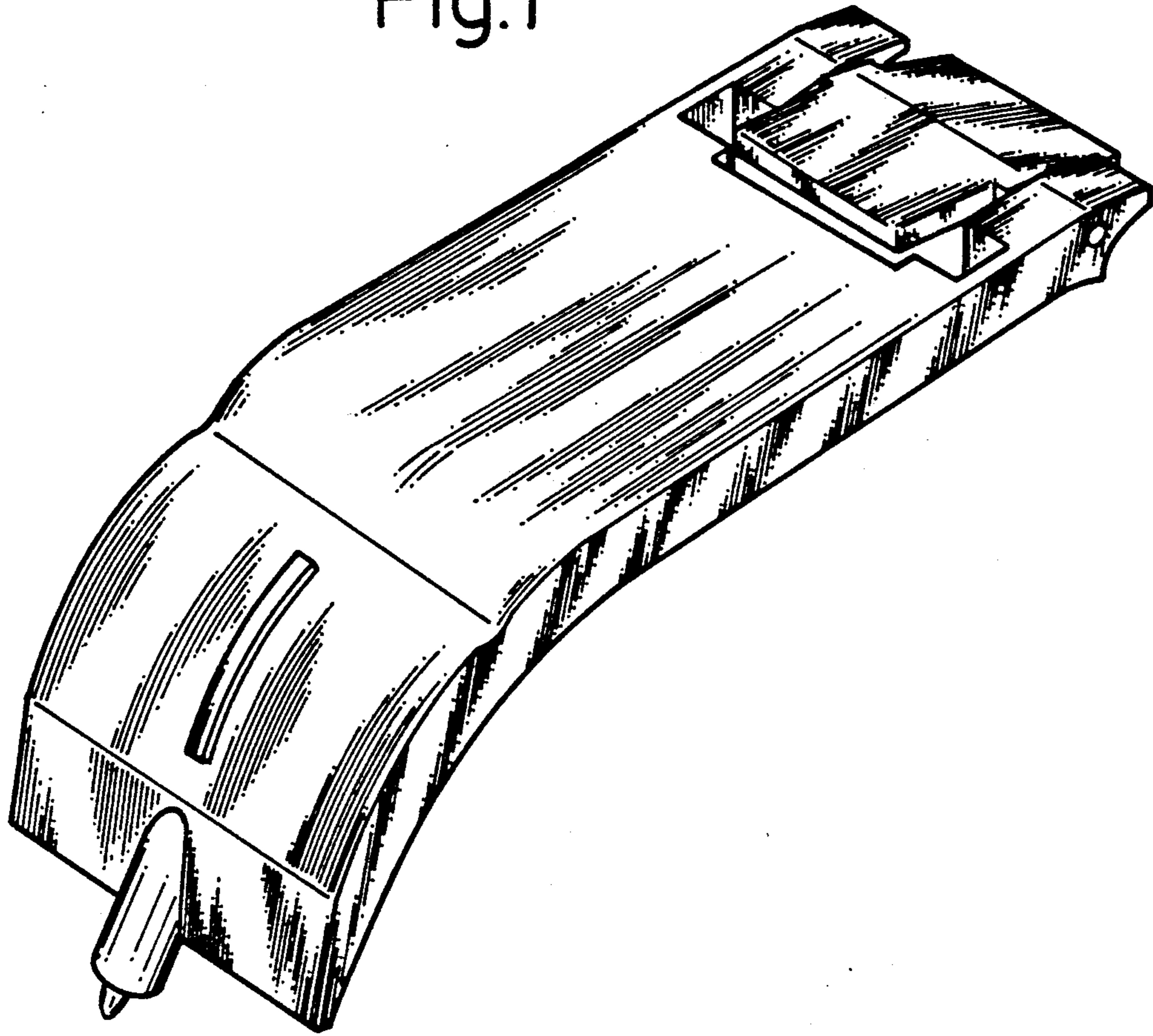


Fig.2

